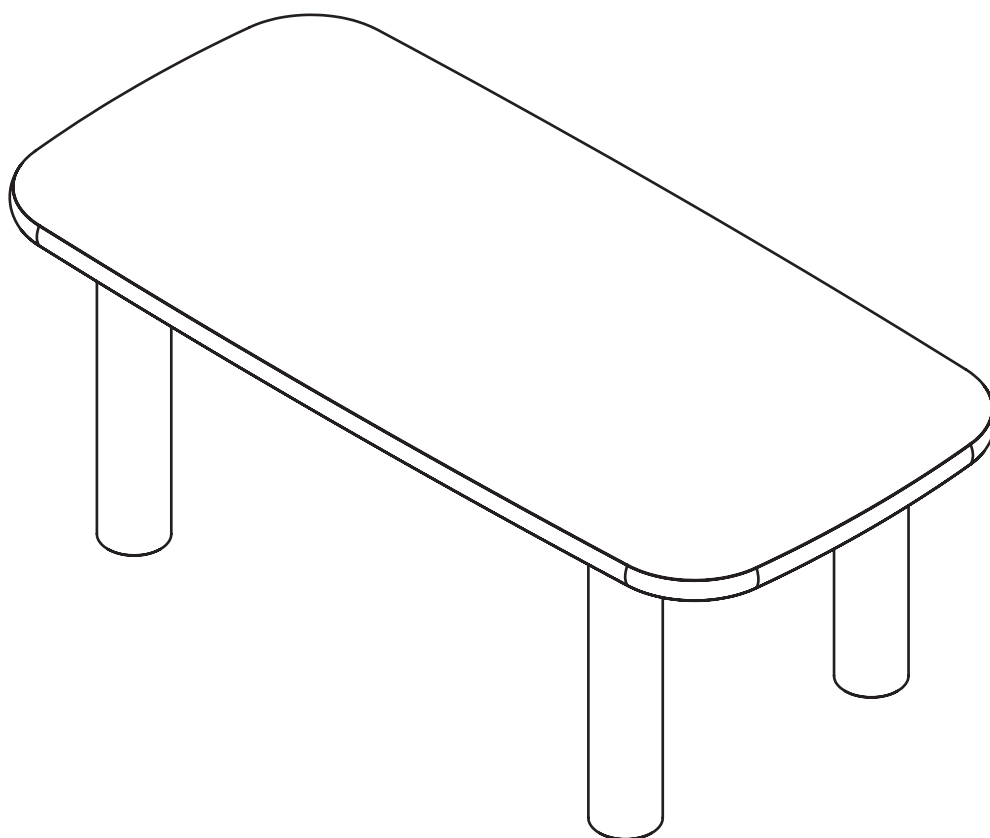


ARTICLE.

VERSION 1.0

Assembly Instructions



ADEL

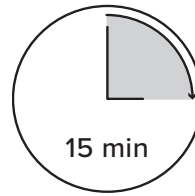
Dining Table For 6

ASSEMBLY INSTRUCTIONS

Read these instructions carefully and keep for future reference. Refer to parts inventory for guidance, and ensure you have all pieces before starting.

When assembling, place all parts on a soft, clean, and flat surface such as a carpet to prevent scratches.

If you're having difficulty, our friendly Customer Care team is always here to help. Call us at **1.888.746.3455** during business hours, email service@article.com or chat live at [article.com](https://www.article.com).

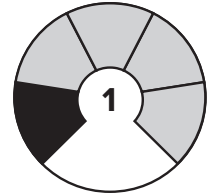


15 min

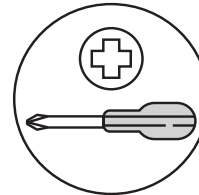
TIME



OF PEOPLE



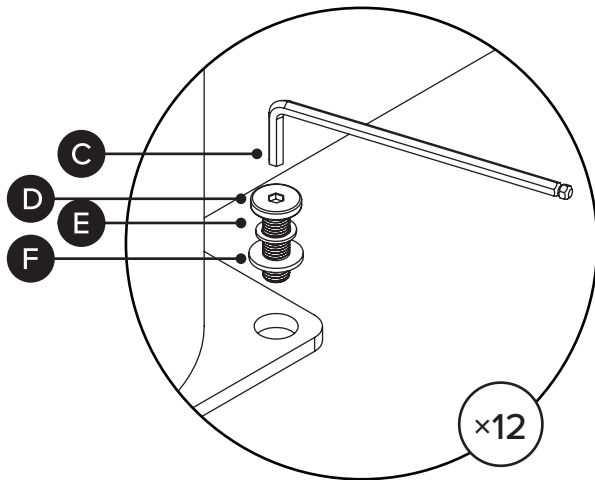
DIFFICULTY



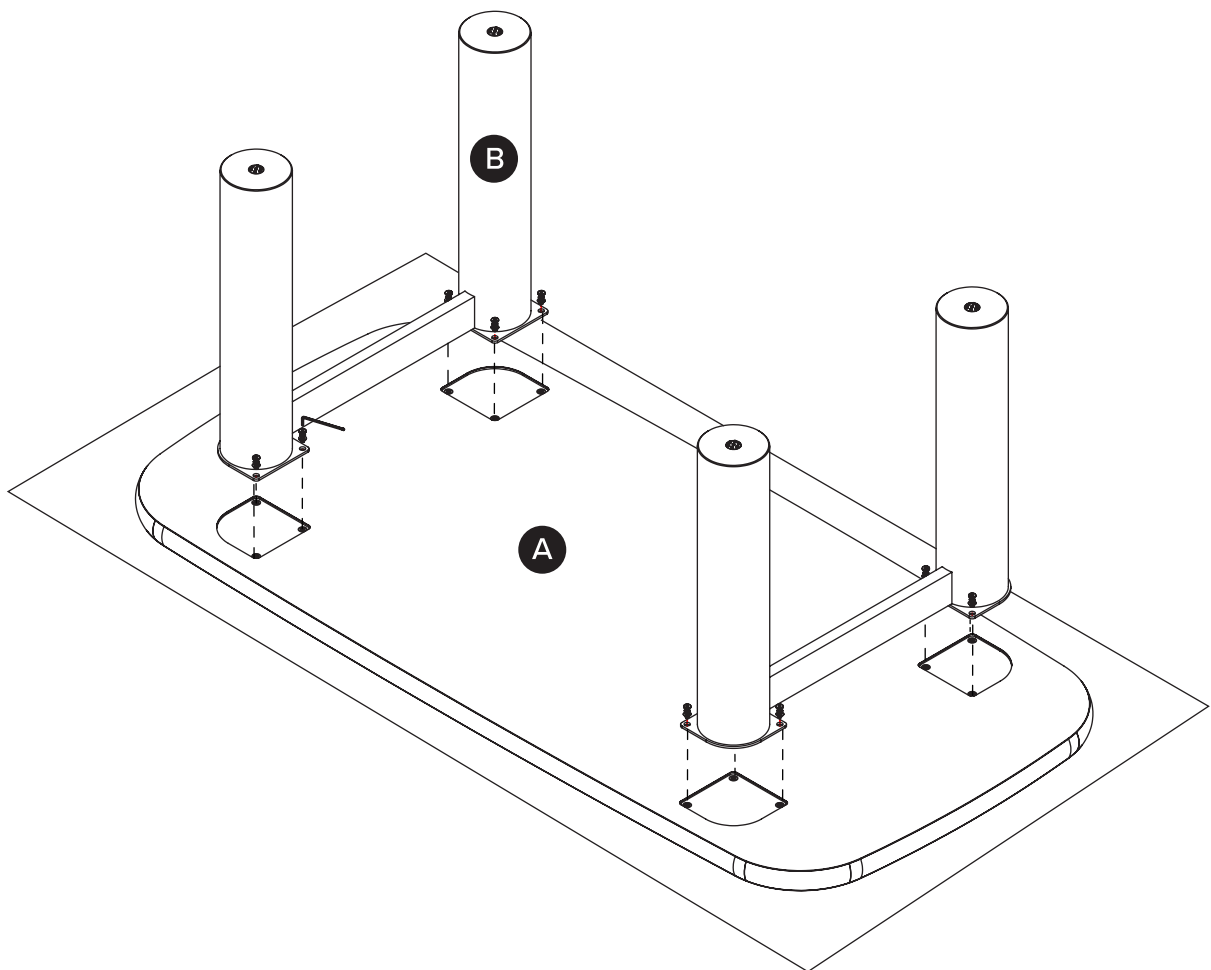
REQUIRED TOOL

PARTS INVENTORY		
ID	DESCRIPTION	QTY
A	TABLE TOP	1
B	LEG	2
C	ALLEN KEY	1
D	M8 × 25MM BOLT	12
E	LOCK WASHER	12
F	WASHER	12

1

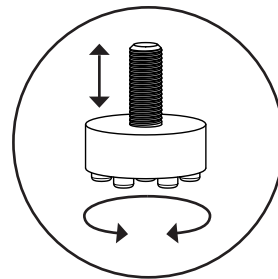
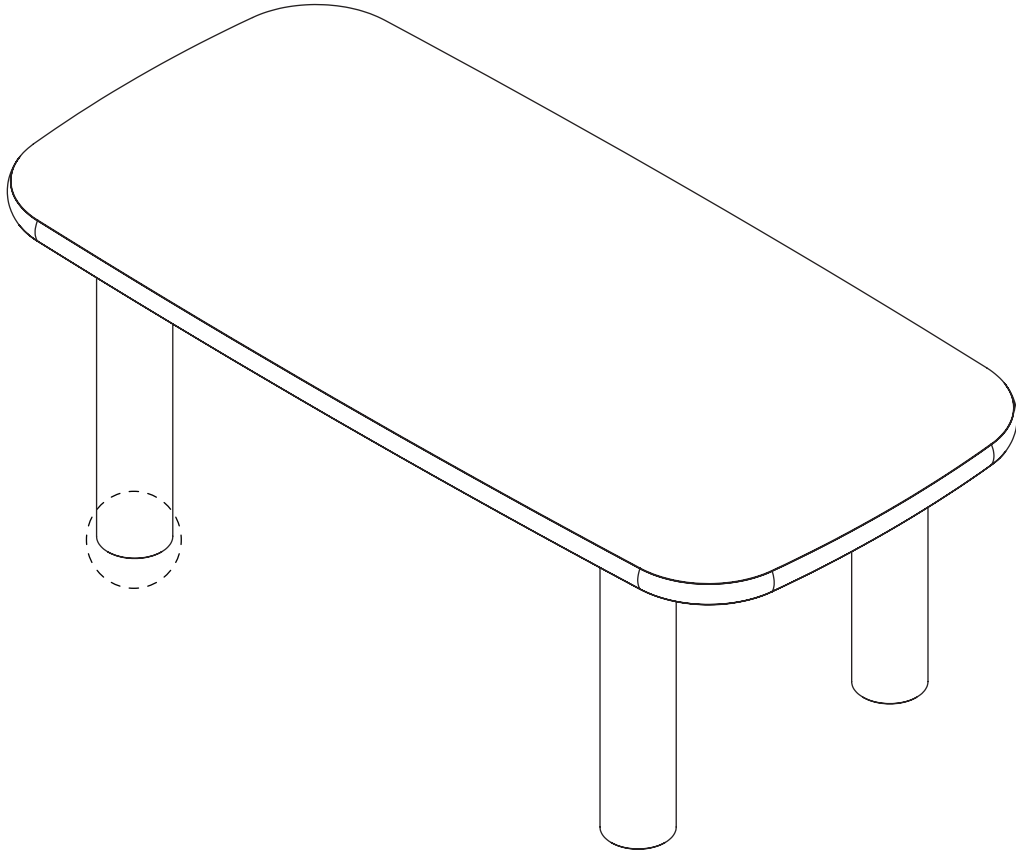


! Install leg (B) to the table top (A).



! Make sure to place the table down on a soft protected surface.

2



! Adjust levelers as needed.