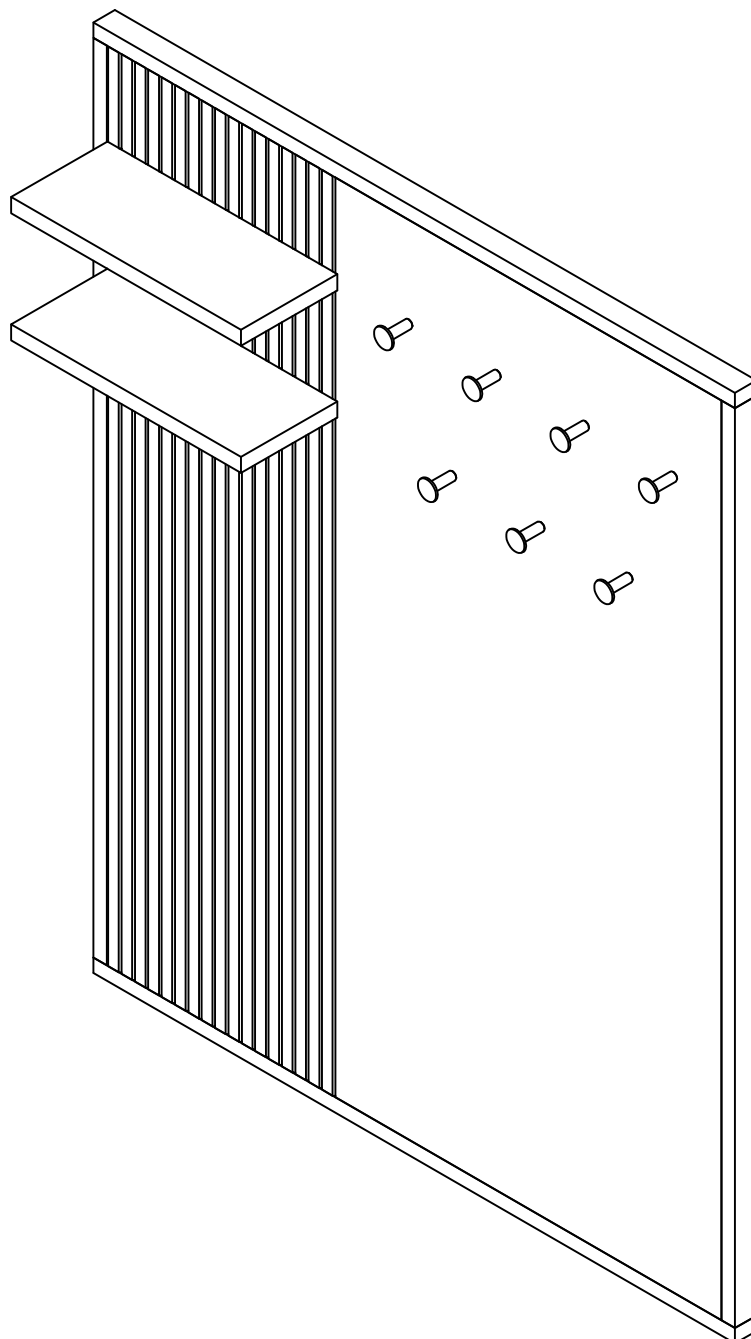


ARTICLE.

VERSION 1.1

Assembly Instructions



KOUVA

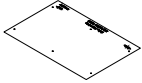





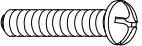
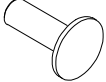
Wall Panel

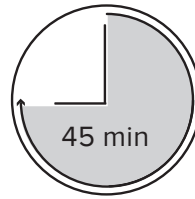
ASSEMBLY INSTRUCTIONS

Read these instructions carefully and keep for future reference. Refer to parts inventory for guidance, and ensure you have all pieces before starting.

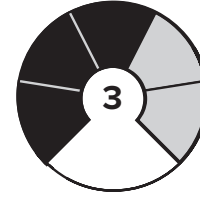
When assembling, place all parts on a soft, clean, and flat surface such as a carpet to prevent scratches.

If you're having difficulty, our friendly Customer Care team is always here to help. Call us at **1.888.746.3455** during business hours, email service@article.com or chat live at [article.com](https://www.article.com).

PARTS INVENTORY		
ID	DESCRIPTION	QTY
A	BACK PANEL	1
B	SHELVES	2
C	FRENCH CLEAT	2
D	DRILL TEMPLATE 	1
E	SNAPTOGGLE 	6
F	ALLEN KEY 	1
G	M6 × 30MM BOLT 	17
H	M6 LOCK WASHER 	17
I	M6 WASHER 	17
J	M6 × 60MM BOLT 	6
K	HOOKS 	7



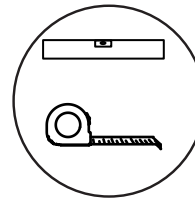
TIME



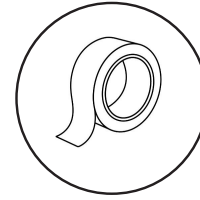
DIFFICULTY



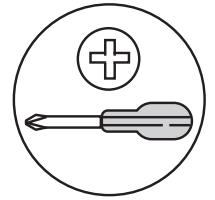
OF PEOPLE



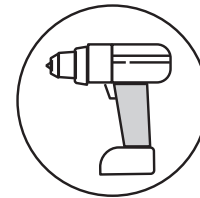
LEVELER MEASUREMENT



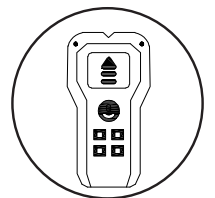
PAPER TAPE



SCREW DRIVER



12 MM / DRILL BIT

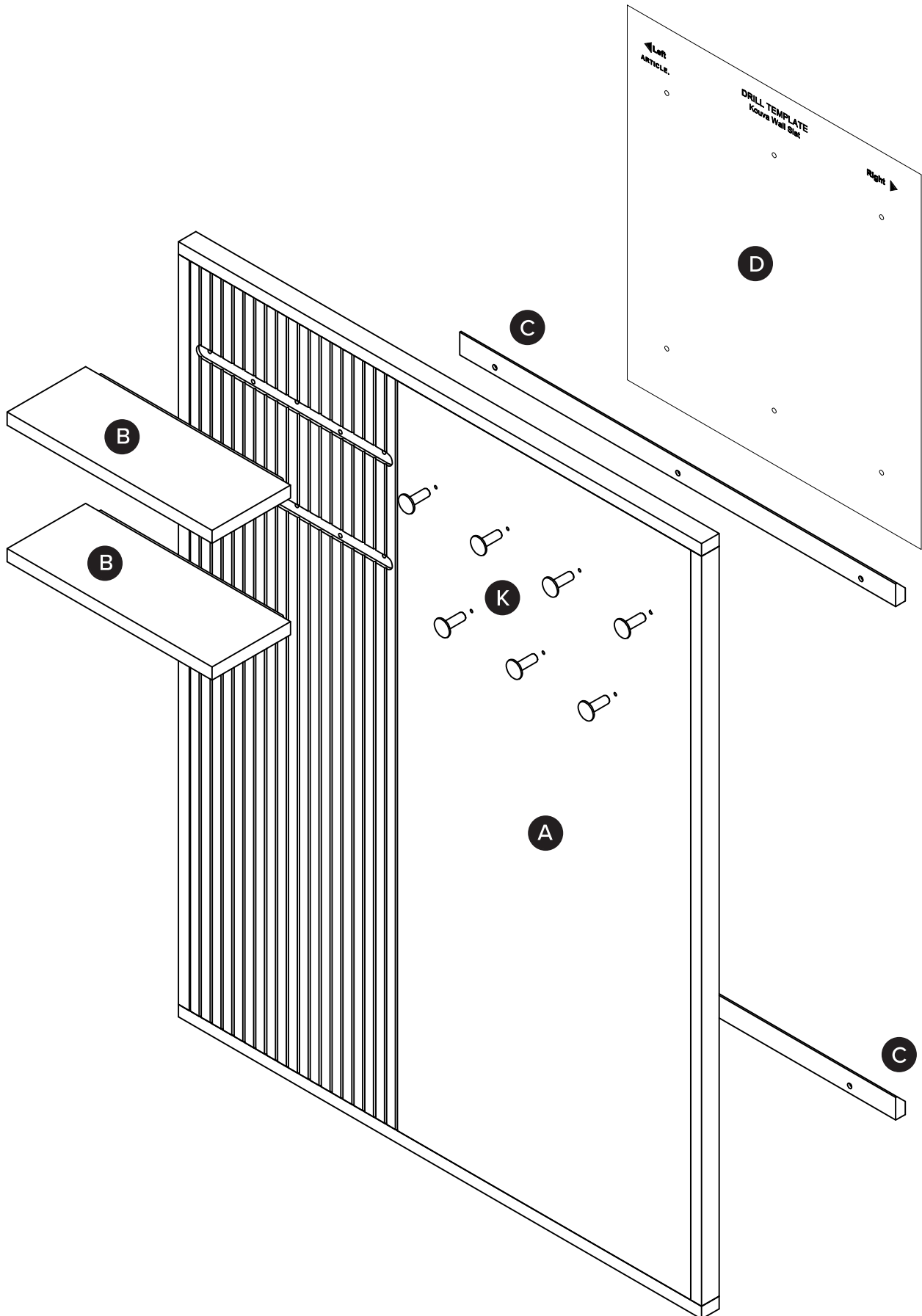


STUD FINDER

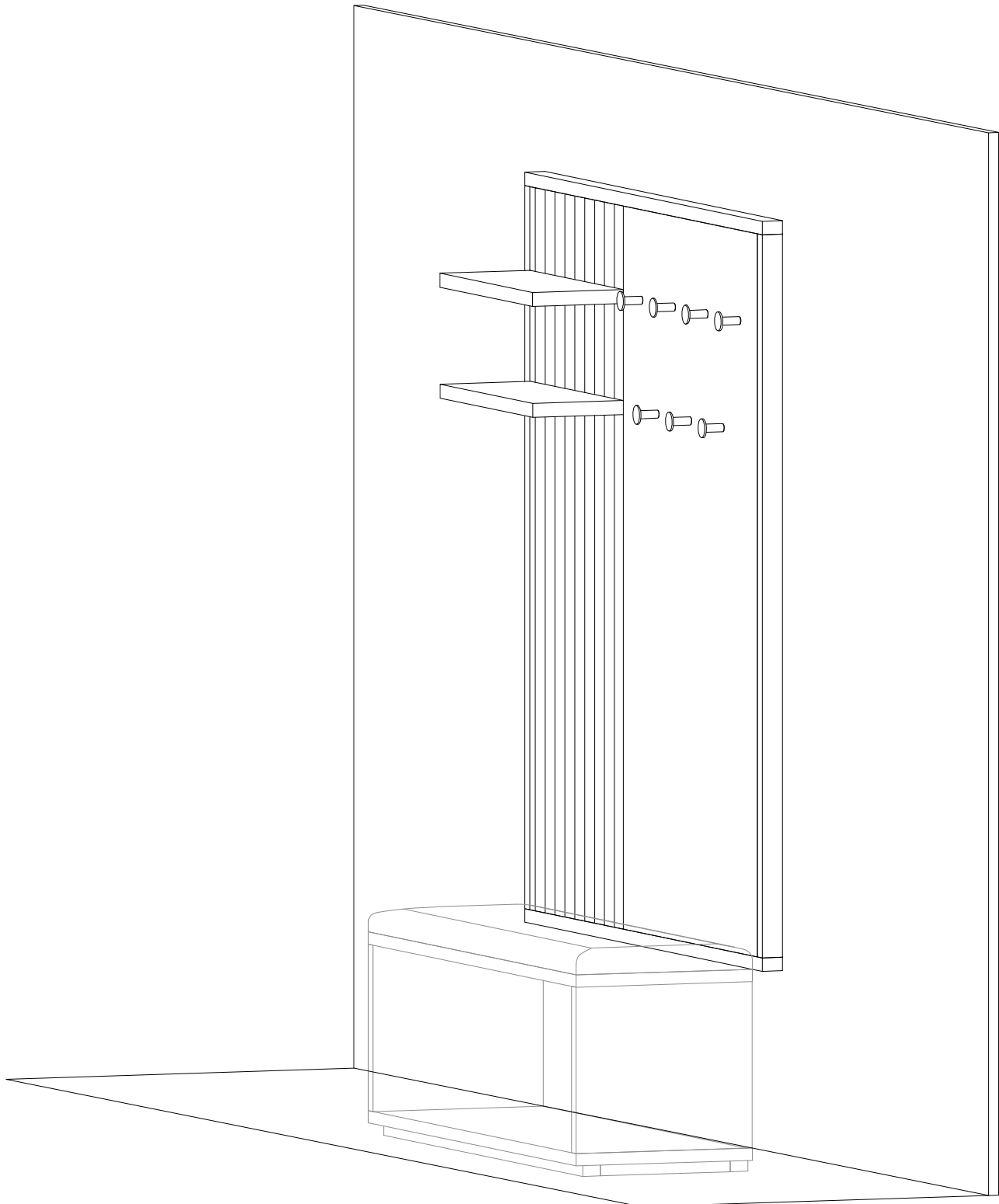
REQUIRED TOOLS



Hardware (E/J) to attach bracket to wall is designed for drywall. To attach this unit to another type of wall, consult with your local hardware store.

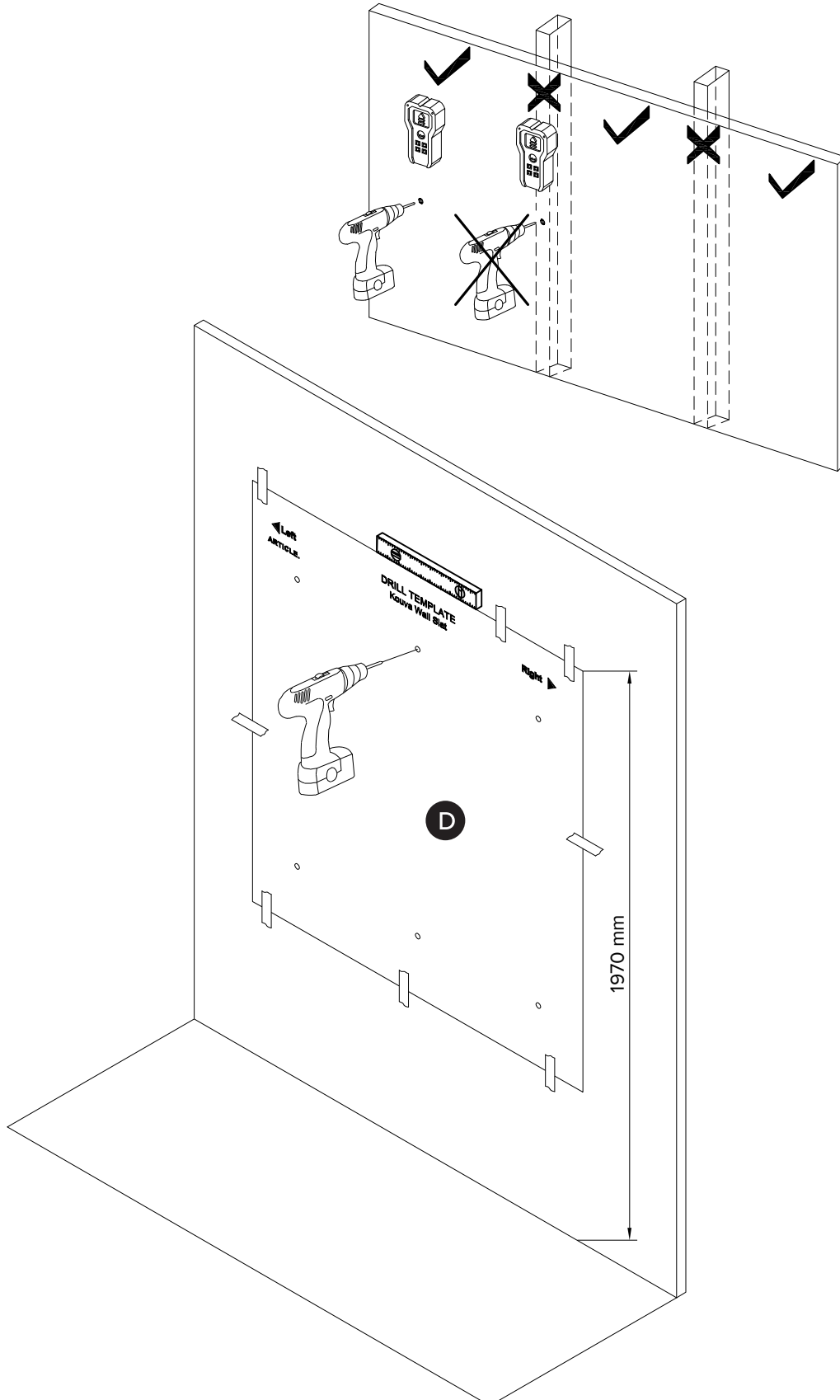


ⓘ The bench won't be provided together with this product. The height 77 - 1/2 inch is recommended when you purchase together with our Kouva Bench as one set.

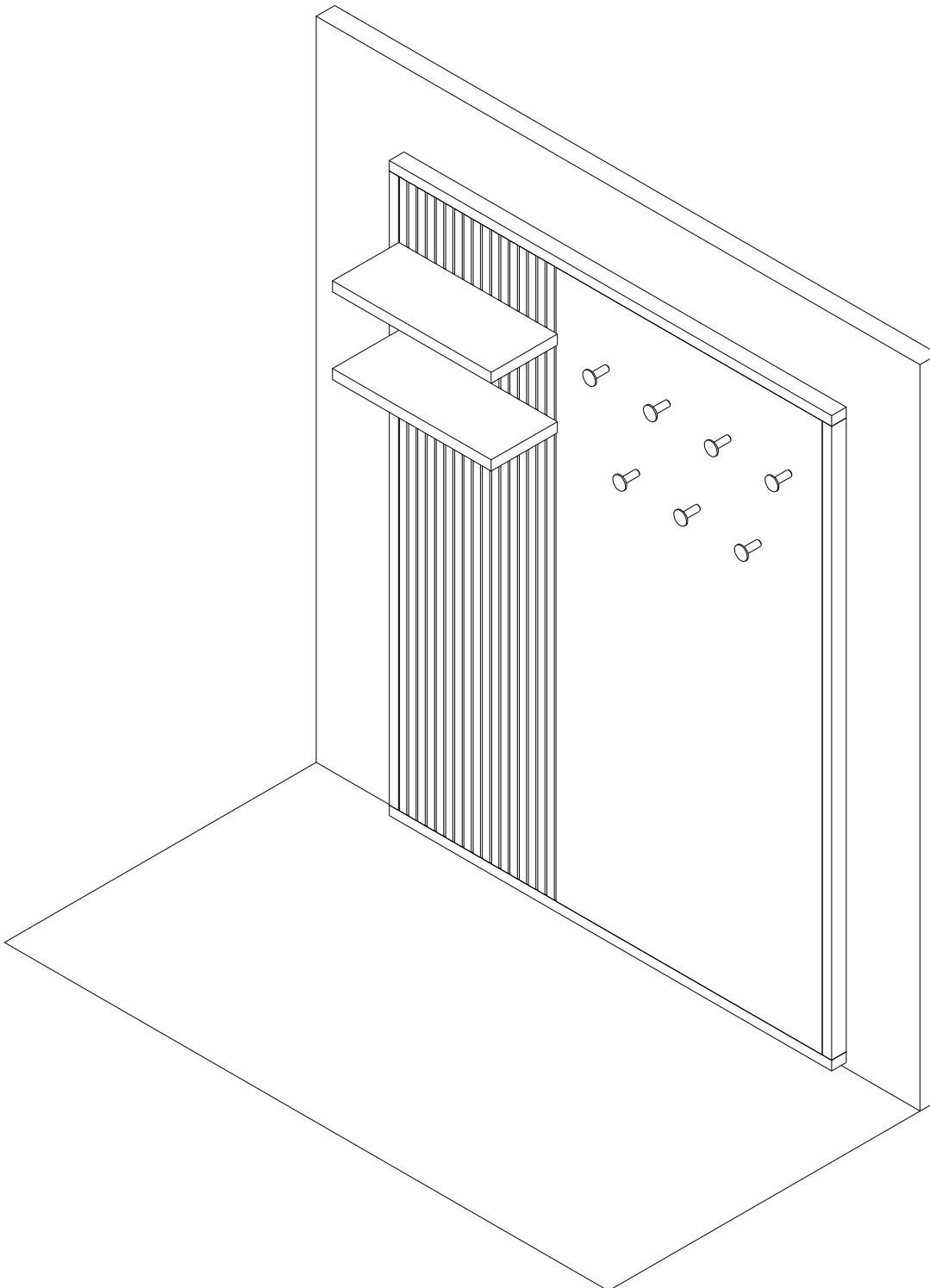


1A

- ! Use stud finder to avoid drilling holes on the wooden studs. Our hardware (E/J) provided are for drywall only, if your wall has different construction, please consult with your contractor for proper hardware.

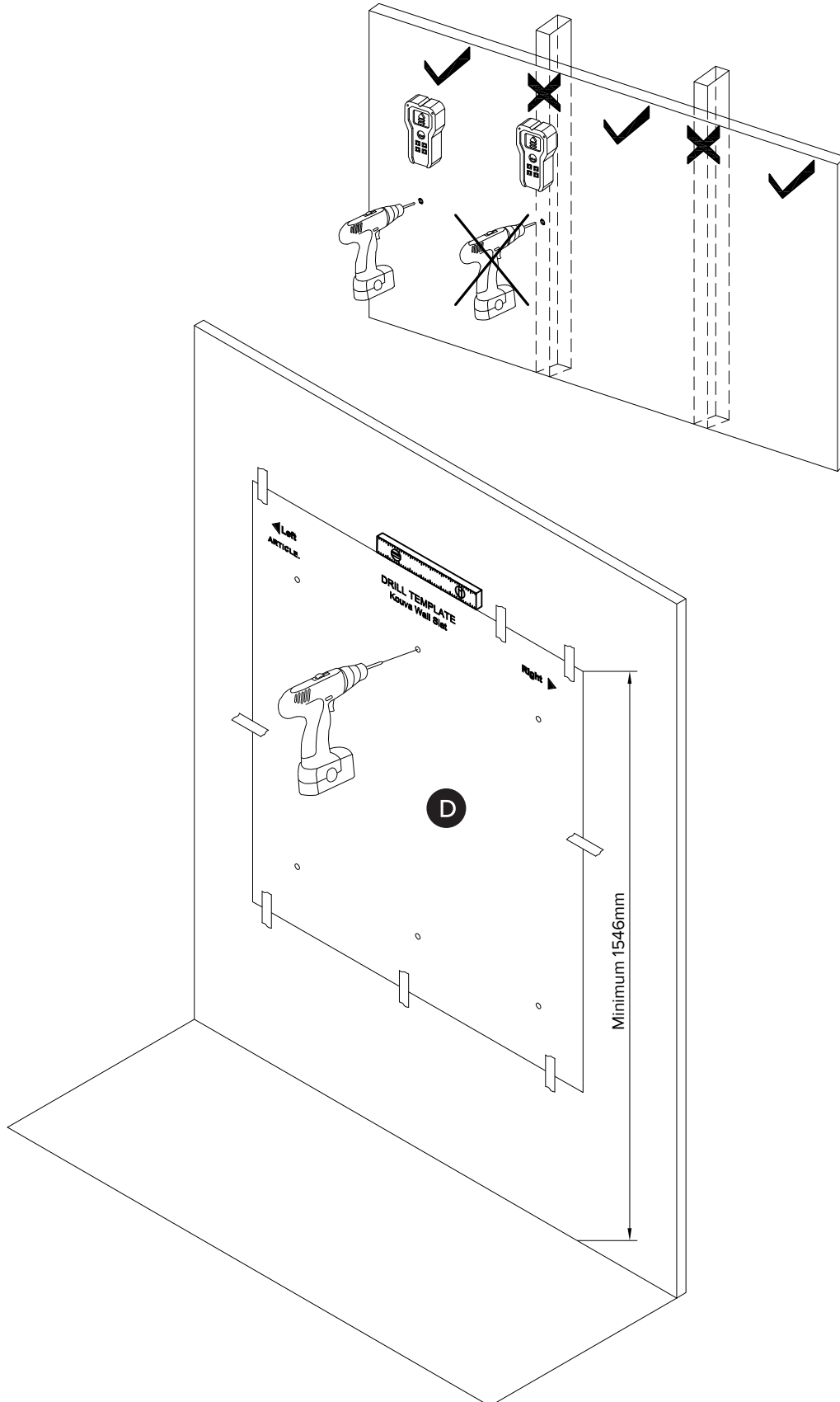


ⓘ The height 60 - 7/8 inch is recommended when you purchase this product only.

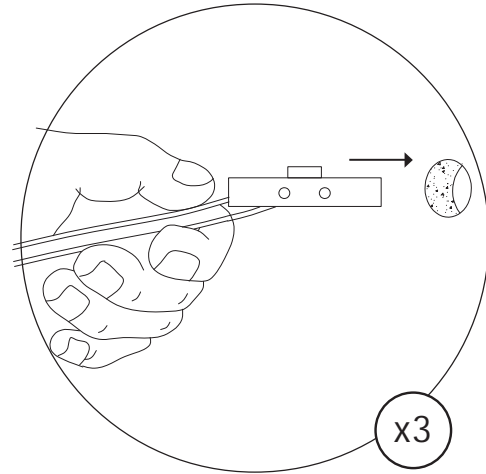
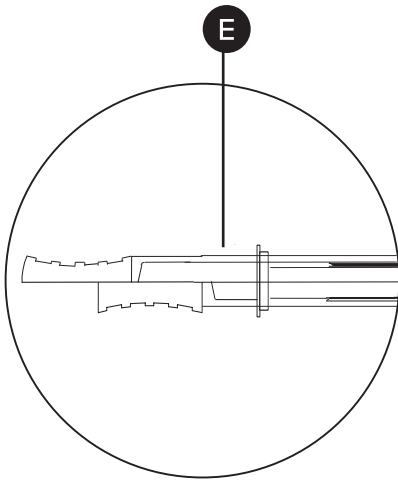


1B

! Use stud finder to avoid drilling holes on the wooden studs. Our hardware (E/J) provided are for drywall only, if your wall has different construction, please consult with your contractor for proper hardware.

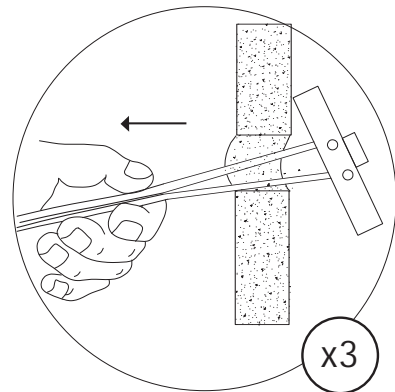
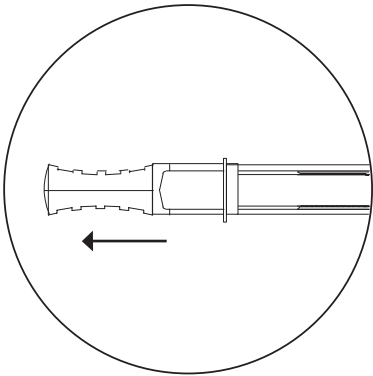


2A

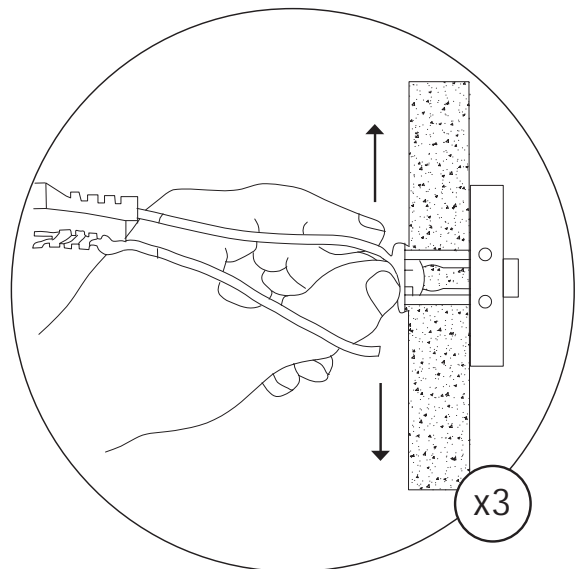
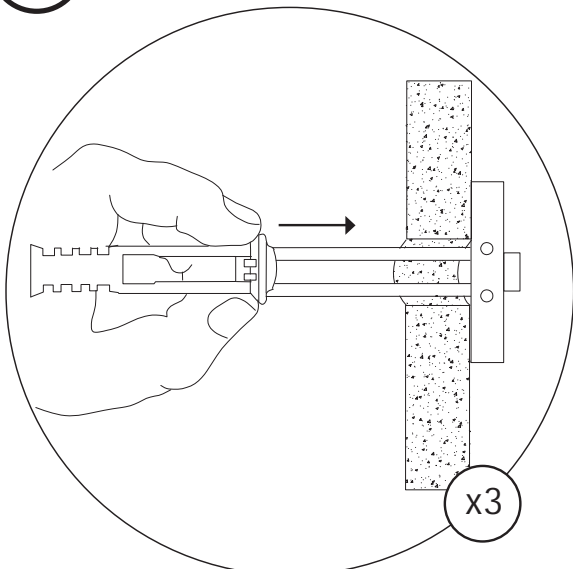


2B

! Pull the plastic trap backward until 2 ends aligned in order to make the metal channel rests flush behind the wall vertically.



2C



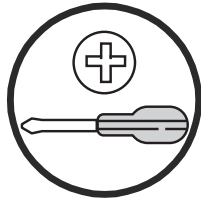
! Slide the plastic cap along the straps until flange of cap is flush with the wall

! Place thumb between plastic straps. Push side to side, snapping off straps level with flange of cap.

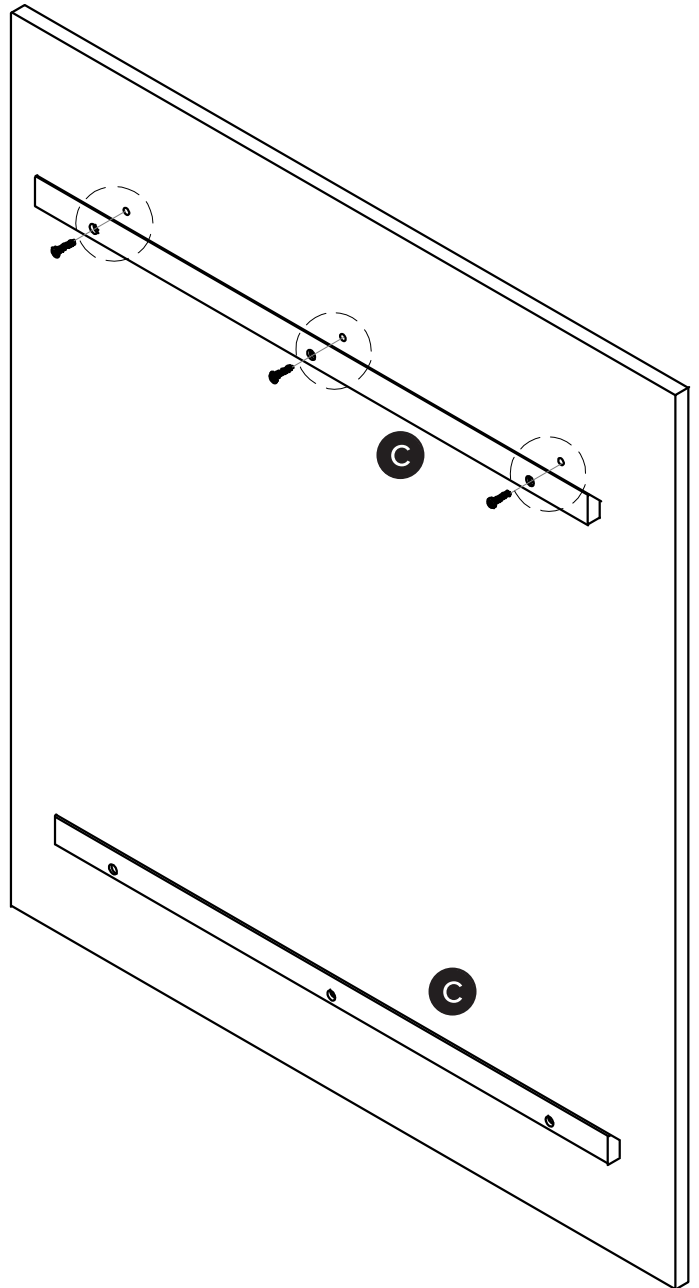
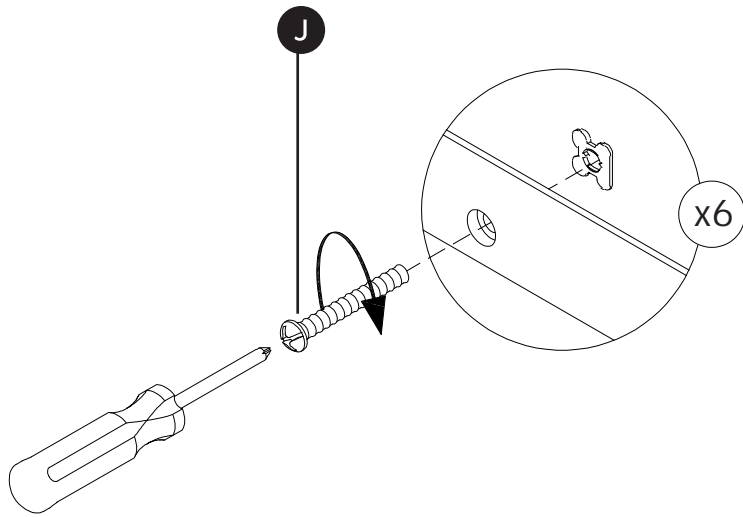
3



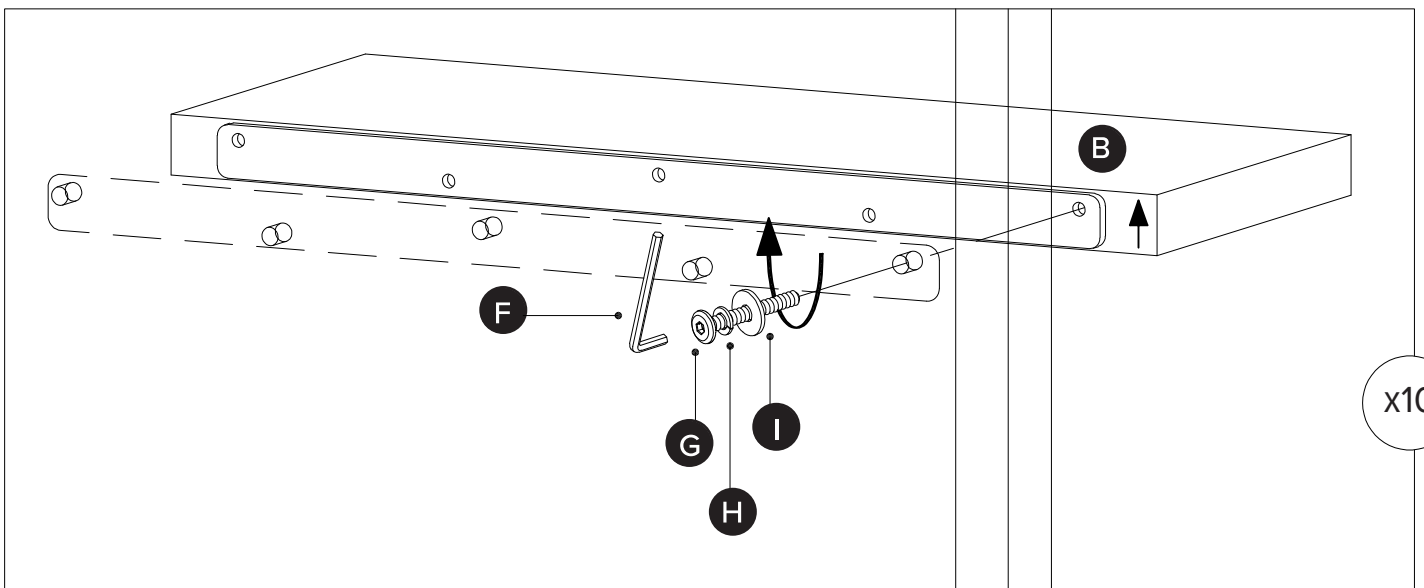
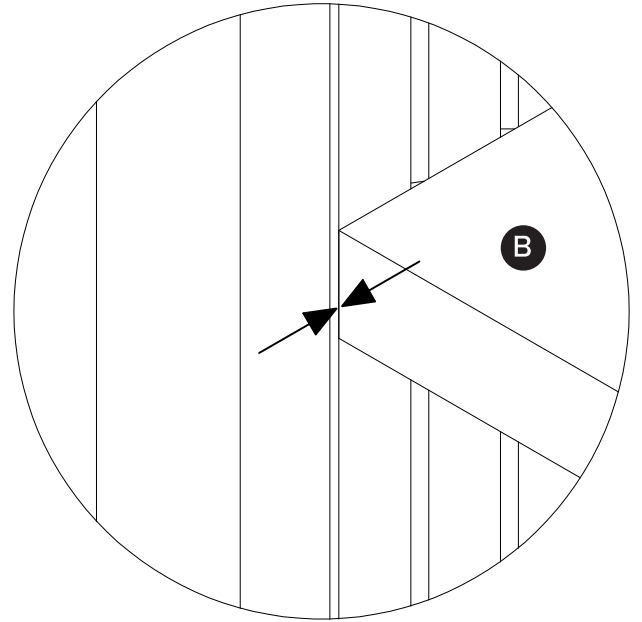
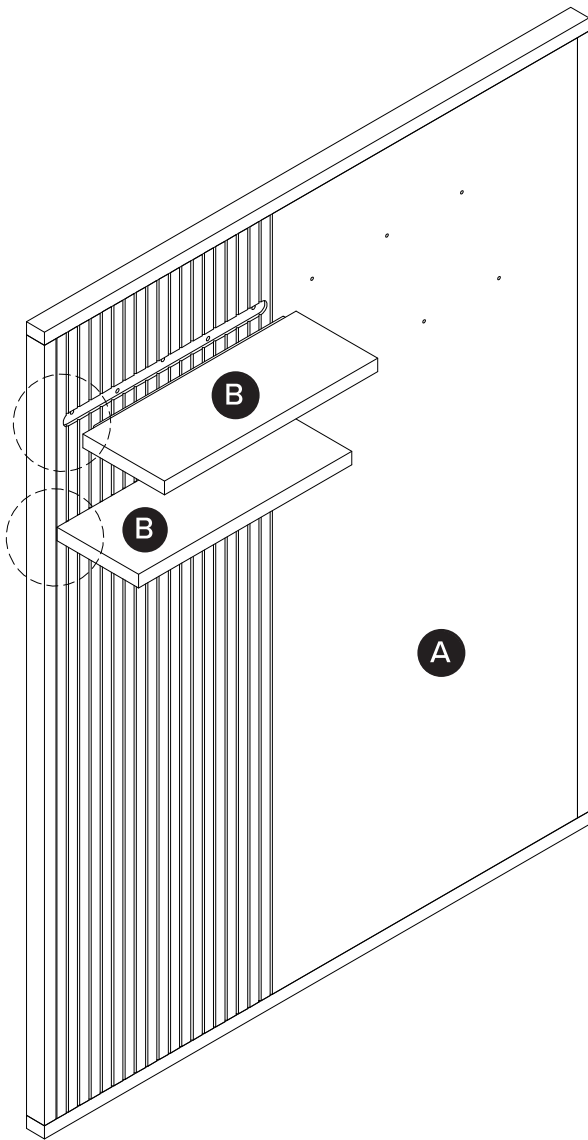
WRONG



RIGHT

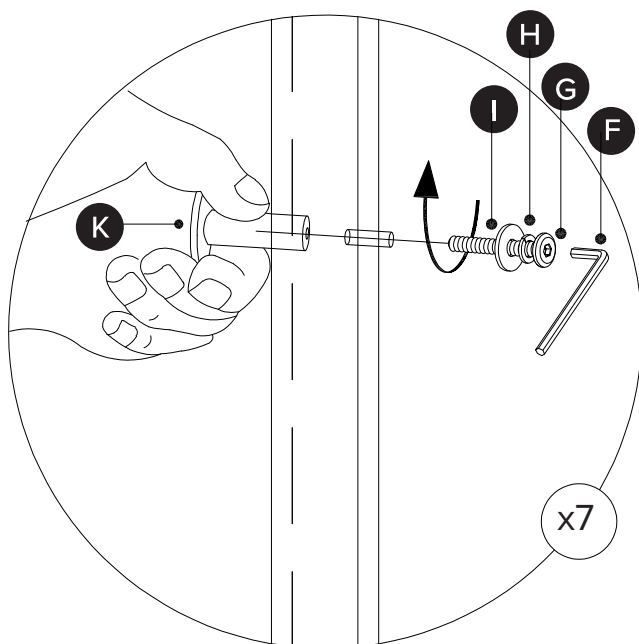
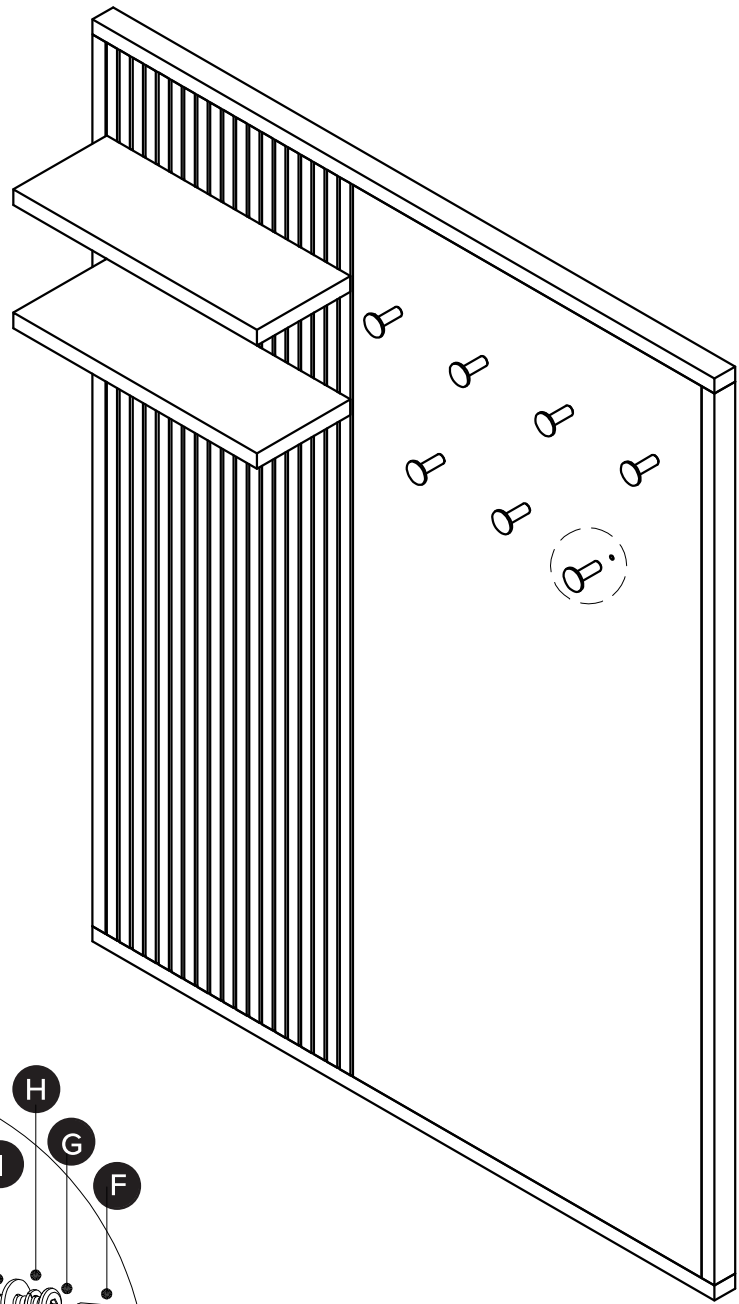


4



x10

5



6

! Slot wall slat (A) onto wall bracket (C).

