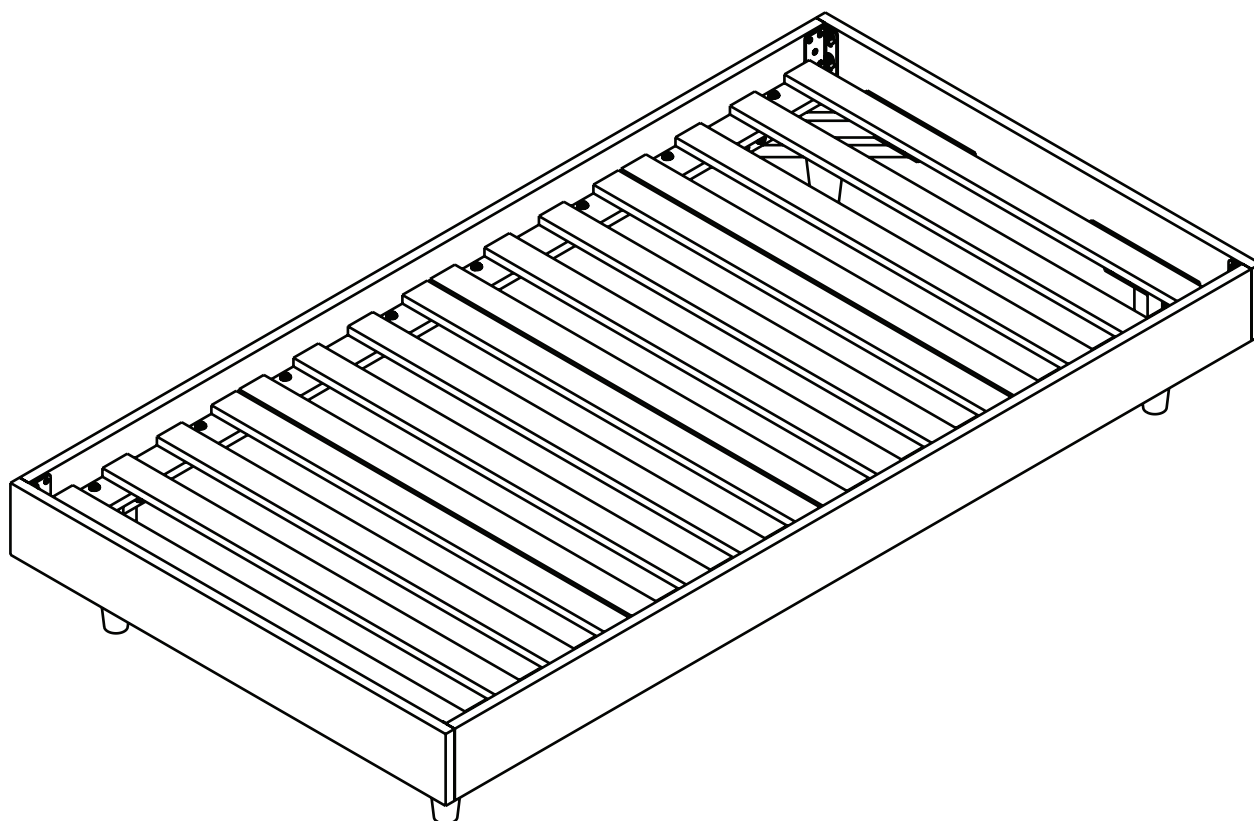


# ARTICLE.

VERSION 1.5

## Assembly Instructions



# BASI

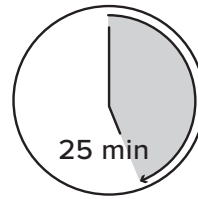
Twin Bed

## ASSEMBLY INSTRUCTIONS

Read these instructions carefully and keep for future reference. Refer to parts inventory for guidance, and ensure you have all pieces before starting.

When assembling, place all parts on a soft, clean, and flat surface such as a carpet to prevent scratches.

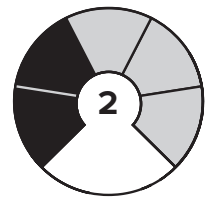
If you're having difficulty, our friendly Customer Care team is always here to help. Call us at **1.888.746.3455** during business hours, email [service@article.com](mailto:service@article.com) or chat live at [article.com](https://www.article.com).



TIME



# OF PEOPLE




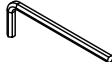







DIFFICULTY



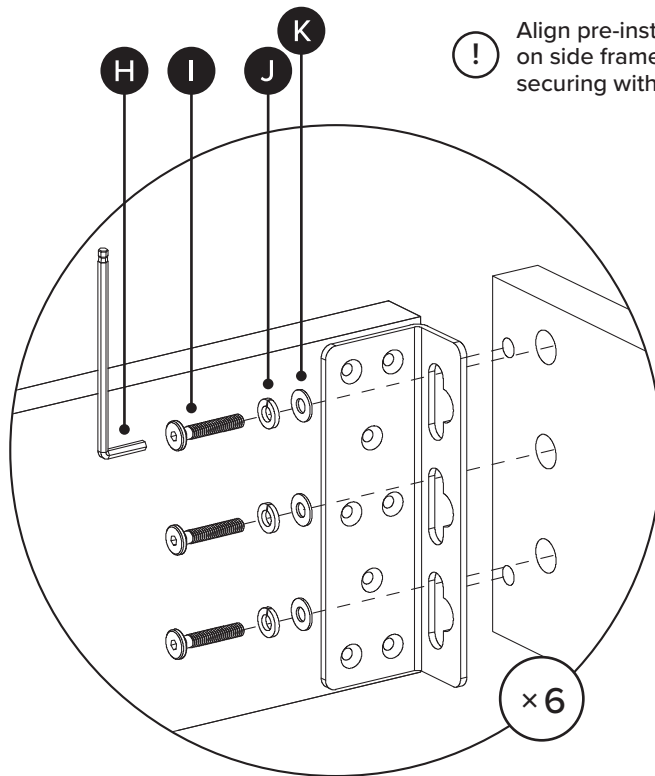
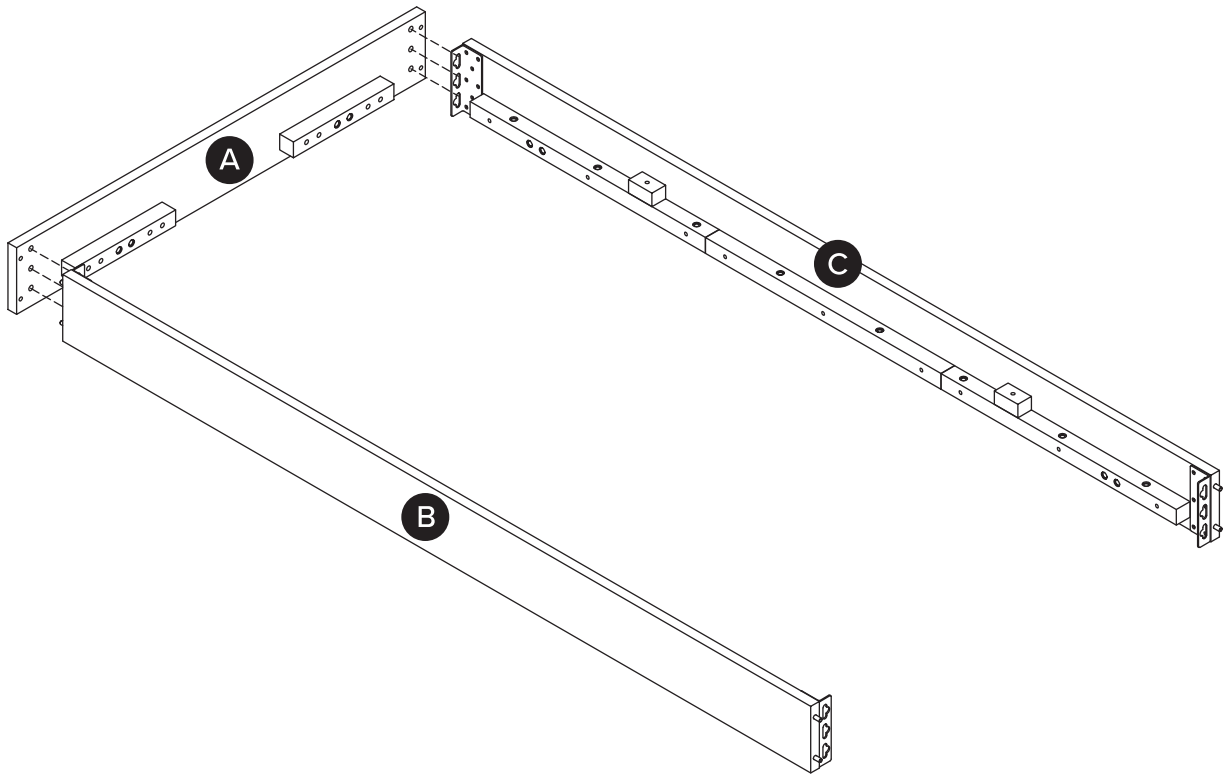
Please ensure products are laid on a smooth and soft surface while assembling in order to avoid unexpected scratches and dents.



PARTS INVENTORY		
ID	DESCRIPTION	QTY
<b>A</b>	HEADBOARD	1
<b>B</b>	LEFT SIDE FRAME	1
<b>C</b>	RIGHT SIDE FRAME	1
<b>D</b>	FOOTBOARD	1
<b>E</b>	CORNER LEG 	4
<b>F</b>	CORNER LEG FRAME	4
<b>G</b>	SLATS	4

PARTS INVENTORY CONT.		
ID	DESCRIPTION	QTY
<b>H</b>	ALLEN KEY 	1
<b>I</b>	M8 × 20MM BOLT 	12
<b>J</b>	M8 LOCK WASHER 	28
<b>K</b>	M8 WASHER 	28
<b>L</b>	M8 × 40MM BOLT 	16
<b>M</b>	M6 LOCK WASHER 	16
<b>N</b>	M6 WASHER 	16
<b>O</b>	M6 × 30MM BOLT 	16

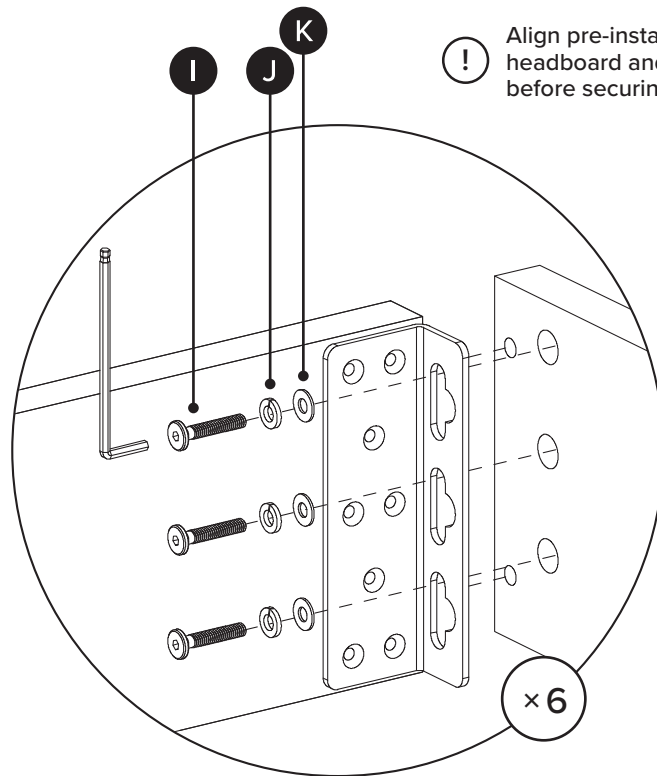
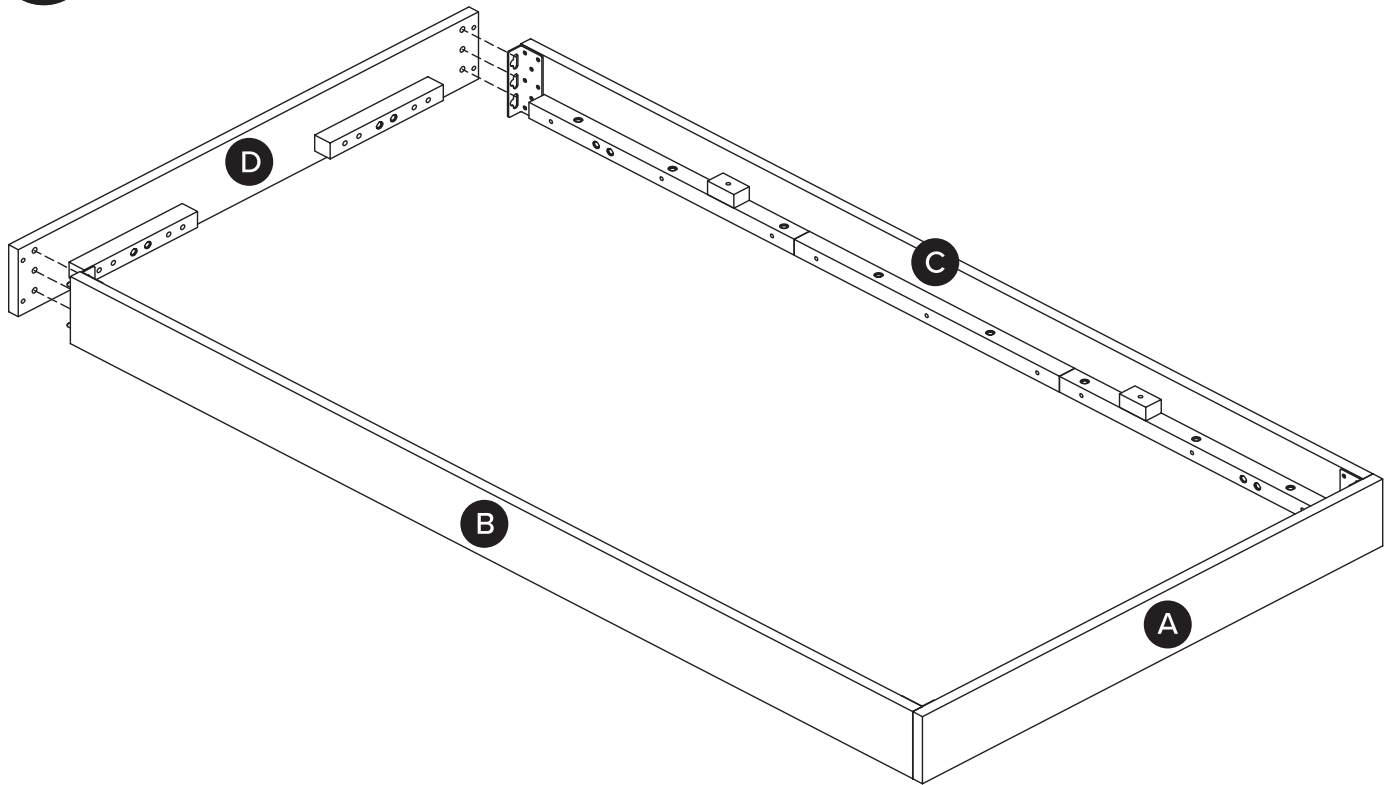
1



! Align pre-installed dowels on side frames (B+C) before securing with bolts.

x6

2

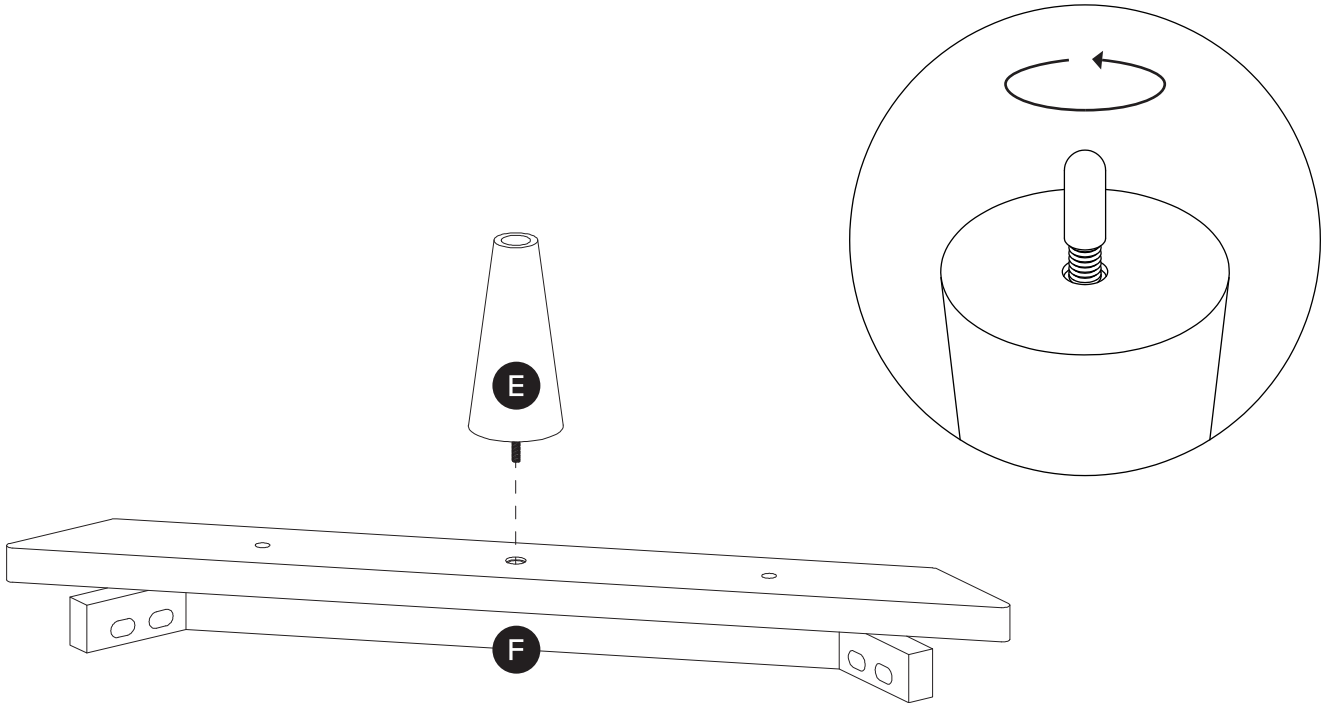


! Align pre-installed dowels on headboard and footboard (A+D) before securing with bolts.

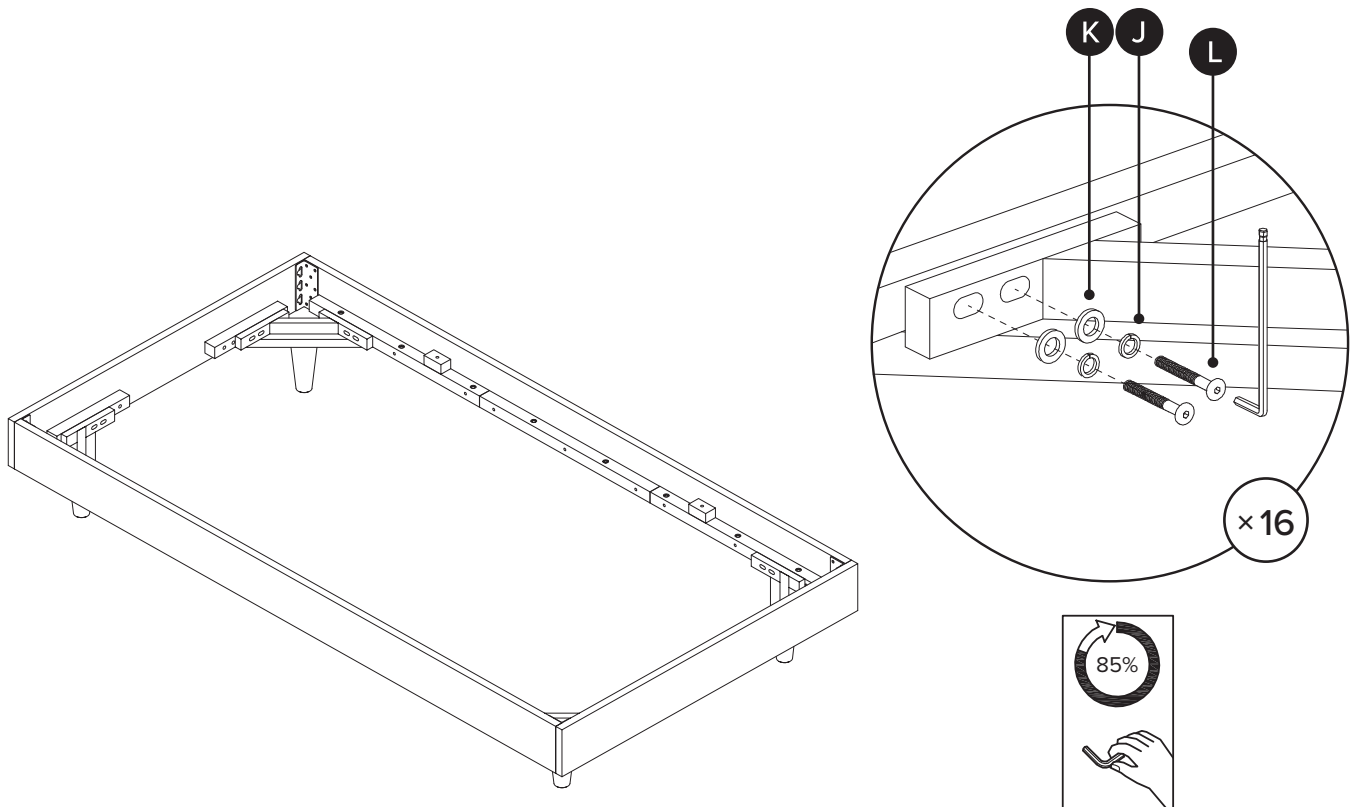
×6

3

! Remove the protection on the leg bolt before assembling.

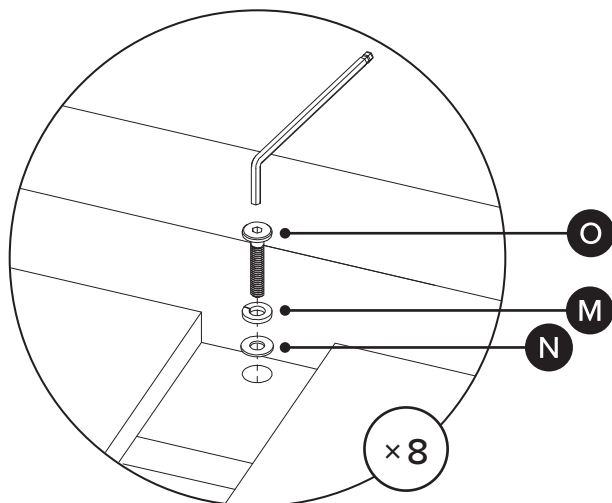
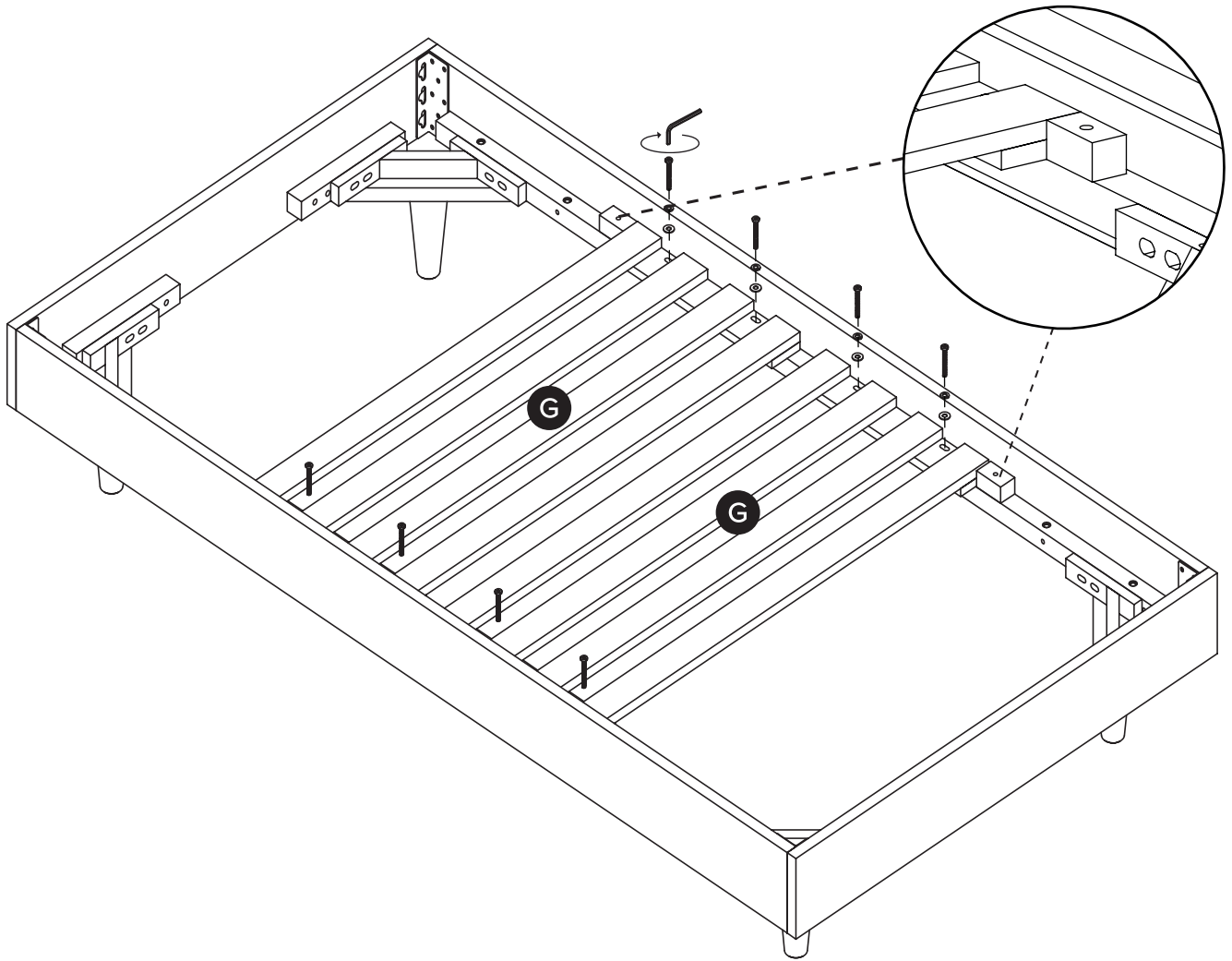


4



5

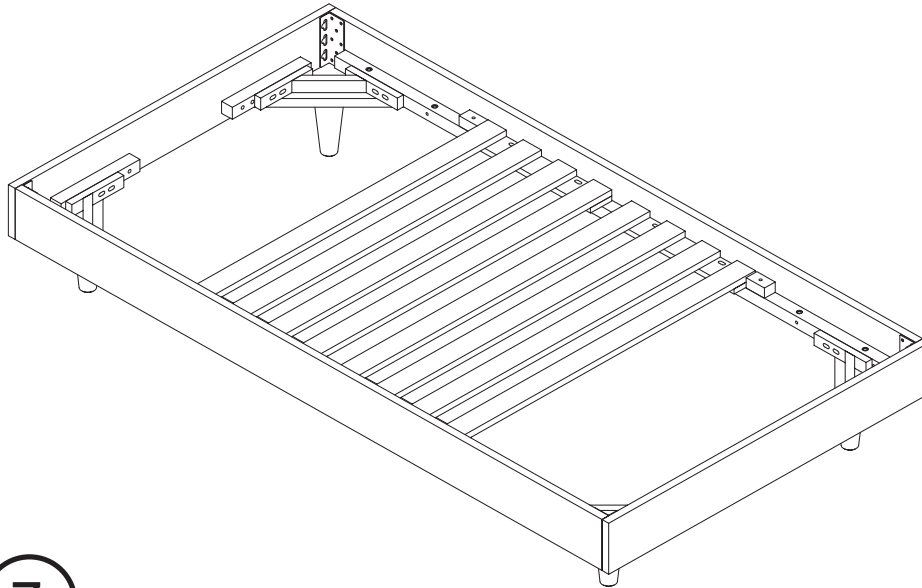
! Install 2 slats (G) between the 2 side rail center blocks.



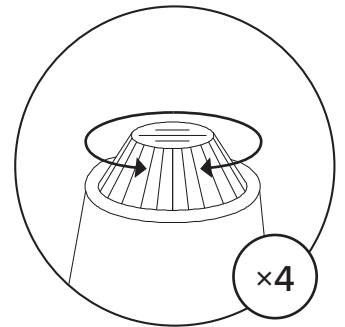
6



! Fully tighten all bolts on corner leg frames (F) once center frame (H) is installed.



! Place the bed at it's location, Adjust levelers on legs as needed.



7

