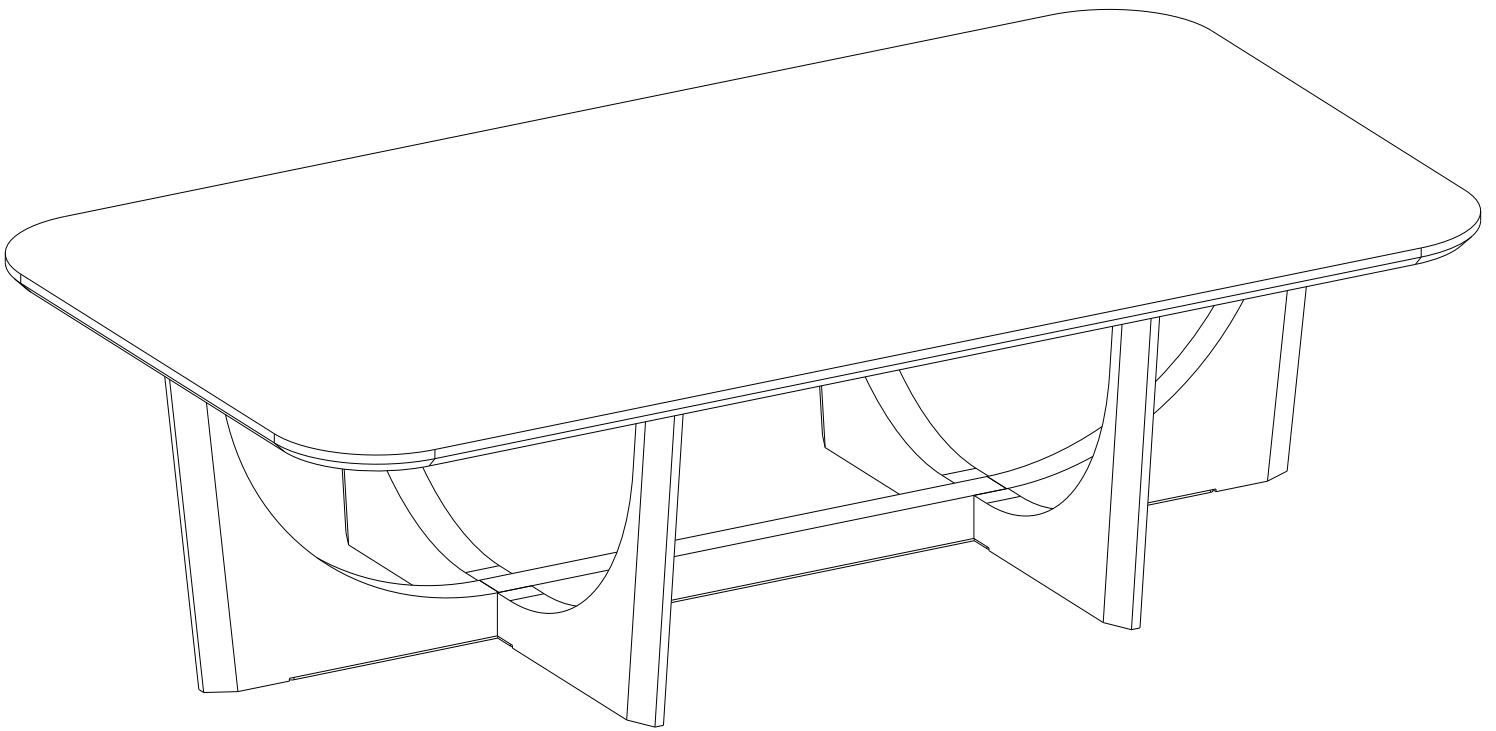


# ARTICLE.

VERSION 1.0

## Assembly Instructions



# LARGE TOVI

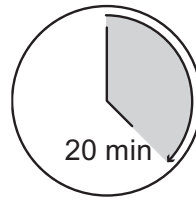
## Rectangular Coffee Table

## ASSEMBLY INSTRUCTIONS

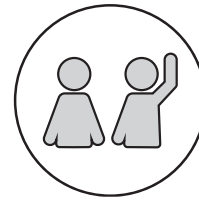
Read these instructions carefully and keep for future reference. Refer to parts inventory for guidance, and ensure you have all pieces before starting.

When assembling, place all parts on a soft, clean, and flat surface such as a carpet to prevent scratches.

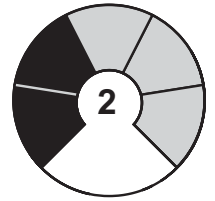
If you're having difficulty, our friendly Customer Care team is always here to help. Call us at **1.888.746.3455** during business hours, email [service@article.com](mailto:service@article.com) or chat live at [article.com](https://www.article.com)



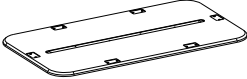
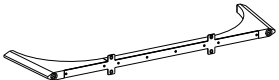

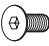


**TIME**



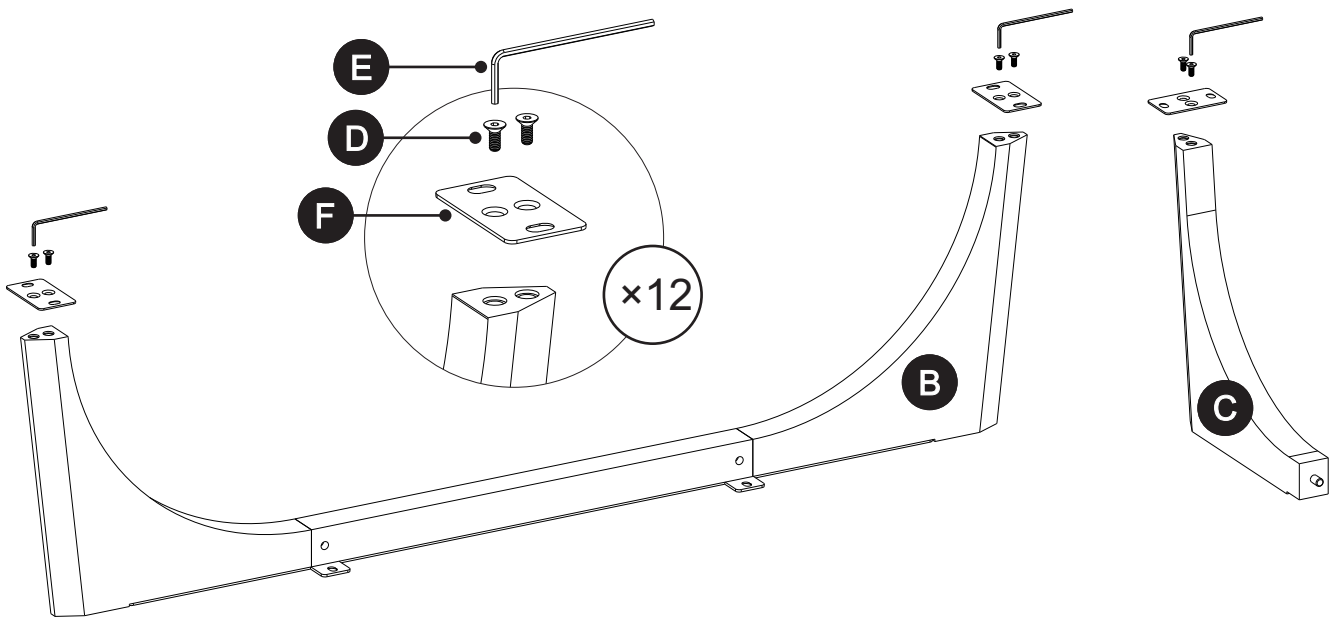
**# OF PEOPLE**



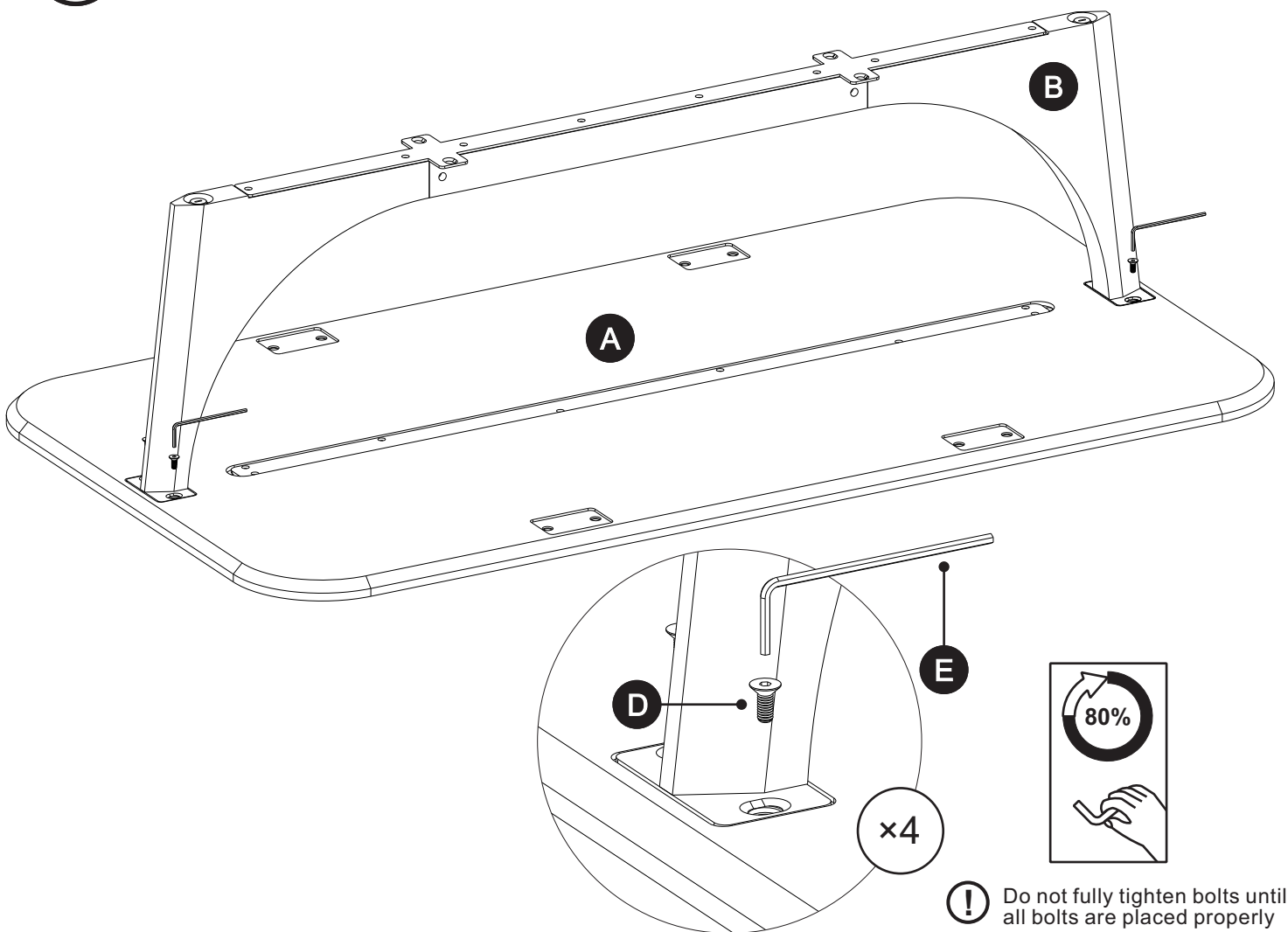
**DIFFICULTY**

PARTS INVENTORY		
ID	DESCRIPTION	QTY
<b>A</b>	TABLE TOP 	1
<b>B</b>	CENTRAL LEG 	1
<b>C</b>	SIDE LEG 	4
<b>D</b>	M6 × 15MM BOLT 	28
<b>E</b>	ALLEN KEY 	1
<b>F</b>	85 × 50MM STEEL PAT 	6

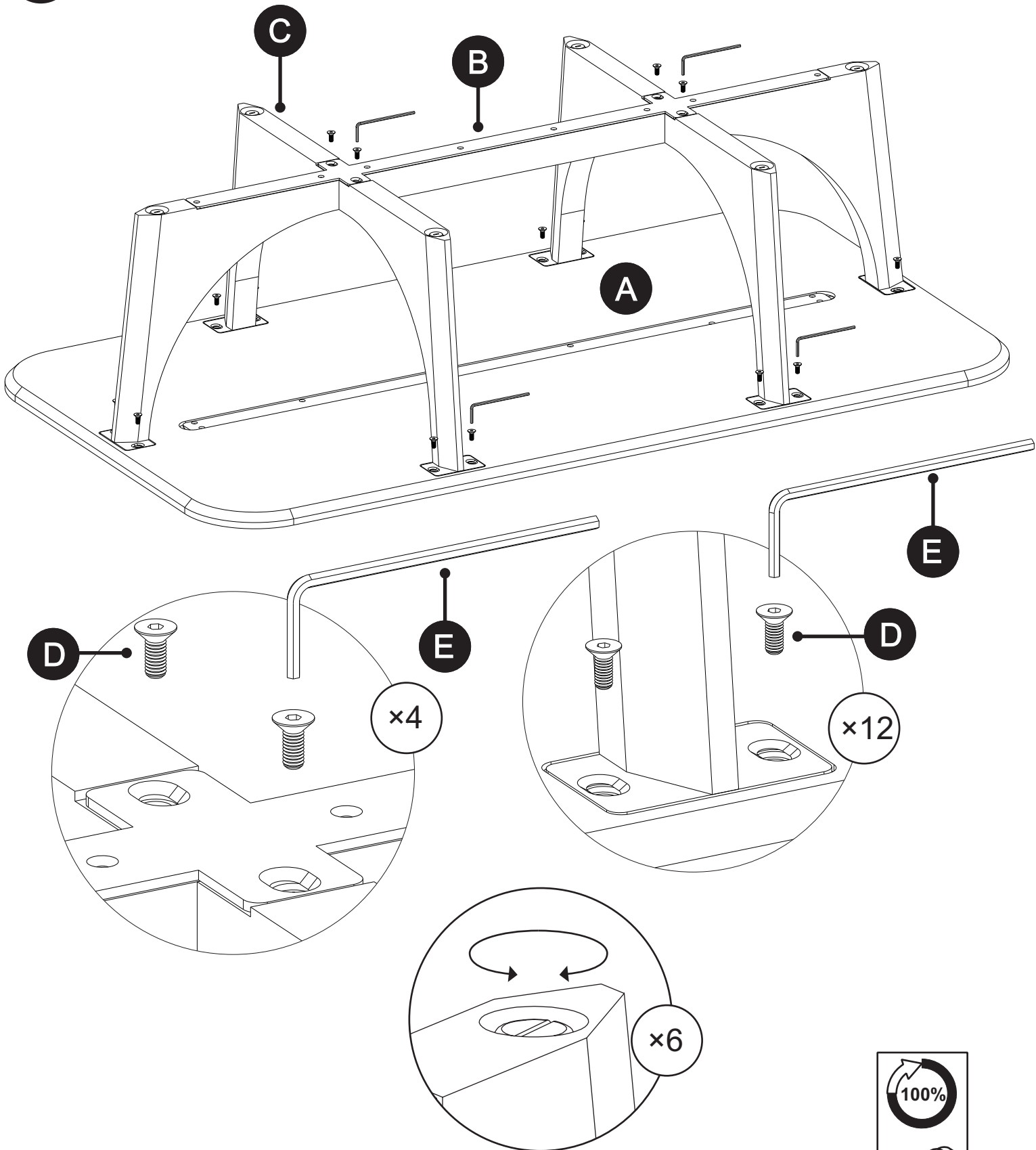
1



2



3



! Adjust levelers on legs as needed.

! Tighten all bolts 100%

**IMPORTANT !**

It is important that all bolts are re-tightened 2 weeks after assembly and once every 2 months in order to assure stability through-out the lifespan of this product.