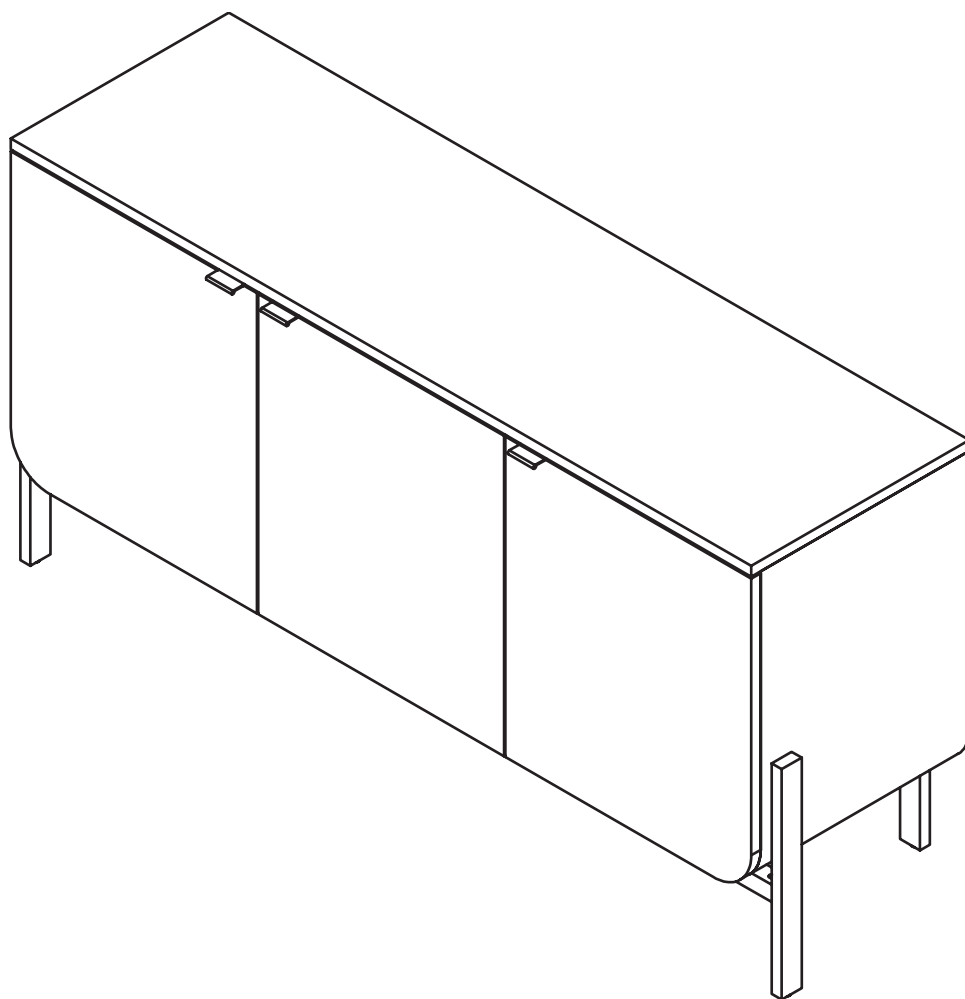


ARTICLE.

VERSION 1.0

Assembly Instructions



SEGATA

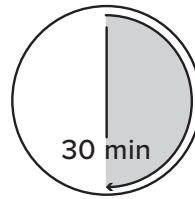
Sideboard

ASSEMBLY INSTRUCTIONS

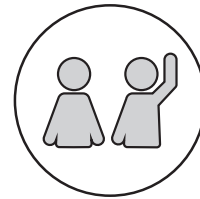
Read these instructions carefully and keep for future reference. Refer to parts inventory for guidance, and ensure you have all pieces before starting.

When assembling, place all parts on a soft, clean, and flat surface such as a carpet to prevent scratches.

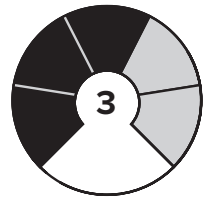
If you're having difficulty, our friendly Customer Care team is always here to help. Call us at **1.888.746.3455** during business hours, email service@article.com or chat live at [article.com](https://www.article.com).



TIME



OF PEOPLE



DIFFICULTY



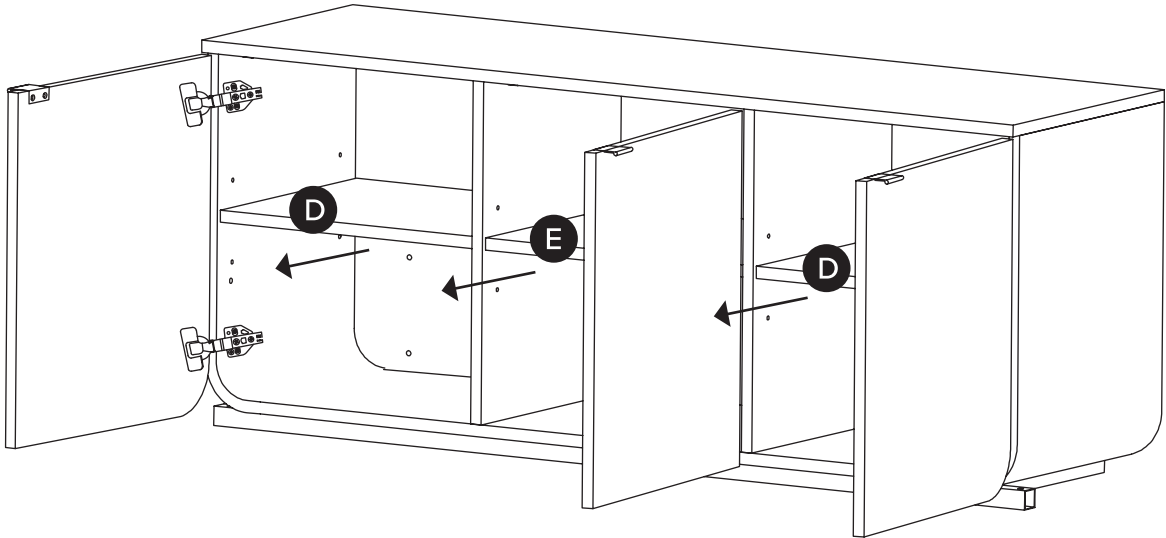
ANTI-TIP
Installation Required

PARTS INVENTORY			
ID	DESCRIPTION		QTY
A	SIDEBOARD		1
B	FRONT LEG FRAME		2
C	BACK LEG FRAME		2
D	RIGHT / LEFT SHELF		2
E	CENTER SHELF		1

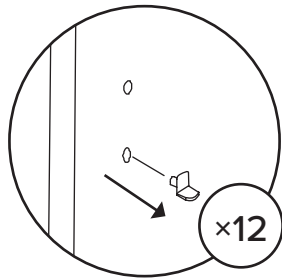
PARTS INVENTORY			
ID	DESCRIPTION		QTY
F	M6 × 32MM BOLT		6
G	M6 × 19MM BOLT		4
H	M6 WASHER		4
I	M6 LOCK WASHER		4
J	ALLEN KEY		1

1

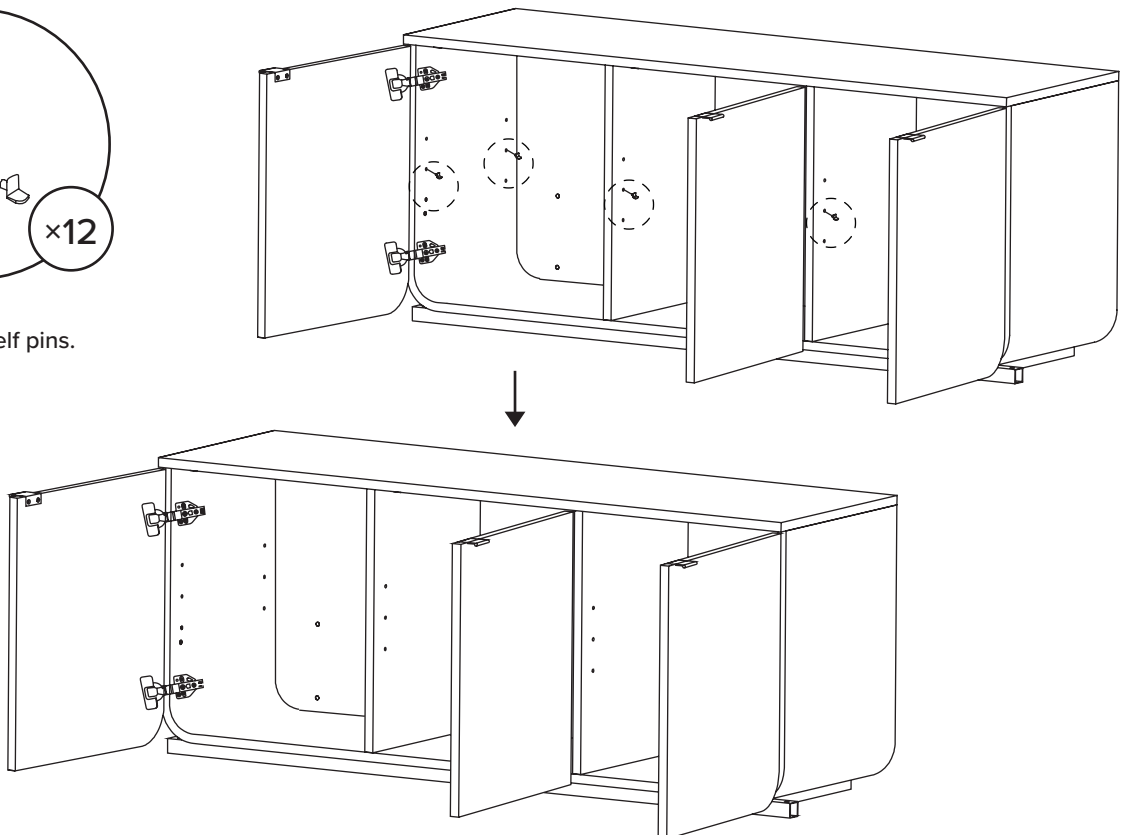
Remove shelves.



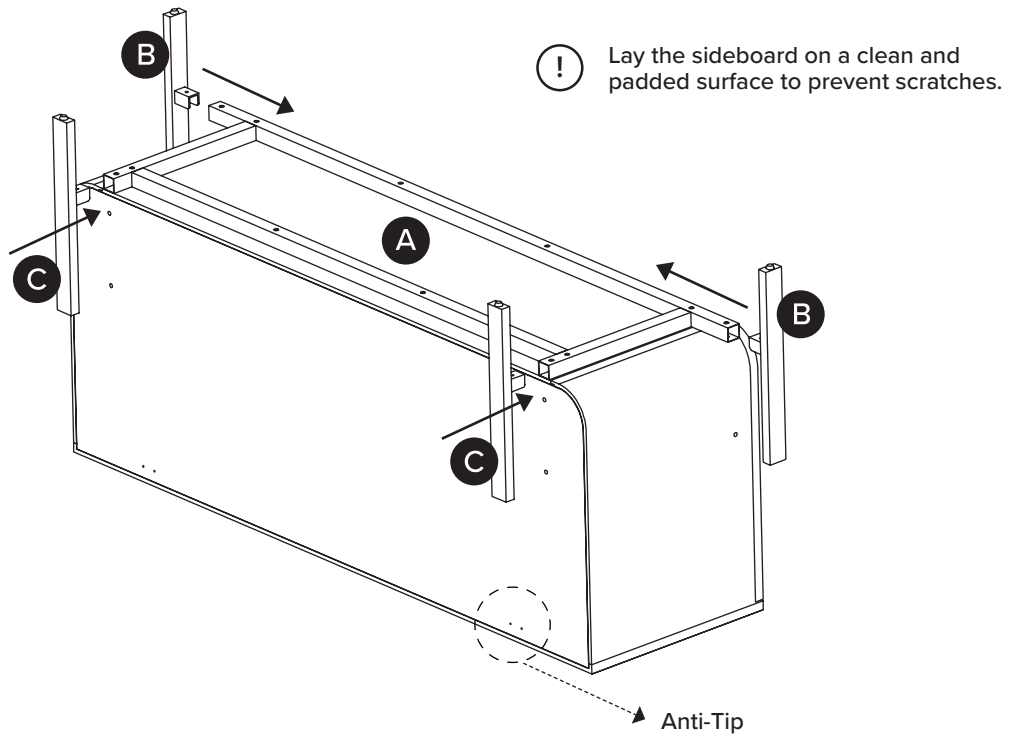
2



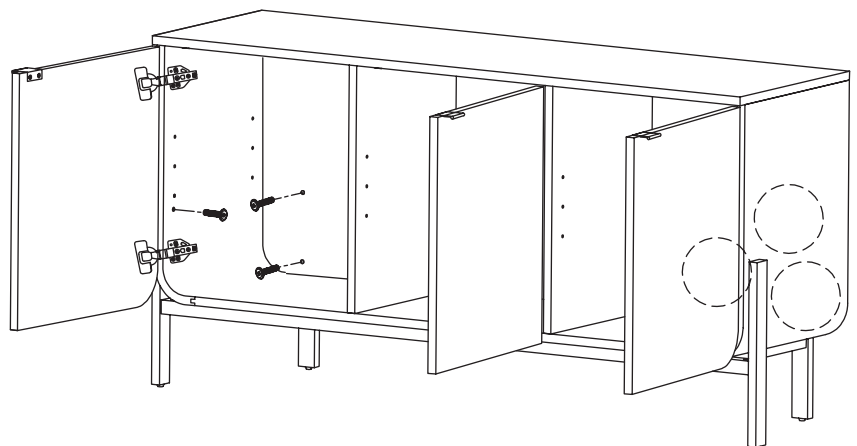
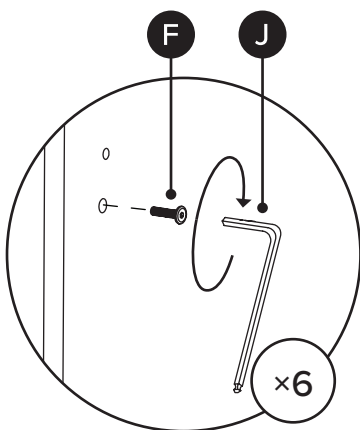
Remove shelf pins.



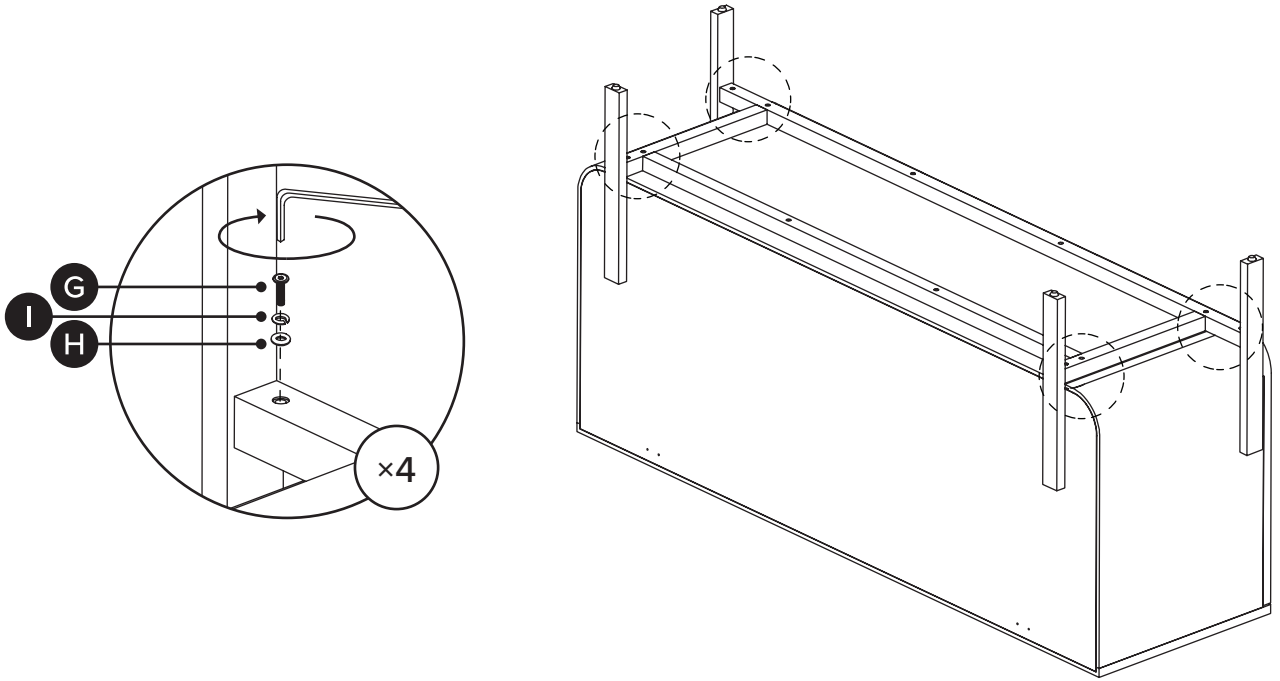
3



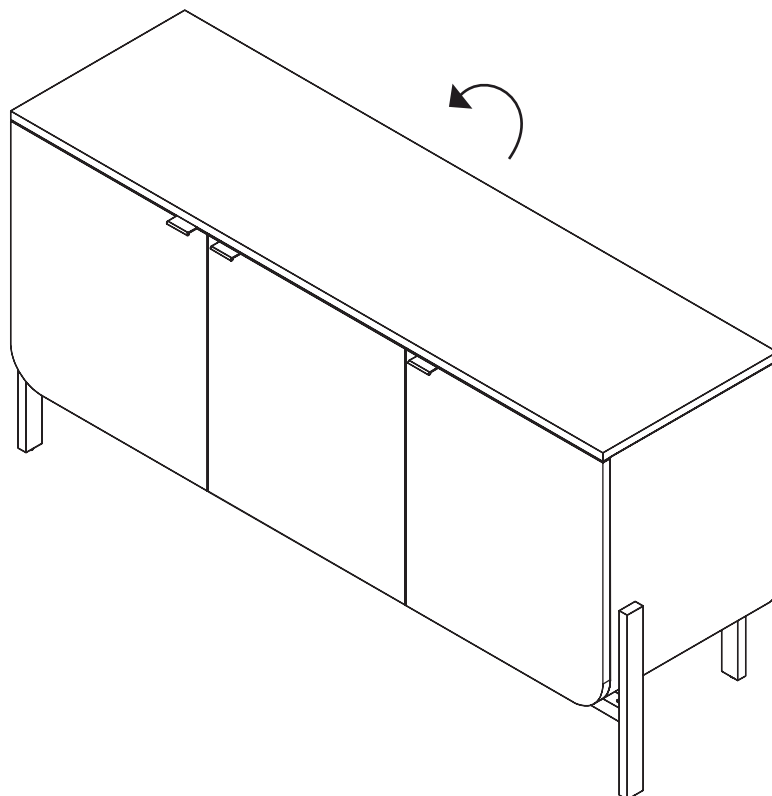
4



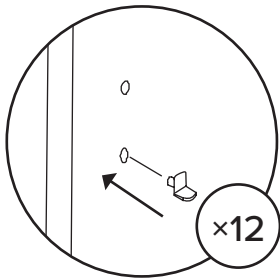
5



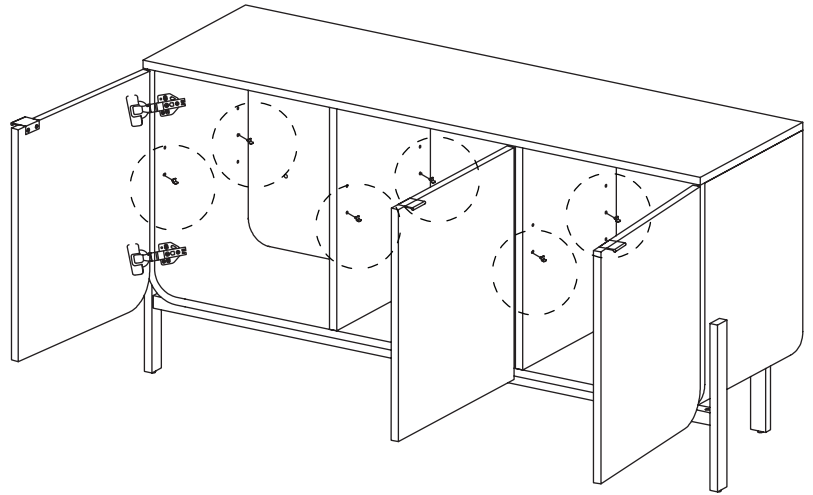
6



7

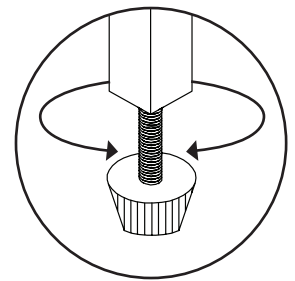
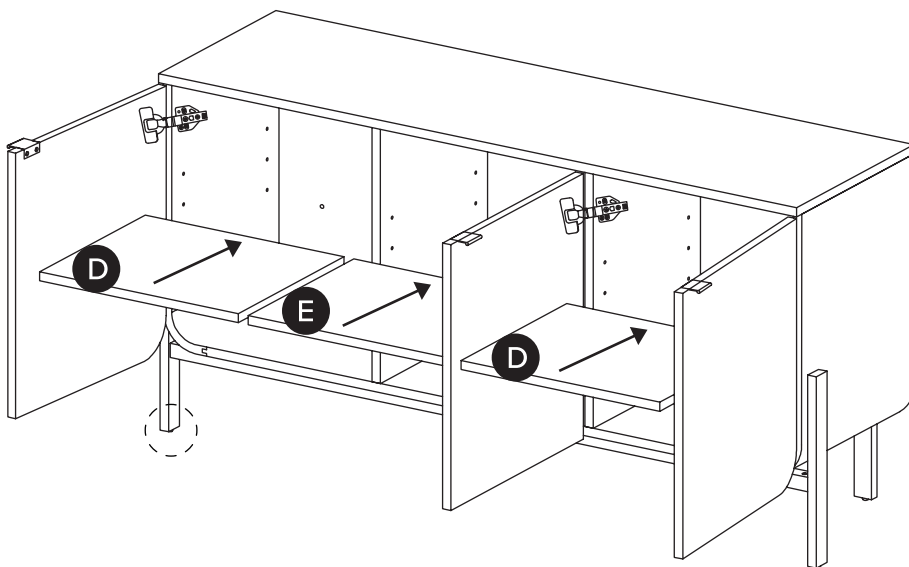


! Insert shelf pins at desired height.



8

! Once shelf pins are in place, insert shelves back.



! Adjust levelers as needed.

ARTICLE.

1010 Raymur Ave.
Vancouver, BC V6A 3T2



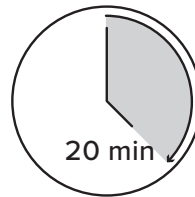
ANTI-TIP RESTRAINT INSTALLATION

WARNING!

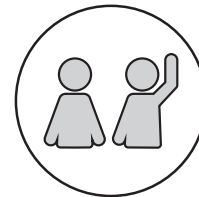
Serious or fatal crushing injuries can occur from furniture tip-over. To help prevent tip-over:

- Install tip-over restraint provided.
- Do not set heavy objects on top of this product, unless the product is specifically designed to accommodate them.
- Never allow children to climb or hang on mirrors, shelves, consoles, or cabinets with doors and/or drawers.

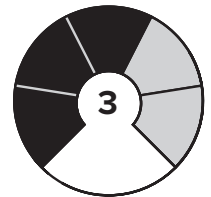
Use of tip-over restraints may only reduce but not eliminate, the risk of tip-over.



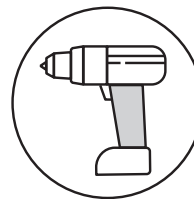
TIME



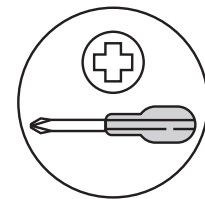
OF PEOPLE




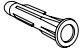



DIFFICULTY



REQUIRED TOOL
8MM / 5/16" DRILL BIT



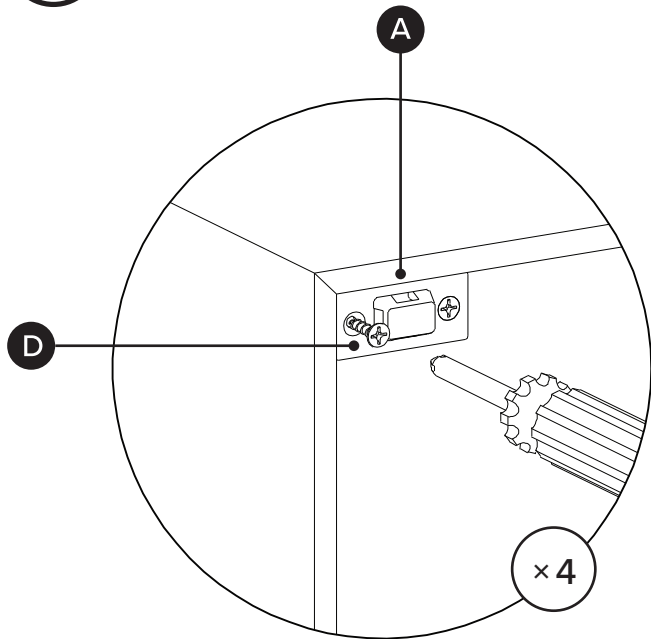
REQUIRED TOOL

PARTS INVENTORY		
ID	DESCRIPTION	QTY
A	BRACKET 	4
B	M8 × 51MM PLUG 	4
C	M6 × 70MM SCREW 	4
D	M4 × 20MM SCREW 	4
E	STRAP 	2



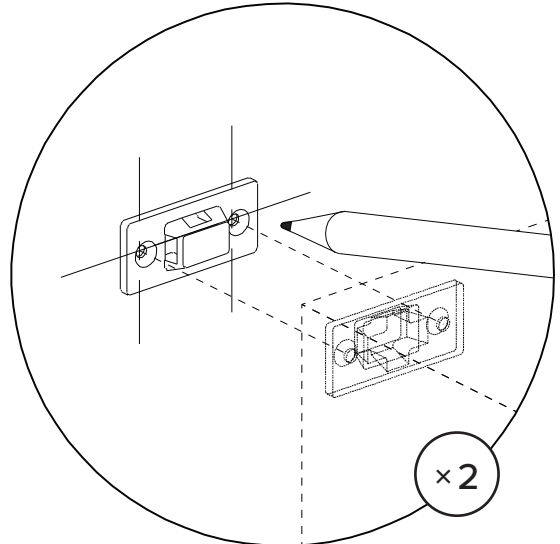
Hardware (B/C) to attach brackets to wall is designed for drywall. To attach this unit to another type of wall, consult with your local hardware store.

1



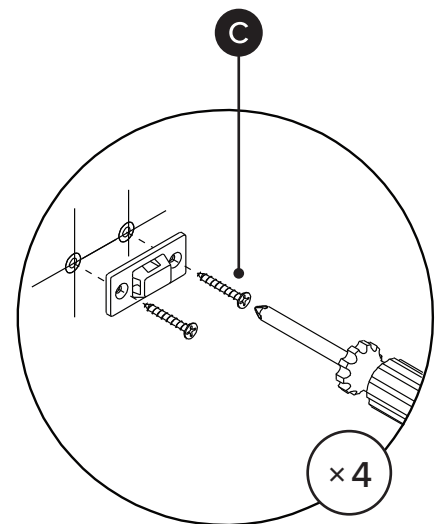
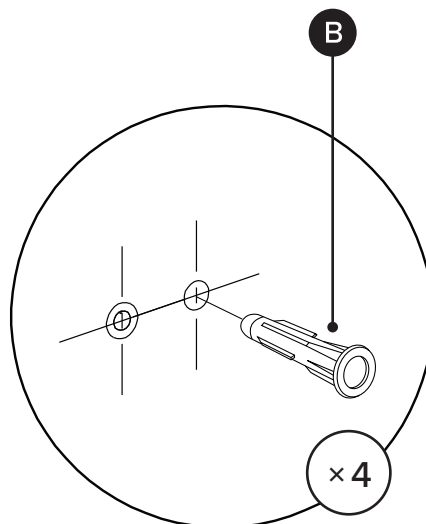
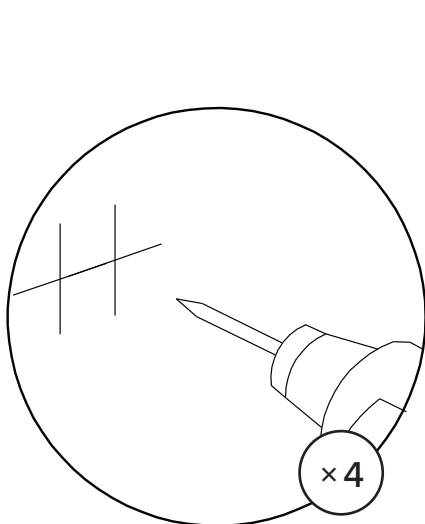
Attach pair of brackets to top corners of the back of the unit. Note there are no existing pilot holes on the product.

2



Mark on wall where second pair of brackets should be placed.

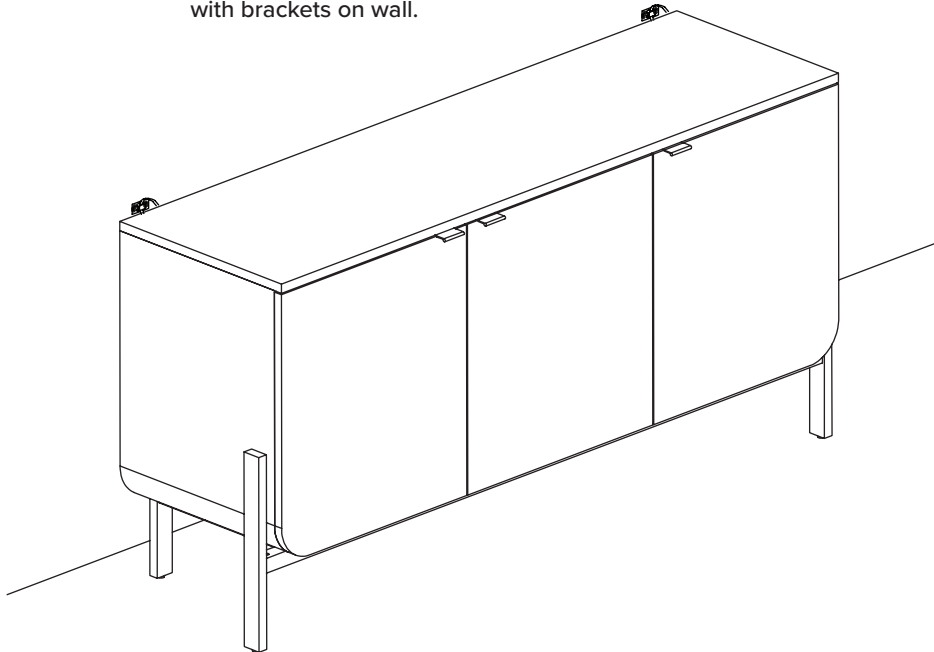
3



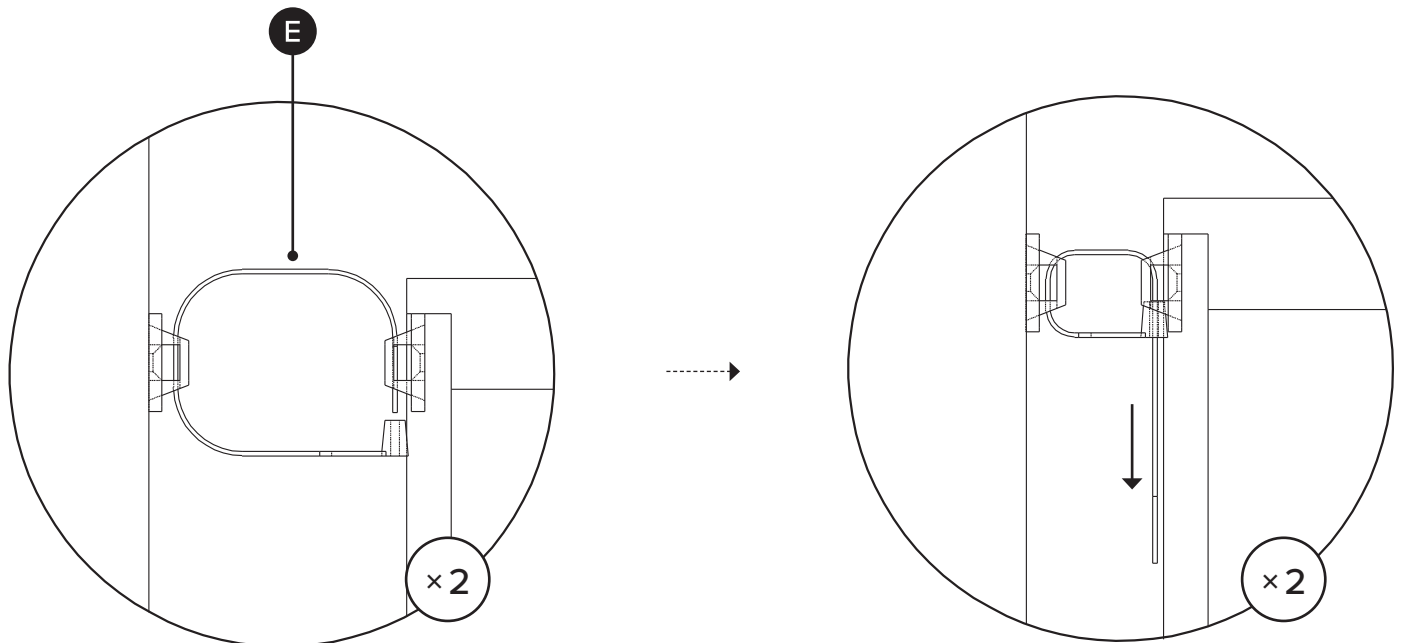
Drill holes in wall using 8mm / 5/16" drill bit.

4A

Align brackets on unit
with brackets on wall.



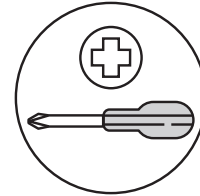
4B



Pull strap down until it snap-locks.

DOOR ADJUSTMENT INSTRUCTIONS

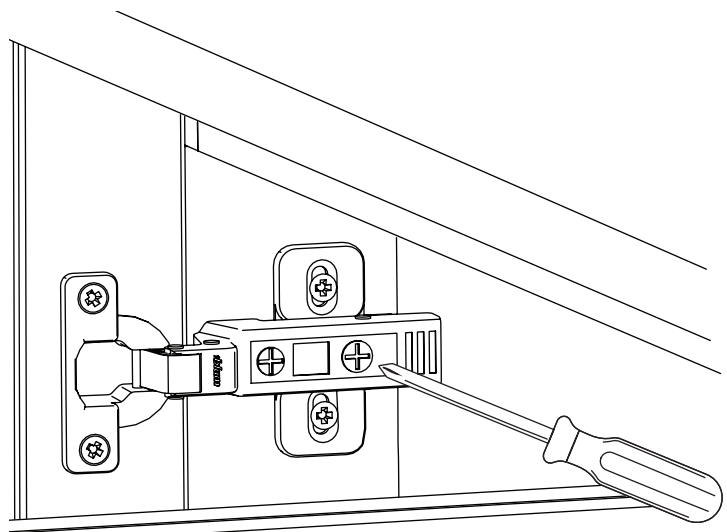
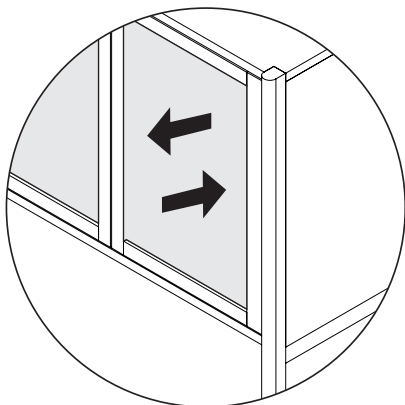
! During shipping, the doors of your cabinet may have shifted slightly. This can easily be corrected by tightening a few screws. Always start by adjusting the top hinge on the affected door.



REQUIRED TOOL

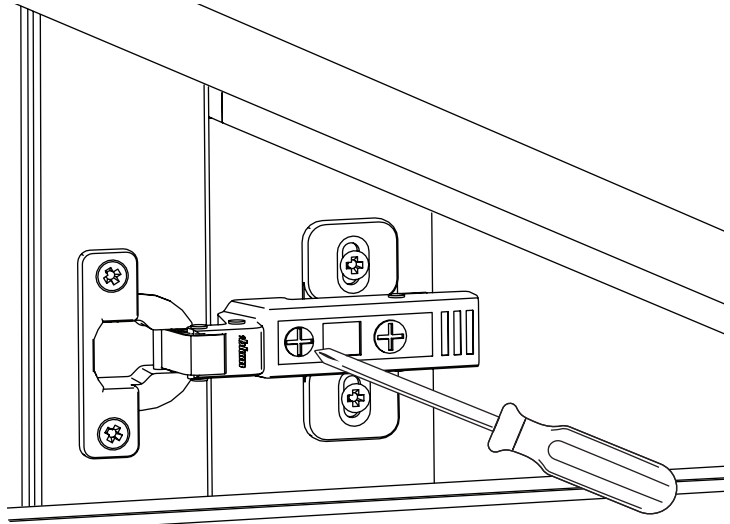
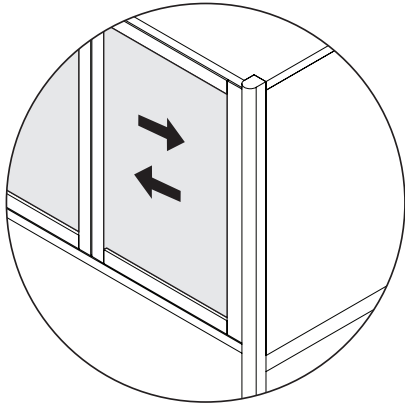
1A

If the door needs adjustment forward or backward:



1B

If the door needs adjustment side to side:



1C

If the door is crooked, adjust hinge(s) up or down:

