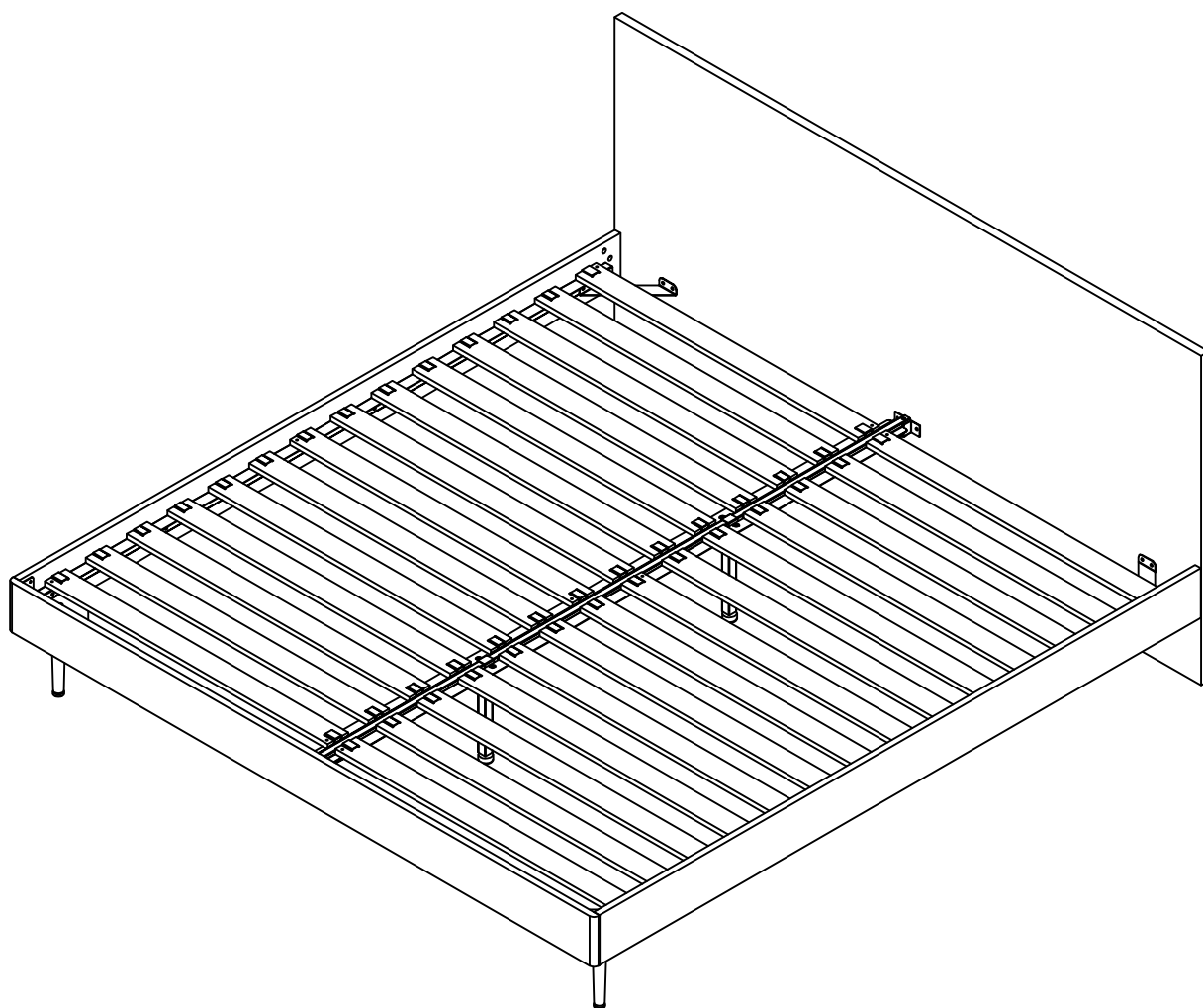


ARTICLE.

VERSION 1.0

Assembly Instructions



NERA

Queen / King Bed

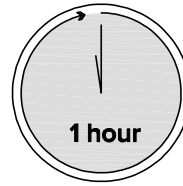
ASSEMBLY INSTRUCTIONS

Read these instructions carefully and keep for future reference. Refer to parts inventory for guidance, and ensure you have all pieces before starting.

When assembling, place all parts on a soft, clean, and flat surface such as a carpet to prevent scratches.

If you're having difficulty, our friendly Customer Care team is always here to help. Call us at **1.888.746.3455** during business hours, email **service@article.com** or chat live at **article.com**.

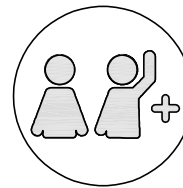
1 Structural integrity is warranted only if all fasteners are properly installed & tightened, and the bed is moved only per instructions.



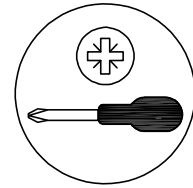
TIME



DIFFICULTY



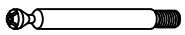
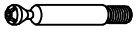







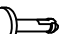

OF PEOPLE

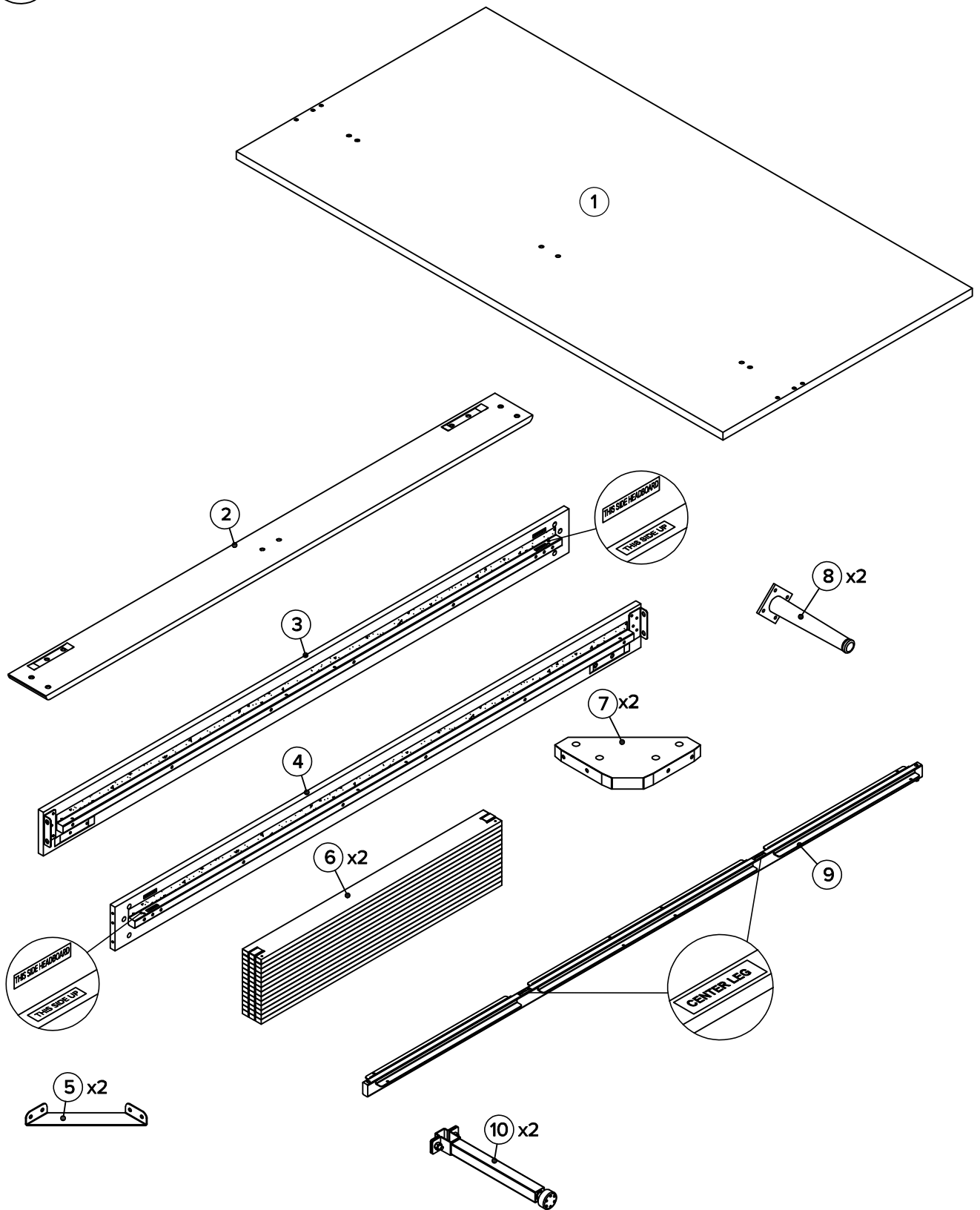


REQUIRED TOOL

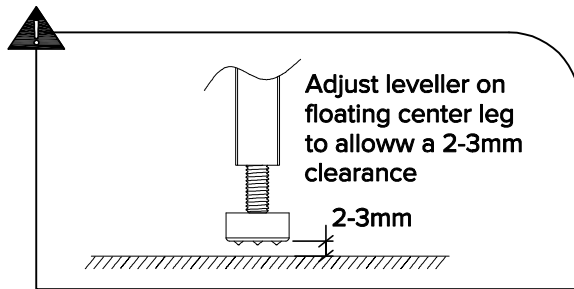
Pozidriv screwdriver

PARTS INVENTORY		
ID	DESCRIPTION	QTY
①	HEADBOARD	1
②	FOOTBOARD	1
③	LEFT SIDE RAIL	1
④	RIGHT SIDE RAIL	1
⑤	CORNER BRACKET	2
⑥	SLATS	2
⑦	LEFT CORNER PIECE	2
⑧	LEG	2
⑨	CENTER BEAM	1
⑩	CENTER BEAM LEG	2

PARTS INVENTORY CONT.		
ID	DESCRIPTION	QTY
Ⓐ	LONG COMPRESSION FITTING ANCHOR 	4
Ⓑ	SHORT COMPRESSION FITTING ANCHOR 	10
Ⓒ	M8 x 8MM SCREW 	14
Ⓓ	CENTER BEAM BRACKET 	2
Ⓔ	M6 x 12MM BOLT 	12
Ⓕ	M6 x 20MM BOLT 	8
Ⓖ	M8 x 15MM BOLT 	4
Ⓕ	M8 x 50MM BOLT 	2
Ⓖ	ALLEN KEY 	1
Ⓖ	PLUG 	12
Ⓖ	TEFLON PAD 	2

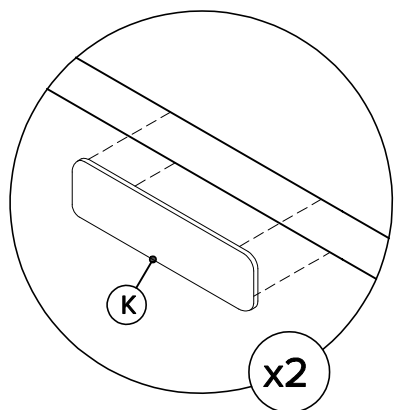
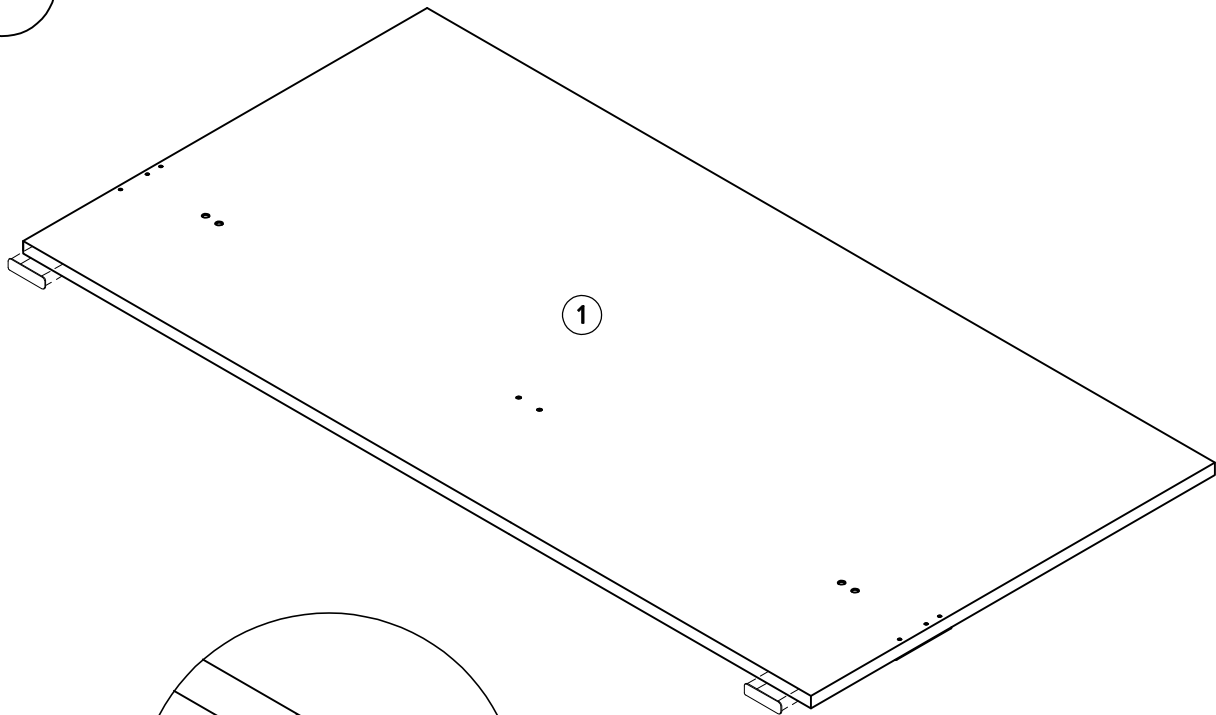


i



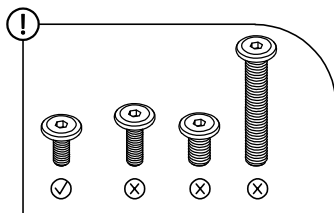
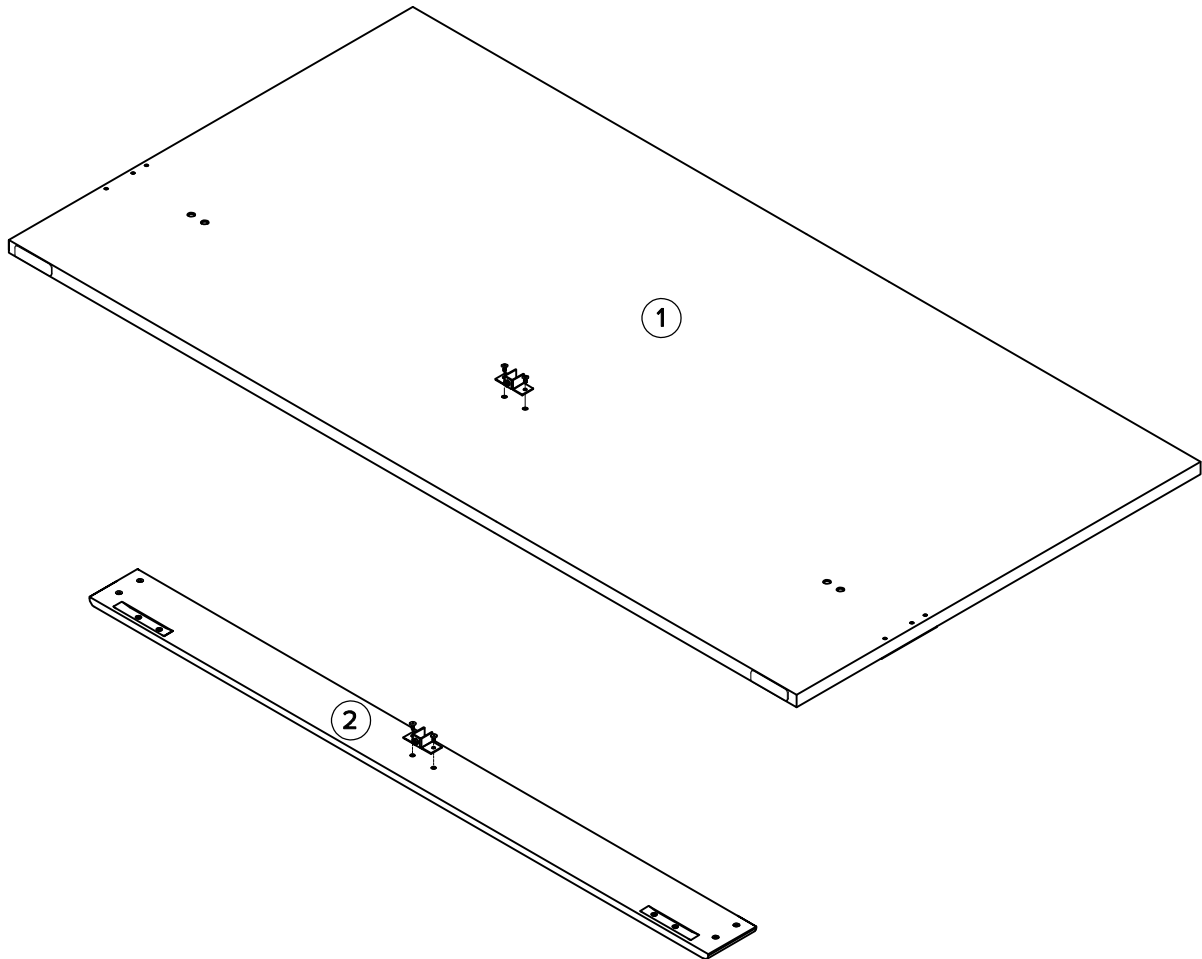
! Please ensure products are laid on a smooth and soft surface while assembling in order to avoid unexpected scratches and dents.

1A

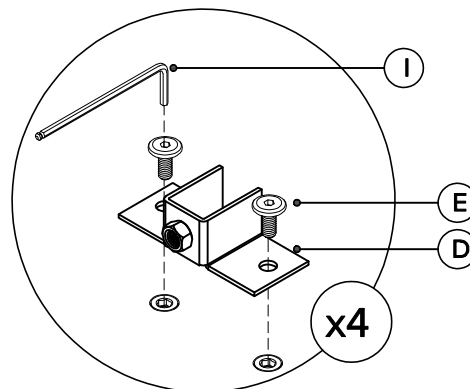


! First remove plastic backing from teflon pads (K). Stick on bottom side of headboard (1) approx. 1/4" in from the edges.

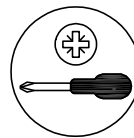
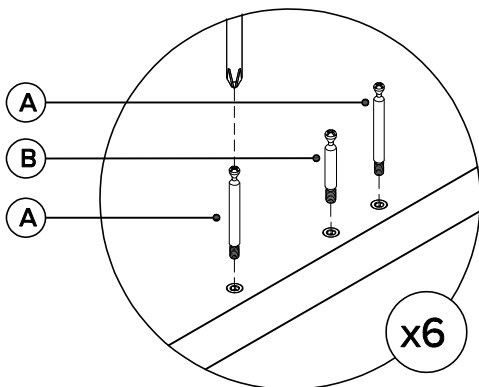
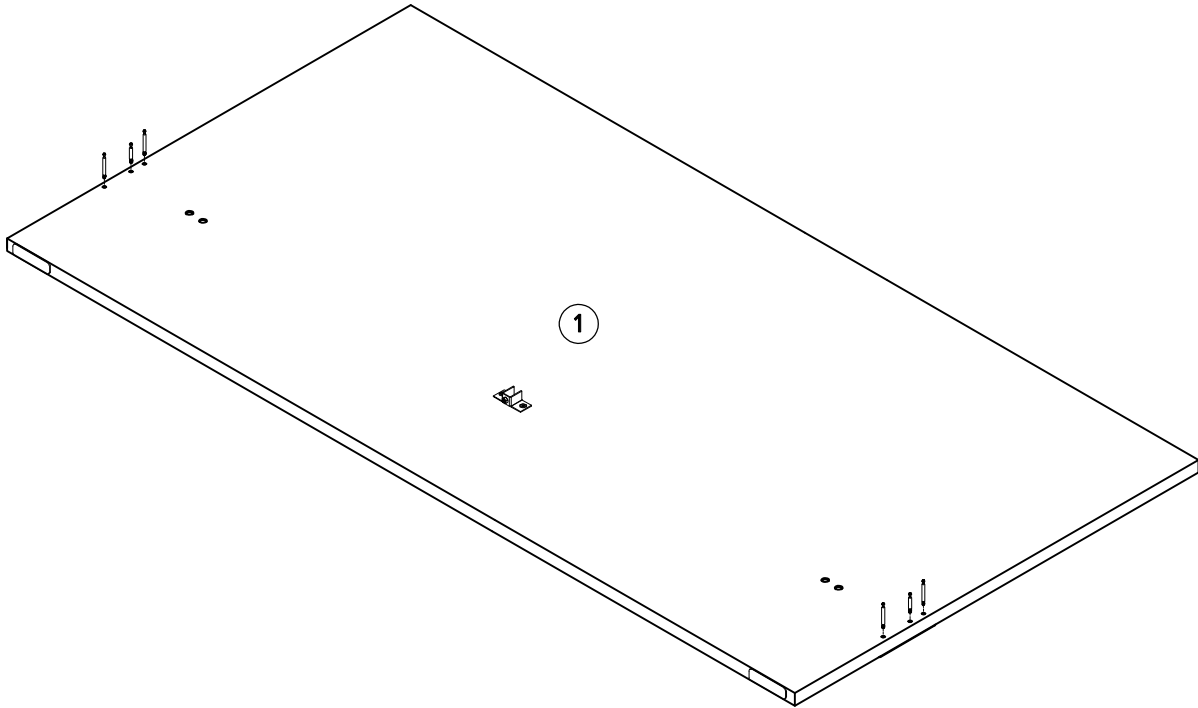
1B



ⓘ Use the 4 shortest bolts (E) provided.

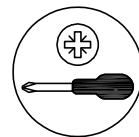
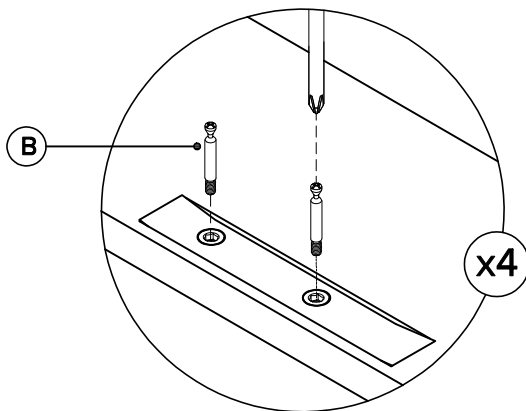
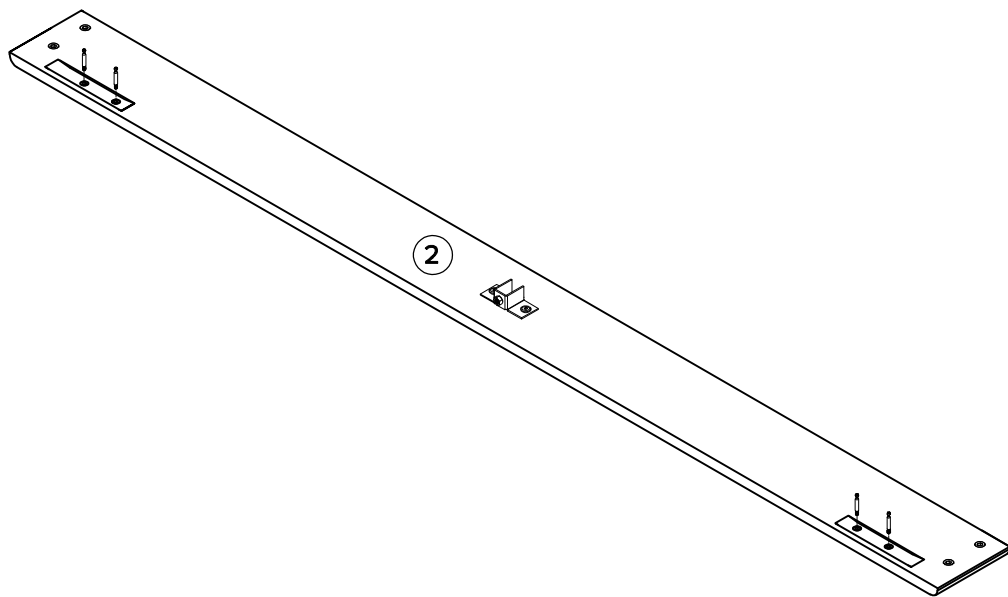


2



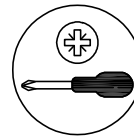
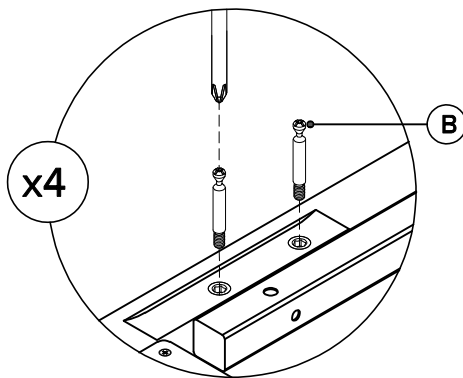
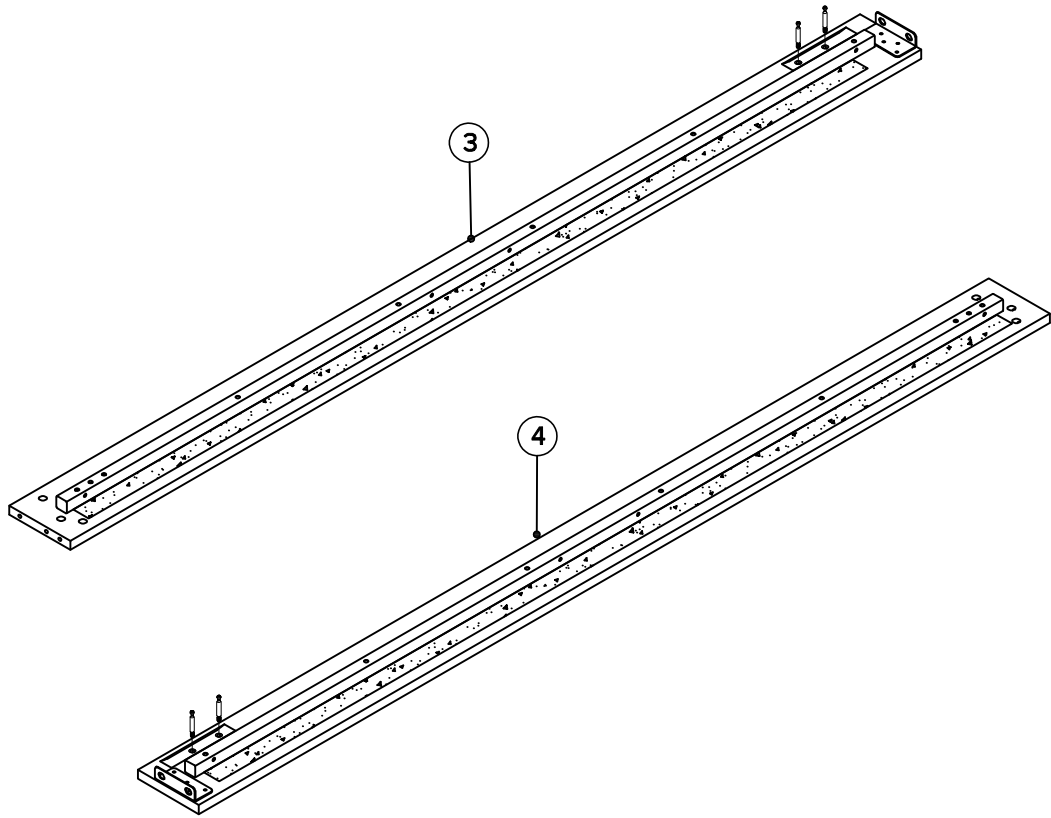
! NOT using power tool, only using the recommended hand tools

3



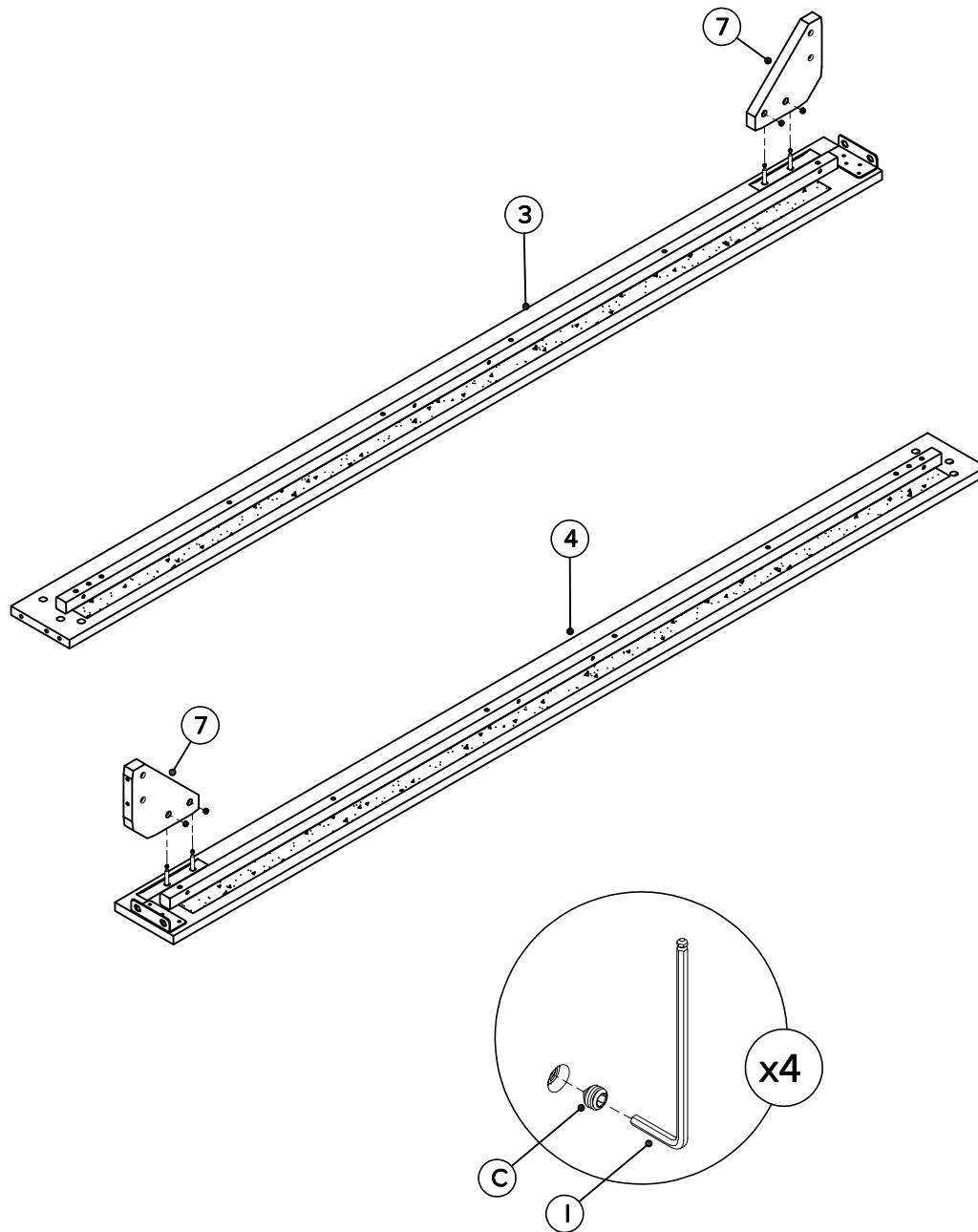
! NOT using power tool, only using the recommended hand tools

4

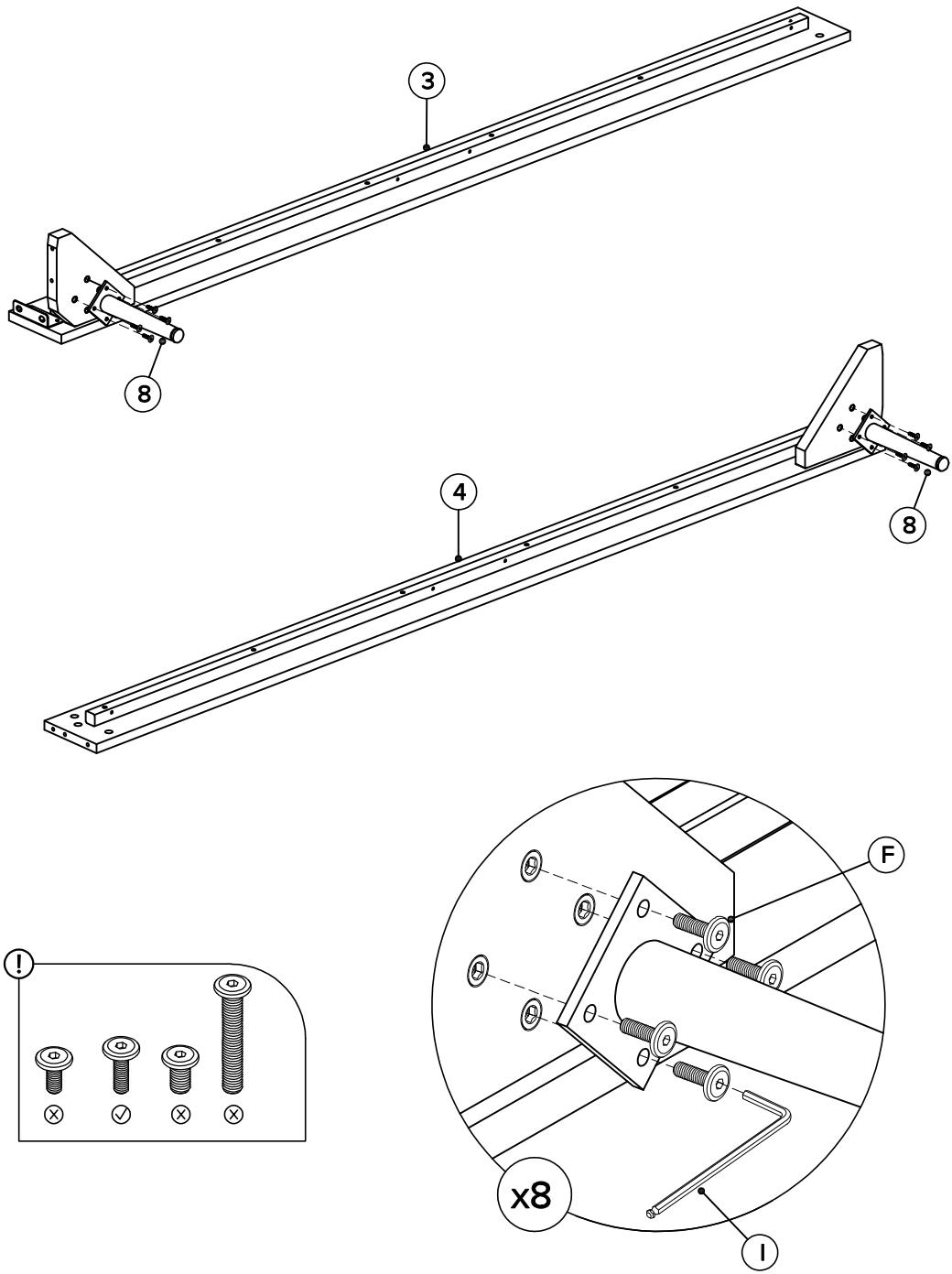


! NOT using power tool, only using the recommended hand tools

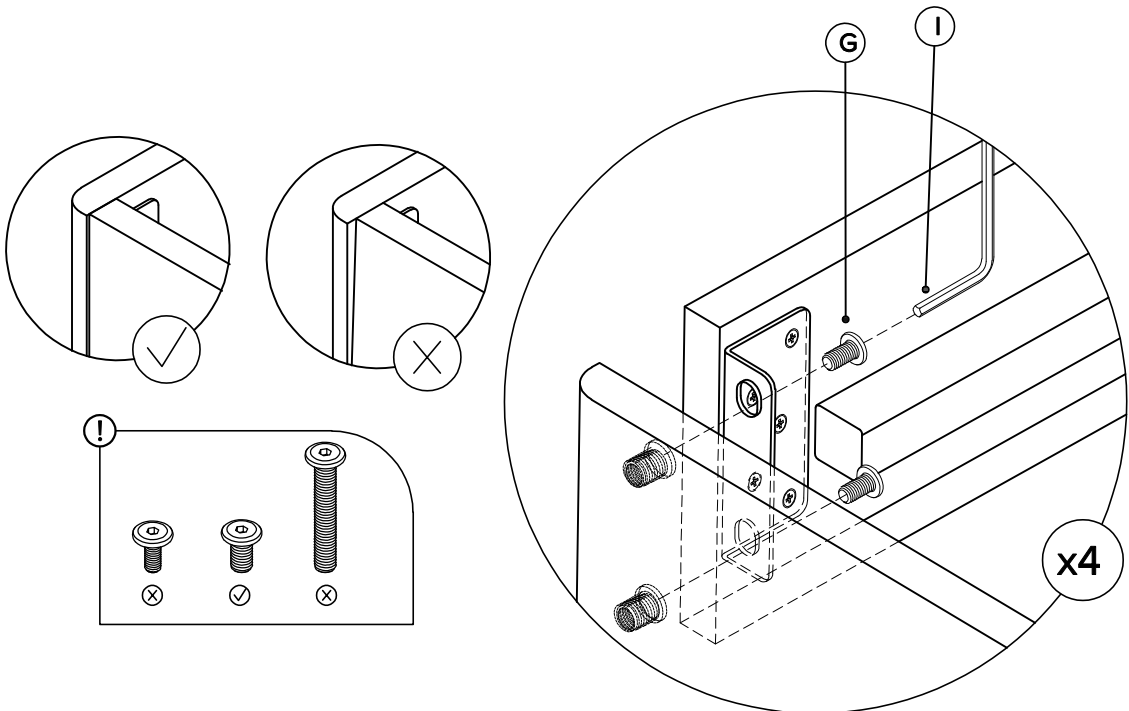
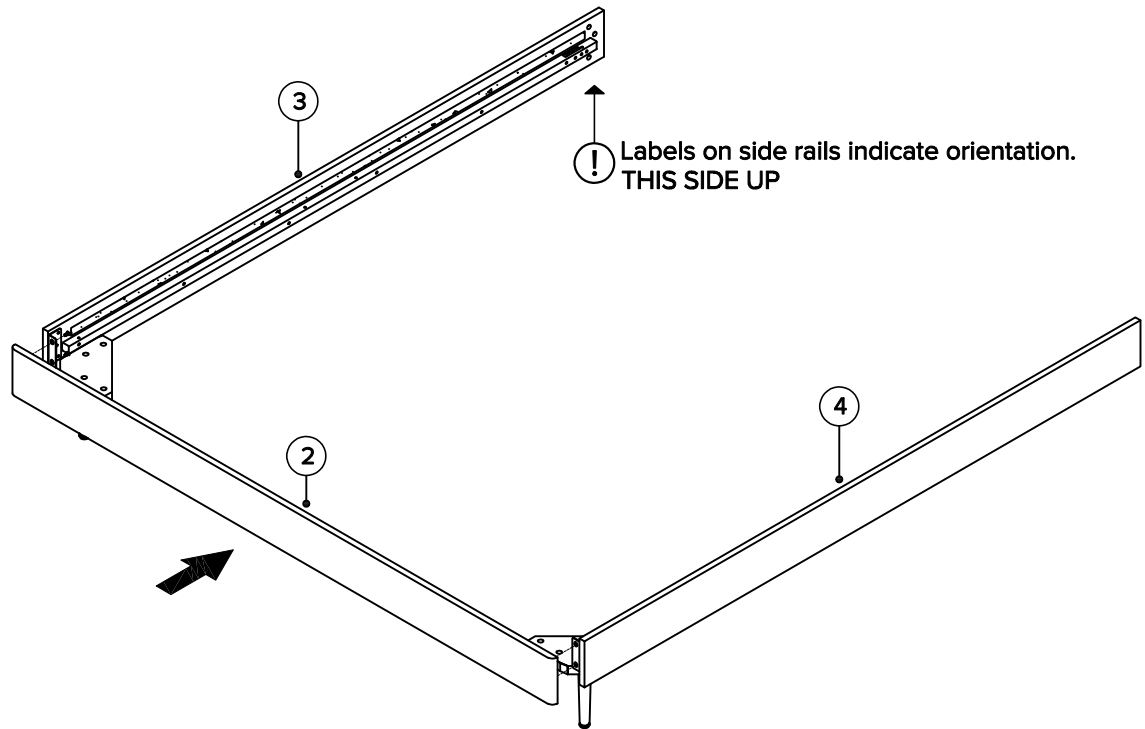
5A



5B

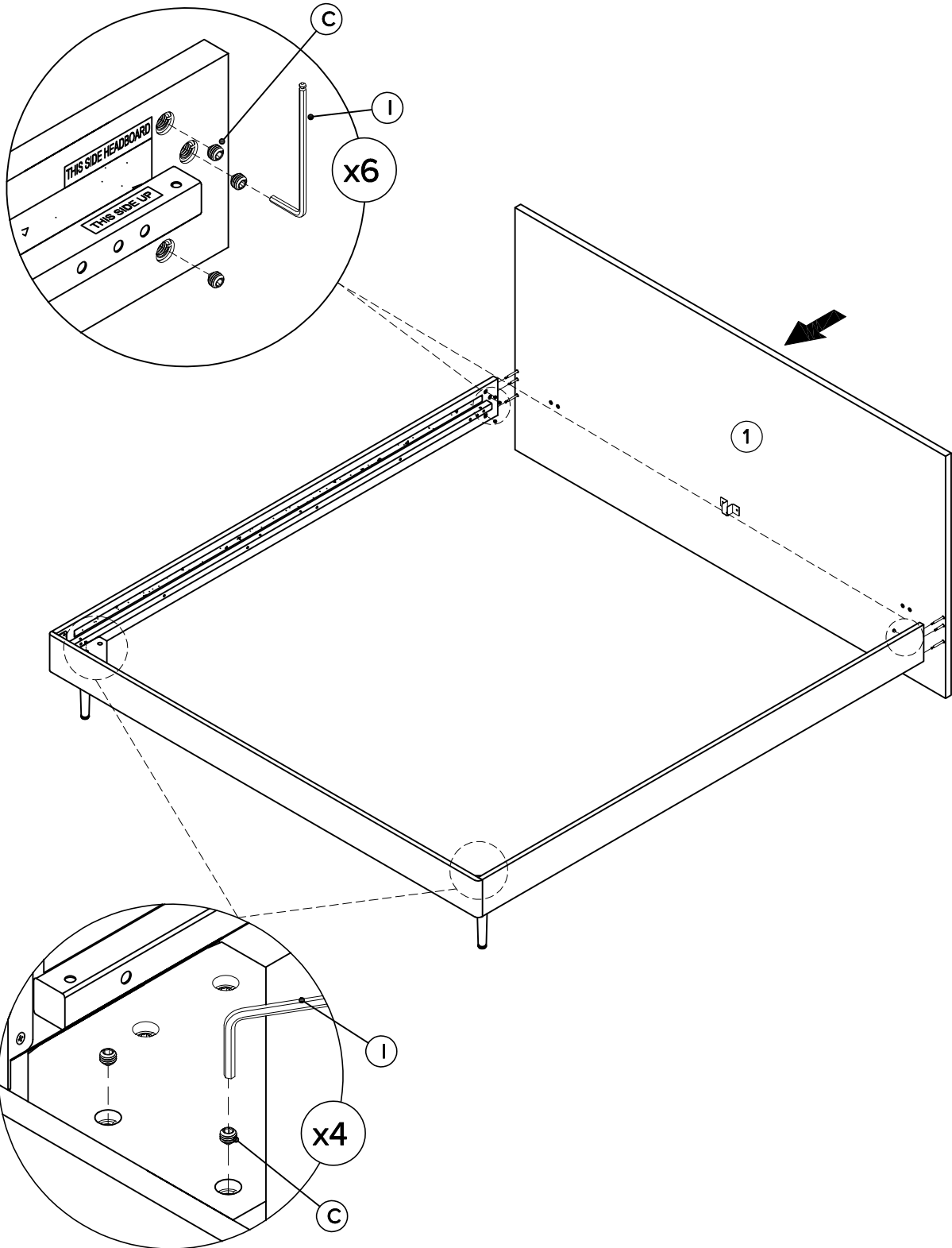


6

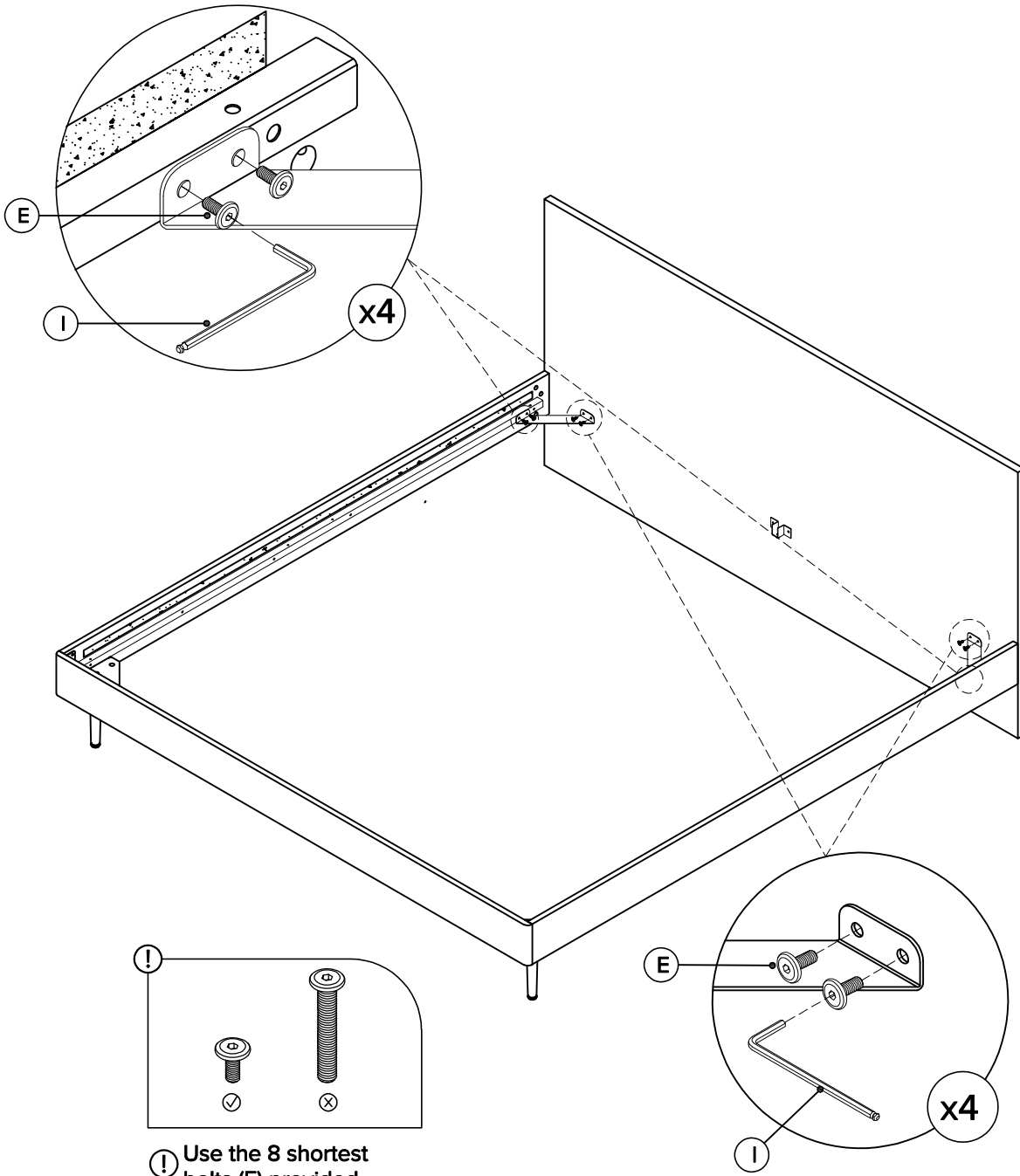


! Ensure side rails (3/4) are perpendicular and flushed with footboard (2) when tightening bolts (G).

7

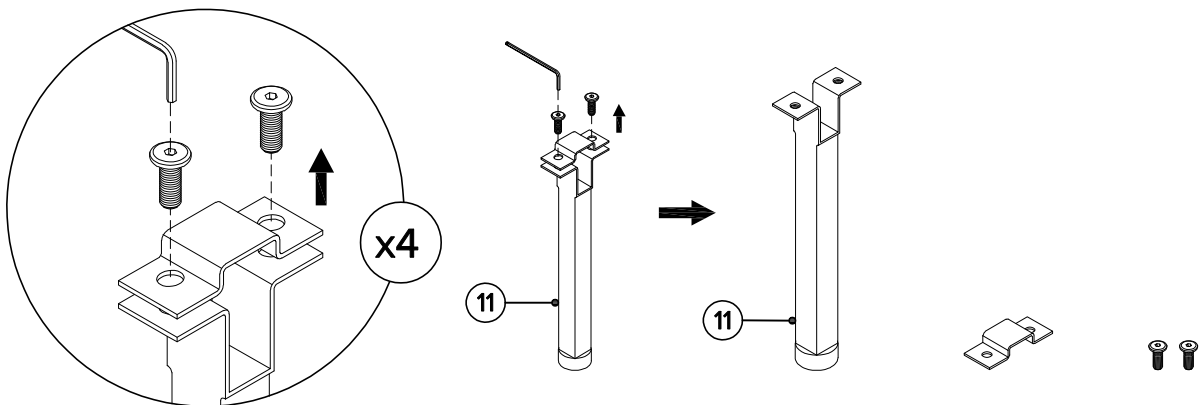


8



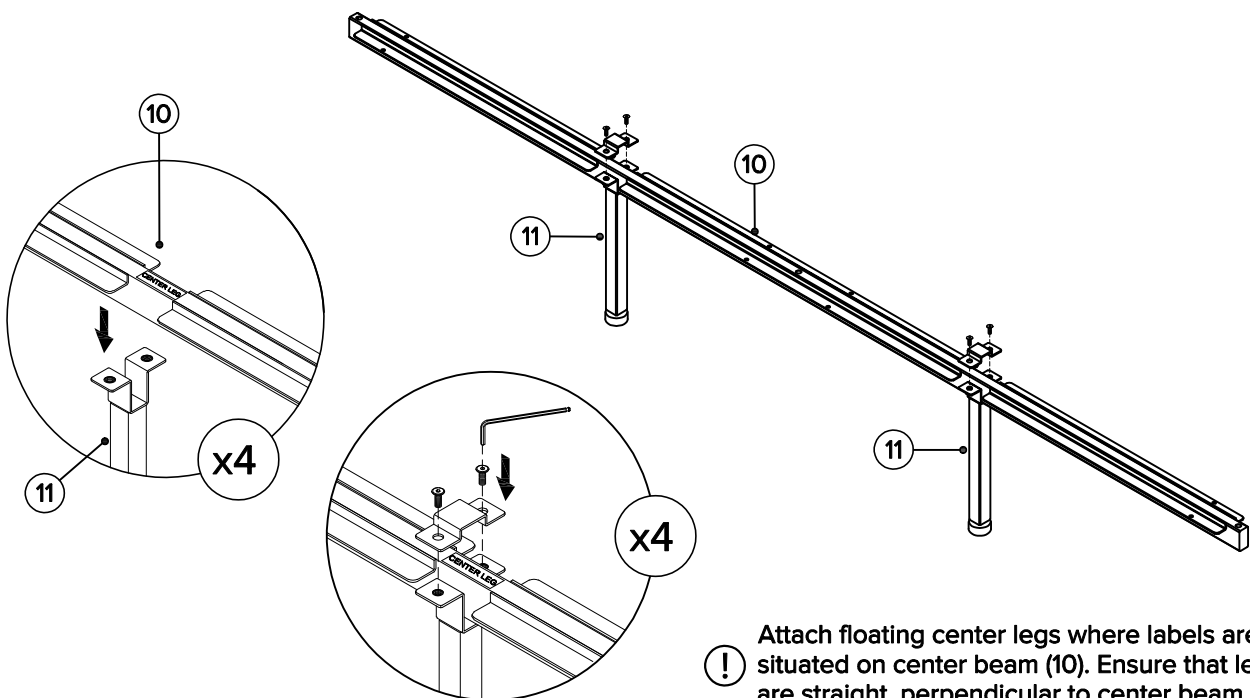
⚠ Use the 8 shortest bolts (E) provided.

9 TO REMOVE



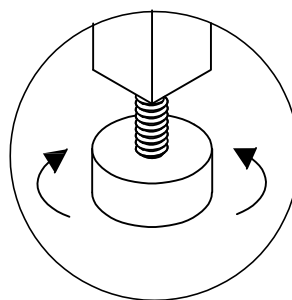
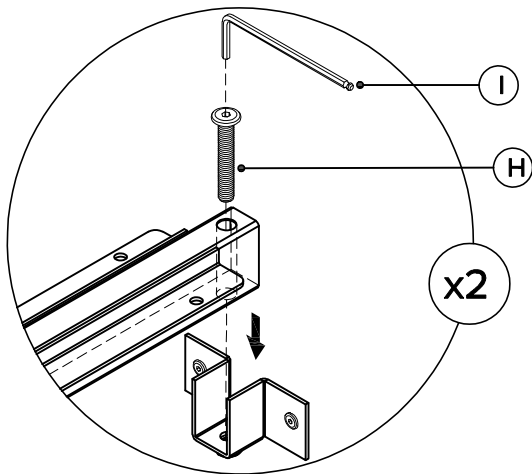
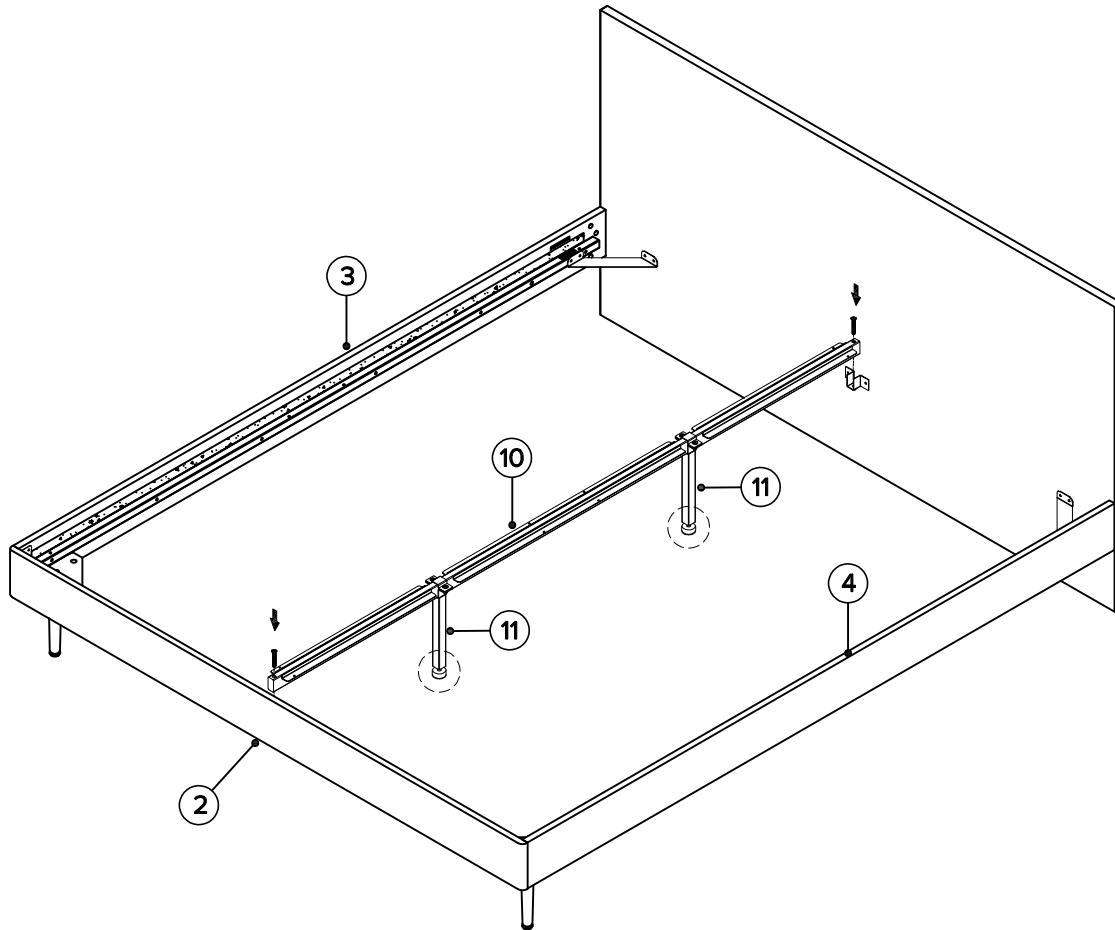
! Unscrew bolts from center leg brackets and floating center legs (11) before attaching to center beam (10)

10B TO ASSEMBLY



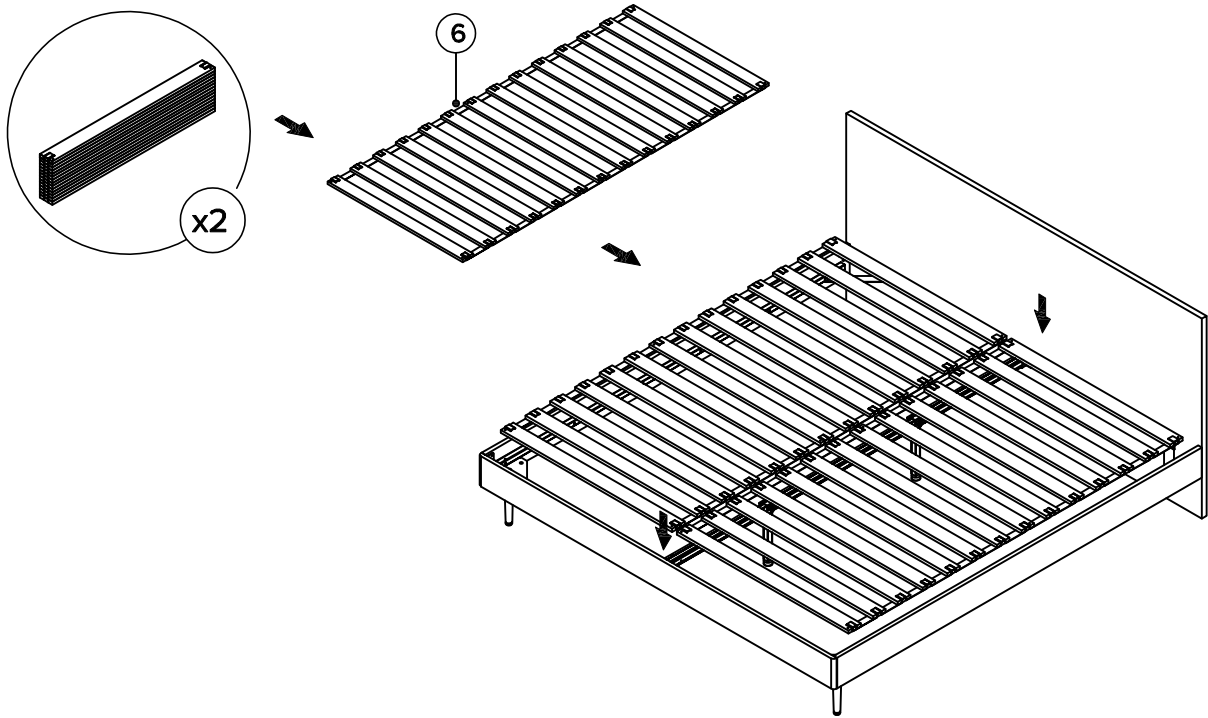
! Attach floating center legs where labels are situated on center beam (10). Ensure that legs are straight, perpendicular to center beam.

10A

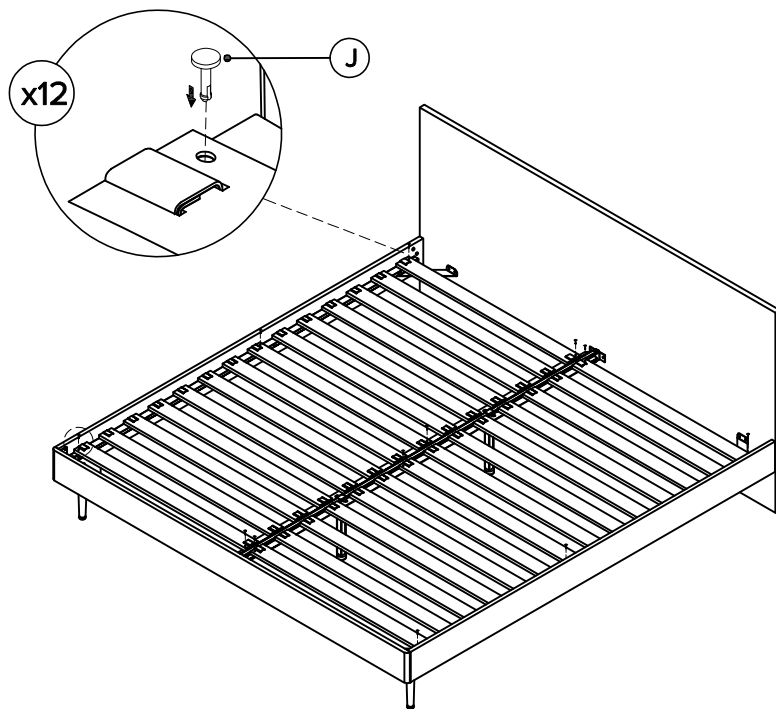


⚠ Adjust levelers on floating center legs to allow for a 2-3mm clearance.

11



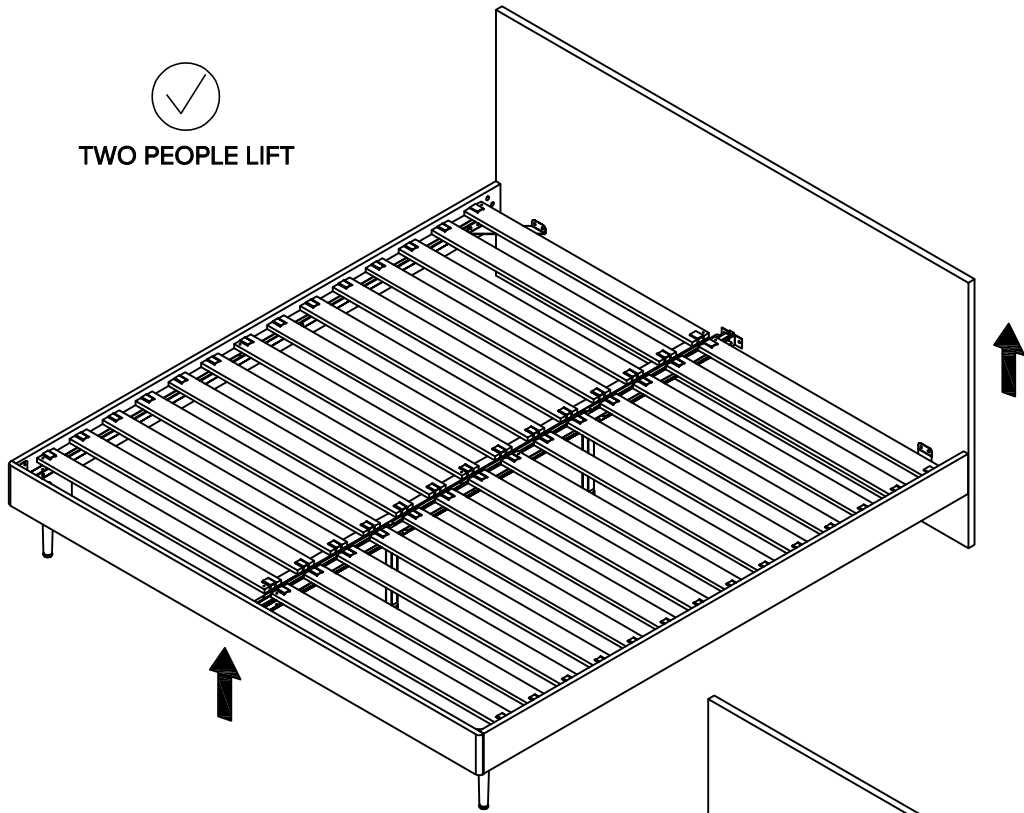
12B



12A



TWO PEOPLE LIFT



DO NOT DRAG BED FROM SIDE

