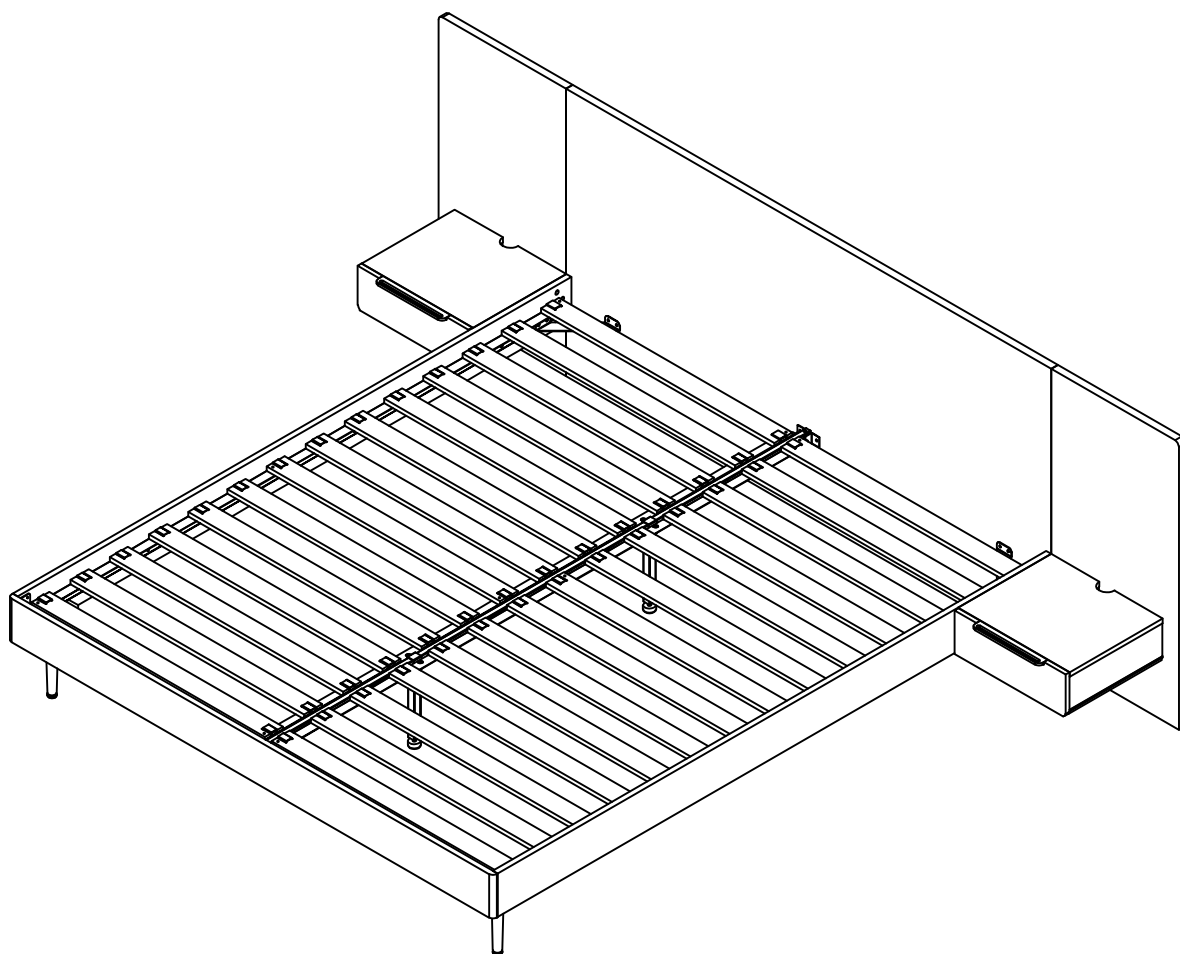


# ARTICLE.

VERSION 1.0

## Assembly Instructions



# NERA

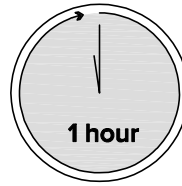
Queen / King / Cali Bed with Nightstands

## ASSEMBLY INSTRUCTIONS

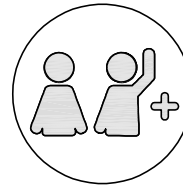
Read these instructions carefully and keep for future reference. Refer to parts inventory for guidance, and ensure you have all pieces before starting.

When assembling, place all parts on a soft, clean, and flat surface such as a carpet to prevent scratches.

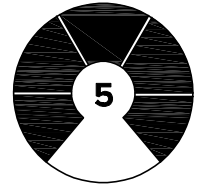
If you're having difficulty, our friendly Customer Care team is always here to help. Call us at **1.888.746.3455** during business hours, email **service@article.com** or chat live at **article.com**.



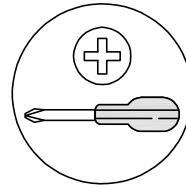
TIME



# OF PEOPLE

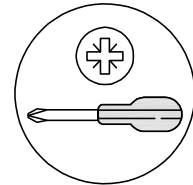


DIFFICULTY



REQUIRED TOOL

Phillips screwdriver



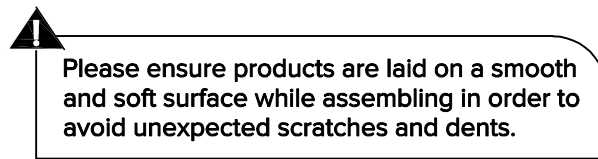
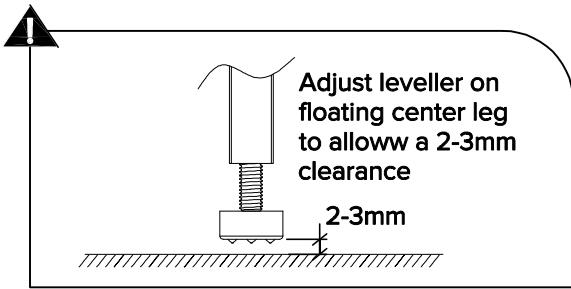
REQUIRED TOOL

Pozidriv screwdriver

**1** Structural integrity is warranted only if all fasteners are properly installed & tightened, and the bed is moved only per instructions.

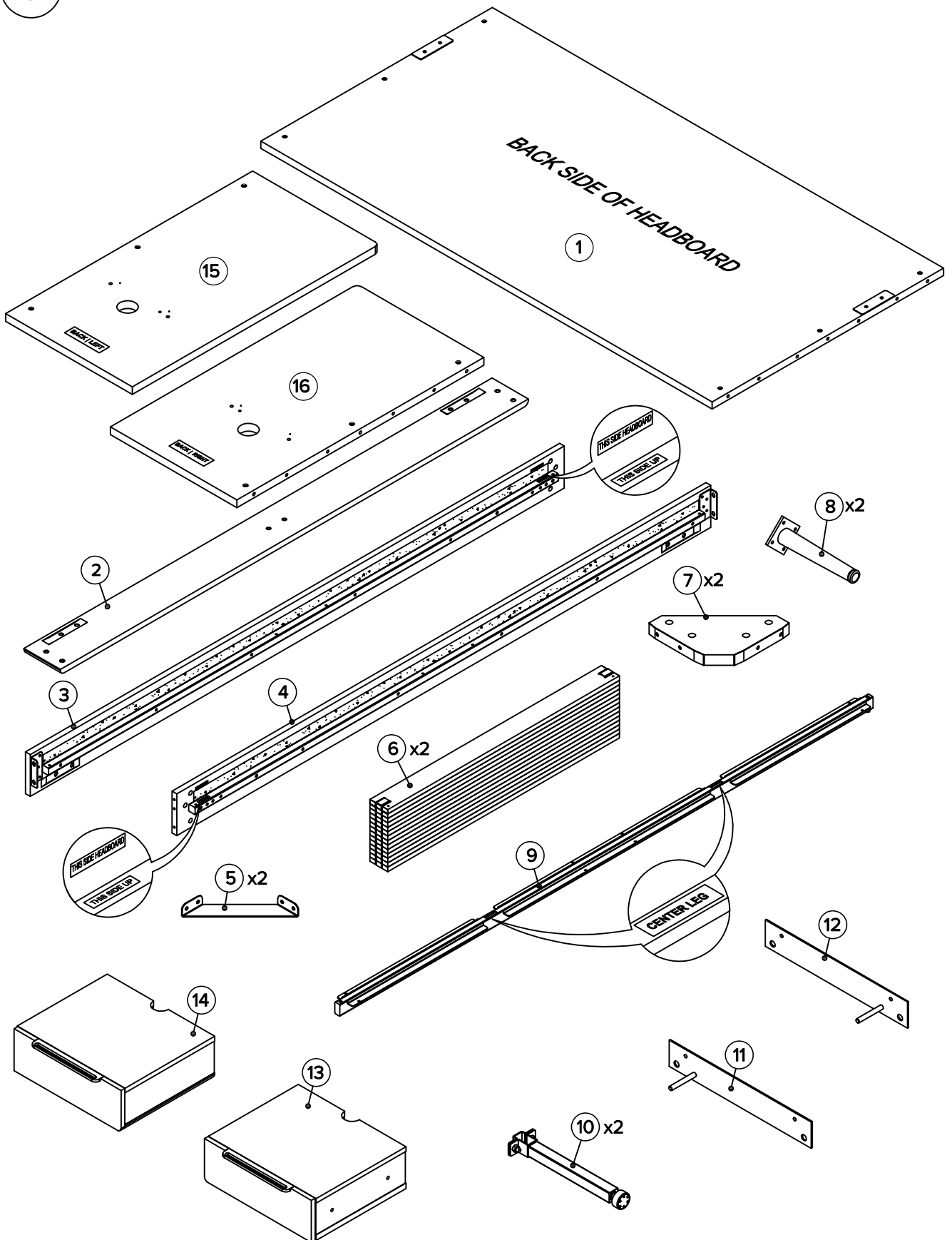
PARTS INVENTORY		
ID	DESCRIPTION	QTY
①	HEADBOARD	1
②	FOOTBOARD	1
③	LEFT SIDE RAIL	1
④	RIGHT SIDE RAIL	1
⑤	CORNER BRACKET	2
⑥	SLATS	2
⑦	CORNER PIECE	2
⑧	LEG	2

PARTS INVENTORY		
ID	DESCRIPTION	QTY
⑨	CENTER BEAM	1
⑩	CENTER BEAM LEG	2
⑪	LEFT NIGHTSTAND MOUNTING BRACKET	1
⑫	RIGHT NIGHTSTAND MOUNTING BRACKET	1
⑬	LEFT NIGHTSTAND	1
⑭	RIGHT NIGHTSTAND	1
⑮	LEFT SIDE HEADBOARD	1
⑯	RIGHT SIDE HEADBOARD	1

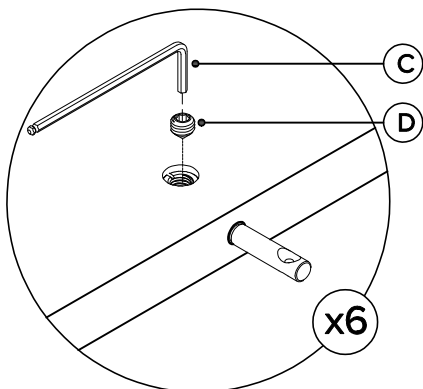
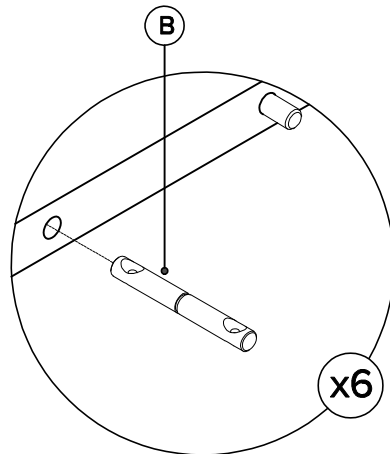
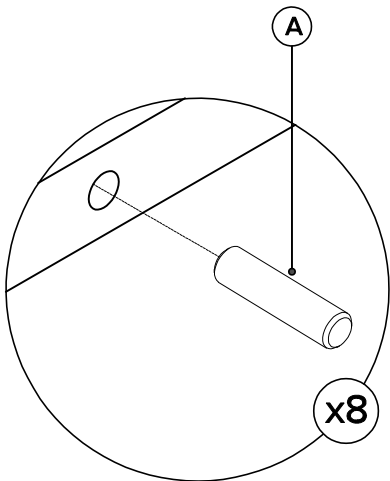
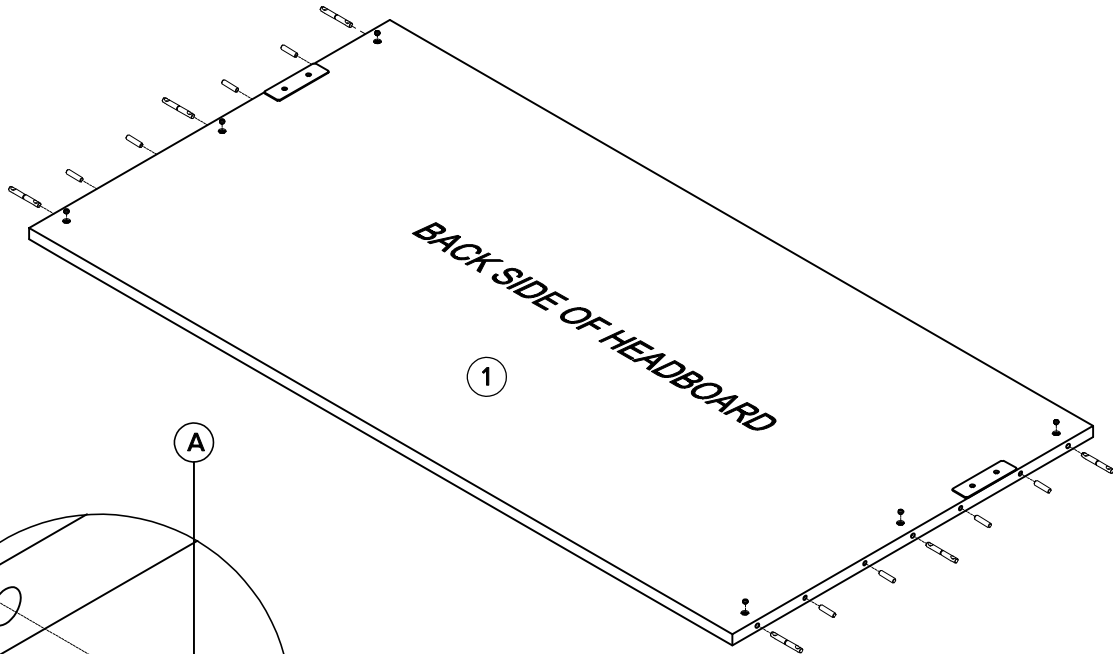


PARTS INVENTORY CONT.			
ID	DESCRIPTION		QTY
A	WOOD DOWEL		8
B	DOUBLE COMPRESSION FITTING ANCHOR		6
C	ALLEN KEY		1
D	M10 x 10MM SCREW		12
E	TEFLON PAD		2
F	THIN ALLEN KEY		1
G	M6 x 12MM BOLT		12
H	CENTER BEAM BRACKET		2
I	LONG COMPRESSION FITTING ANCHOR		4

PARTS INVENTORY CONT.			
ID	DESCRIPTION		QTY
J	SHORT COMPRESSION FITTING ANCHOR		10
K	M6 x 20MM BOLT		8
L	M8 x 15MM BOLT		4
M	M8 x 8MM SCREW		14
N	M8 x 50MM BOLT		2
O	M4 x 17MM SCREW		4
P	M8 x 60MM BOLT		4
Q	M8 x 40MM BOLT		4
R	PLUG		12



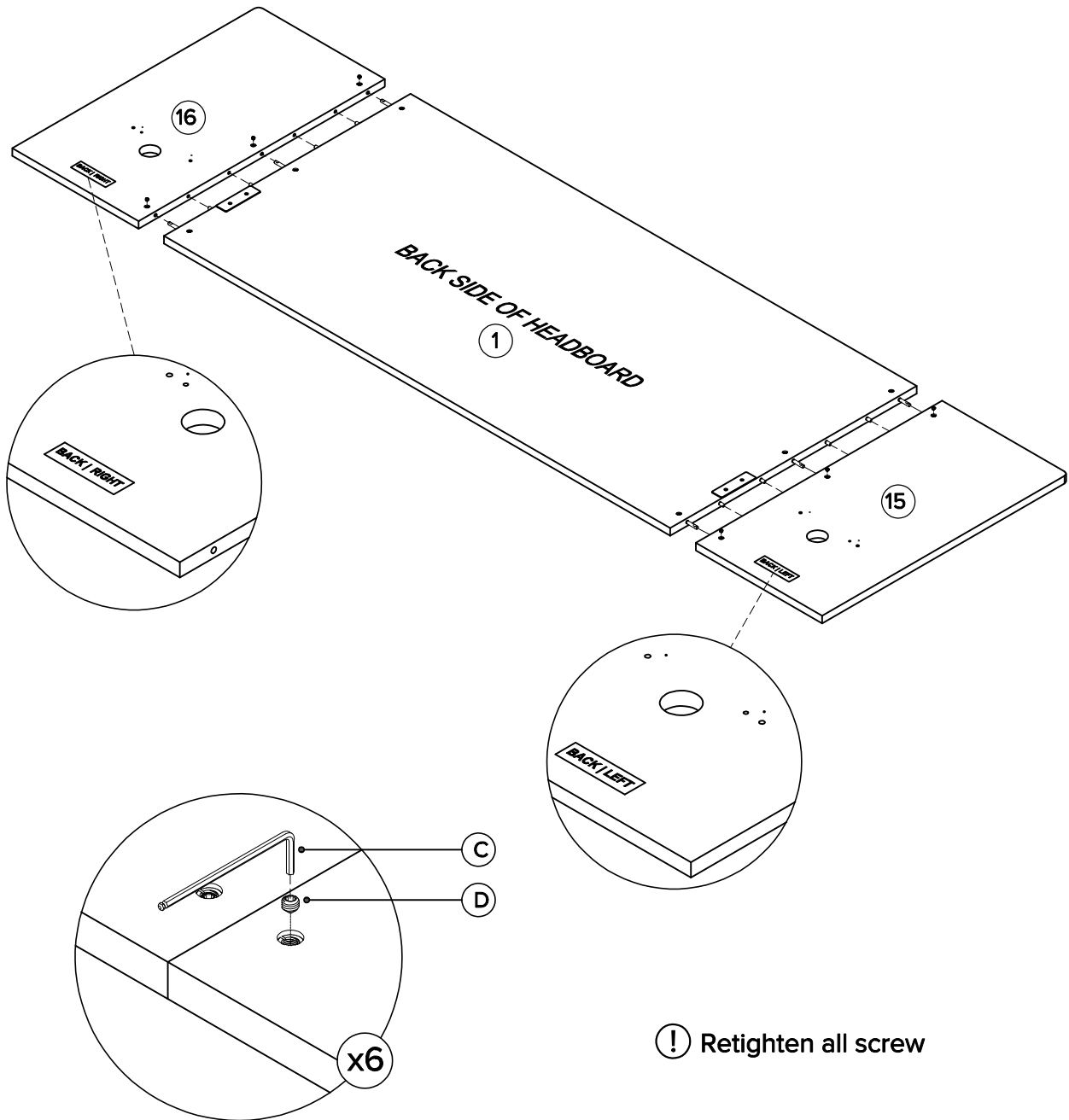
1A



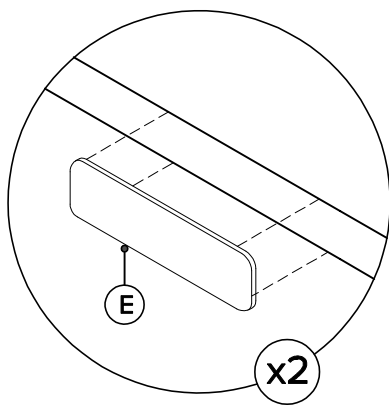
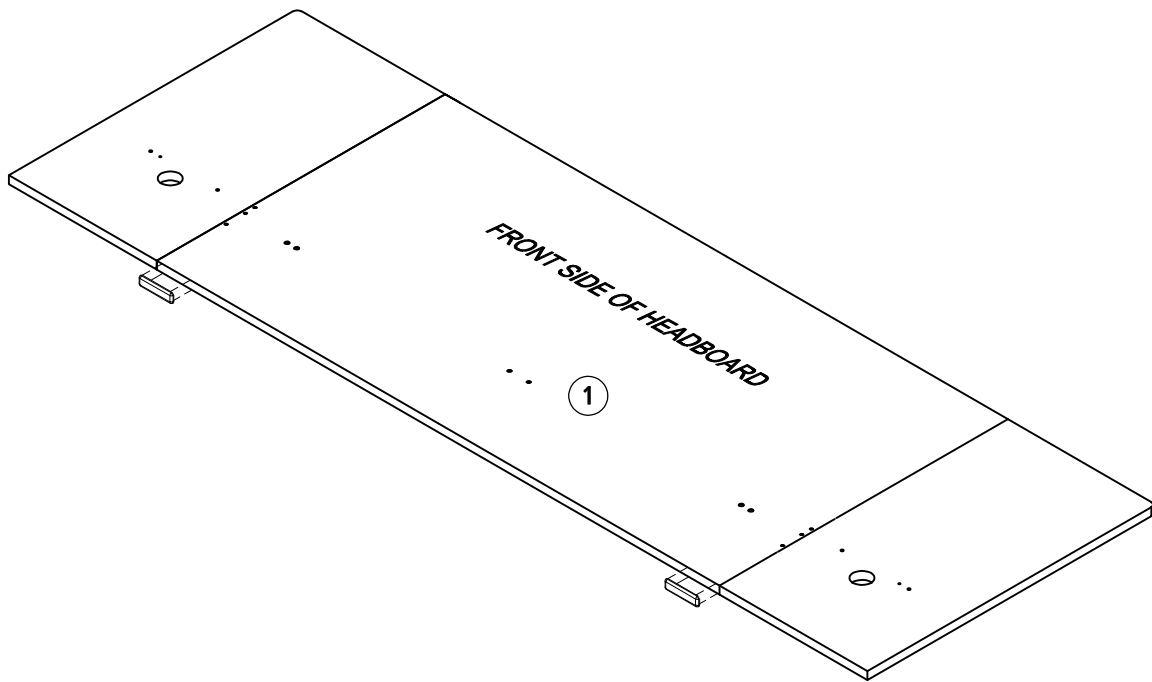
ⓘ Holes on double compression fitting anchors (B) must be facing inwards on headboard (1)

ⓘ Do not fully tighten

1B

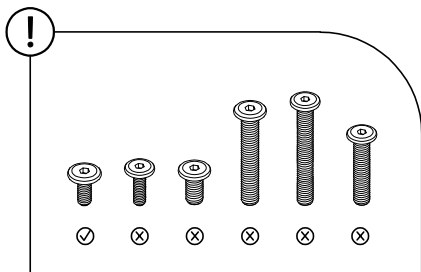
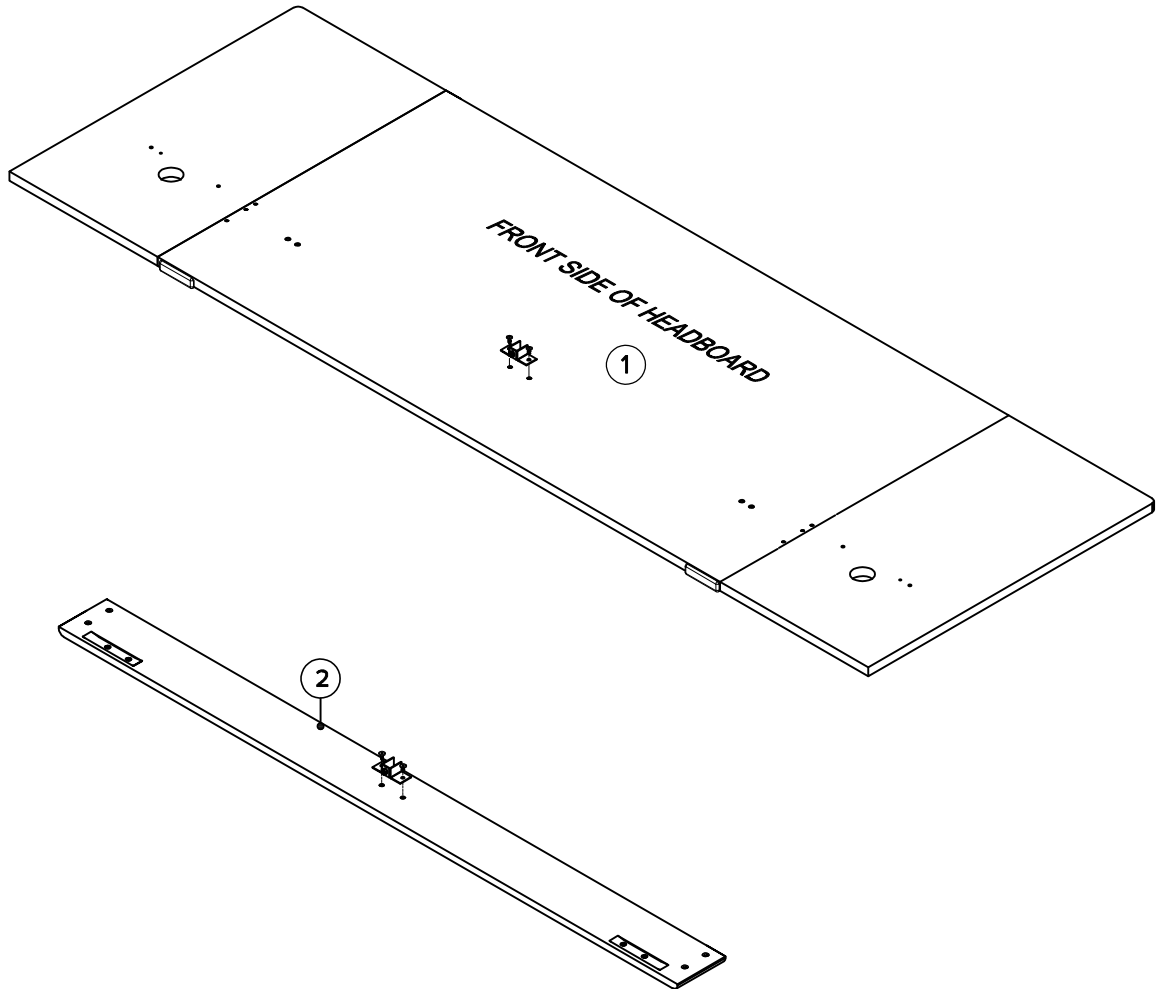


2

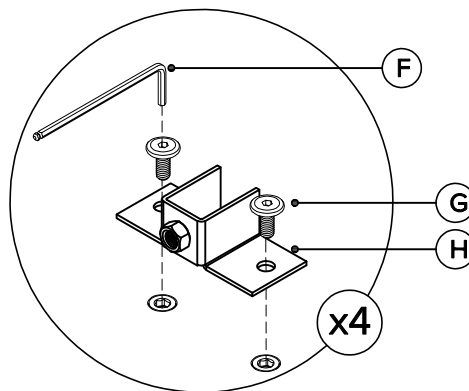


! First remove plastic backing from teflon pads (E). Stick on bottom side of headboard (1) approx. 1/4" in from the edges.

3

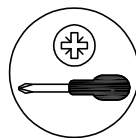
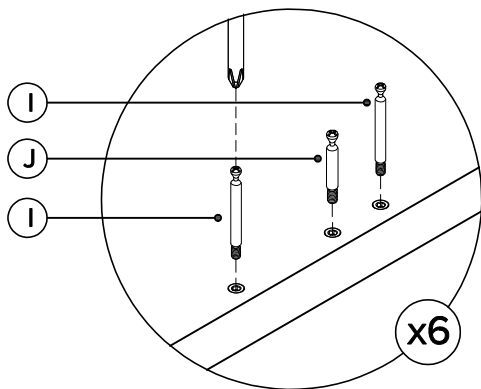
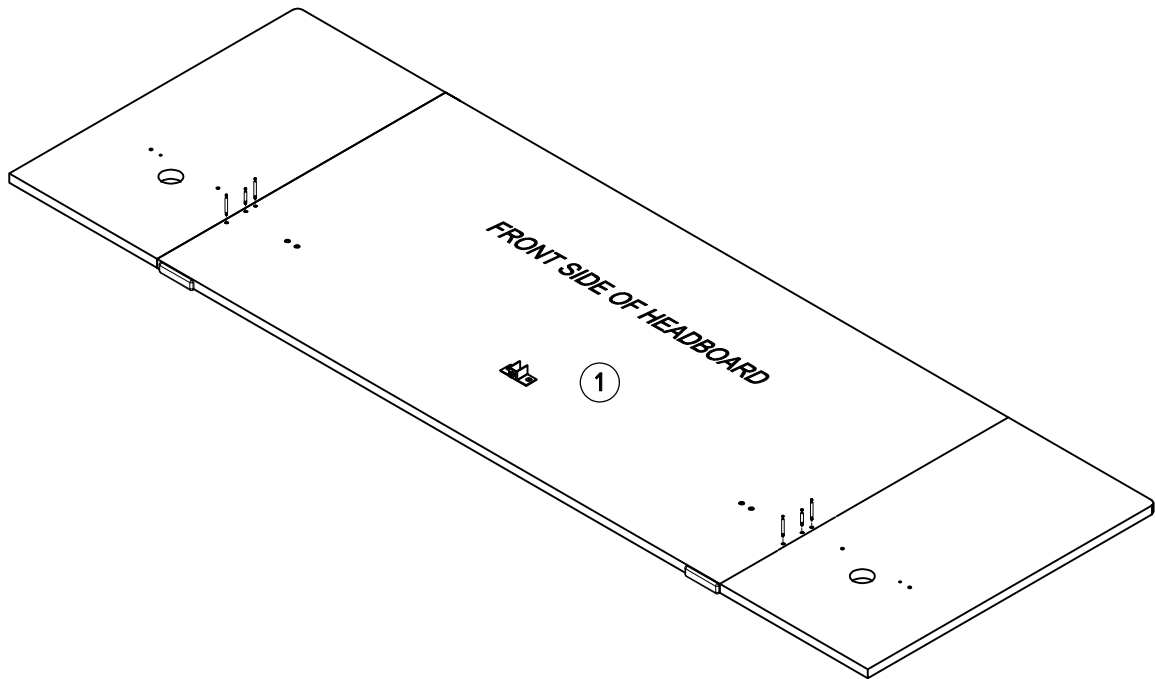


! Use the 4 shortest bolts (G) provided.



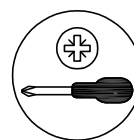
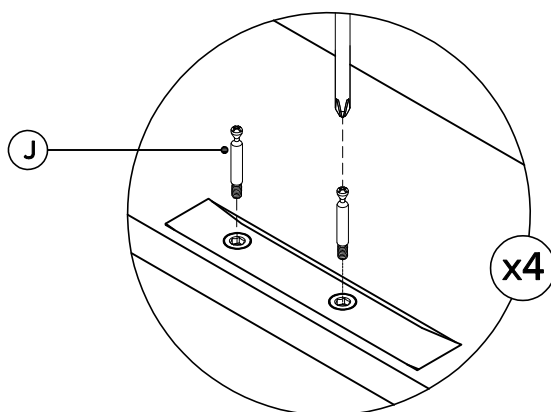
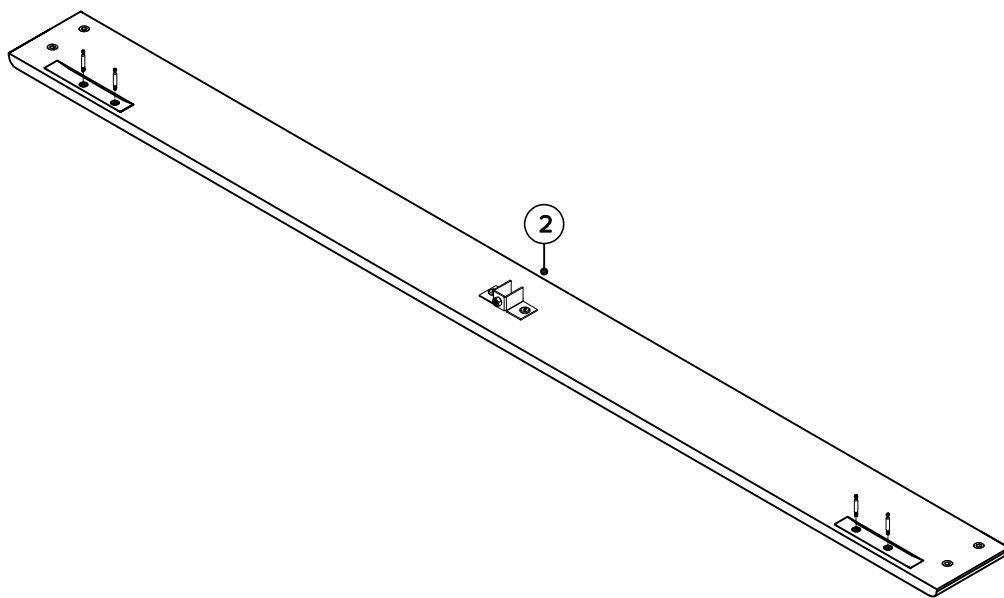


4



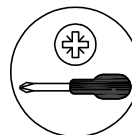
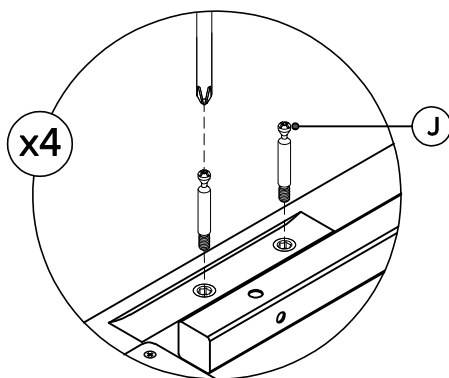
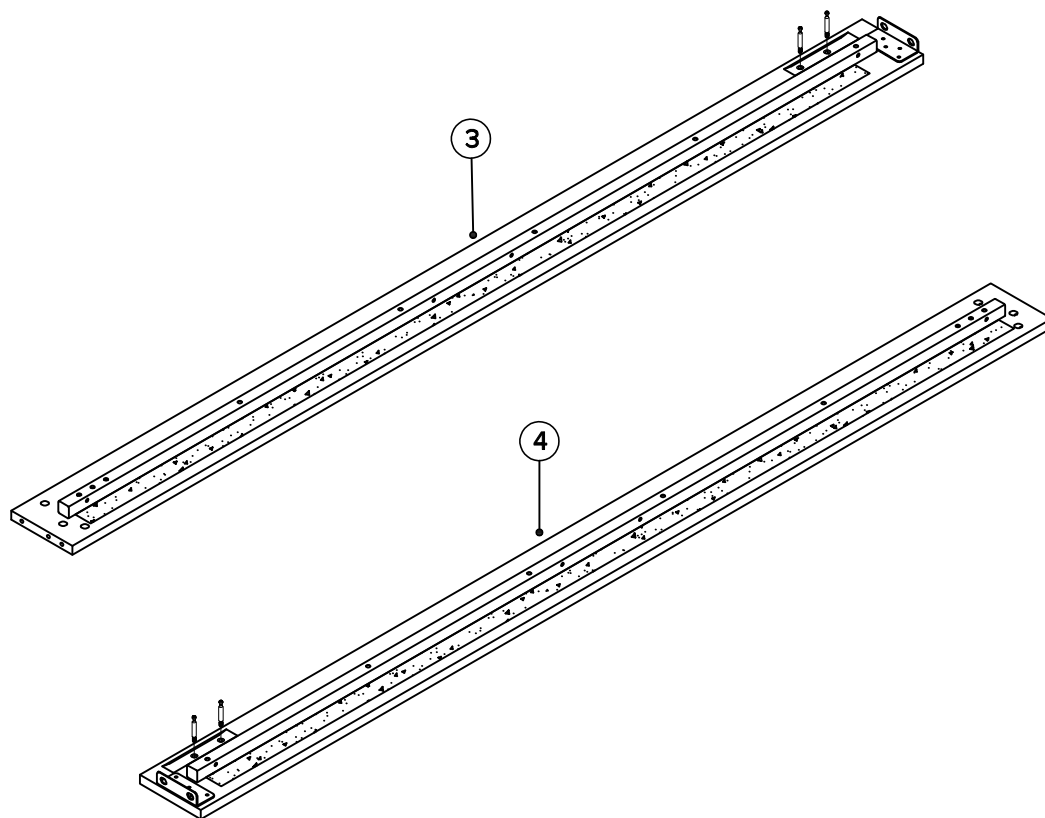
! NOT using power tool, only using the recommended hand tools

5A



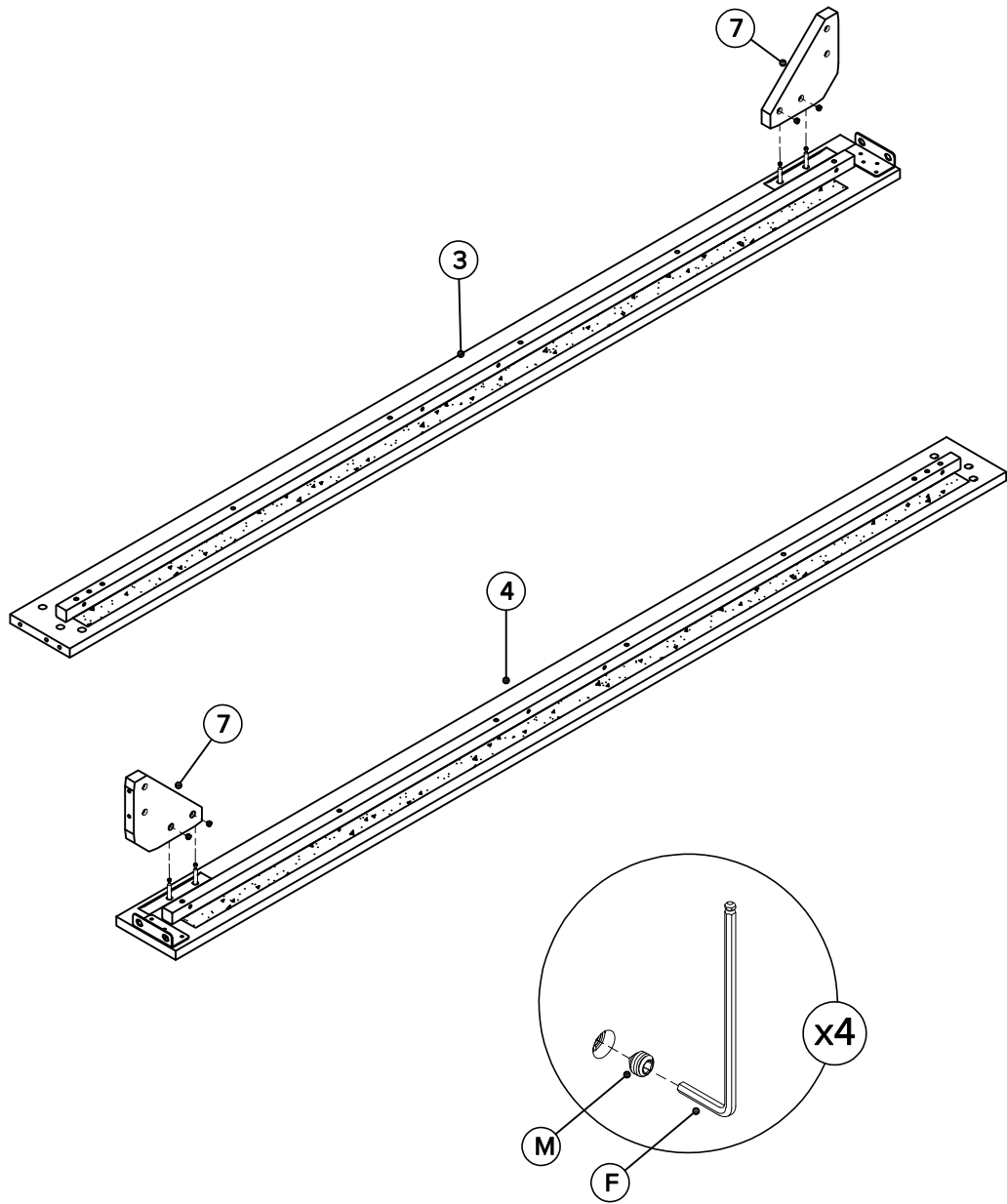
⚠ NOT using power tool, only using the recommended hand tools

5B

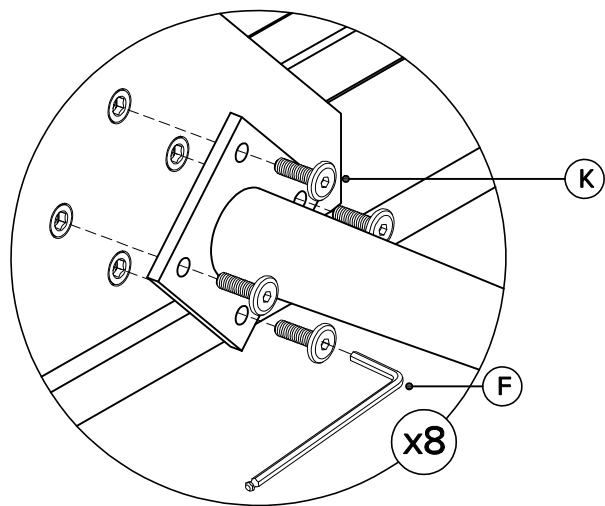
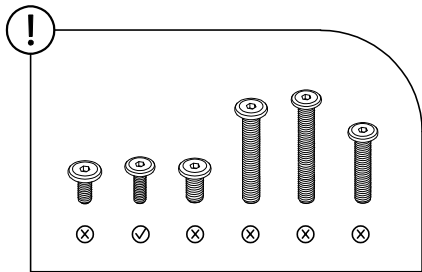
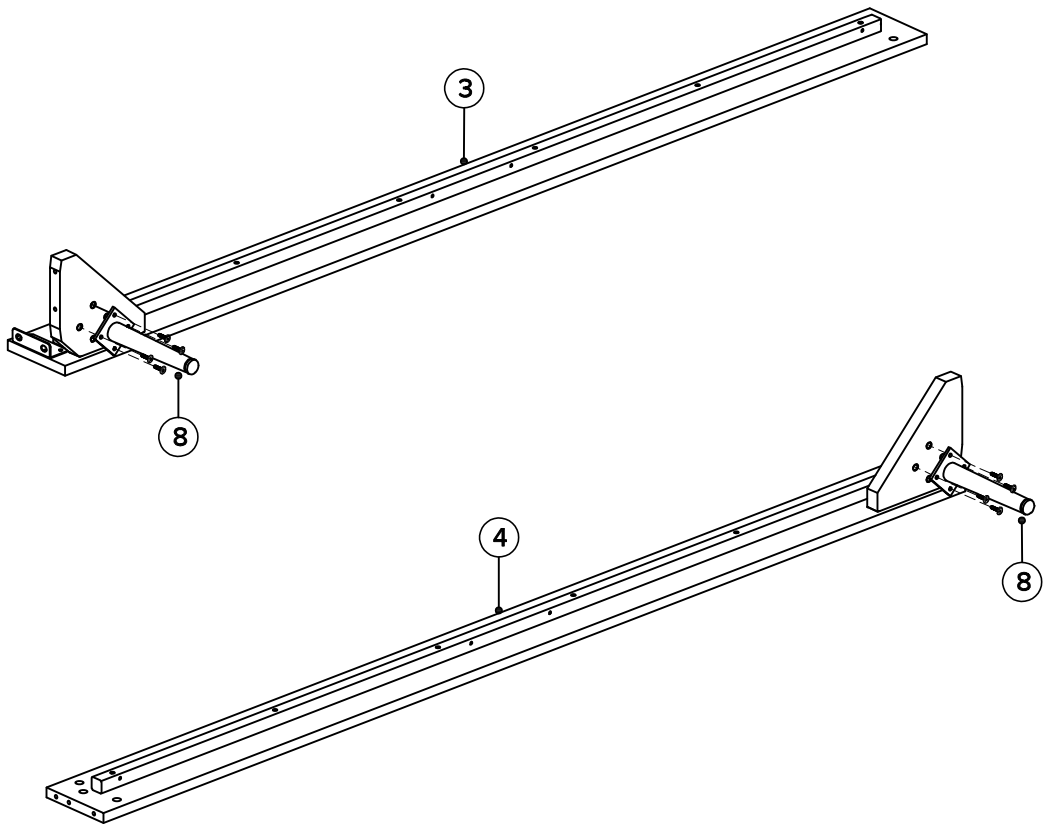


! NOT using power tool, only using the recommended hand tools

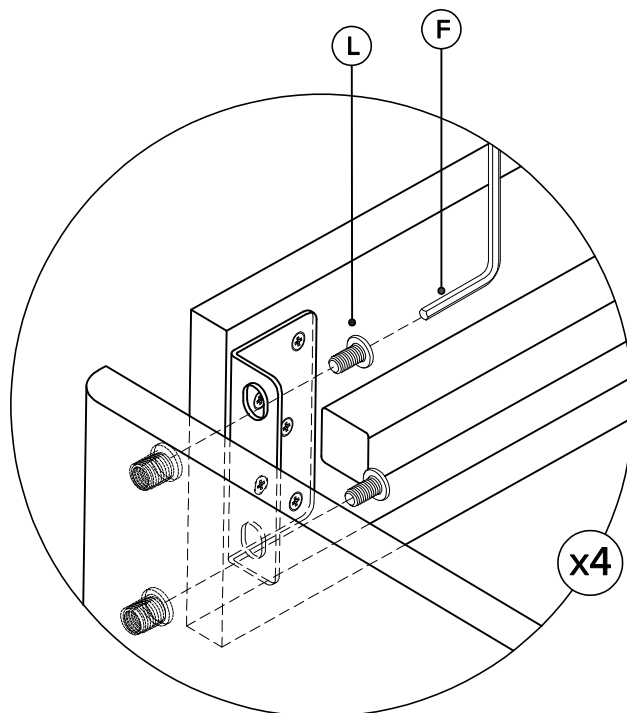
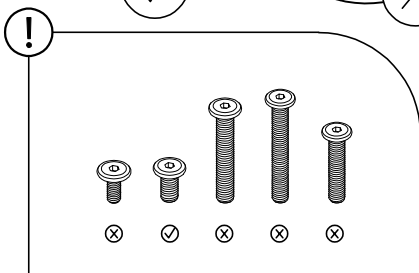
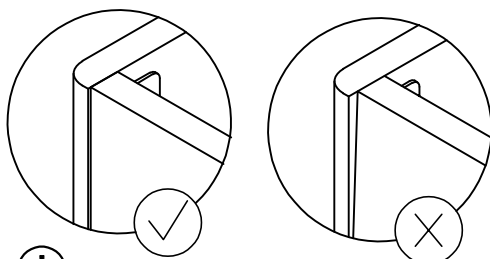
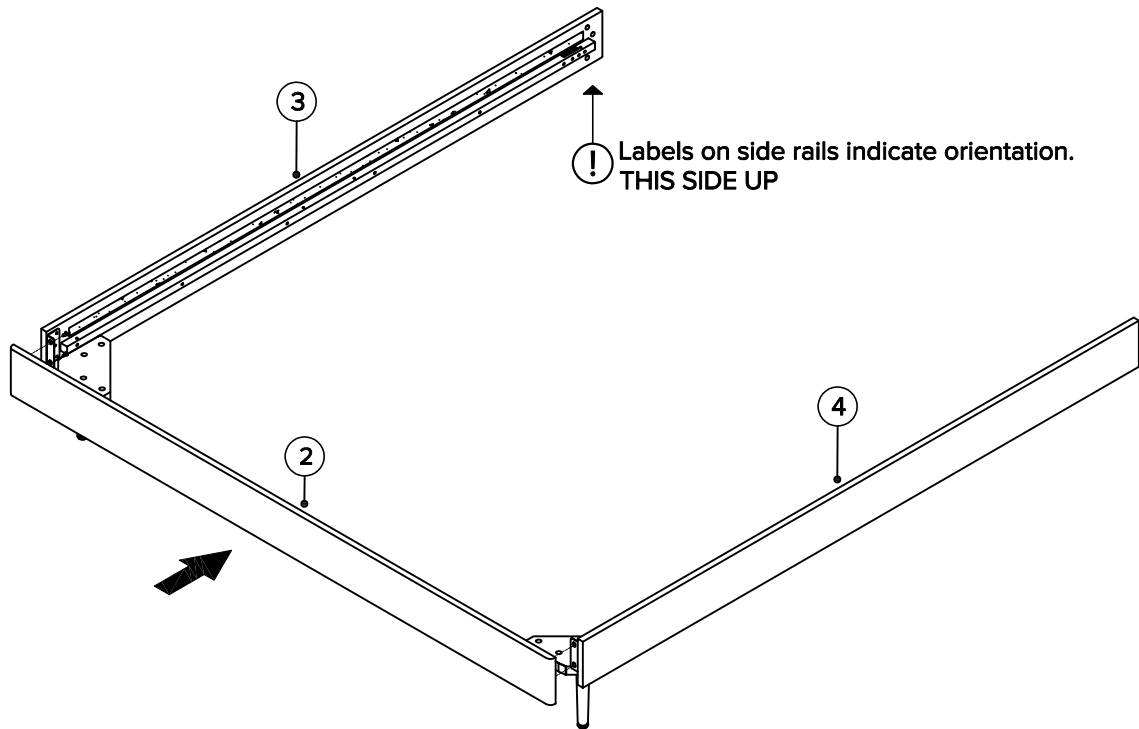
6



7

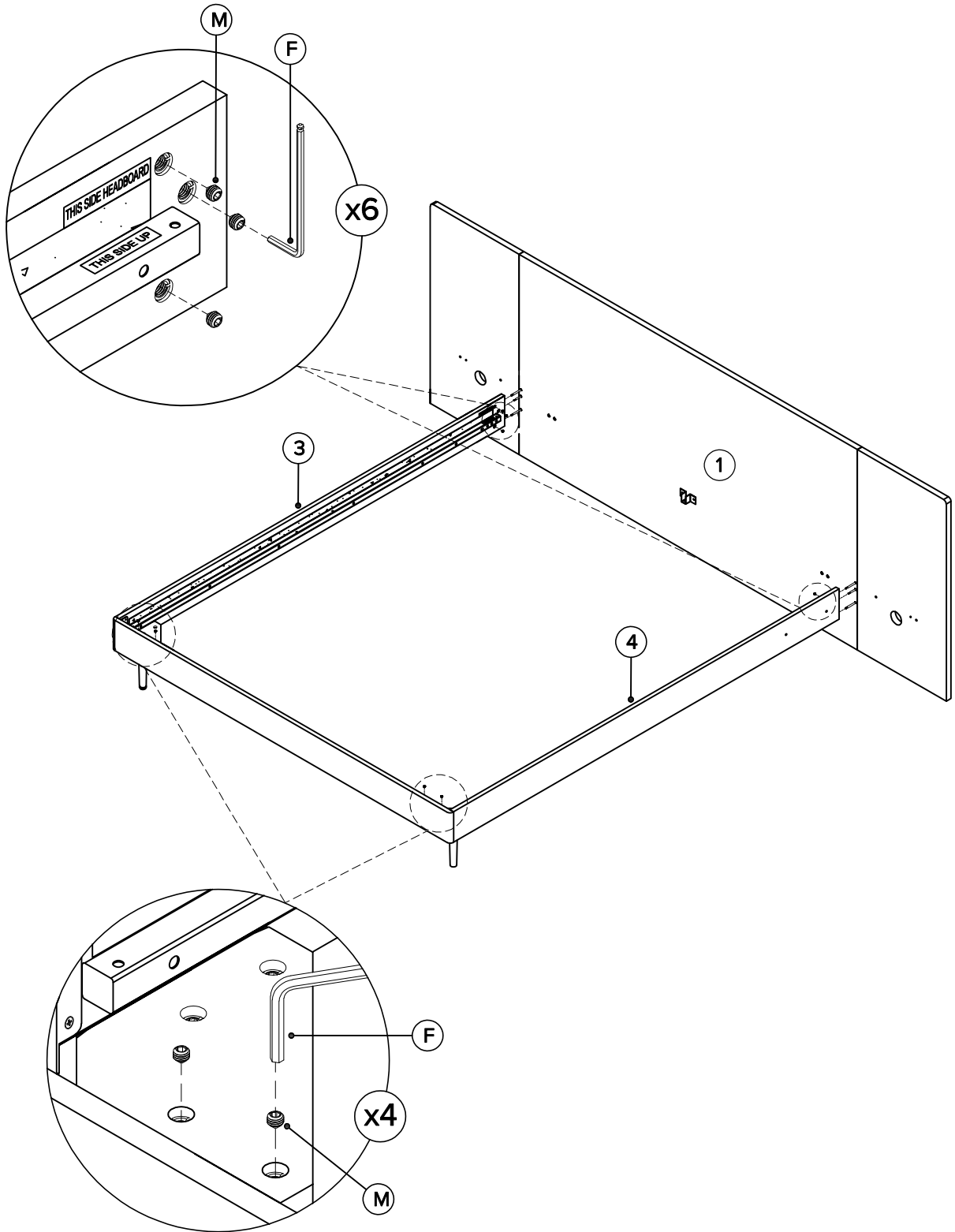


8

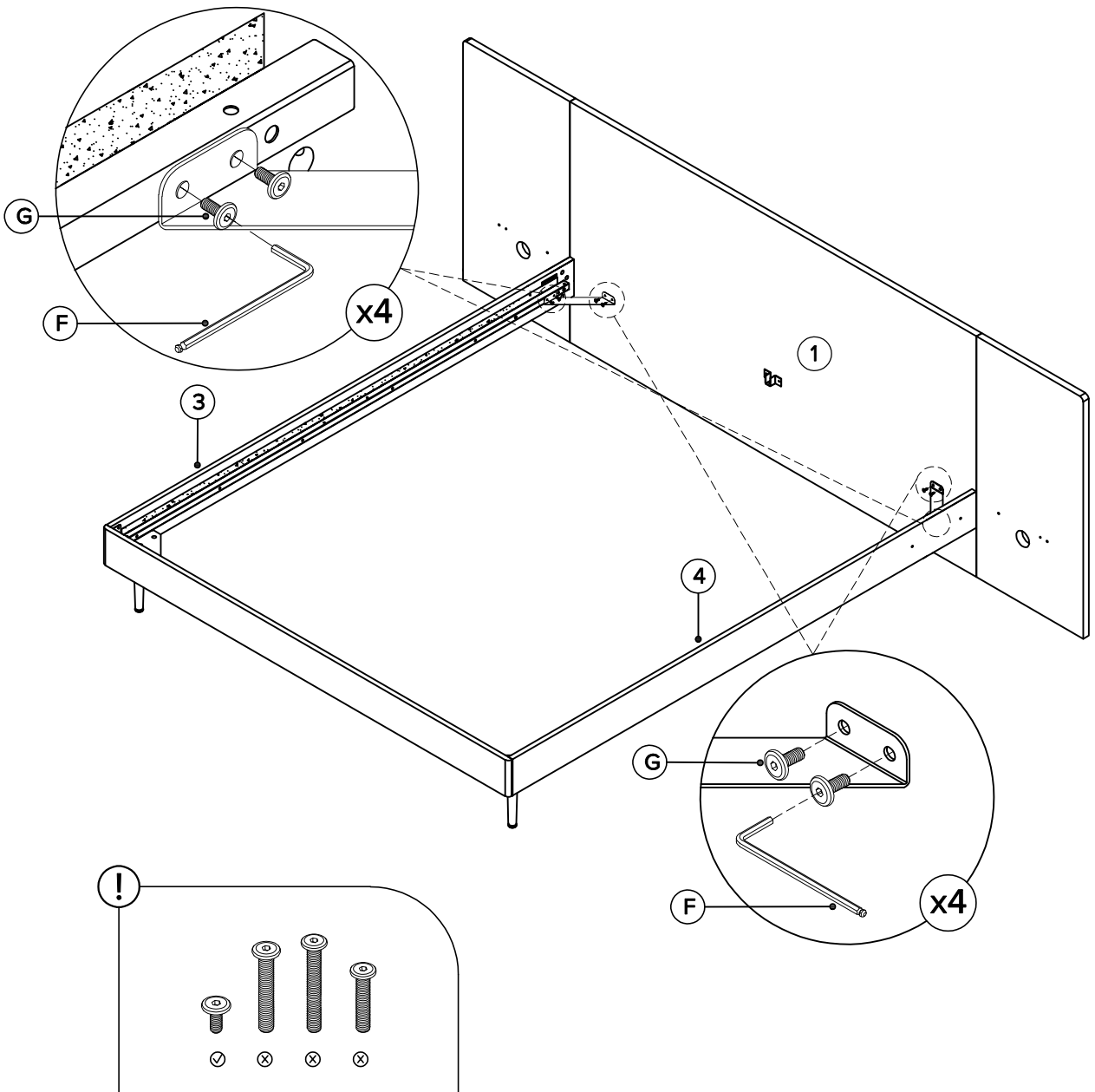


! Ensure side rails (3/4) are perpendicular and flushed with footboard (2) when tightening bolts (L).

9



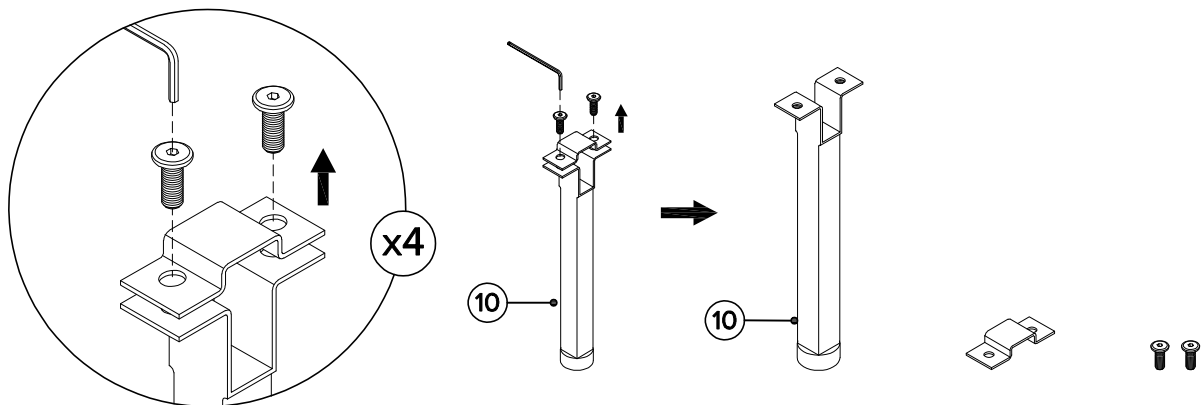
10



! Use the 8 shortest bolts (G) provided.

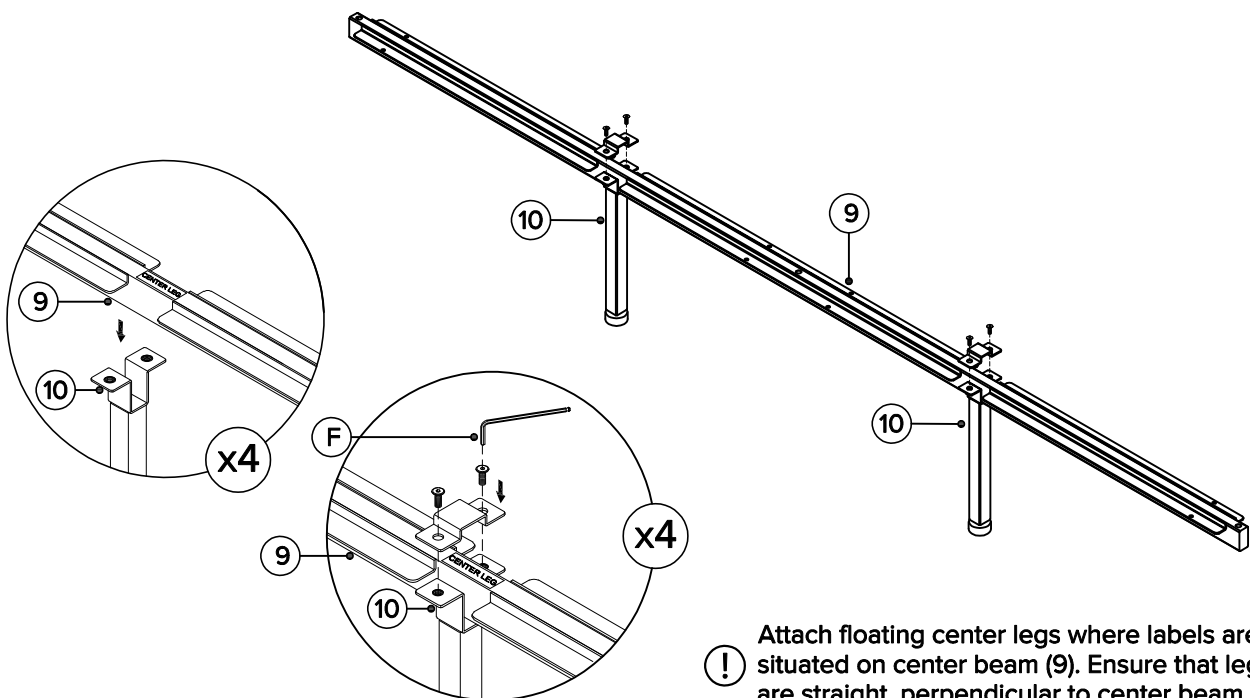


11A TO REMOVE



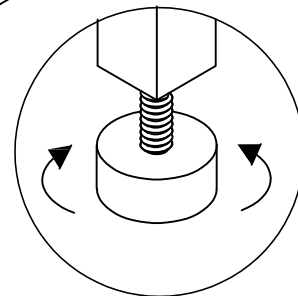
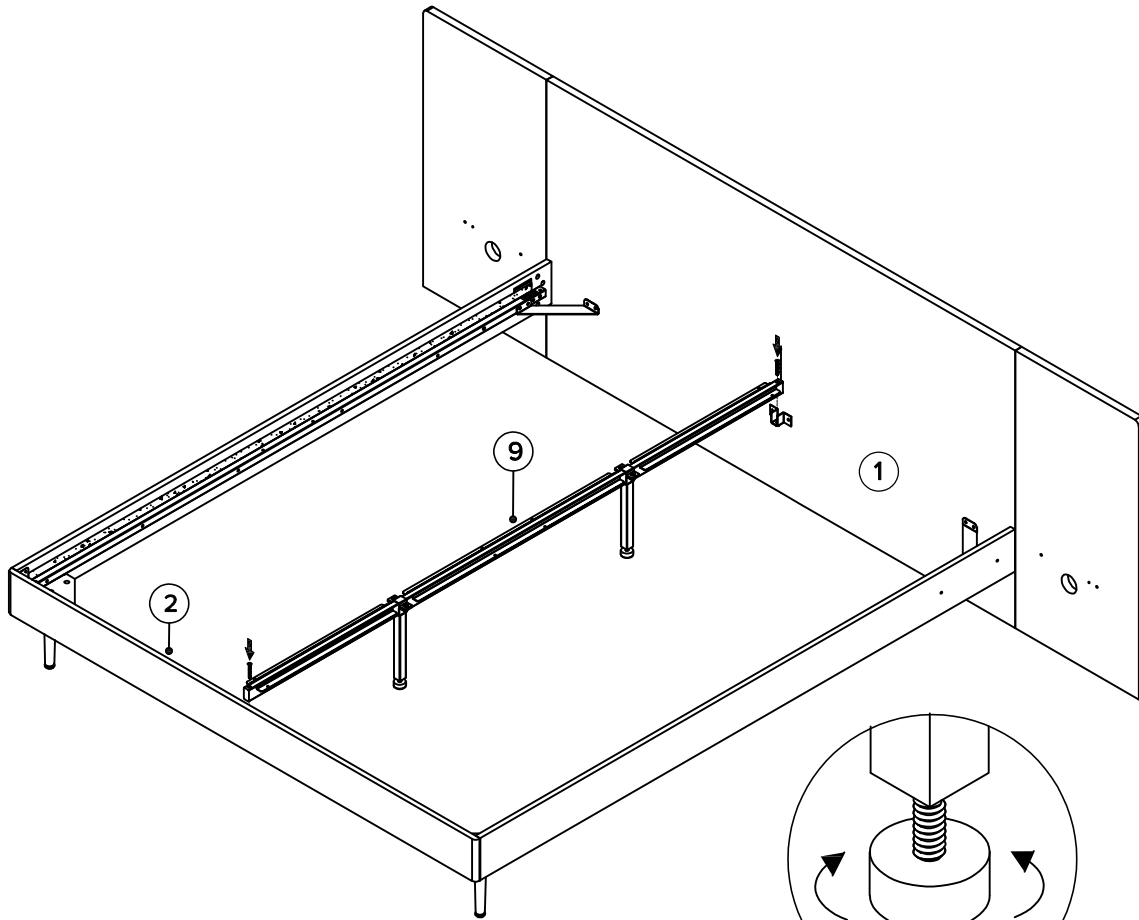
! Unscrew bolts from center leg brackets and floating center legs (10) before attaching to center beam (9)

11B TO ASSEMBLY

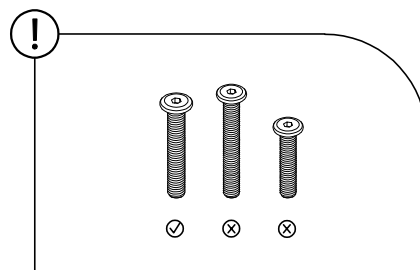
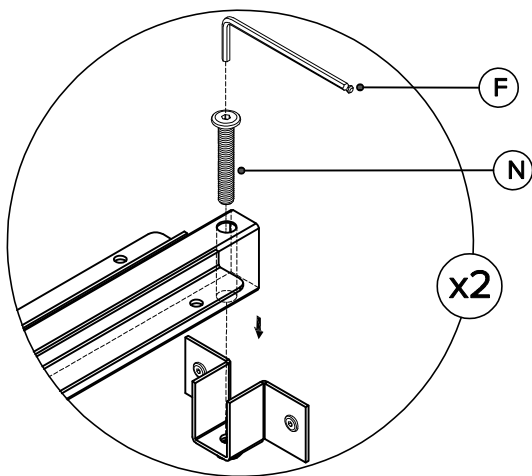


! Attach floating center legs where labels are situated on center beam (9). Ensure that legs are straight, perpendicular to center beam.

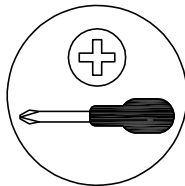
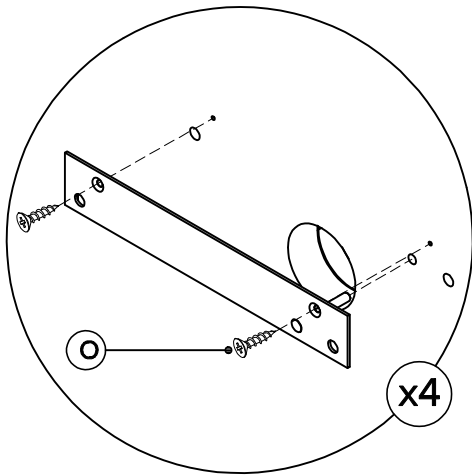
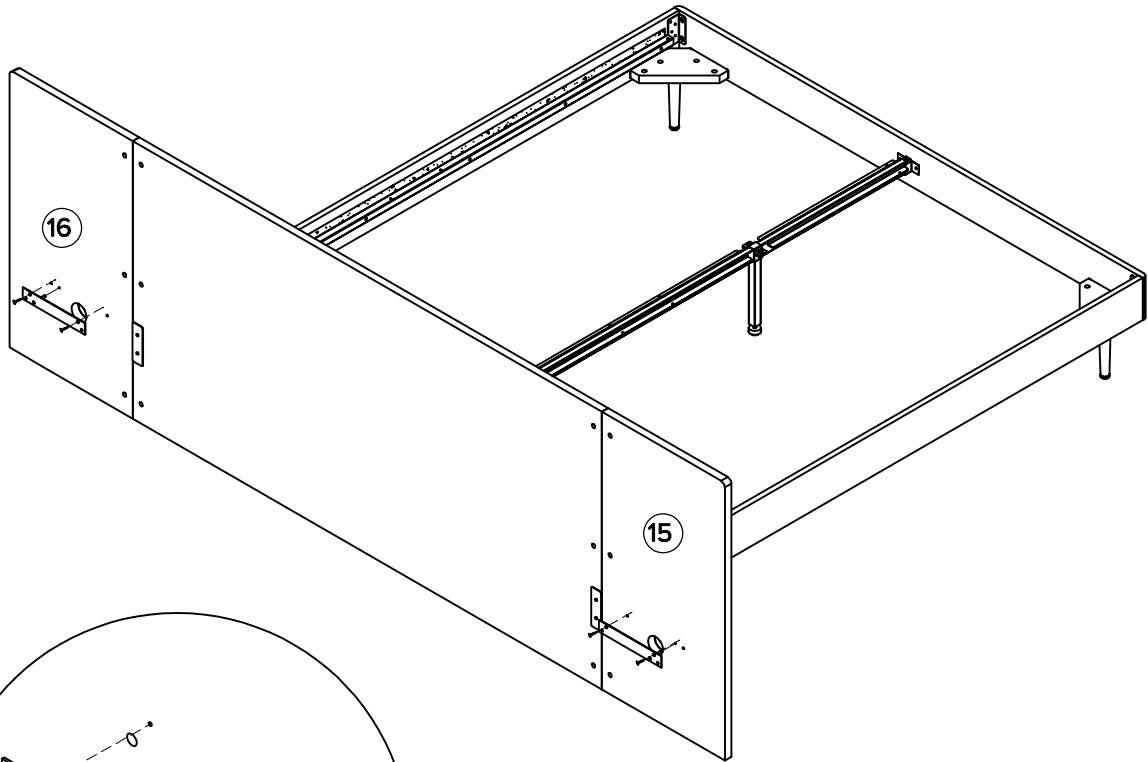
12



⚠ Adjust levelers on floating center legs to allow for a 2-3mm clearance.

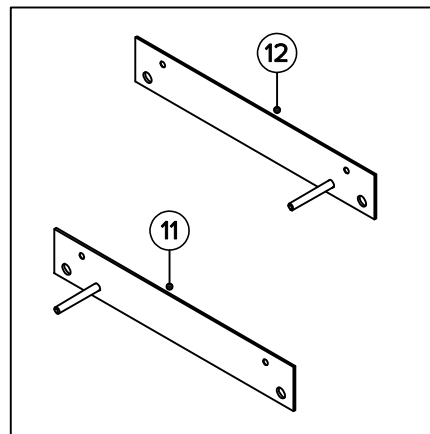


13

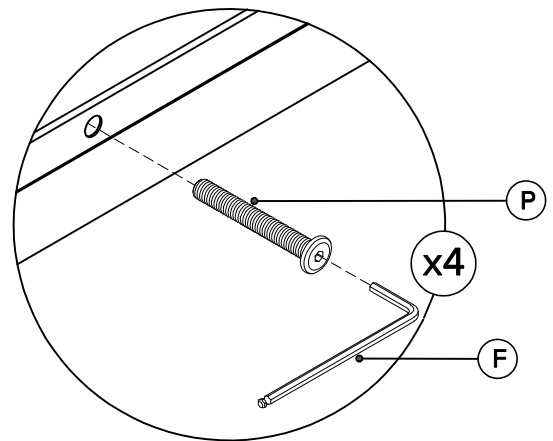
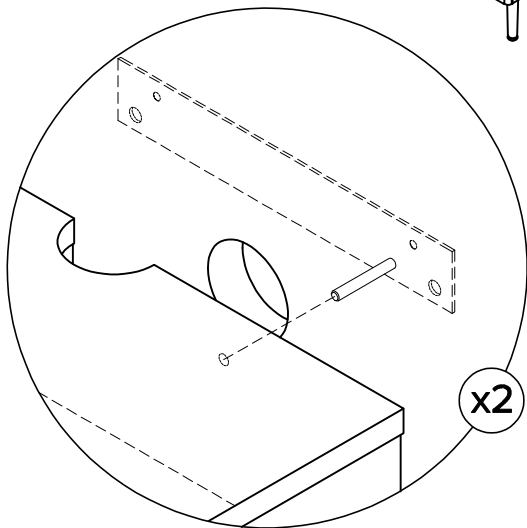
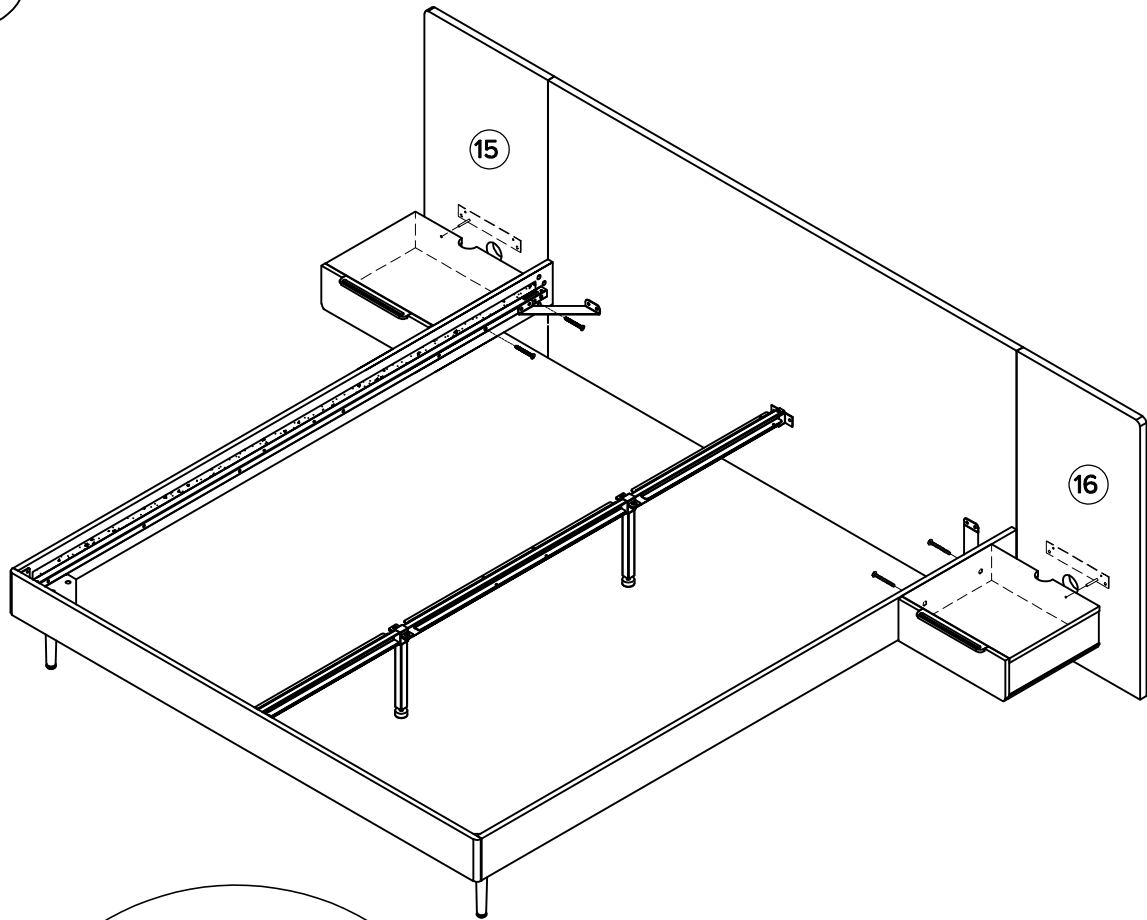


**REQUIRED TOOL**  
Phillips screwdriver

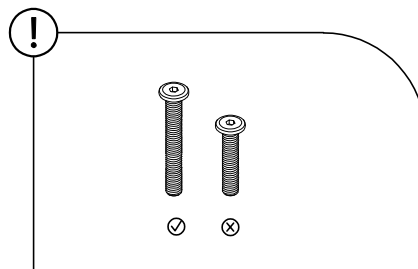
⚠ Insert metal pin on each nightstand bracket (11/12) through the corresponding hole on the headboard



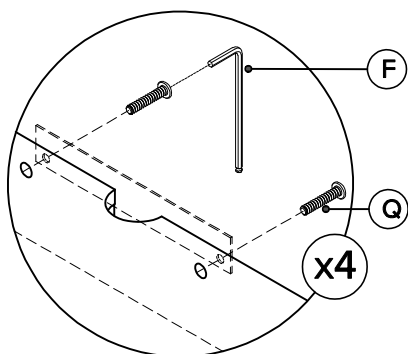
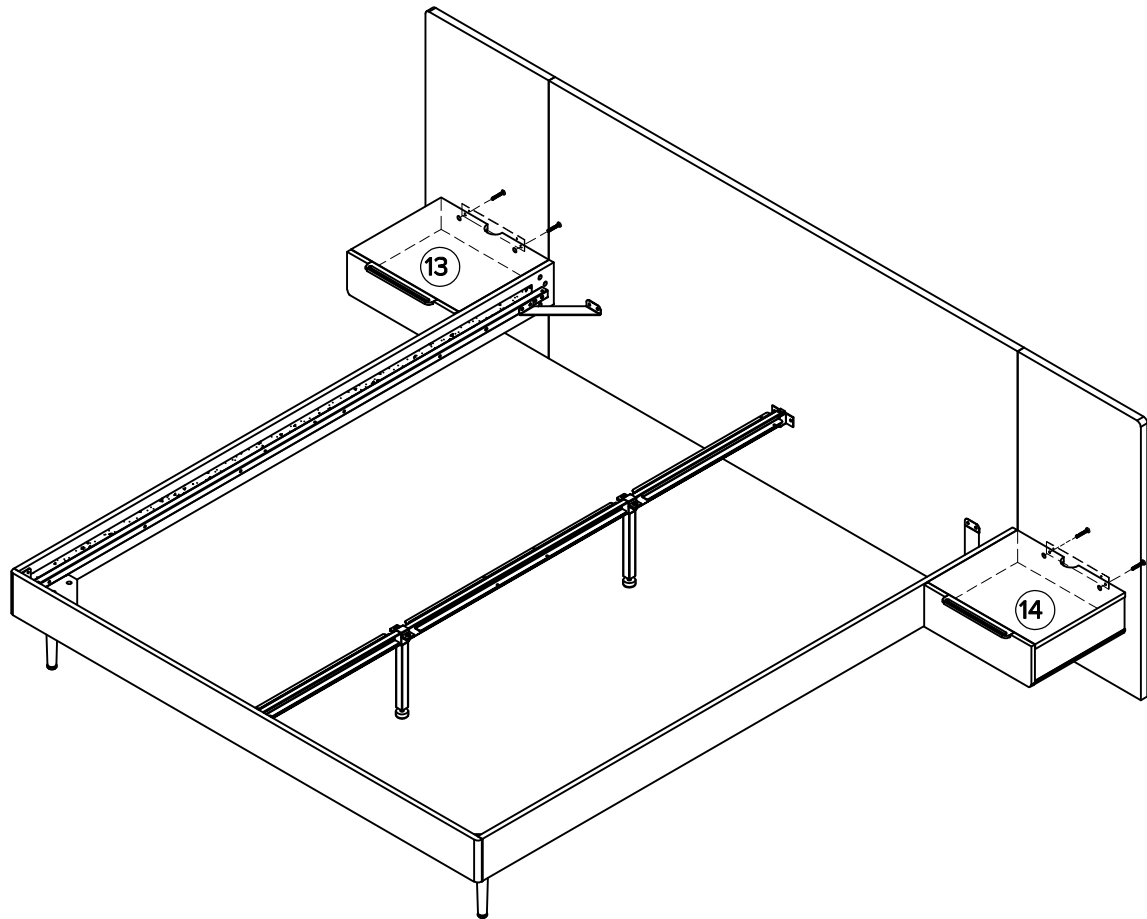
14



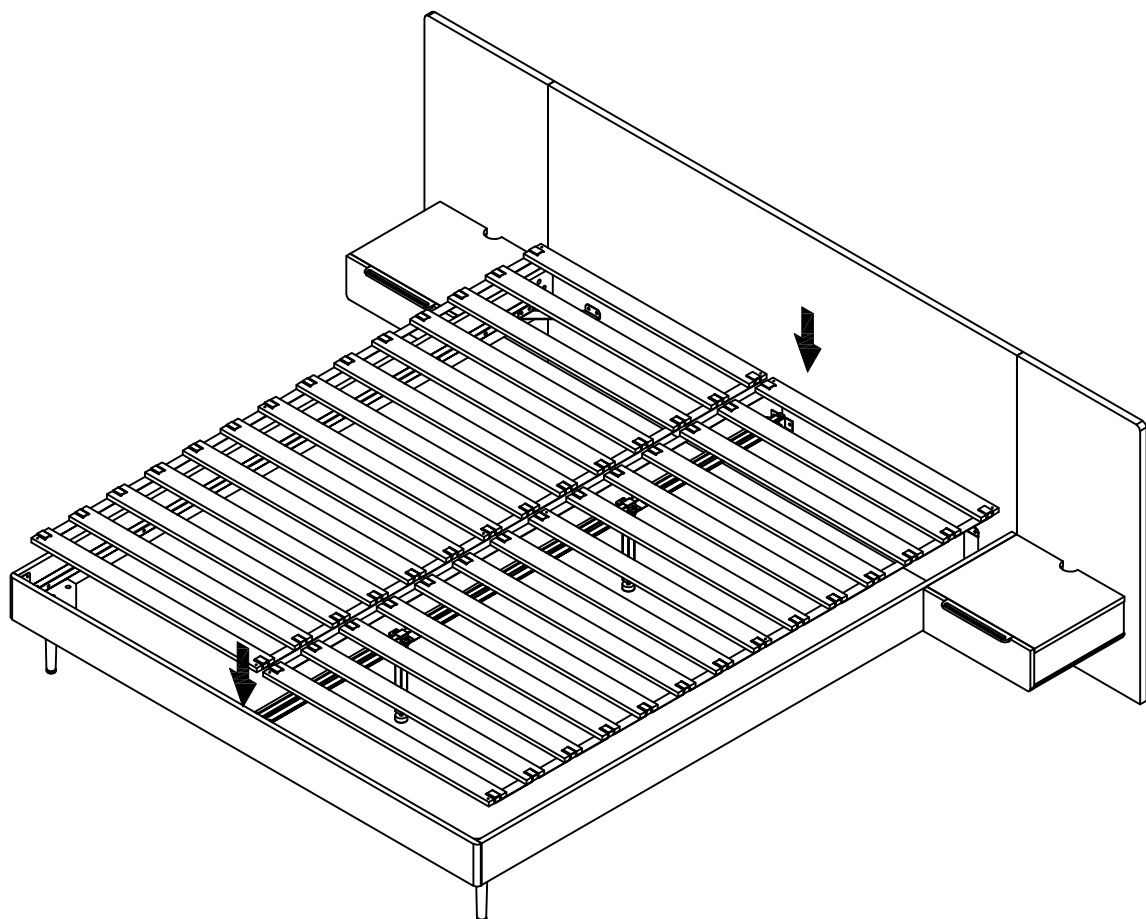
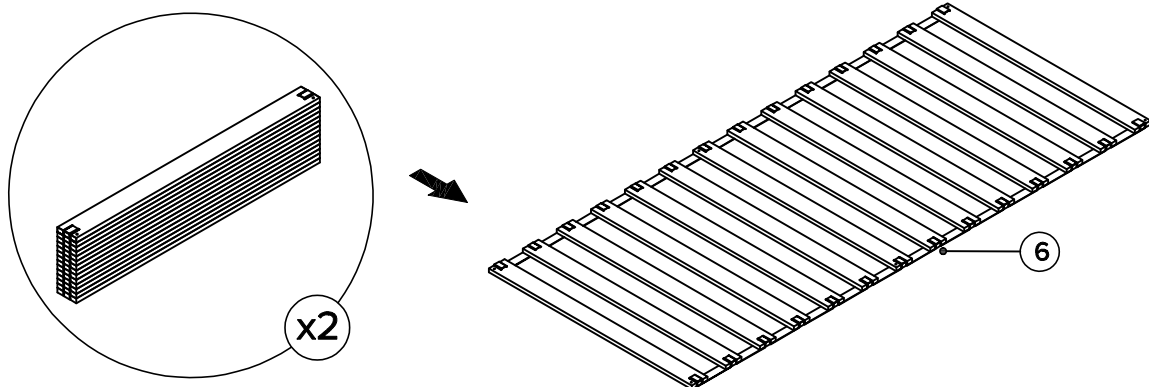
⚠ Mount nightstands (13/14) on pins before securing with bolts (P).



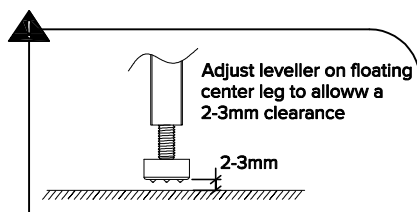
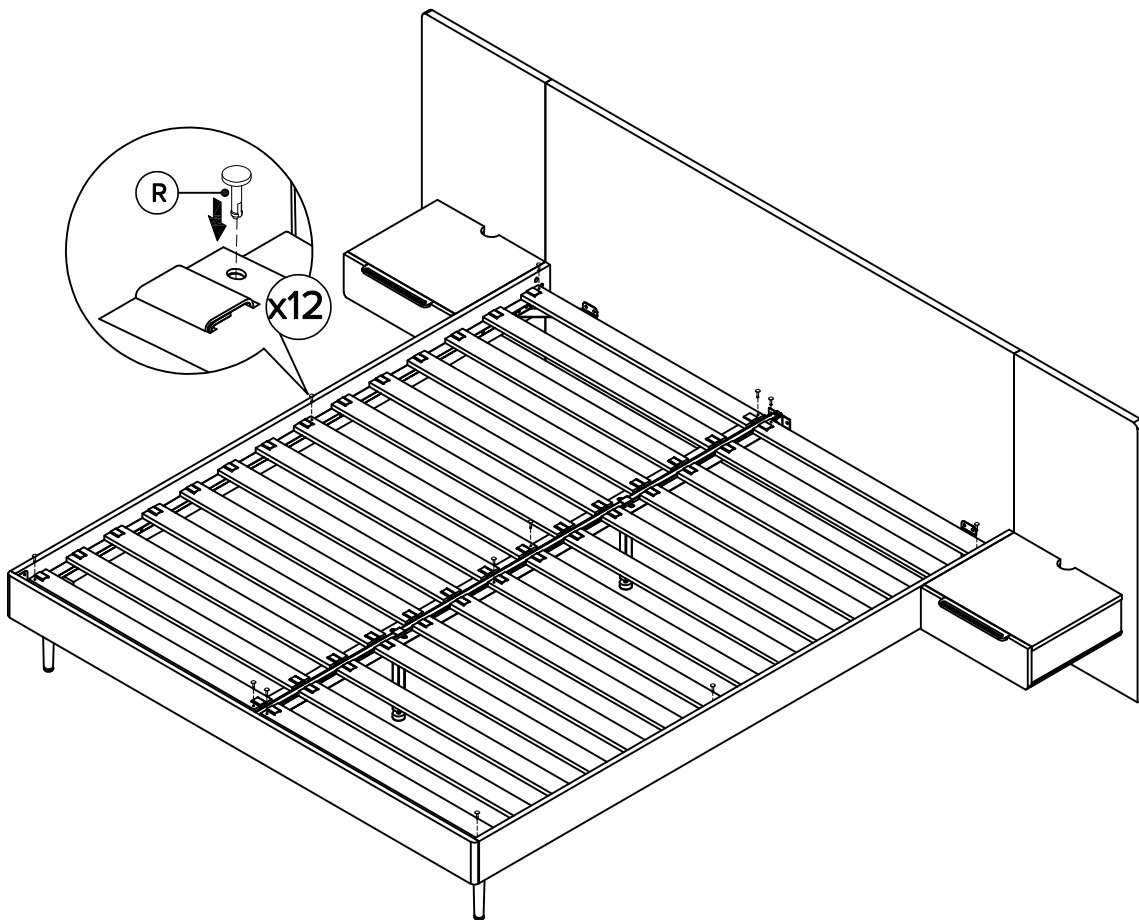
15



16



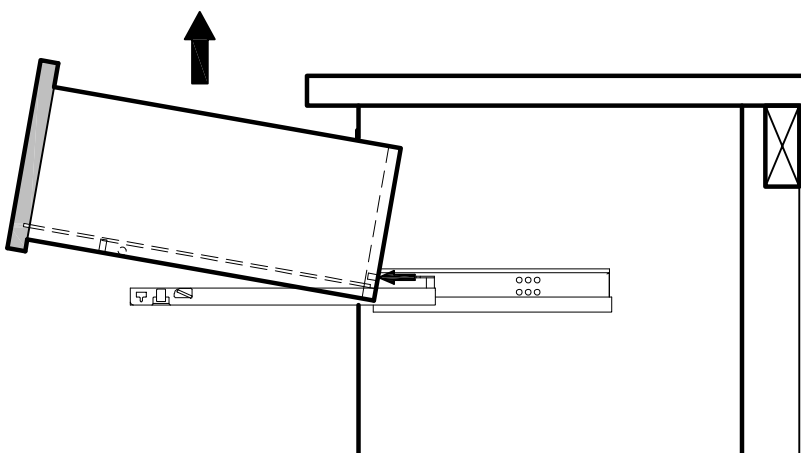
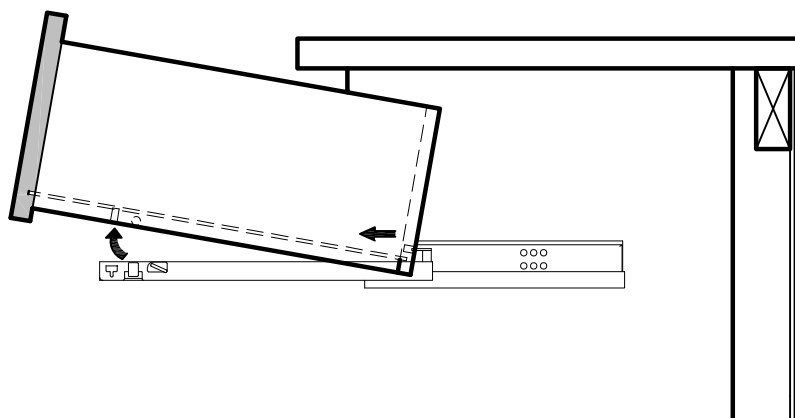
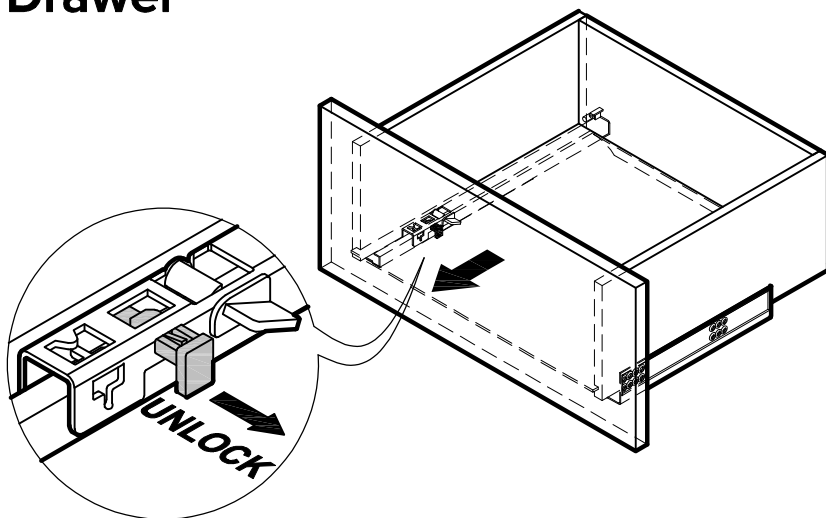
17



# ARTICLE.

NERA Queen / King / Cali Bed with Nightstands

## Remove Drawer

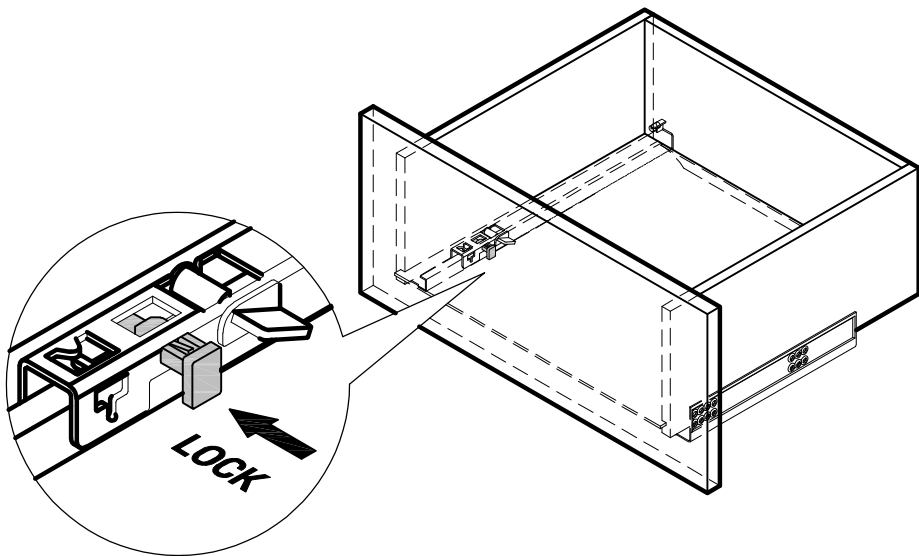
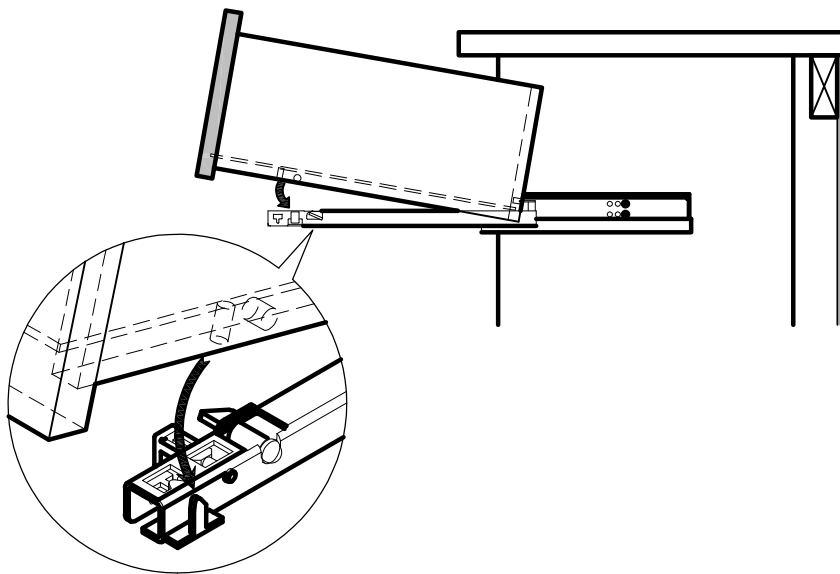
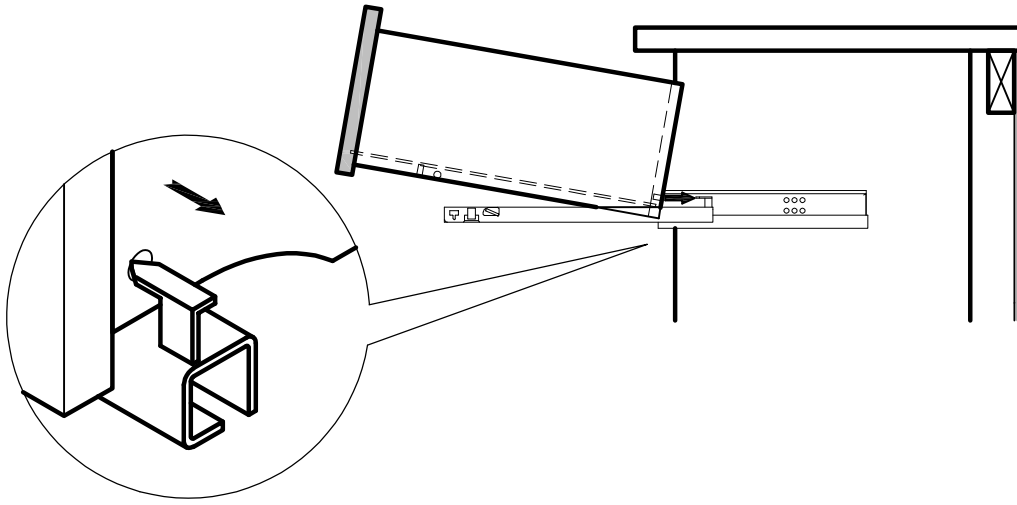




# ARTICLE.

NERA Queen / King / Cali Bed with Nightstands

## Install Drawer



# ARTICLE.

NERA Queen / King / Cali Bed with Nightstands

