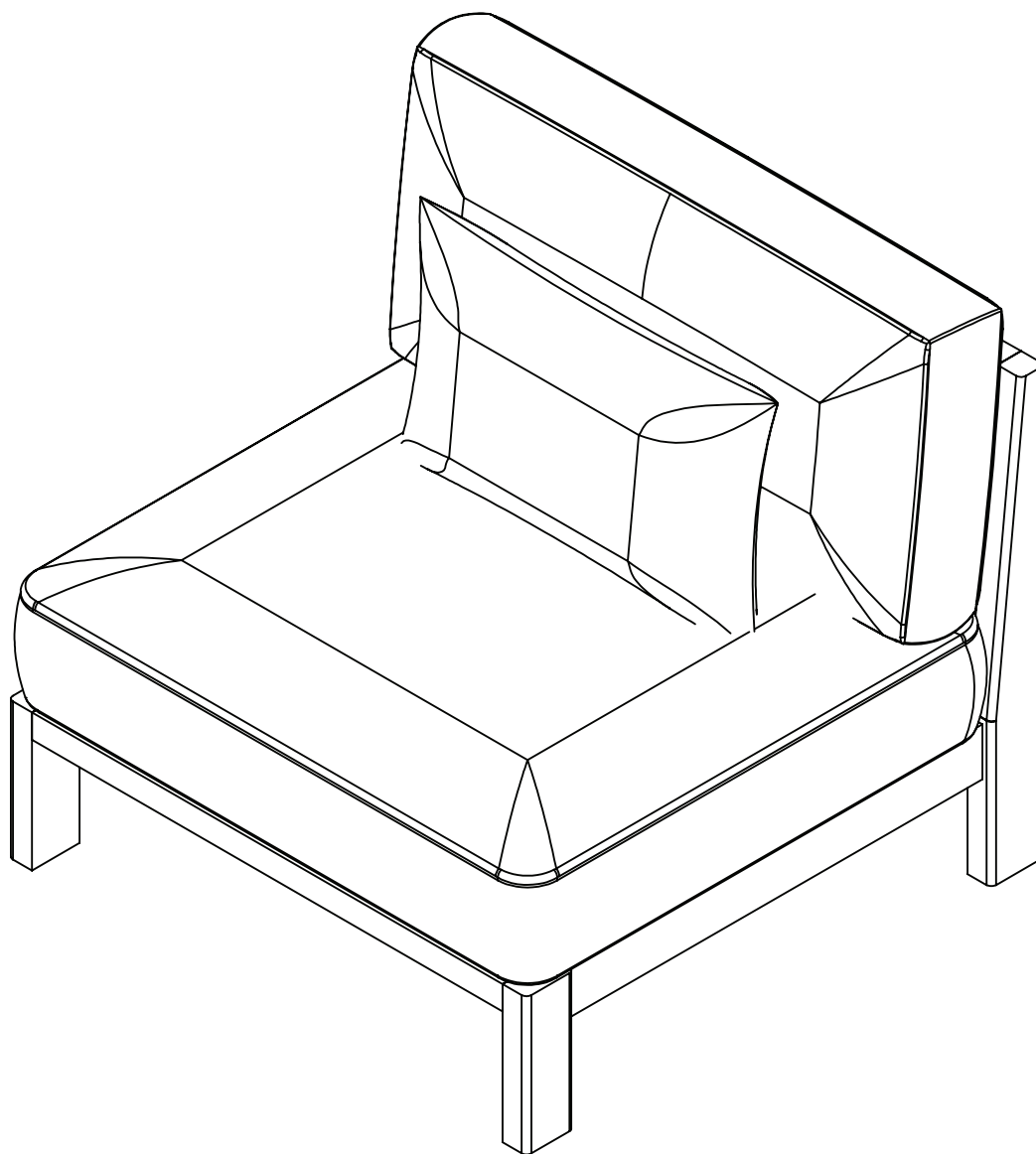


ARTICLE.

VERSION 1.0

Assembly Instructions



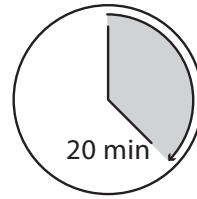
COVE LOUNGE CHAIR

ASSEMBLY INSTRUCTIONS

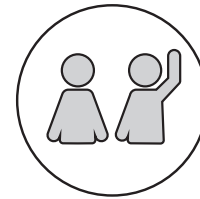
Read these instructions carefully and keep for future reference. Refer to parts inventory for guidance, and ensure you have all pieces before starting.

When assembling, place all parts on a soft, clean, and flat surface such as a carpet to prevent scratches.

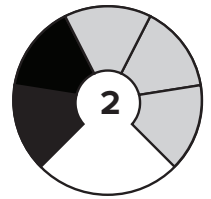
If you're having difficulty, our friendly Customer Care team is always here to help. Call us at 1.888.746.3455 during business hours, email service@article.com or chat live at [article.com](https://www.article.com).





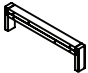

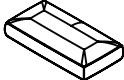

TIME




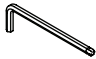


2 PEOPLE



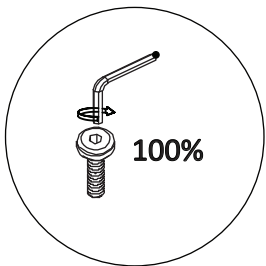
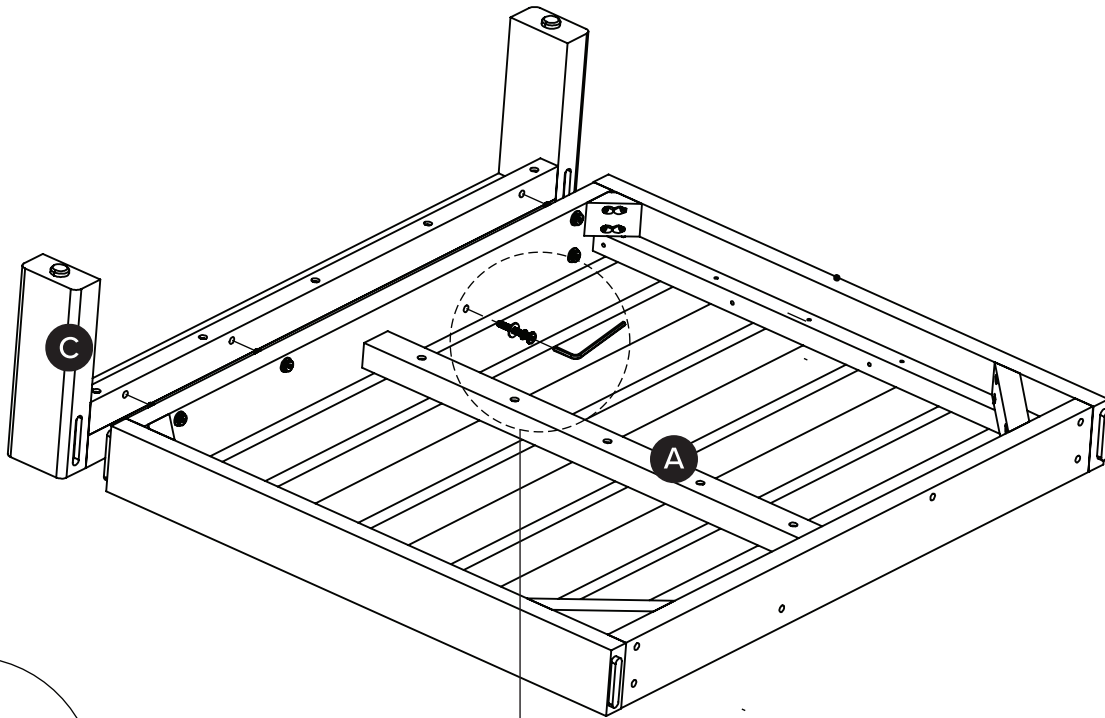
LEVEL

PARTS INVENTORY			
ID	DESCRIPTION		QTY
A	SEAT FRAME		1
B	BACK FRAME		1
C	FRON LEG		1
D	CUSHION SEAT		1
E	CUSHION BACK		1
F	DECOR PILLOW		1

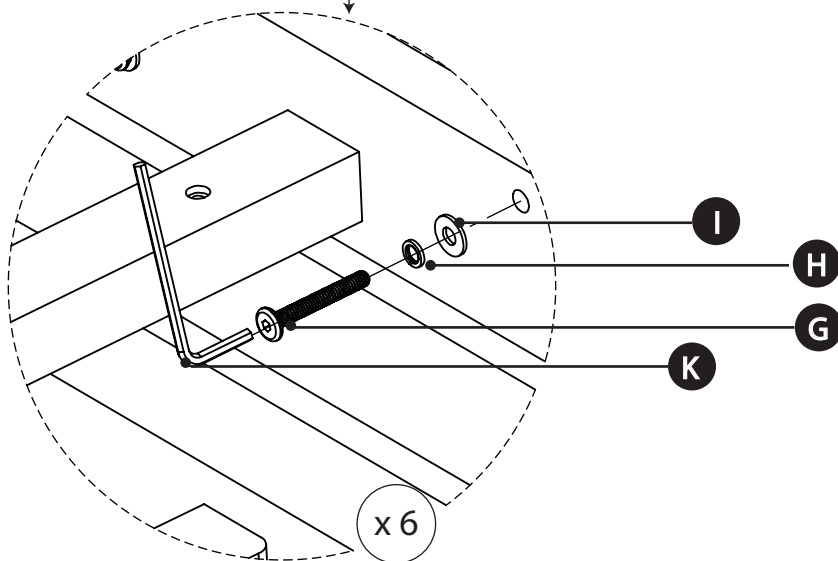
HARDWARE LIST				
ID	DESCRIPTION			QTY
G	BOLT	M6x45		12
H	LOCK WASHER	M6		12
I	WASHER	M6		12
K	ALLEN KEY	#4 x 100		1

1

Align assembly holes on seat frame (A) with inserted nuts on the front legs (C). Assemble them together using bolt (G), lock washer (H), washer (I) and tighten by Allen key (K).



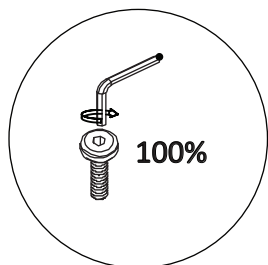
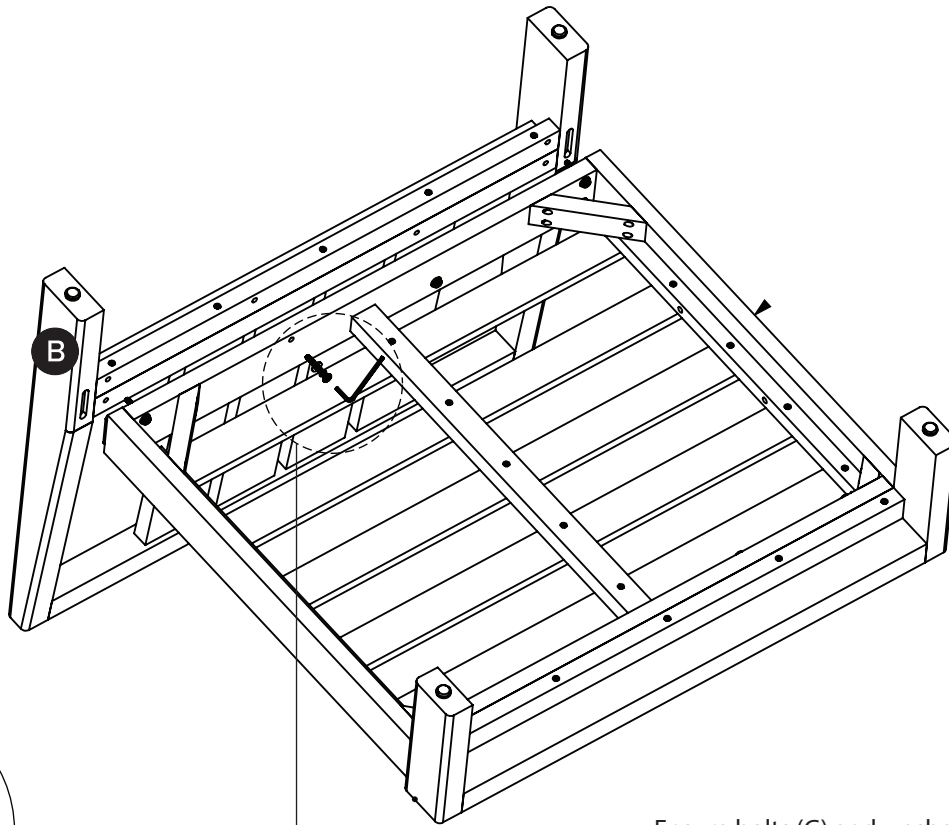
! Ensure bolts (G) and washers (I/H) are installed in the correct order to avoid damage to the lounge chair.



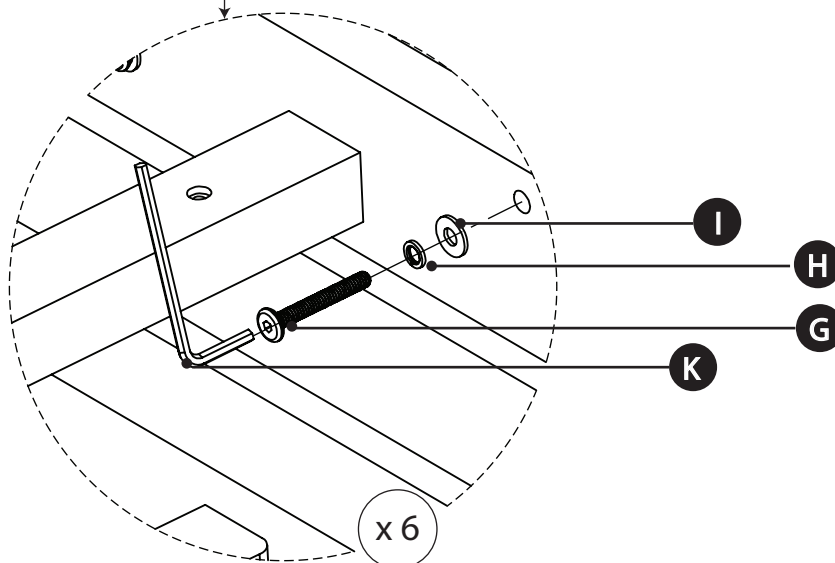
Tip: user advised to use fingers to put loose hardware together until it get tight then using the tools provided

2

Align assembly holes on seat frame (A) with inserted nuts on the back frame (B). Assemble them together using bolt (G), lock washer (H), washer (I) and tighten by Allen key (K).



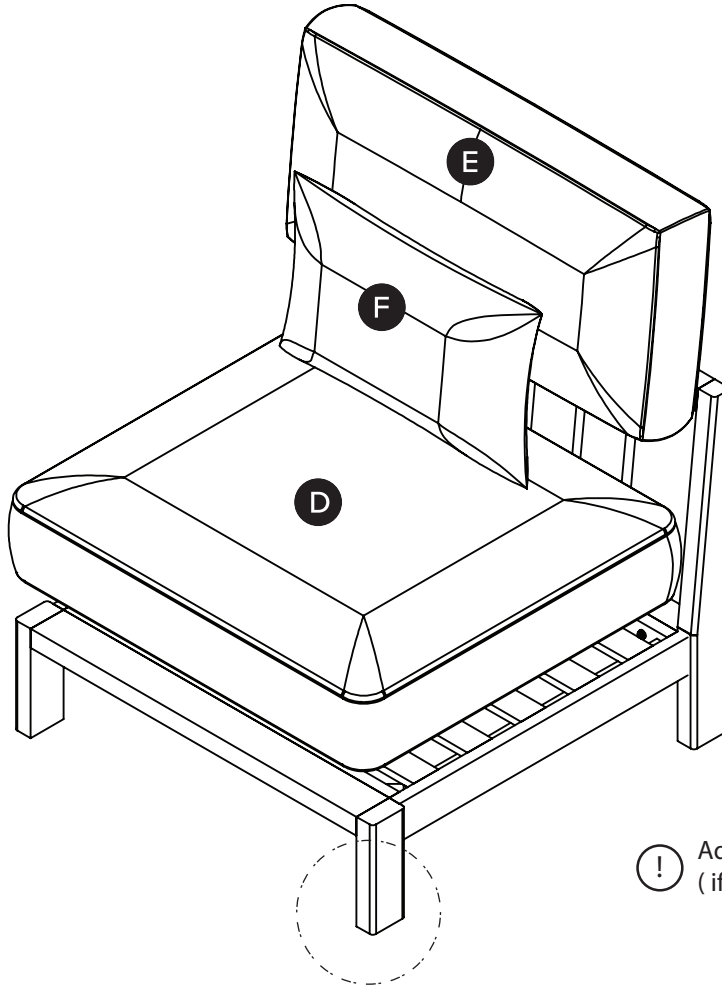
! Ensure bolts (G) and washers (I/H) are installed in the correct order to avoid damage to the lounge chair.



Tip: user advised to use fingers to put loose hardware together until it get tight then using the tools provided

3

Put the product up right. Insert seat cushion (D) first. Then insert back cushion (E) and decor pillow (F)



! Adjust the levelers at the underneath of the legs (if needed) for product stability

