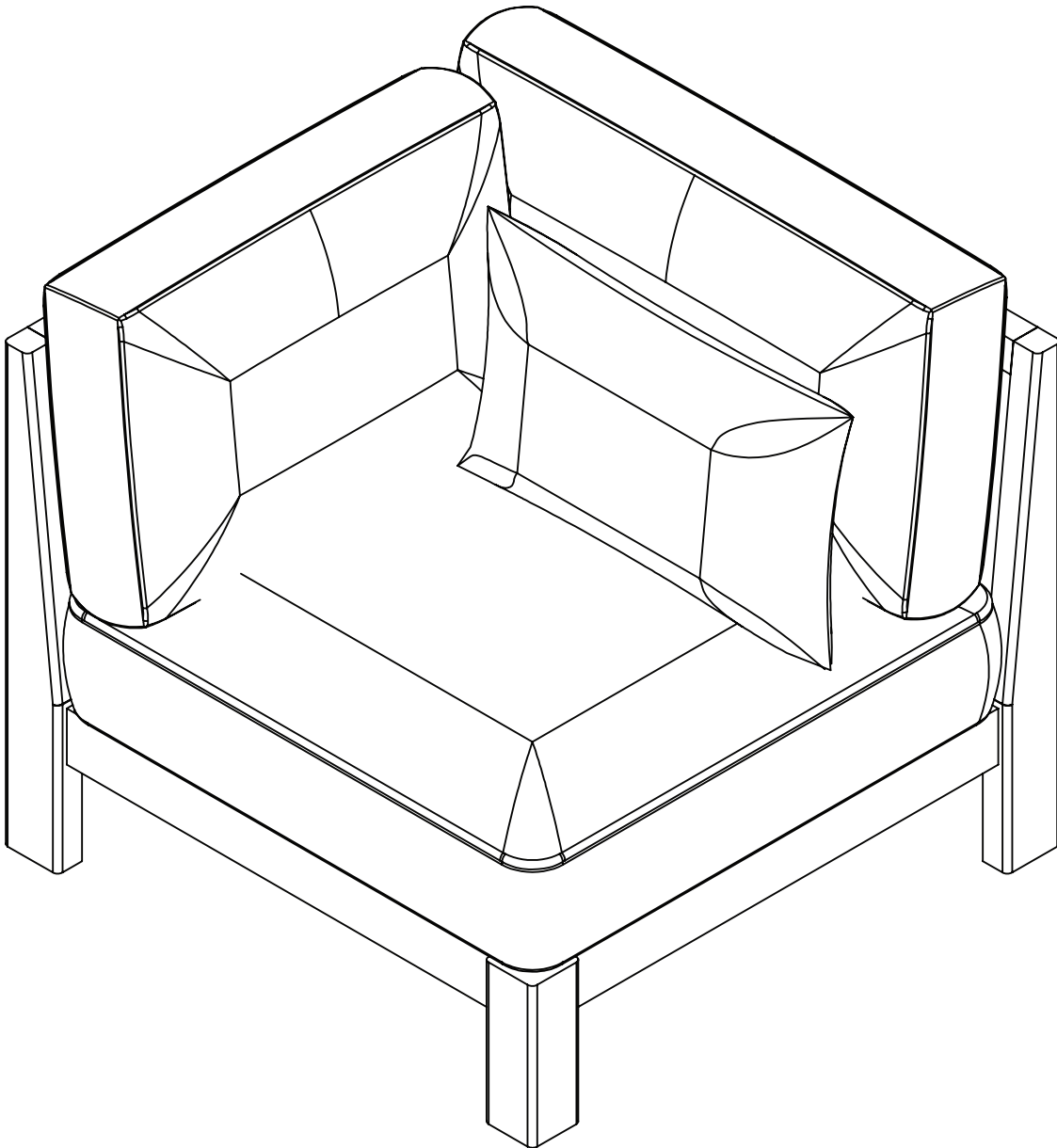


# ARTICLE.

VERSION 1.0

## Assembly Instructions



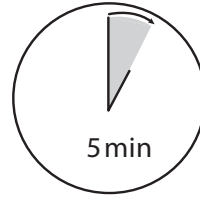
## COVE CORNER CHAIR

## ASSEMBLY INSTRUCTIONS

Read these instructions carefully and keep for future reference. Refer to parts inventory for guidance, and ensure you have all pieces before starting.

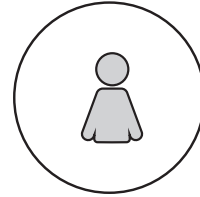
When assembling, place all parts on a soft, clean, and flat surface such as a carpet to prevent scratches.

If you're having difficulty, our friendly Customer Care team is always here to help. Call us at 1.888.746.3455 during business hours, email [service@article.com](mailto:service@article.com) or chat live at [article.com](https://www.article.com).

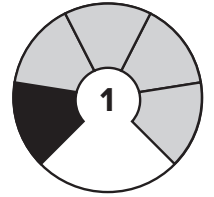


5 min



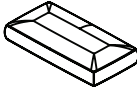
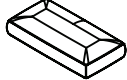

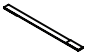
TIME



1 PEOPLE

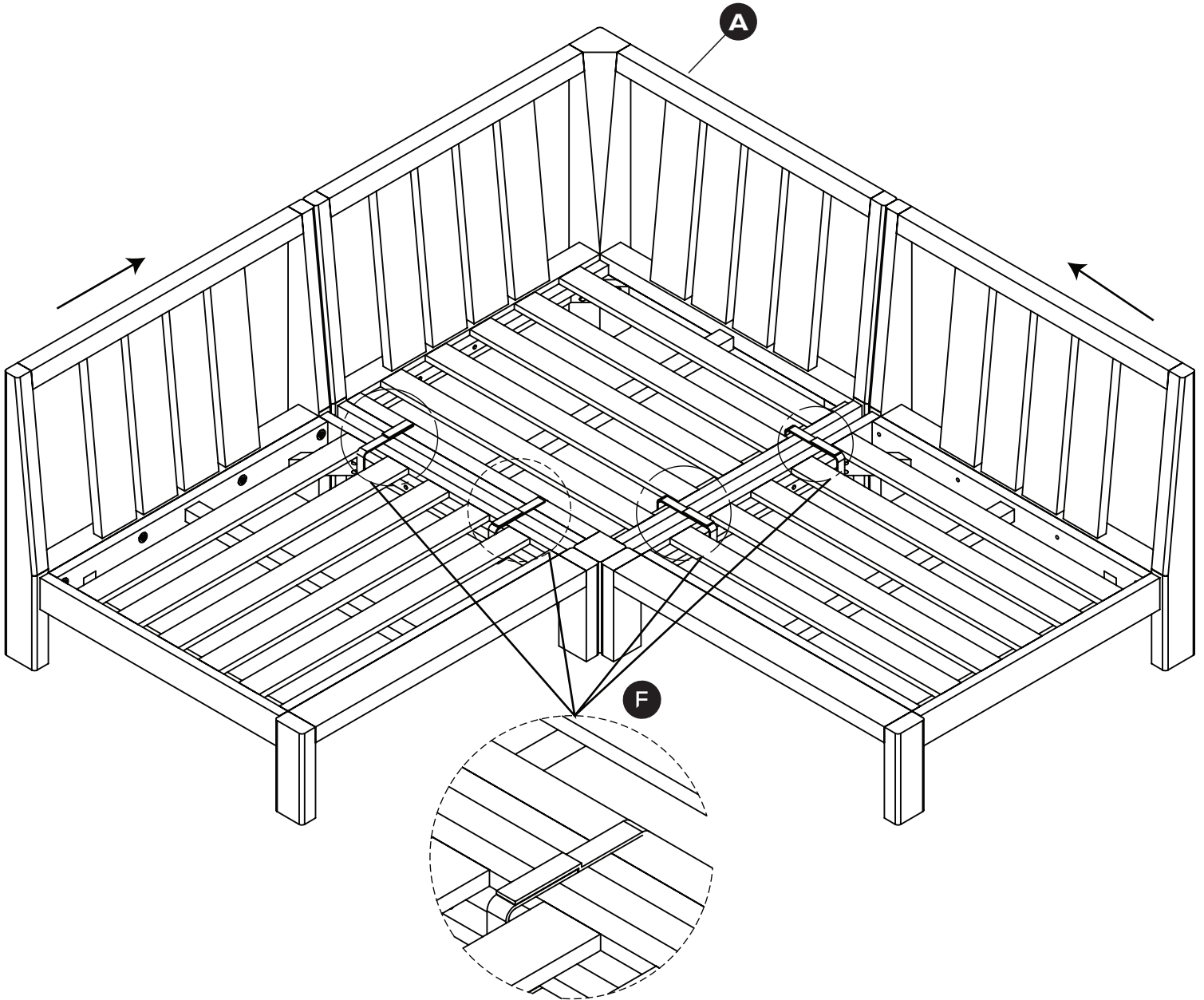


LEVEL

PARTS INVENTORY		
ID	DESCRIPTION	QTY
A	FRAME 	1
B	CUSHION SEAT 	1
C	CUSHION BACK 1 	1
D	CUSHION BACK 2 	1
E	DECOR PILLOW 	1
F	VELCRO 	2

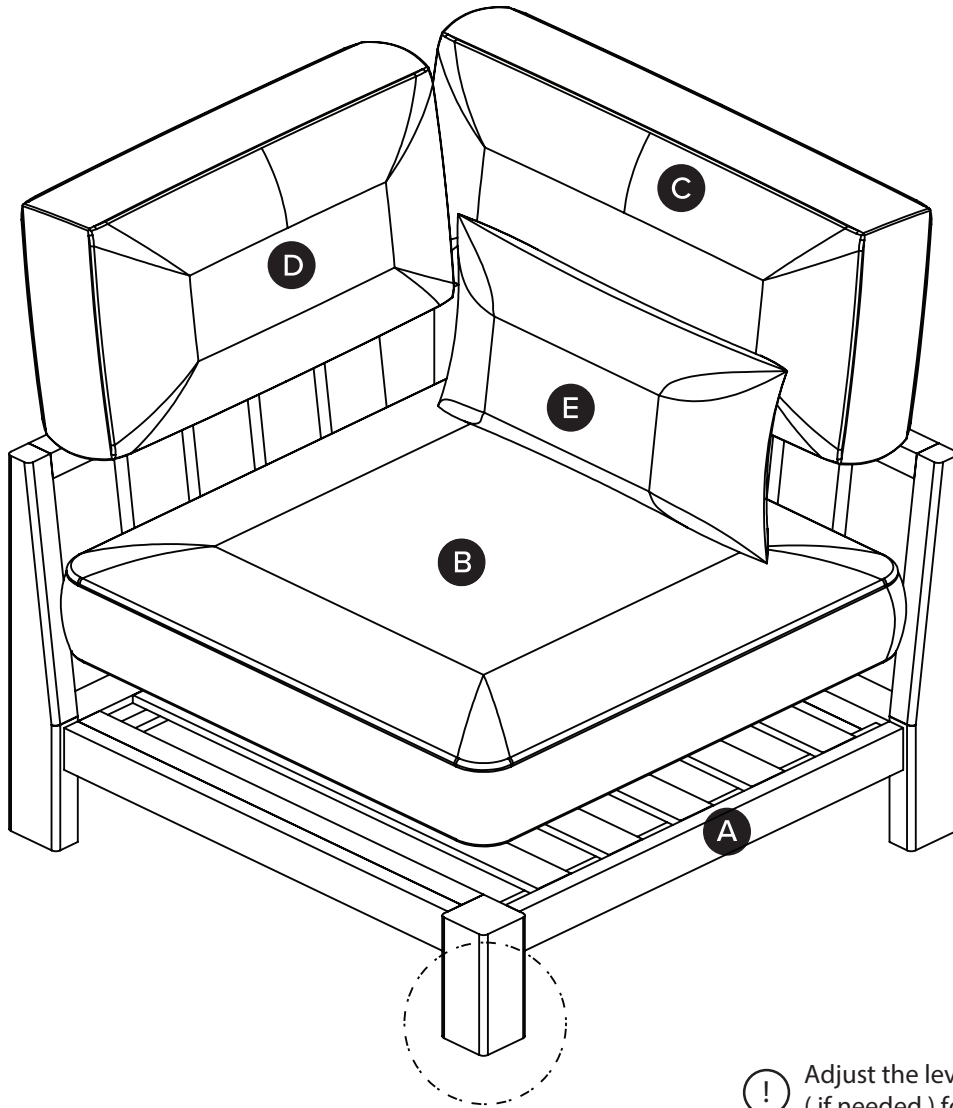
1

Ensure Corner Sectional ( A ) and Left + Right Arm Sectional connect to each other by using velcro straps ( F ).



2

Put the product up right. Insert seat cushion (B) first. Then insert back cushion (C), (D) and decor pillow (E)



! Adjust the levelers at the underneath of the legs ( if needed ) for product stability

