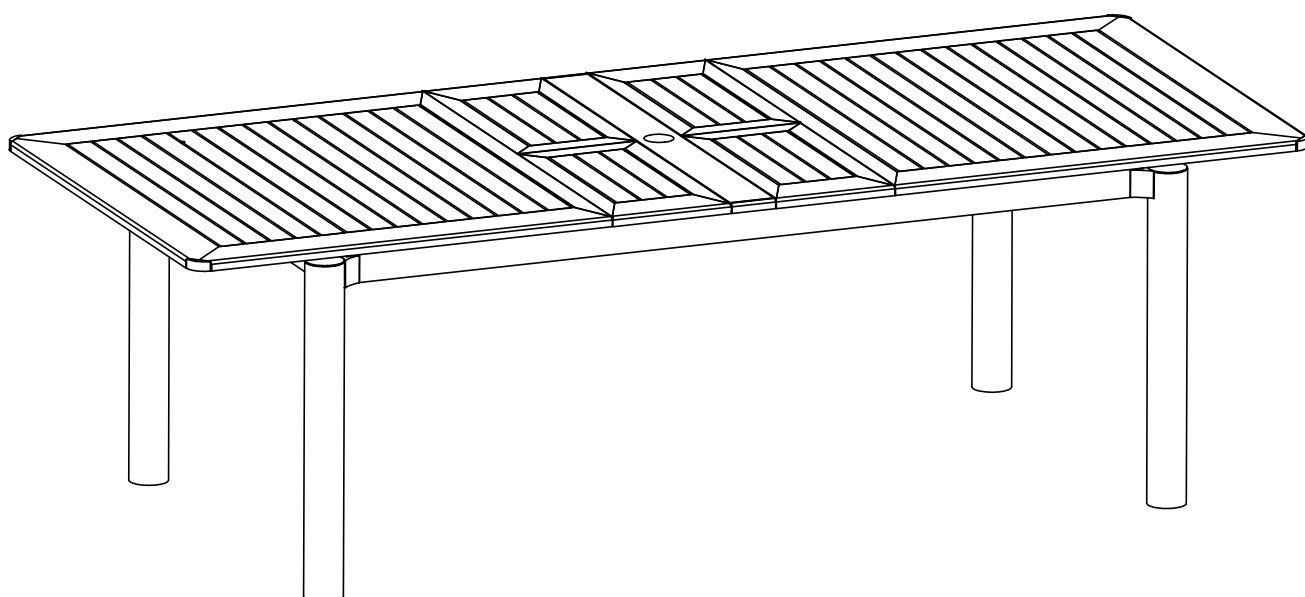


# ARTICLE.

VERSION 1.1

## Assembly Instructions



# FISK

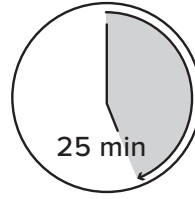
Dining Table for 8, Extendable

## ASSEMBLY INSTRUCTIONS

Read these instructions carefully and keep for future reference. Refer to parts inventory for guidance, and ensure you have all pieces before starting.

When assembling, place all parts on a soft, clean, and flat surface such as a carpet to prevent scratches.

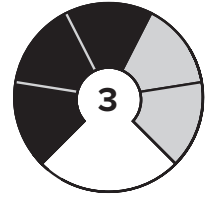
If you're having difficulty, our friendly Customer Care team is always here to help. Call us at **1.888.746.3455** during business hours, email [service@article.com](mailto:service@article.com) or chat live at [article.com](https://www.article.com).









TIME



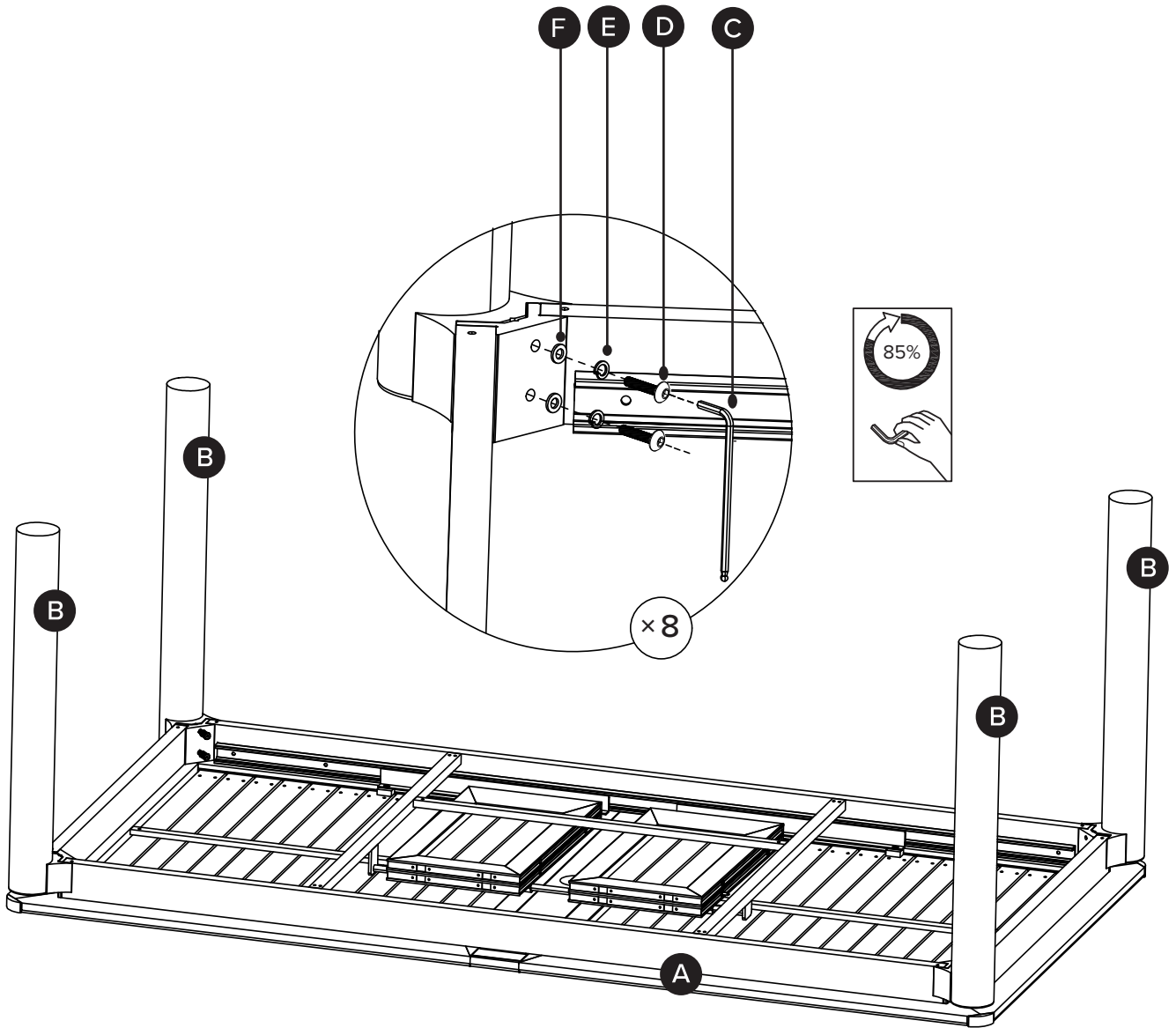
2 PERSON



DIFFICULTY LEVEL

PARTS INVENTORY		
ID	DESCRIPTION	QTY
<b>A</b>	Table Top 	1
<b>B</b>	LEG 	4
<b>C</b>	ALLEN KEY(4.0) 	1
<b>D</b>	BOLT(M6x30) 	8
<b>E</b>	LOCK WASHER 	8
<b>F</b>	WASHER(M6) 	8

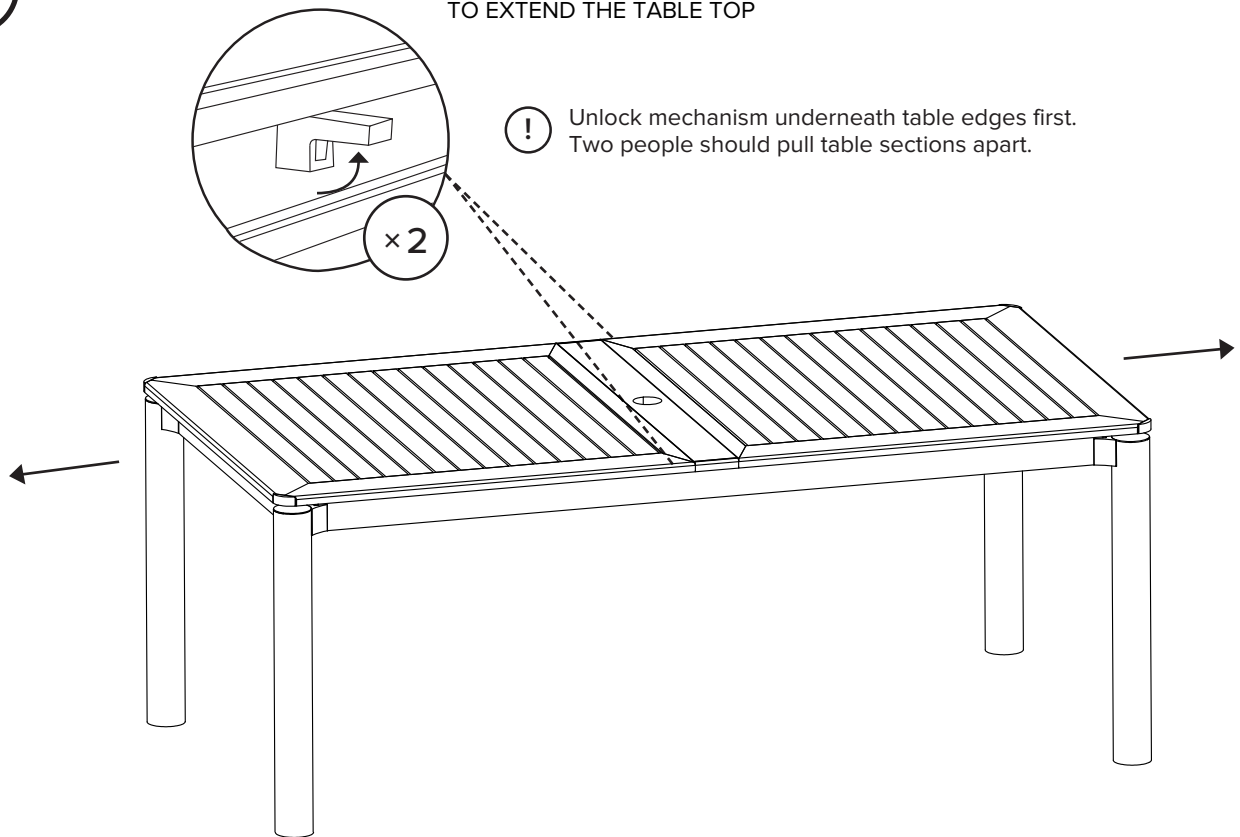
1



While the table is upside down, fully tighten all bolts (C) once bolts and leg frames (A) are aligned properly, before turning upright.

2

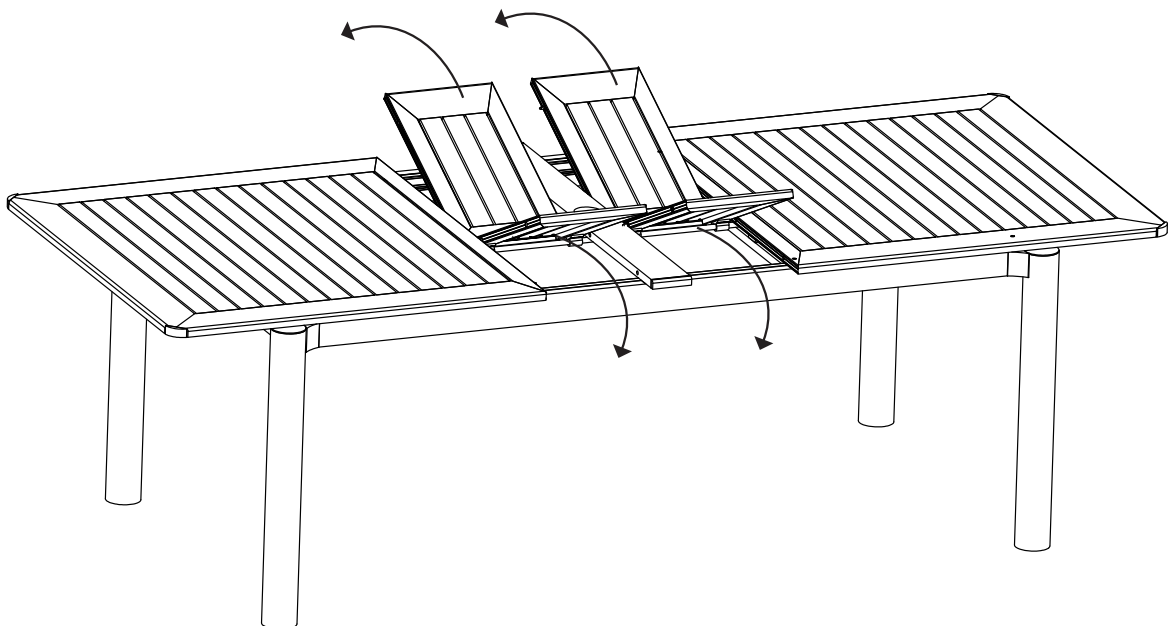
TO EXTEND THE TABLE TOP



3

While opening the butterfly leaf

! Ensure that the table is fully separated to avoid scratching the hidden leaf.



After open the leaf, please ensure to align the pins & holes before engaging the main table top to the leave

4

