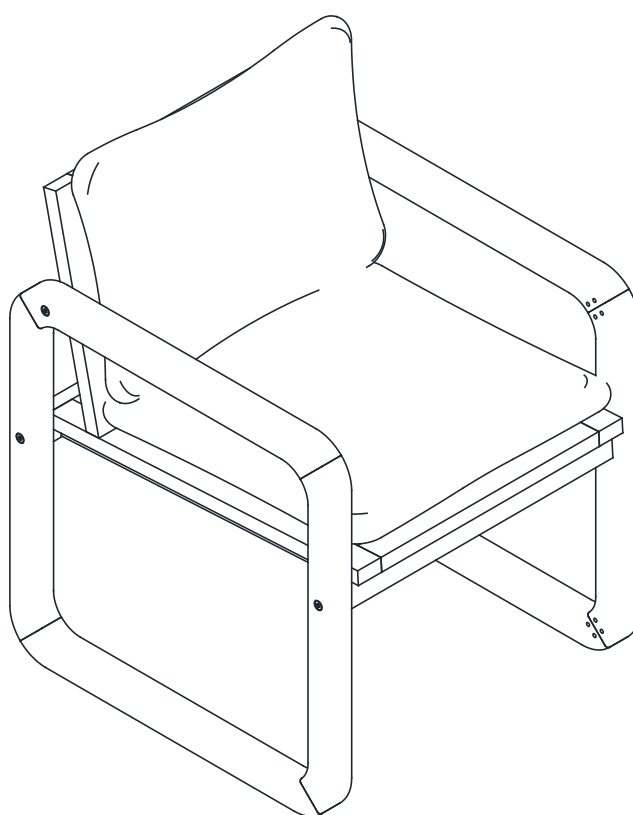


ARTICLE.

VERSION 1.0

Assembly Instructions



LAHOLM

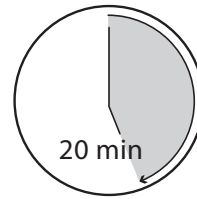
Dining Chair

ASSEMBLY INSTRUCTIONS

Read these instructions carefully and keep for future reference. Refer to parts inventory for guidance, and ensure you have all pieces before starting.

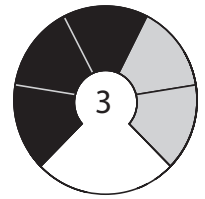
When assembling, place all parts on a soft, clean, and flat surface such as a carpet to prevent scratches.

If you're having difficulty, our friendly Customer Care team is always here to help. Call us at 1.888.746.3455 during business hours, email service@article.com or chat live at article.com.



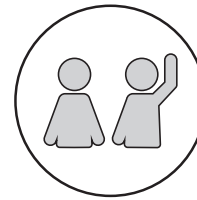
20 min

TIME

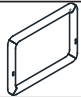
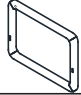
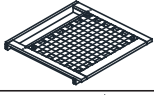







3





DIFFICULTY



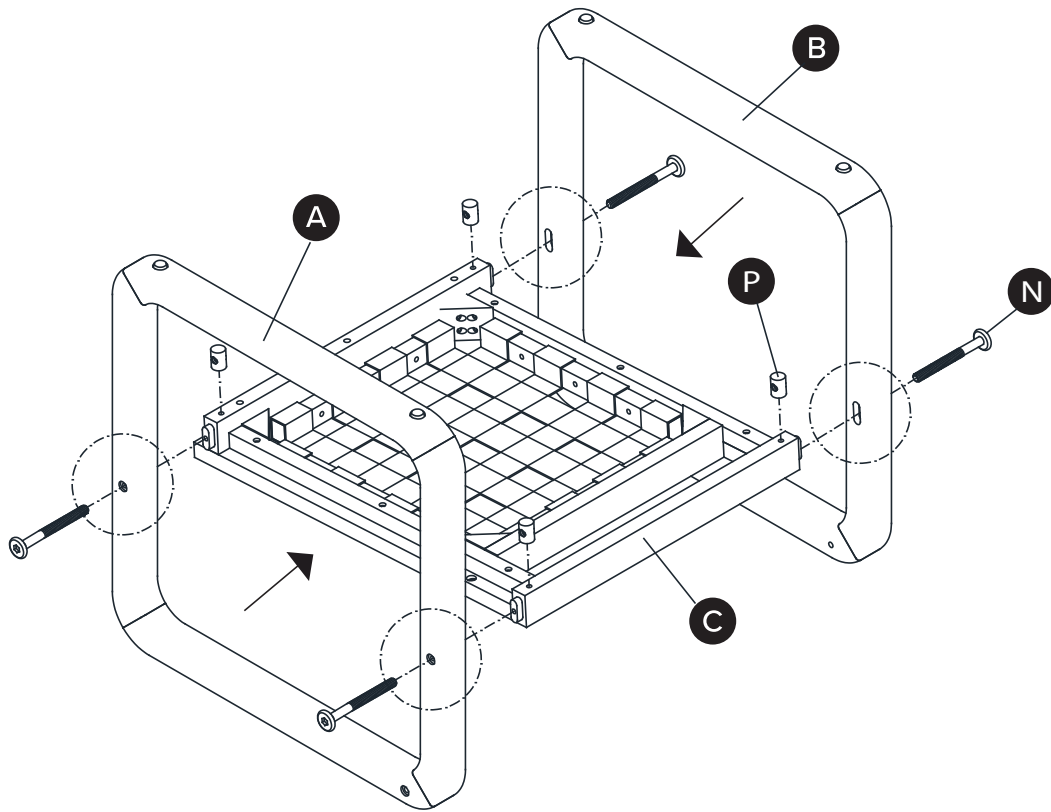
2 PEOPLE

PARTS INVENTORY		
ID	DESCRIPTION	QTY
A	LEFT ARM 	1
B	RIGHT ARM 	1
C	SEAT FRAME 	1
D	BACK REST FRAME 	1
H	SEAT CUSHION 	1
I	BACK CUSHION 	1

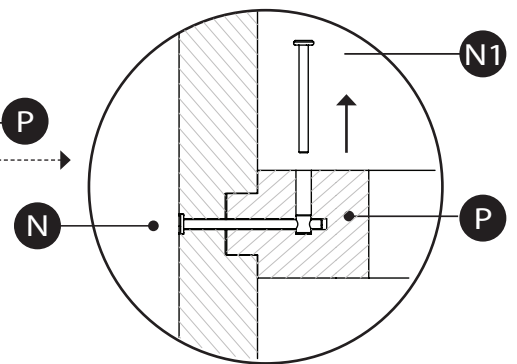
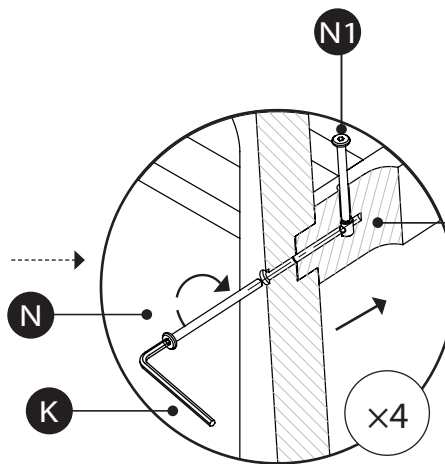
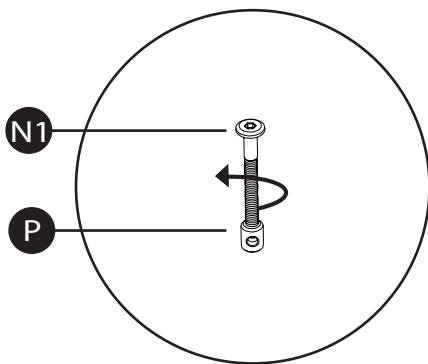
TOOLS INVENTORY		
ID	DESCRIPTION	QTY
K	ALLEN KEY 	1
N1	BOLT GALVANIZED M6 x 70MM 	1

HARDWARE INVENTORY		
ID	DESCRIPTION	QTY
L	BOLT M6 x 40MM 	2
O	BOLT M6 x 60MM 	2
N	BOLT M6 x 70MM 	4
P	NUTT 	4

1



! Do not completely tighten bolts.

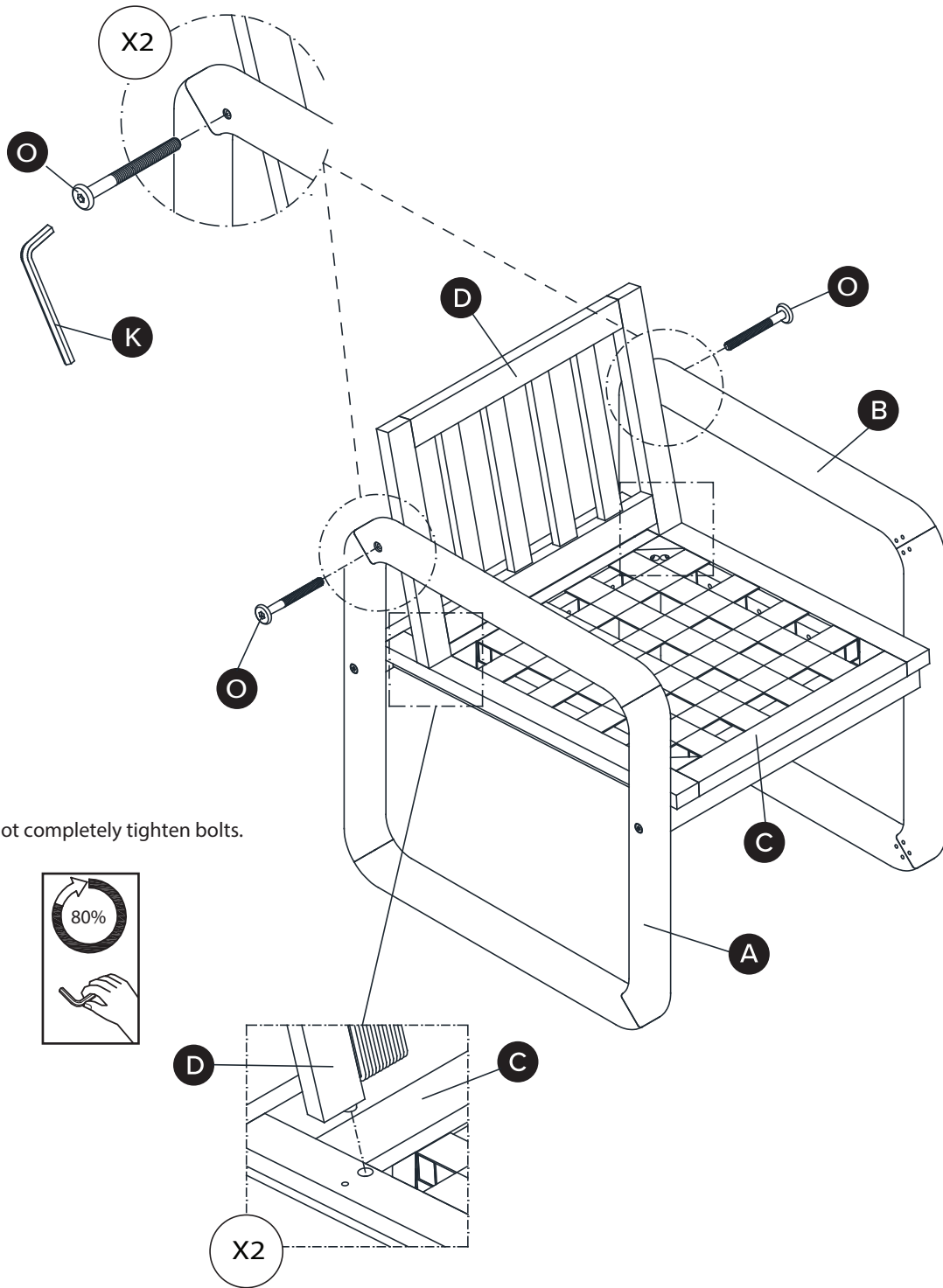


! Note: use bolt (N1) as a tool to insert temporarily and hold nut (P) to holes underneath the seat, while connecting bolt (N) to nut (P).

Nut (P) has to turn toward the right direction to connect with bolt (N).

Remove bolt (N1) after nut (P) is completely attached to bolt (N).

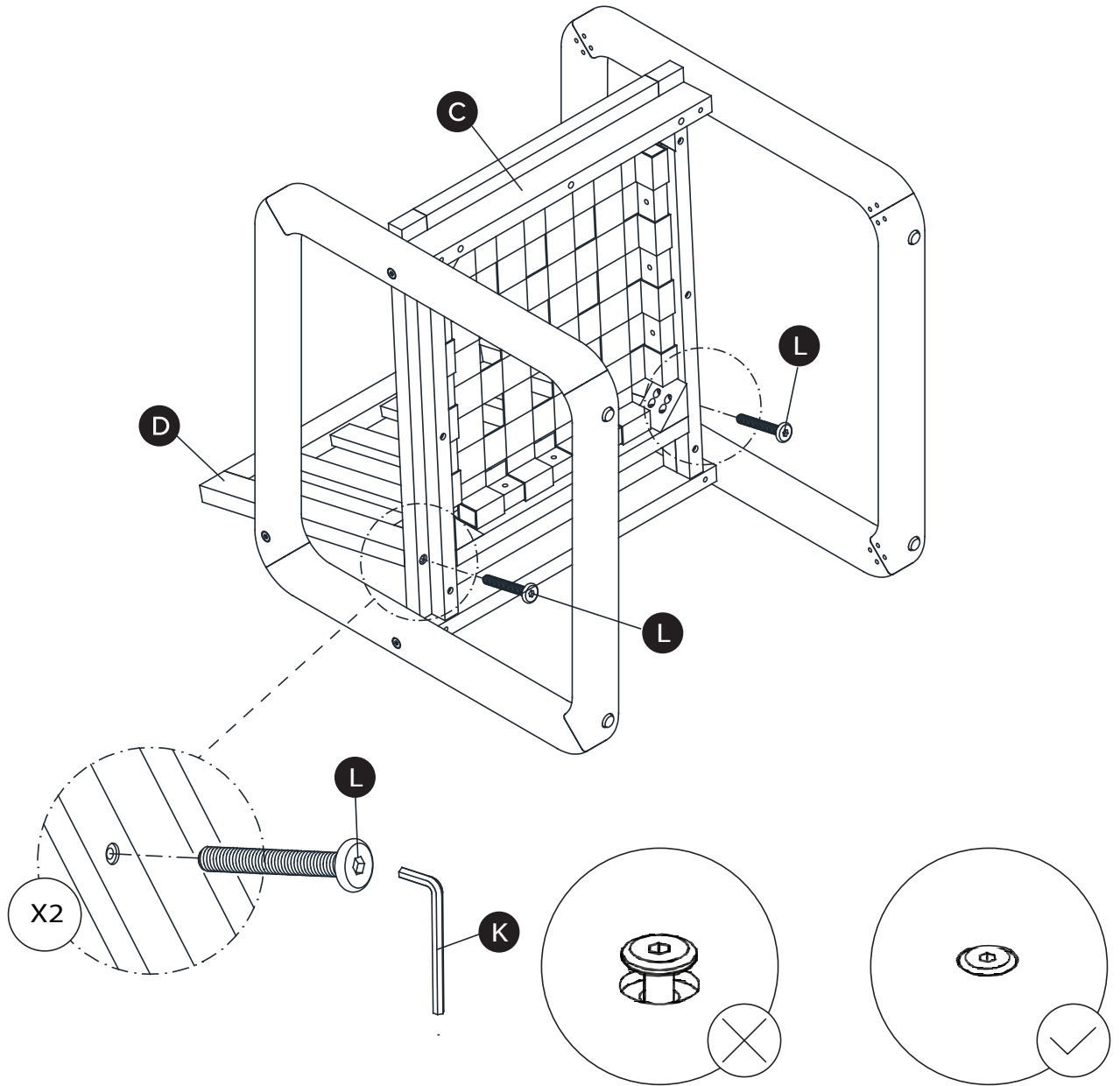
2



! Do not completely tighten bolts.



3

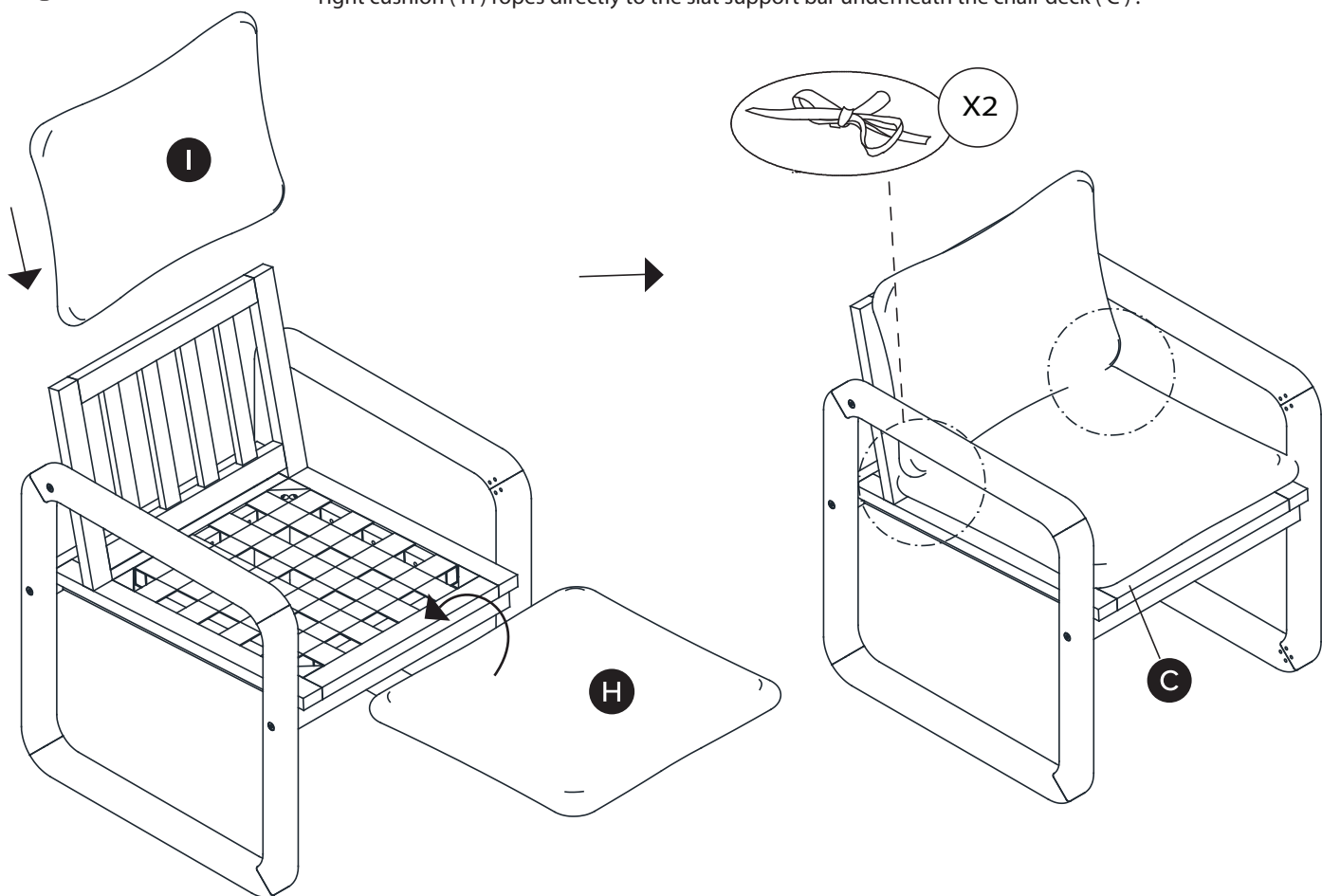


! Once all bolts are placed, completely tighten all bolts



4

Tight cushion (H) ropes directly to the slat support bar underneath the chair deck (C) .



5

Turn the dining chair upright and adjust the levelers at the bottom of the legs (if needed) to balance the dining chair.

