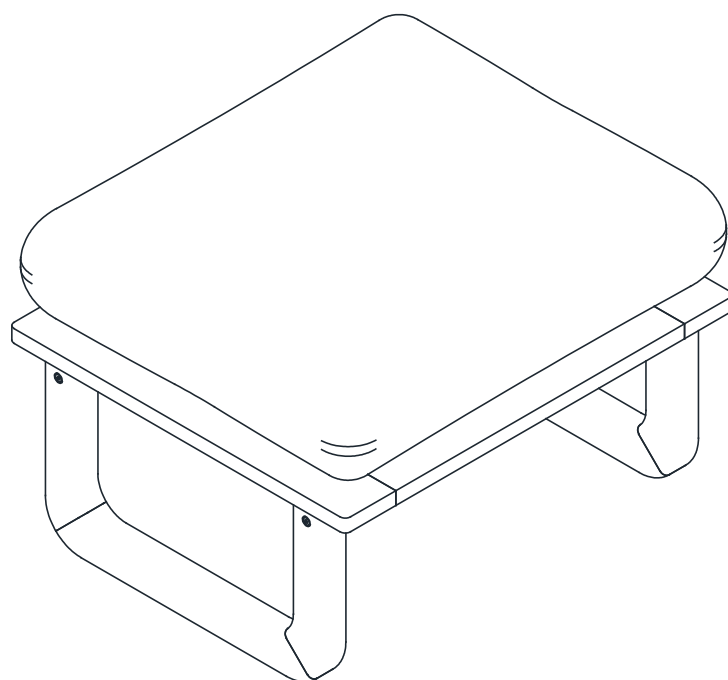


# ARTICLE.

VERSION 1.0

## Assembly Instructions



# LAHOLM

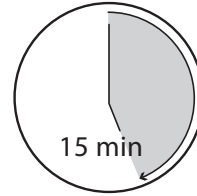
OTTOMAN

## ASSEMBLY INSTRUCTIONS

Read these instructions carefully and keep for future reference. Refer to parts inventory for guidance, and ensure you have all pieces before starting.

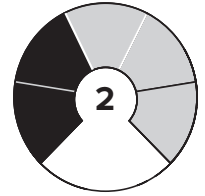
When assembling, place all parts on a soft, clean, and flat surface such as a carpet to prevent scratches.

If you're having difficulty, our friendly Customer Care team is always here to help. Call us at 1.888.746.3455 during business hours, email [service@article.com](mailto:service@article.com) or chat live at [article.com](https://www.article.com).



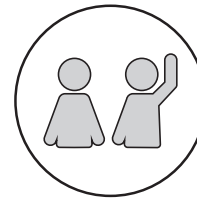
15 min

TIME

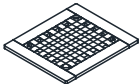
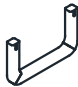





2



DIFFICULTY



2 PEOPLE

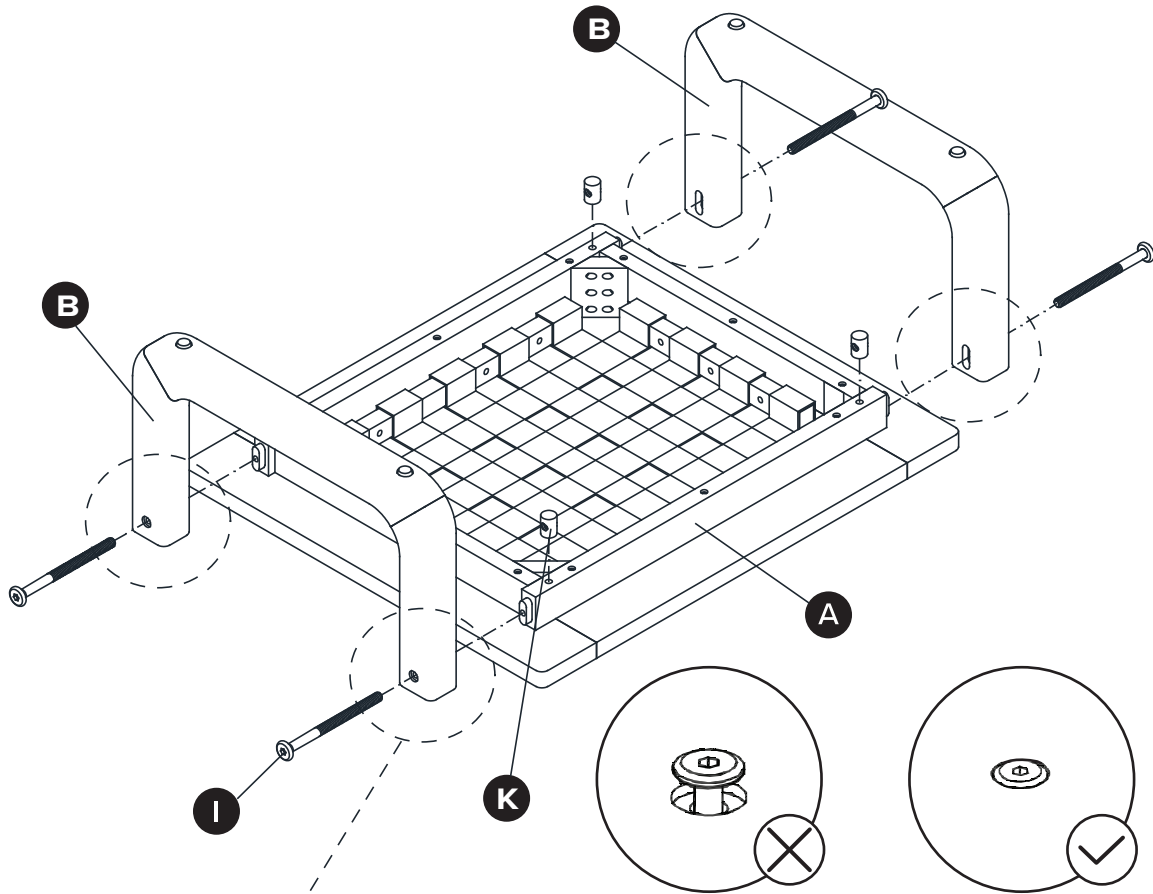
PARTS INVENTORY			
ID	DESCRIPTION		QTY
<b>A</b>	SEAT OTTOMAN		1
<b>B</b>	LEG OTTOMAN		2
<b>I</b>	SEAT CUSHION		1

TOOLS INVENTORY			
ID	DESCRIPTION		QTY
<b>F</b>	ALLEN KEY		1
<b>H1</b>	BOLT GALVANIZED M6 x 70MM		1

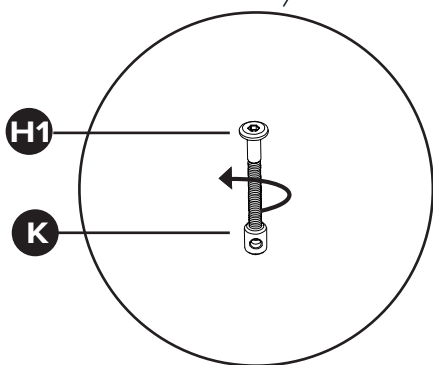
HARDWARE INVENTORY			
ID	DESCRIPTION		QTY
<b>I</b>	BOLT M6 x 90MM		4
<b>K</b>	NUT		4

1

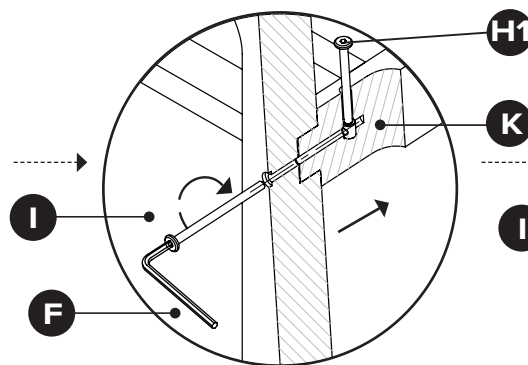
Place seat Ottoman (A) upside down on a padded surface. Insert two Leg (B) to seat Ottoman (A) as shown in the below picture.



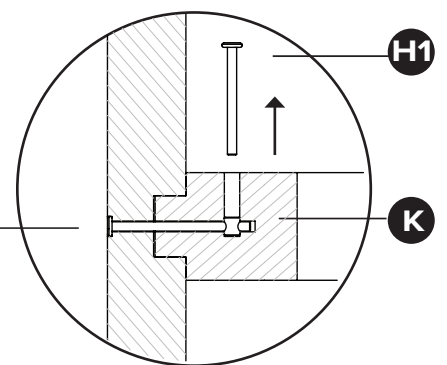
! Once all bolts are placed, completely tighten



! Note: use bolt (H1) as a tool to insert temporarily and hold nut (K) to holes underneath the seat, while connecting bolt (I) to nut (K).

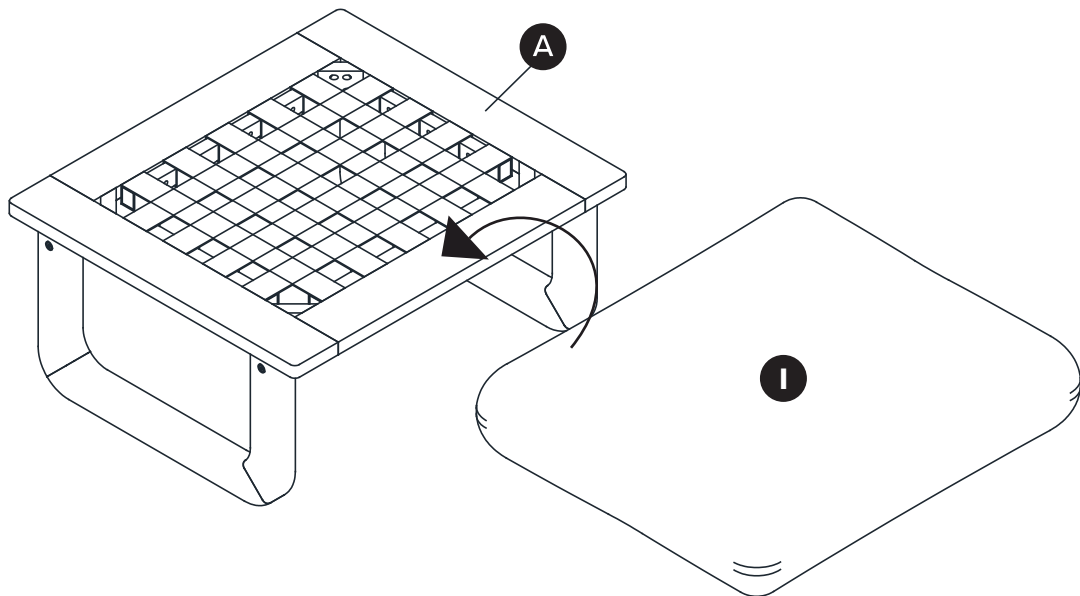


Nut (K) has to turn toward the right direction to connect with bolt (I).



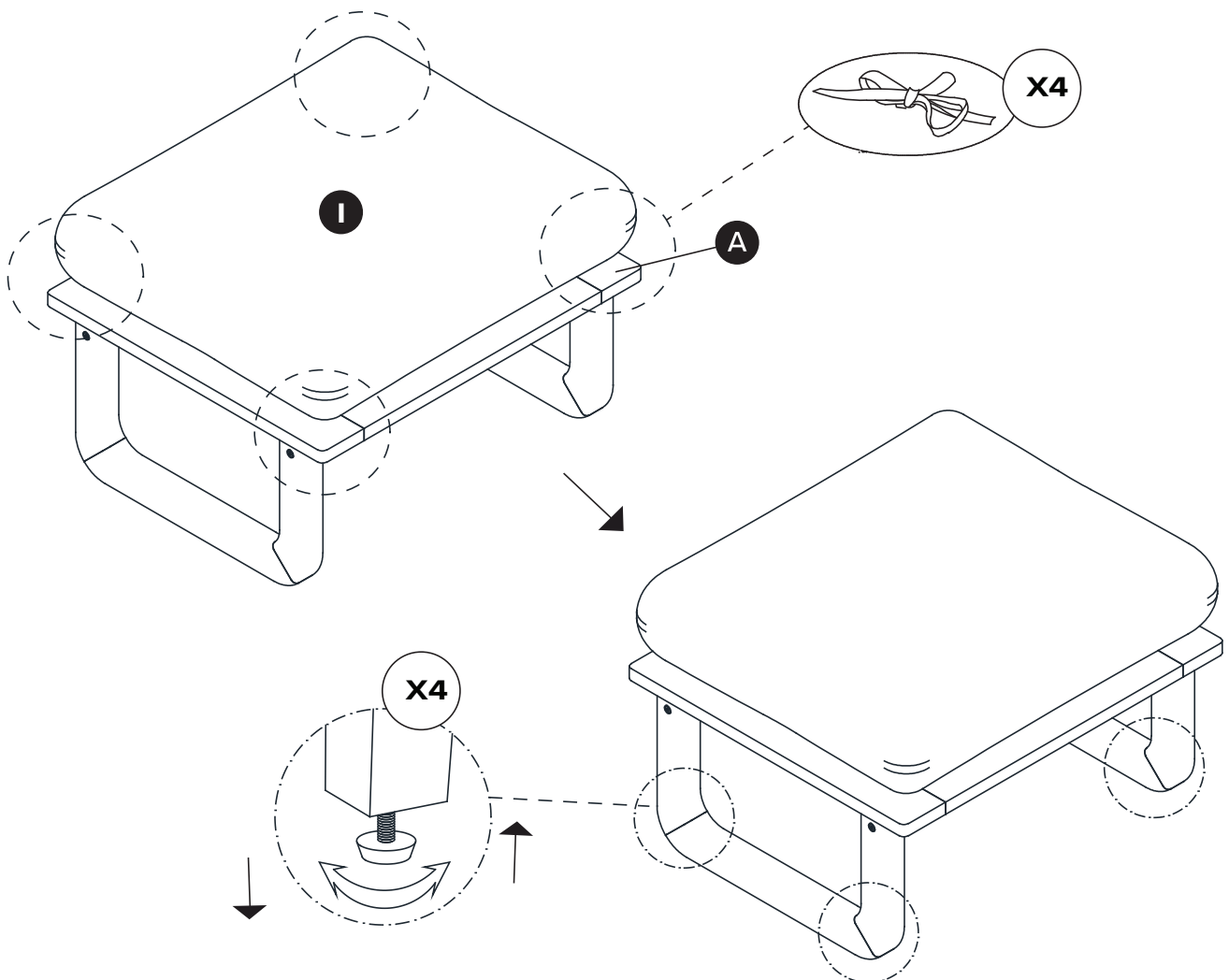
Remove bolt (H1) after nut (K) is completely attached to bolt (I).

2



3

Tight cushion ( I ) ropes directly to the corner block bar underneath the ottoman ( A ) .



Turn the Ottoman upright and adjust the levelers at the bottom of the legs (if needed) to balance the Ottoman.