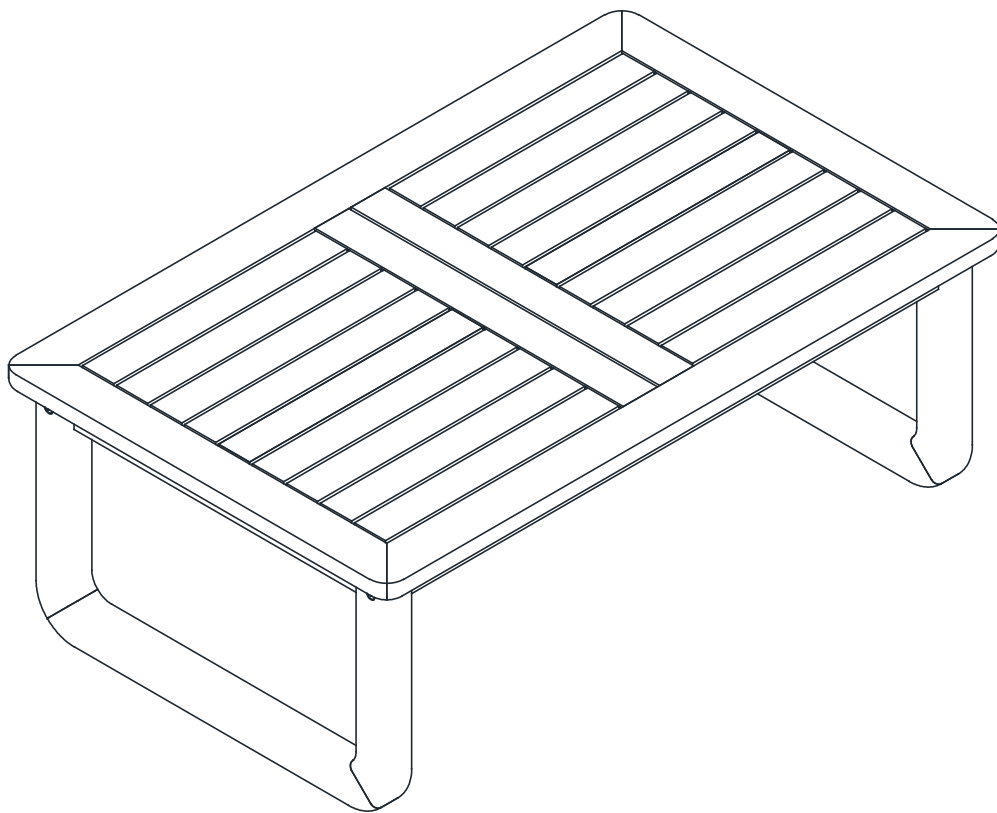


ARTICLE.

VERSION 1.0

Assembly Instructions



LAHOLM

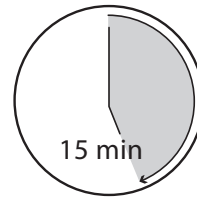
COFFEE TABLE

ASSEMBLY INSTRUCTIONS

Read these instructions carefully and keep for future reference. Refer to parts inventory for guidance, and ensure you have all pieces before starting.

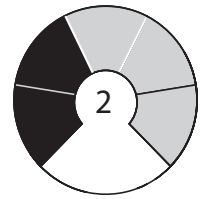
When assembling, place all parts on a soft, clean, and flat surface such as a carpet to prevent scratches.

If you're having difficulty, our friendly Customer Care team is always here to help. Call us at 1.888.746.3455 during business hours, email service@article.com or chat live at [article.com](https://www.article.com).



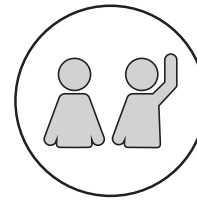
15 min

TIME


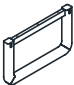




2




DIFFICULTY



2 PEOPLE

PARTS INVENTORY		
ID	DESCRIPTION	QTY
A	TABLE TOP 	1
B	TABLE LEG 	2

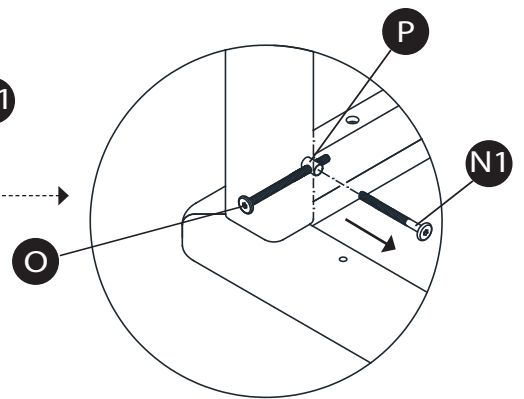
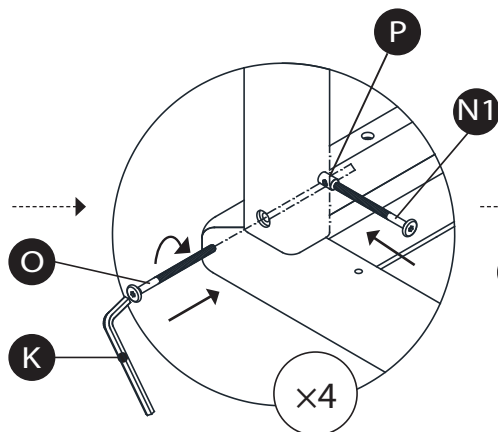
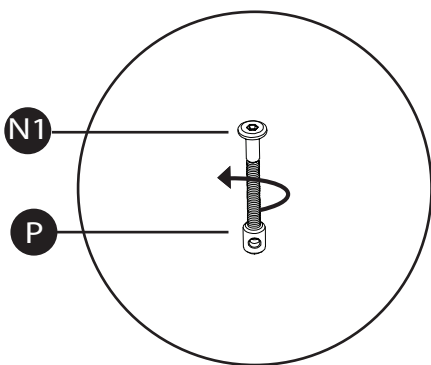
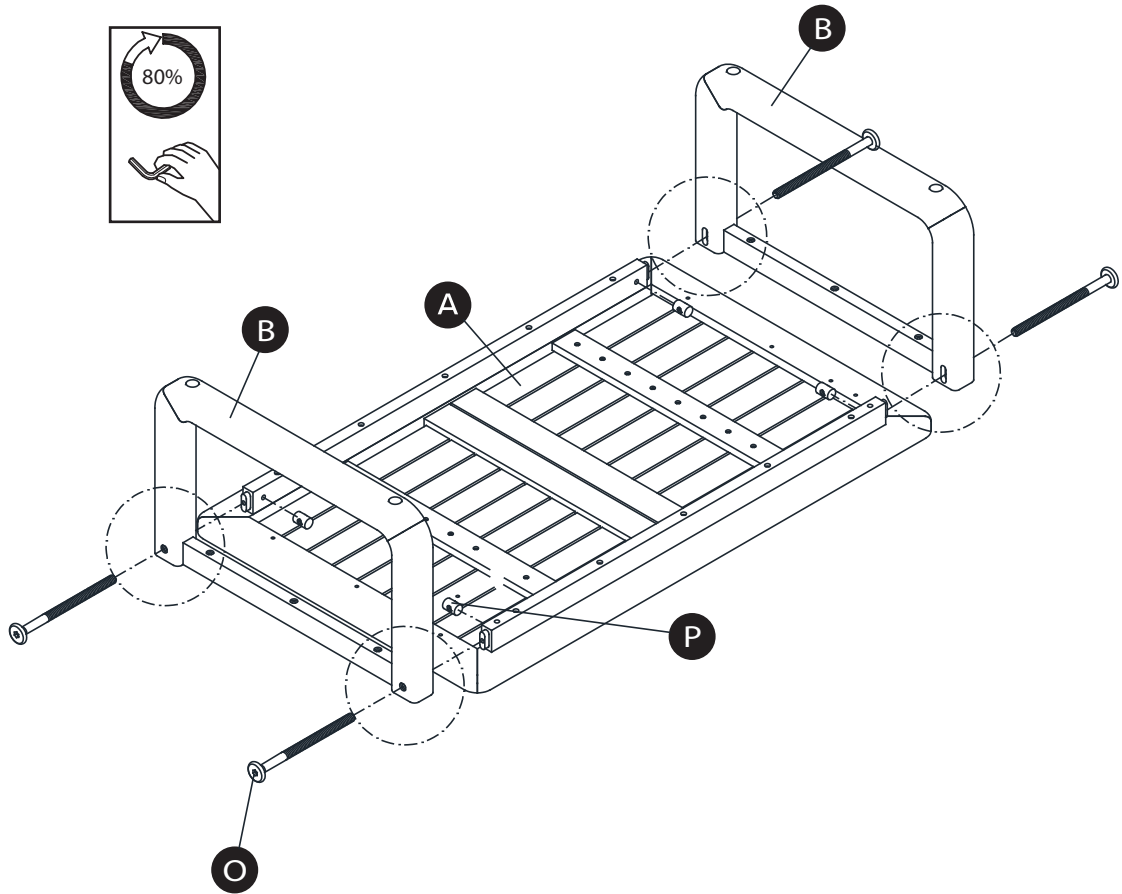
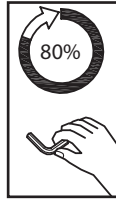
TOOLS INVENTORY		
ID	DESCRIPTION	QTY
K	ALLEN KEY 	1
N1	BOLT GALVANIZED M6 x 70MM 	1

HARDWARE INVENTORY		
ID	DESCRIPTION	QTY
M	BOLT M6 x 60MM 	6
O	BOLT M6 x 90MM 	4
P	NUTT 	4

1

Place table top (A) upside down on a padded surface. Insert two leg (B) to table top (A) as shown in the above picture.

! Do not completely tighten bolts.

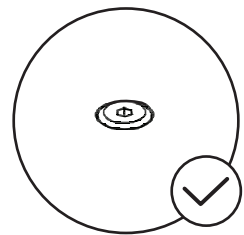
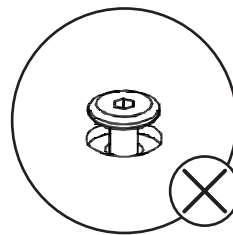
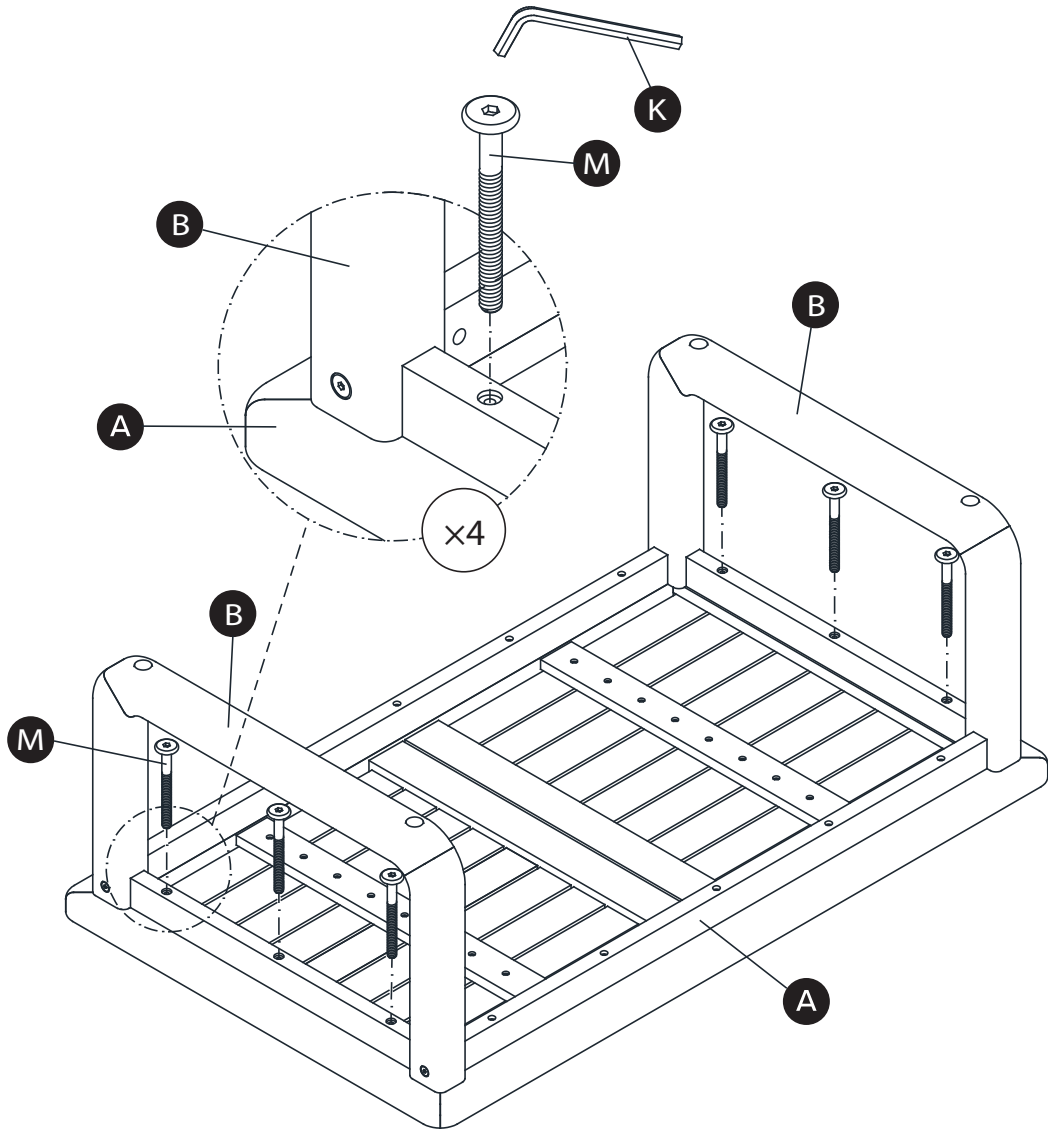


! Note: use bolt (N1) to insert temporarily and hold nut (P) to holes underneath the seat, while connecting bolt (O) to nut (P).

Nut (P) has to turn toward the right direction to connect with bolt (O).

Remove bolt (N1) after nut (P) is completely attached to bolt (O).

2



! Once all bolts are placed, completely tighten all bolts



3

Turn the table upright and adjust the levelers at the bottom of the legs (if needed) to balance the table.

