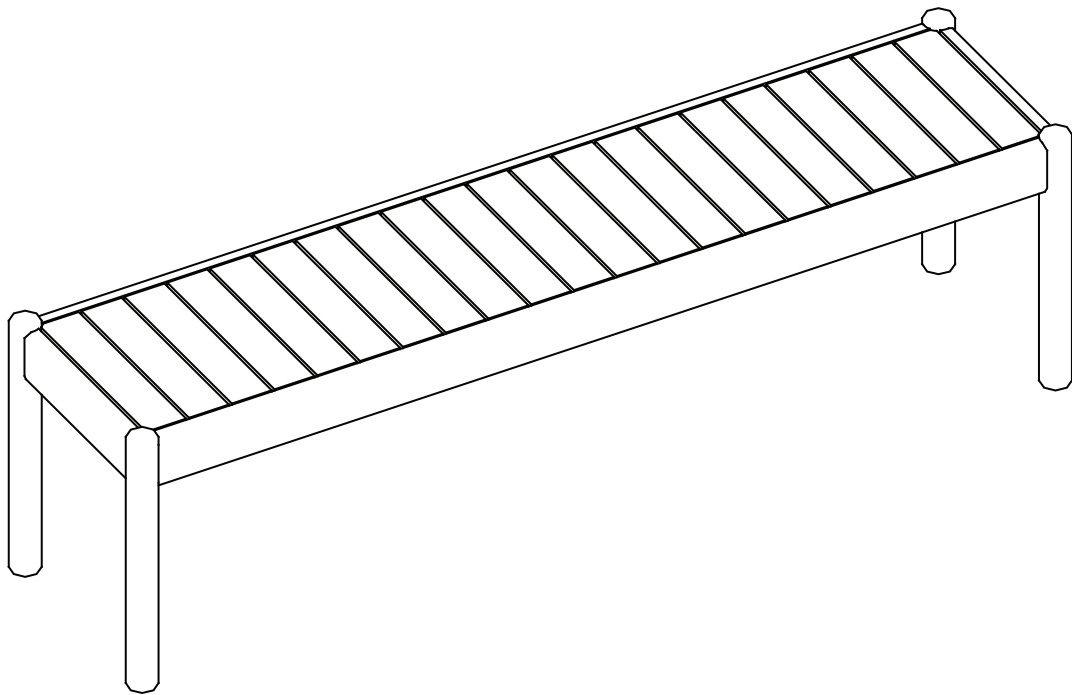


ARTICLE.

VERSION 1.1

Assembly Instructions



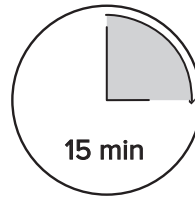
Rosa Dining Bench

ASSEMBLY INSTRUCTIONS

Read these instructions carefully and keep for future reference. Refer to parts inventory for guidance, and ensure you have all pieces before starting.

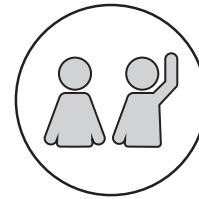
When assembling, place all parts on a soft, clean, and flat surface such as a carpet to prevent scratches.

If you're having difficulty, our friendly Customer Care team is always here to help . Call us at 1.888.746.3455 during business hours, email service@article.com or chat live at [article.com](https://www.article.com) .

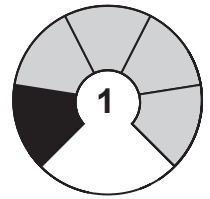


15 min



TIME



1 PEOPLE



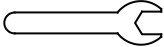


DIFFICULTY

PARTS INVENTORY		
ID	DESCRIPTION	QTY
A	Bench seat frame 	1
B	Leg 	4

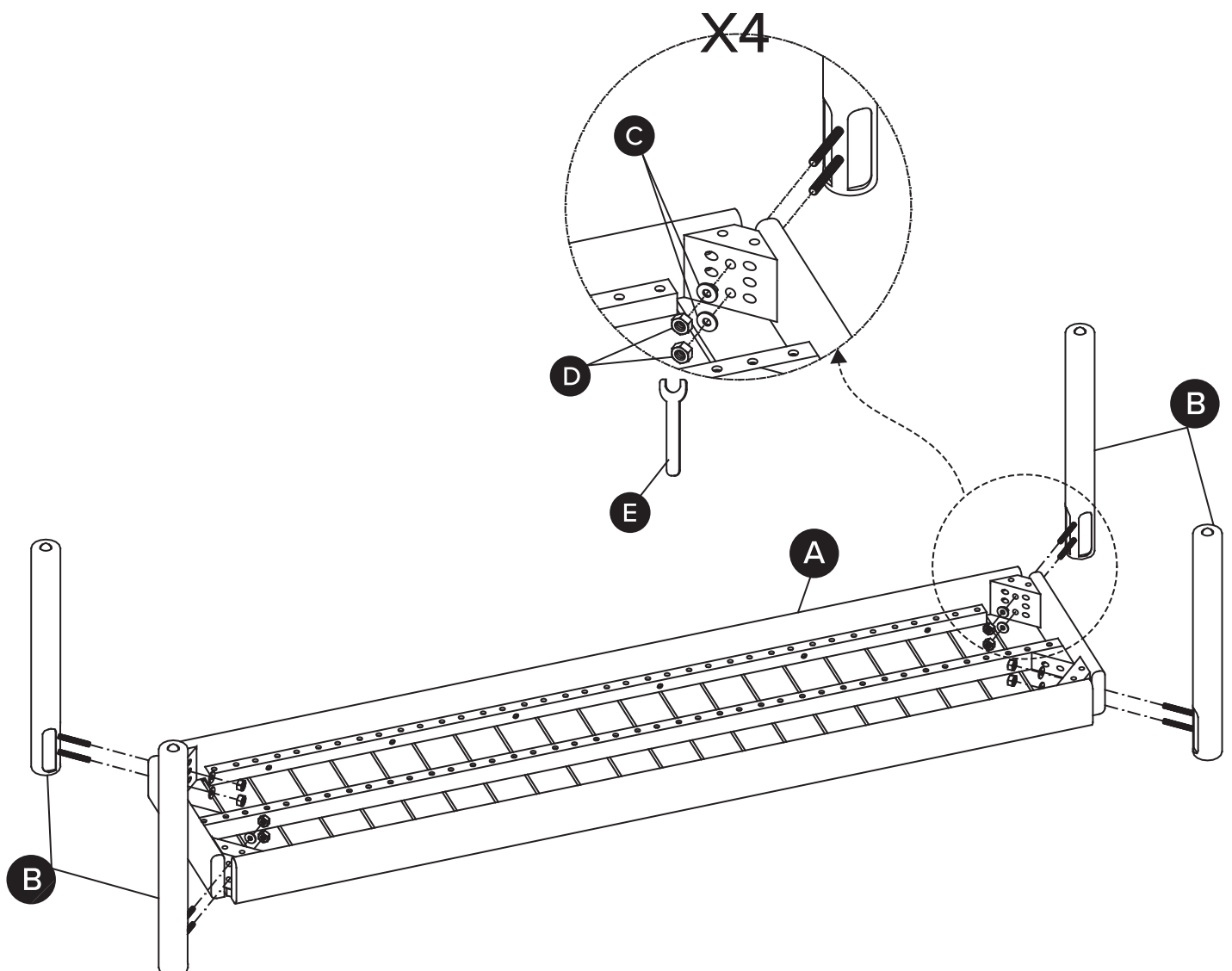


Hardware may loosen over time , check the bolts regularly and tighten if necessary .

HARDWARE INVENTORY		
ID	DESCRIPTION	QTY
C	Washer $\phi 25 \times 2 \text{mm}$ 	8
D	Hex nut M8 	8
E	Open wrench #13 	1

1

- ! Place bench seat frame (A) upside down on a padded non-marry surface. Insert leg (B) so that the bolts go through predrillet holes at the bench seat frame corner. Secure the washer (C) and hex nut (D) by using the open wrench (E).



Repeat the above steps for the other legs

Tip: User are advised to secure the hex nut by hand first, before using open wrench fully tighten it.

2

- Turn the bench upright and adjust the levelers at the bottom of the legs (if needed) to balance the bench.

