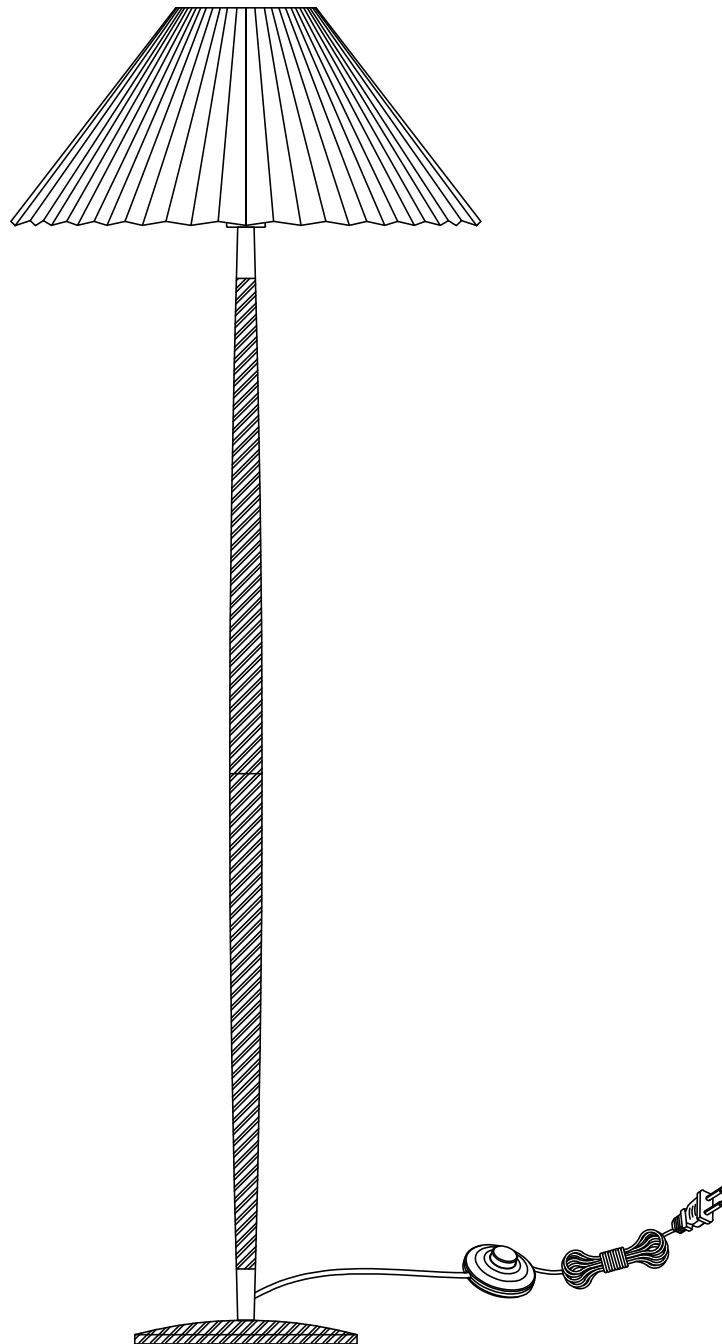


ARTICLE.

VERSION 1.0

Assembly Instructions



RYE

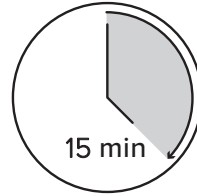
Floor Lamp

ASSEMBLY INSTRUCTIONS

Read these instructions carefully and keep for future reference. Refer to parts inventory for guidance, and ensure you have all pieces before starting.

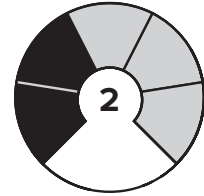
When assembling, place all parts on a soft, clean, and flat surface such as a carpet to prevent scratches.

If you're having difficulty, our friendly Customer Care team is always here to help. Call us at **1.888.746.3455** during business hours, email service@article.com or chat live at [article.com](https://www.article.com).



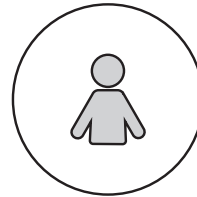
15 min

TIME




2

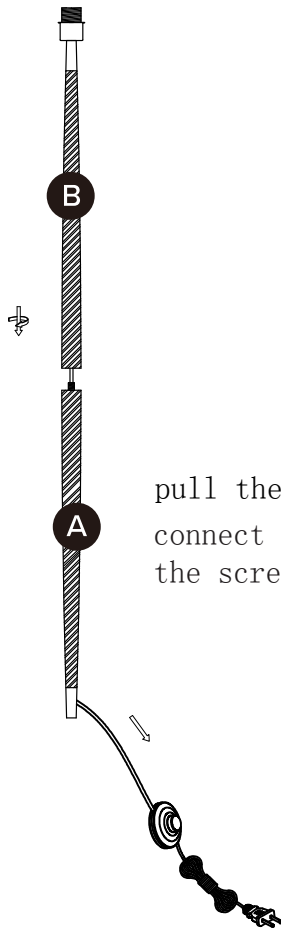
DIFFICULTY



OF PEOPLE

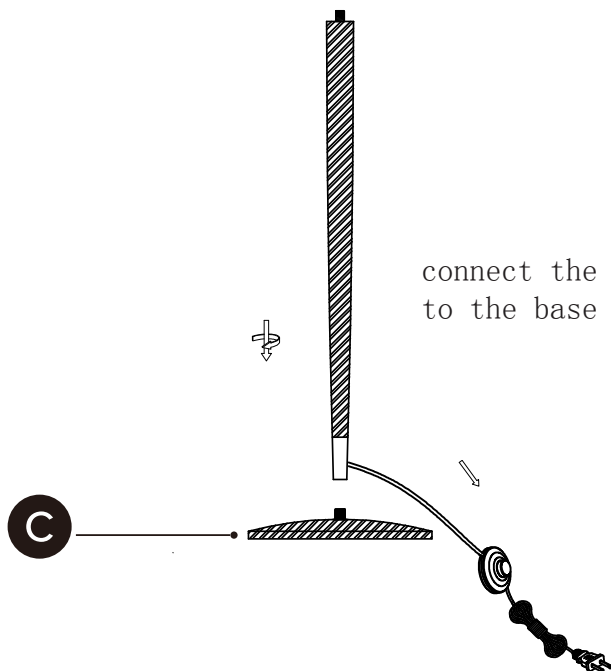
PARTS INVENTORY		
ID	DESCRIPTION	QTY
A	LAMP BOTTOM SEGMENT & CODE	1
B	LAMP TOP SEGMENT & CODE	1
C	BASE	1
D	SOCKET	1
E	SHADE	1
F	SOCKET RING (PRE-INSTALLED) 	1
G	BULB (E26 4W LED G50)	1

1



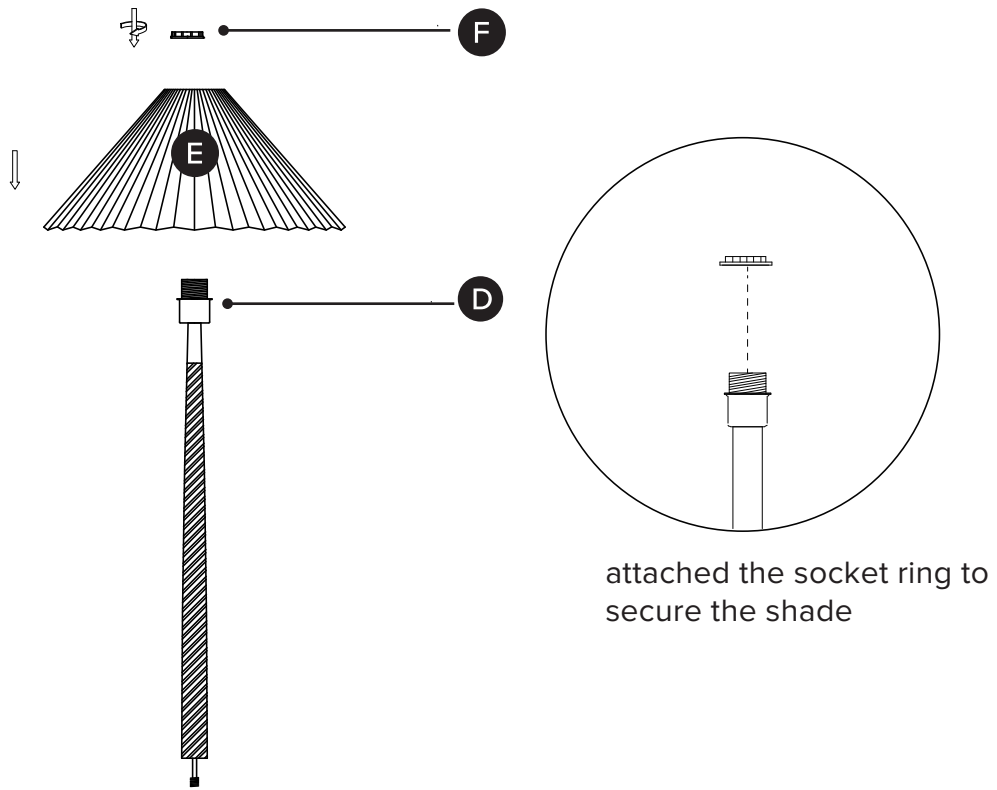
pull the cord diagonally until the segment connect with each other then rotate the screws until tighten

2



connect the lower segment to the base until tighten

3



4

