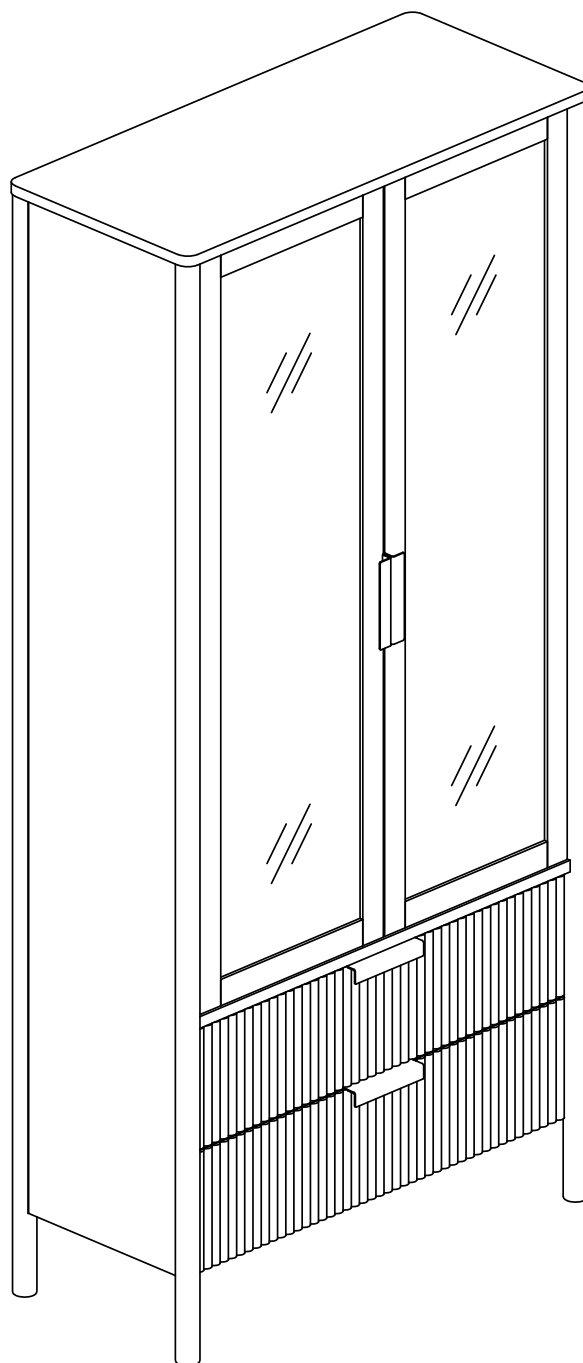


ARTICLE.

VERSION 1.0

Assembly Instructions



LIV

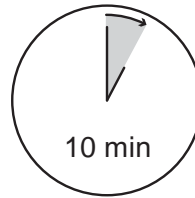
Glass Cabinet

ASSEMBLY INSTRUCTIONS

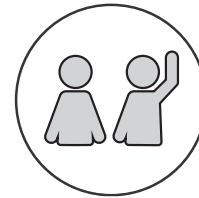
Read these instructions carefully and keep for future reference. Refer to parts inventory for guidance, and ensure you have all pieces before starting.

When assembling, place all parts on a soft, clean, and flat surface such as a carpet to prevent scratches.

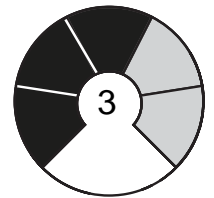
If you're having difficulty, our friendly Customer Care team is always here to help. Call us at **1.888.746.3455** during business hours, email service@article.com or chat live at [article.com](https://www.article.com).



TIME



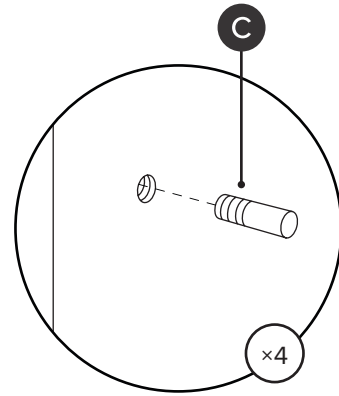
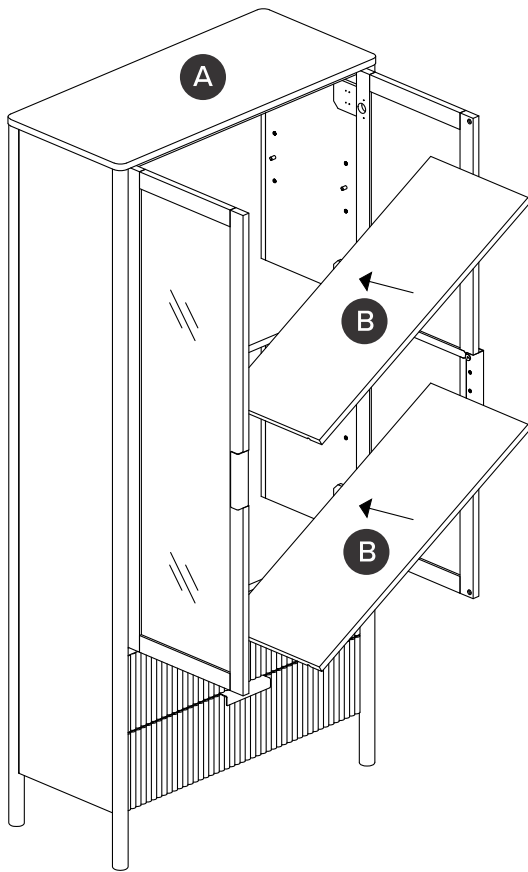
OF PEOPLE



DIFFICULTY

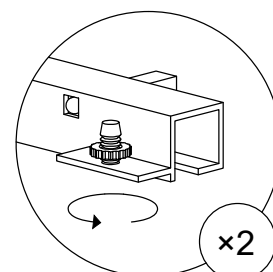
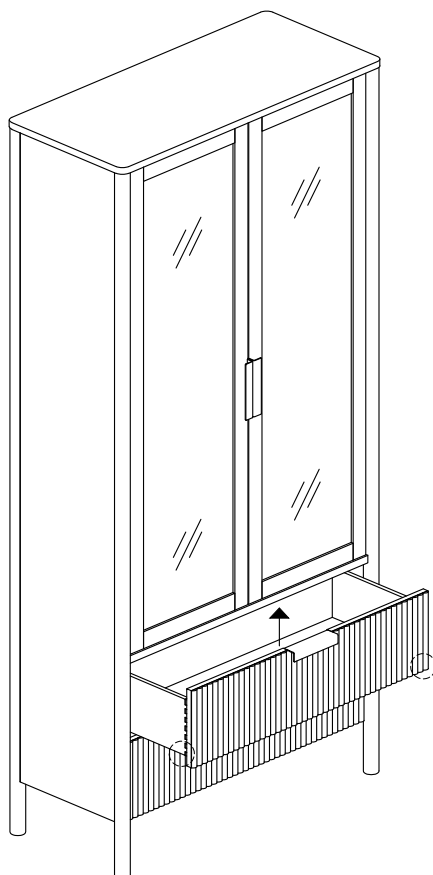
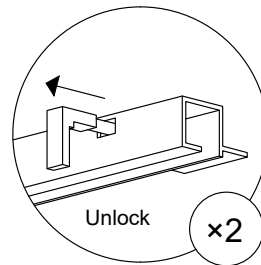
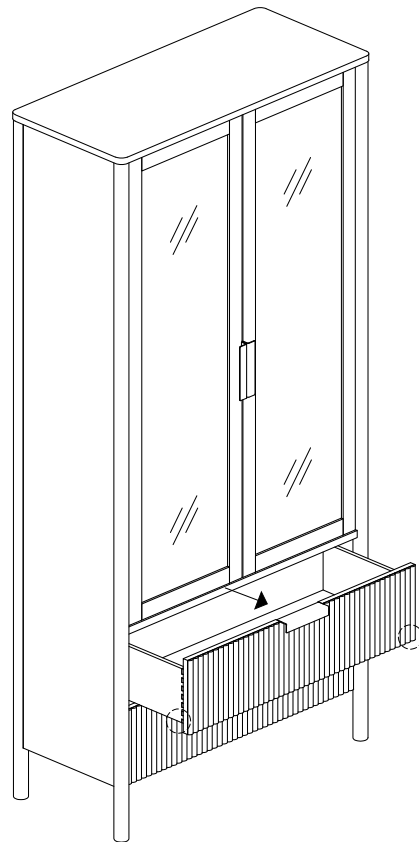
PARTS INVENTORY		
ID	DESCRIPTION	QTY
A	CABINET	1
B	SHELVES	2
C	SHELVES PIN (PRE- INSTALL)	8

1

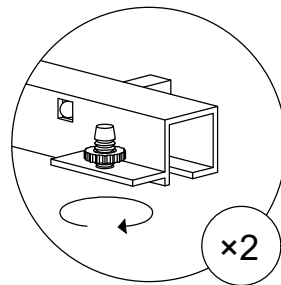
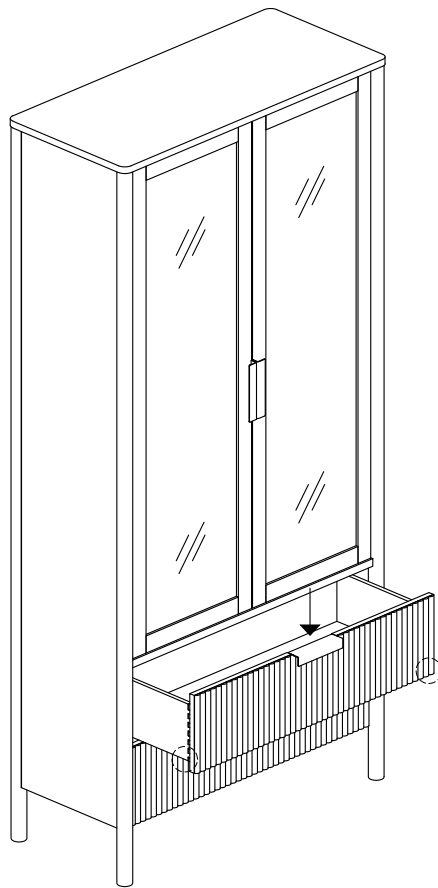


ⓘ Adjust shelf pins first in order to move the shelf up and down.

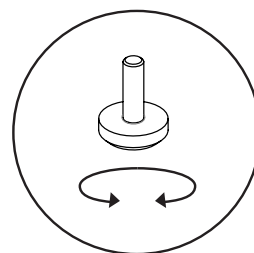
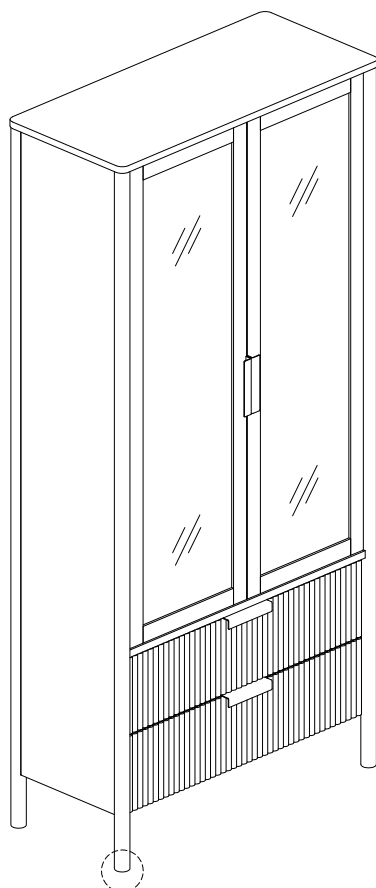
FIX A CROOKED DRAWER



! If drawer needs fixing adjust the drawer up



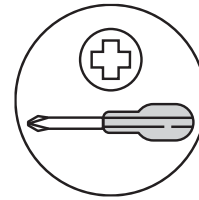
! If drawer needs fixing adjust the drawer down.



! Adjust leveler legs as needed.

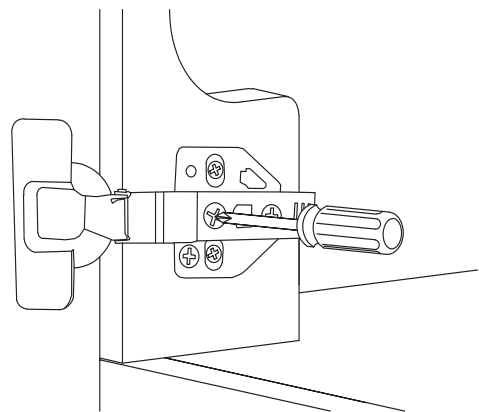
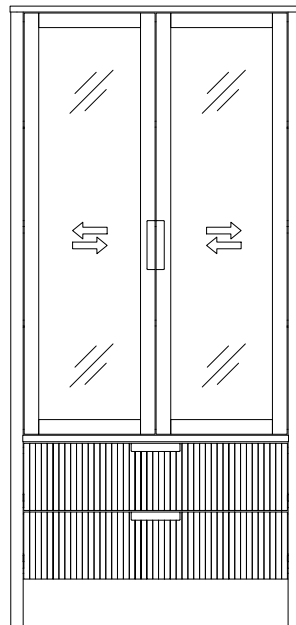
DOOR ADJUSTMENT INSTRUCTIONS

! During shipping, the doors of your cabinet may have shifted slightly. This can easily be corrected by tightening a few screws. Always start by adjusting the top hinge on the affected door.



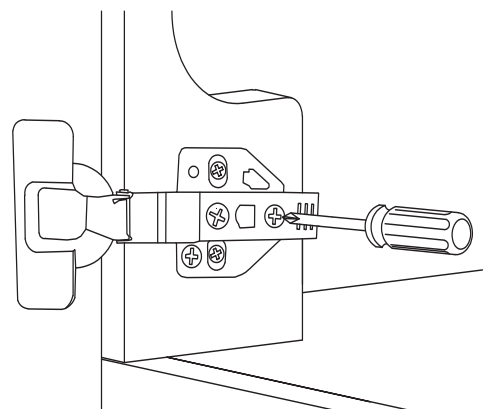
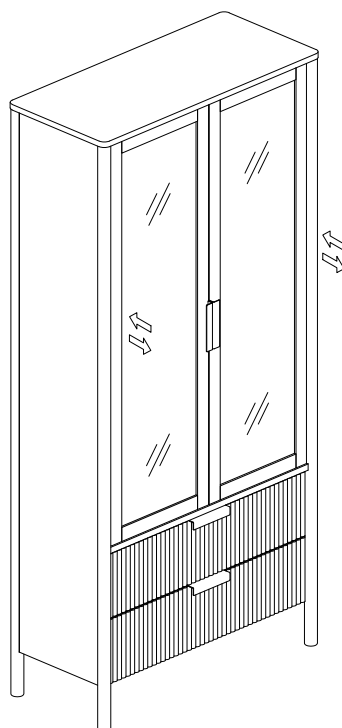
1A

If the door needs adjustment side to side:



1B

If the door needs adjustment forward or backward:



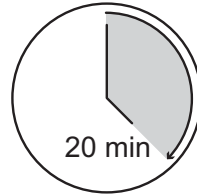


ANTI-TIP RESTRAINT INSTALLATION

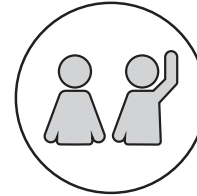
WARNING!

Children have died from furniture tipover.
To reduce the risk of furniture tipover:

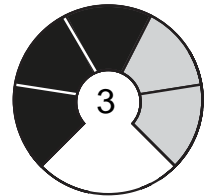
- ALWAYS install tipover restraint provided.
- NEVER put a TV on this product.
- NEVER allow children to stand, climb or hang on drawers, doors, or shelves.
- NEVER open more than one drawer at a time.
- Place heaviest items in the lower drawers.



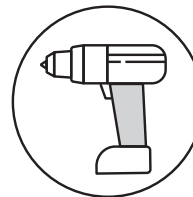
TIME



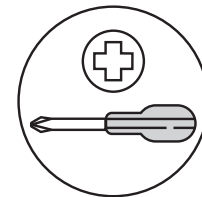
OF PEOPLE



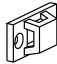

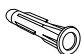
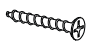

DIFFICULTY




REQUIRED TOOL
8MM / 5/16" DRILL BIT

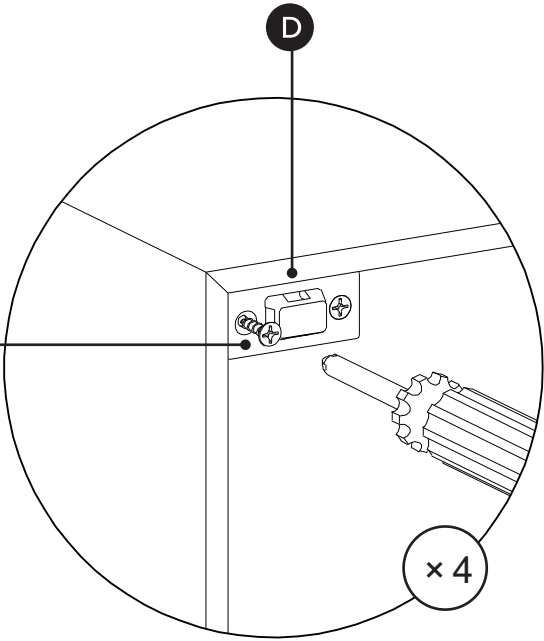


REQUIRED TOOL

PARTS INVENTORY			
ID	DESCRIPTION		QTY
D	BRACKET		4
E	M4 × 20MM SCREW		4
F	M8 × 51MM PLUG		4
G	M6 × 70MM SCREW		4
H	STRAP		2

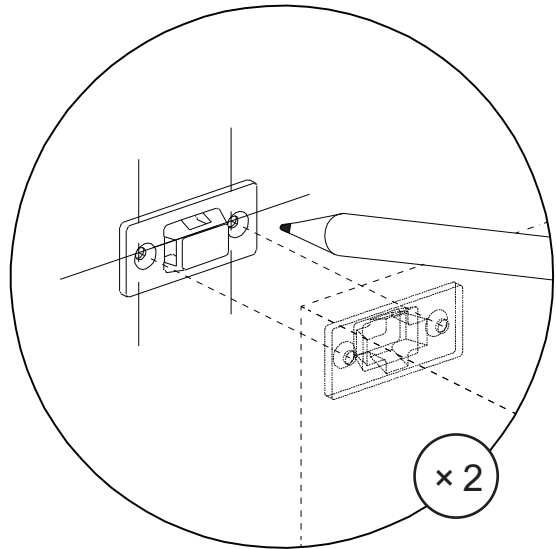
 Hardware (F/G) to attach brackets to wall is designed for drywall. To attach this unit to another type of wall, consult with your local hardware store.

1



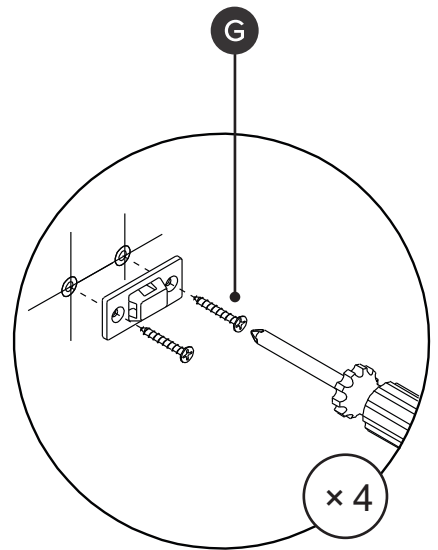
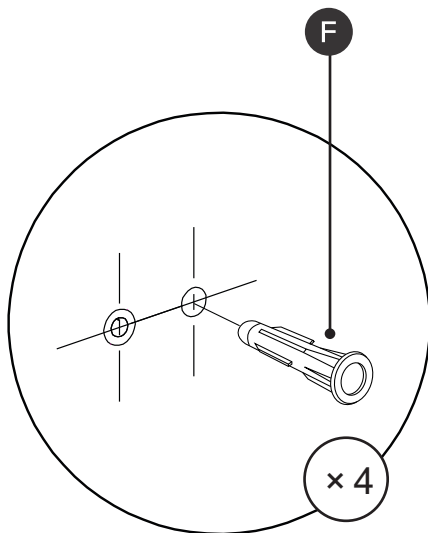
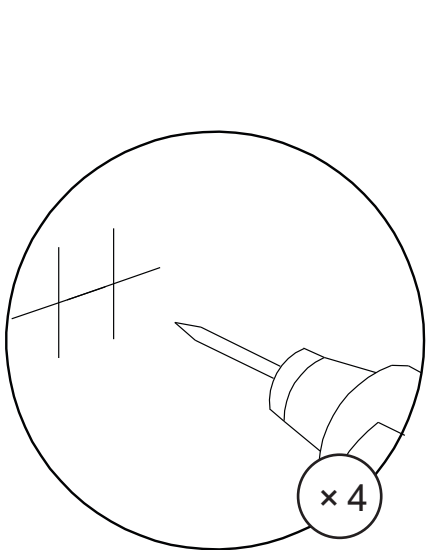
Attach pair of brackets to top corners of the back of the unit.

2



Mark on wall where second pair of brackets should be placed.

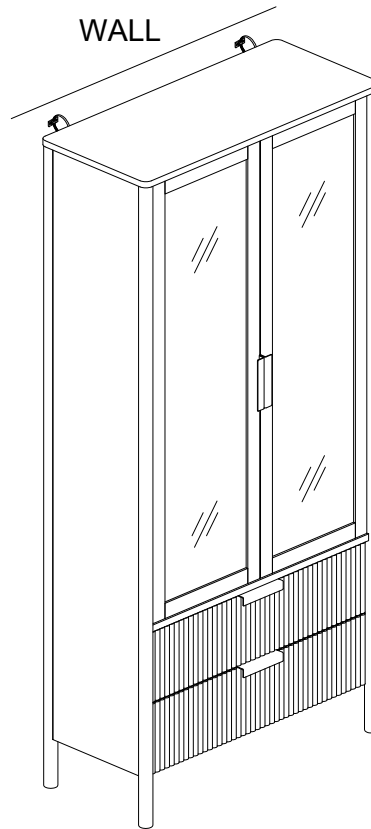
3



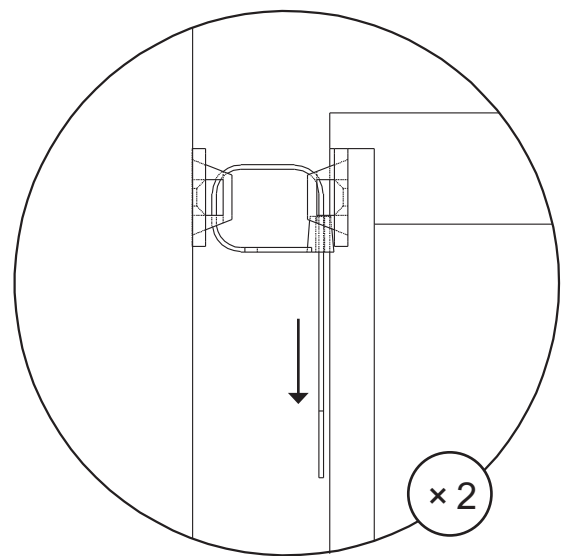
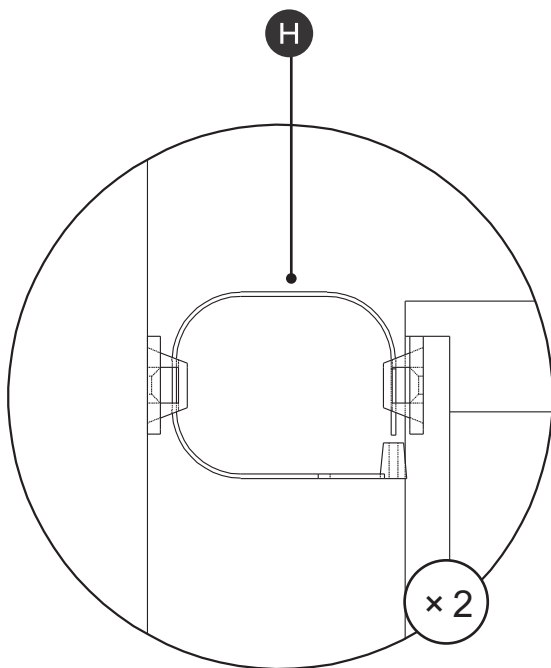
Drill holes in wall using 8mm / 5/16" drill bit.

4A

Align brackets on unit
with brackets on wall.



4B



Pull strap down until it snap-locks.