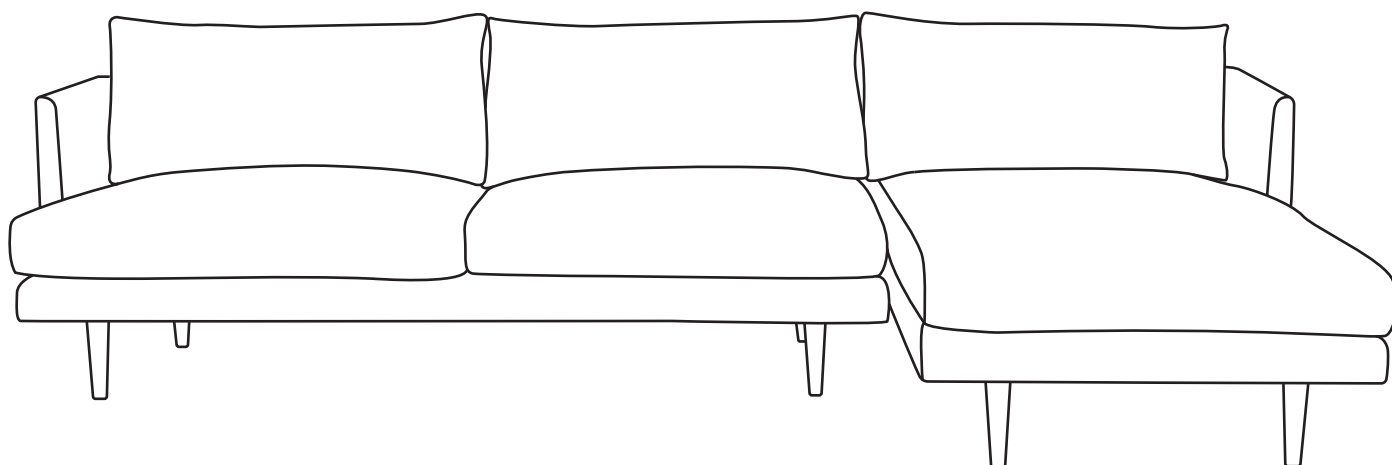


ARTICLE.

VERSION 1.2

Assembly Instructions



BURRARD

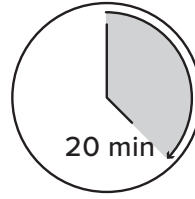
Right Sectional Sofa

ASSEMBLY INSTRUCTIONS

Read these instructions carefully and keep for future reference. Refer to parts inventory for guidance, and ensure you have all pieces before starting.

When assembling, place all parts on a soft, clean, and flat surface such as a carpet to prevent scratches.

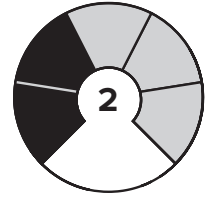
If you're having difficulty, our friendly Customer Care team is always here to help. Call us at **1.888.746.3455** during business hours, email service@article.com or chat live at article.com.



TIME



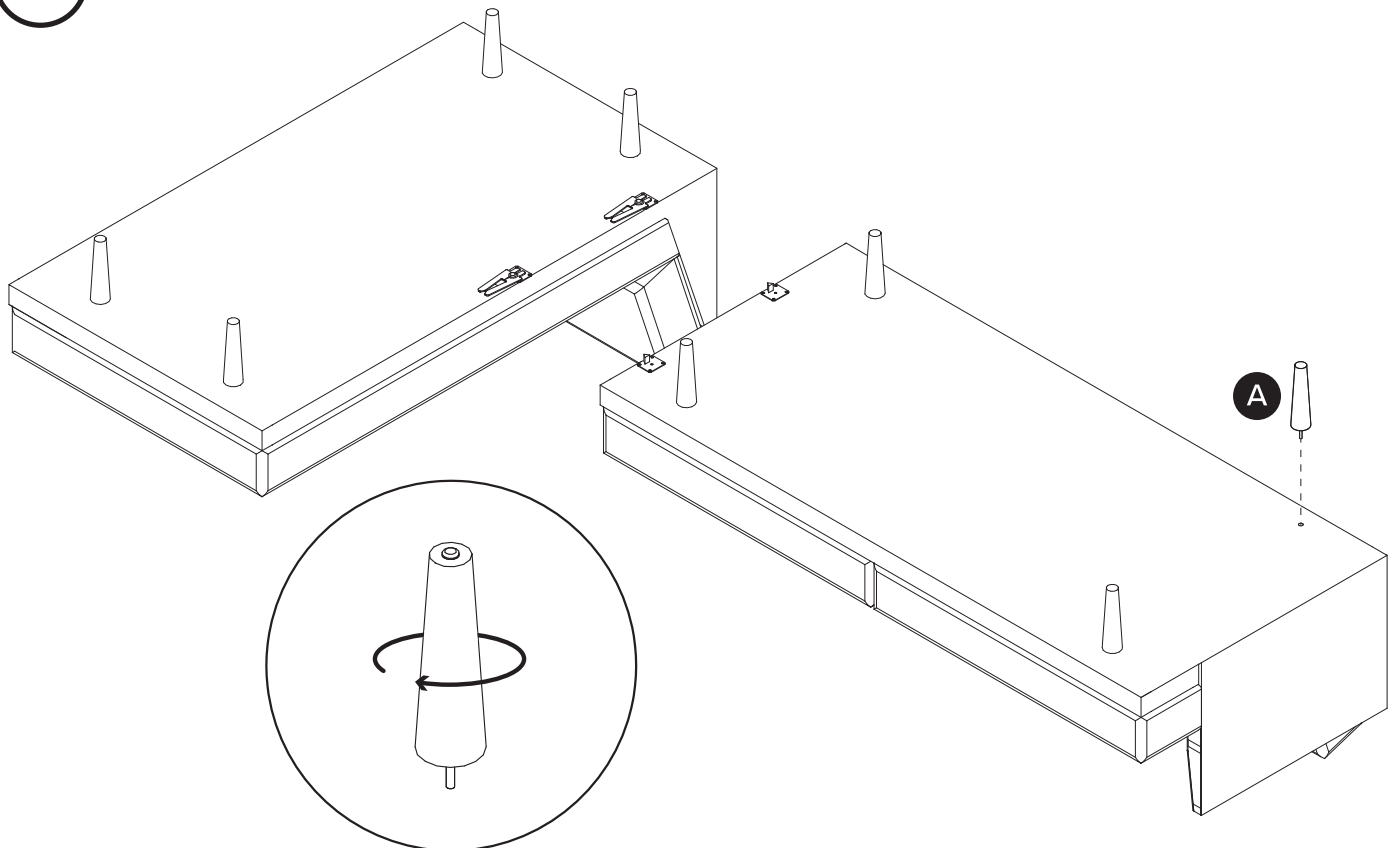
OF PEOPLE



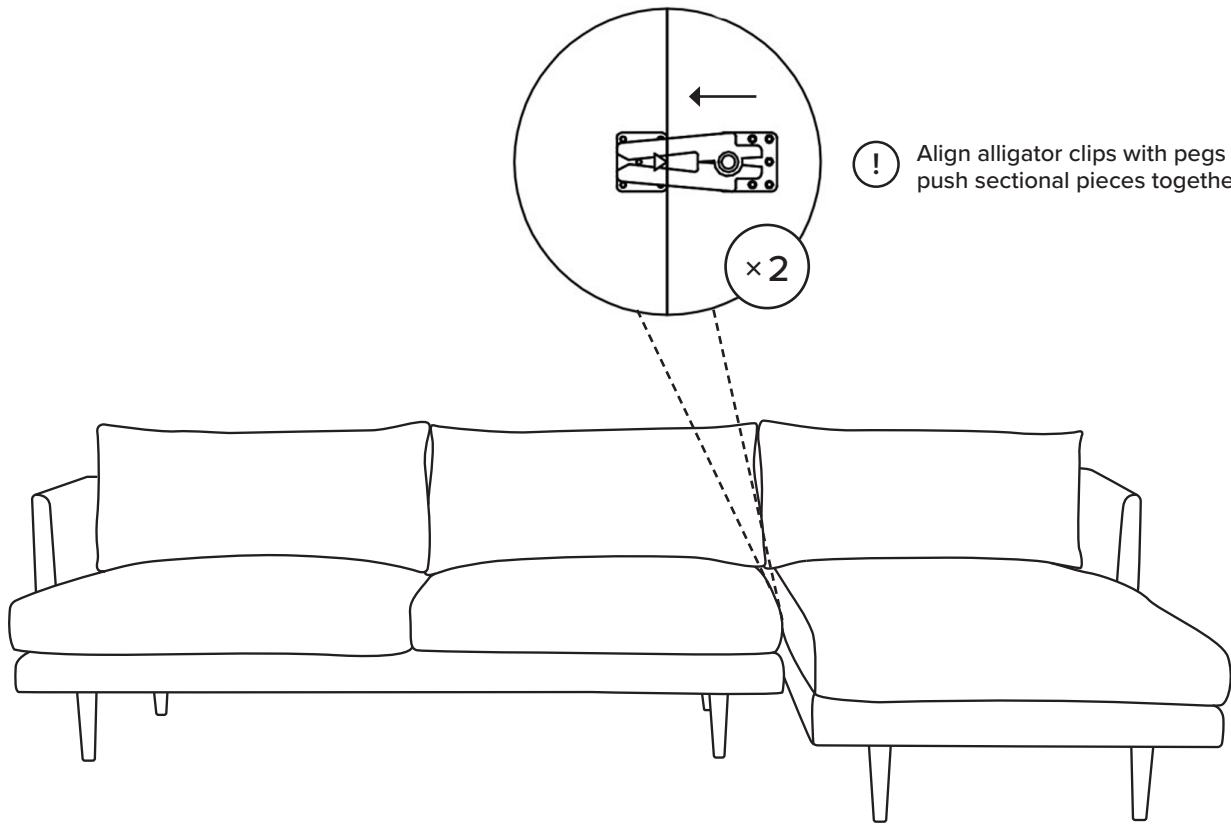
DIFFICULTY

PARTS INVENTORY		
ID	DESCRIPTION	QTY
A	LEGS	8

1



2



! Align alligator clips with pegs and push sectional pieces together firmly.

! To separate sections, lift section with pegs straight up and out of the teeth of the clips.