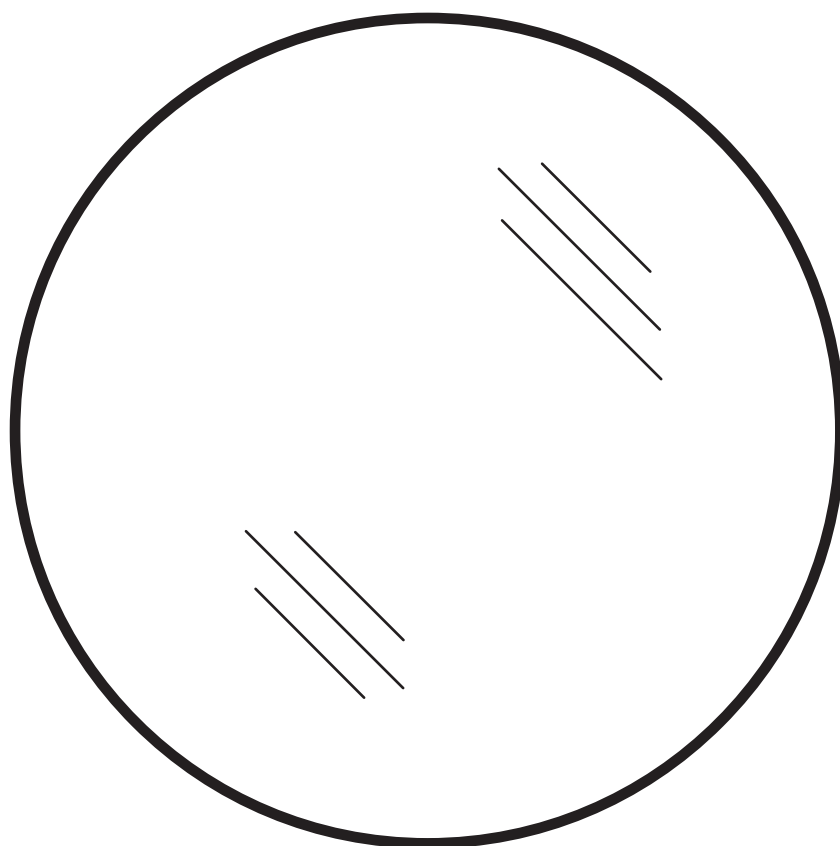


ARTICLE.

VERSION 1.0

Assembly Instructions



MANSFIELD

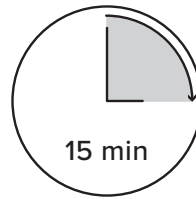
Round Wall Mirror

ASSEMBLY INSTRUCTIONS

Read these instructions carefully and keep for future reference. Refer to parts inventory for guidance, and ensure you have all pieces before starting.

When assembling, place all parts on a soft, clean, and flat surface such as a carpet to prevent scratches.

If you're having difficulty, our friendly Customer Care team is always here to help. Call us at **1.888.746.3455** during business hours, email service@article.com or chat live at [article.com](https://www.article.com).

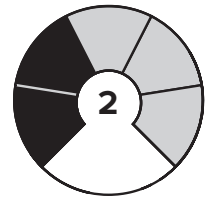


15 min

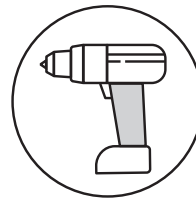
TIME



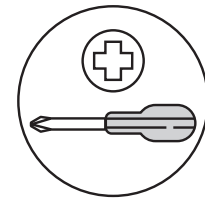
OF PEOPLE




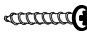
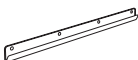
DIFFICULTY



REQUIRED TOOL
8MM / 5/16" DRILL BIT



REQUIRED TOOL

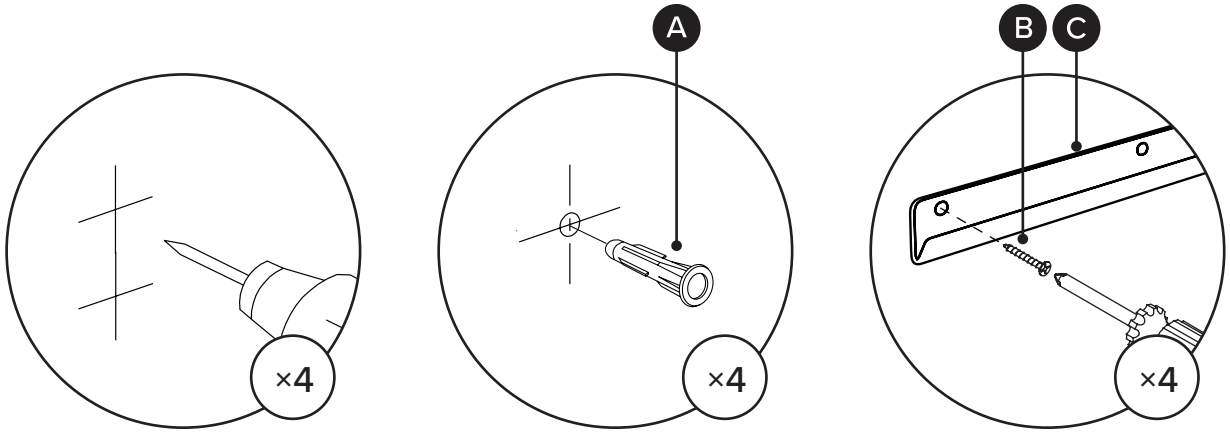
PARTS INVENTORY		
ID	DESCRIPTION	QTY
A	PLASTIC WALL ANCHOR M8 x 38MM 	4+1
B	M4 x 38MM SCREW 	4+1
C	WALL MOUNT PLATE 	1



To attach this unit to a wall please consult an expert or your local hardware store.

1

Drill holes in wall using
8mm / 5/16" drill bit.



2

! Hang the mirror on the wall mount plate.
Ensure that mirror can not slide left or right.

