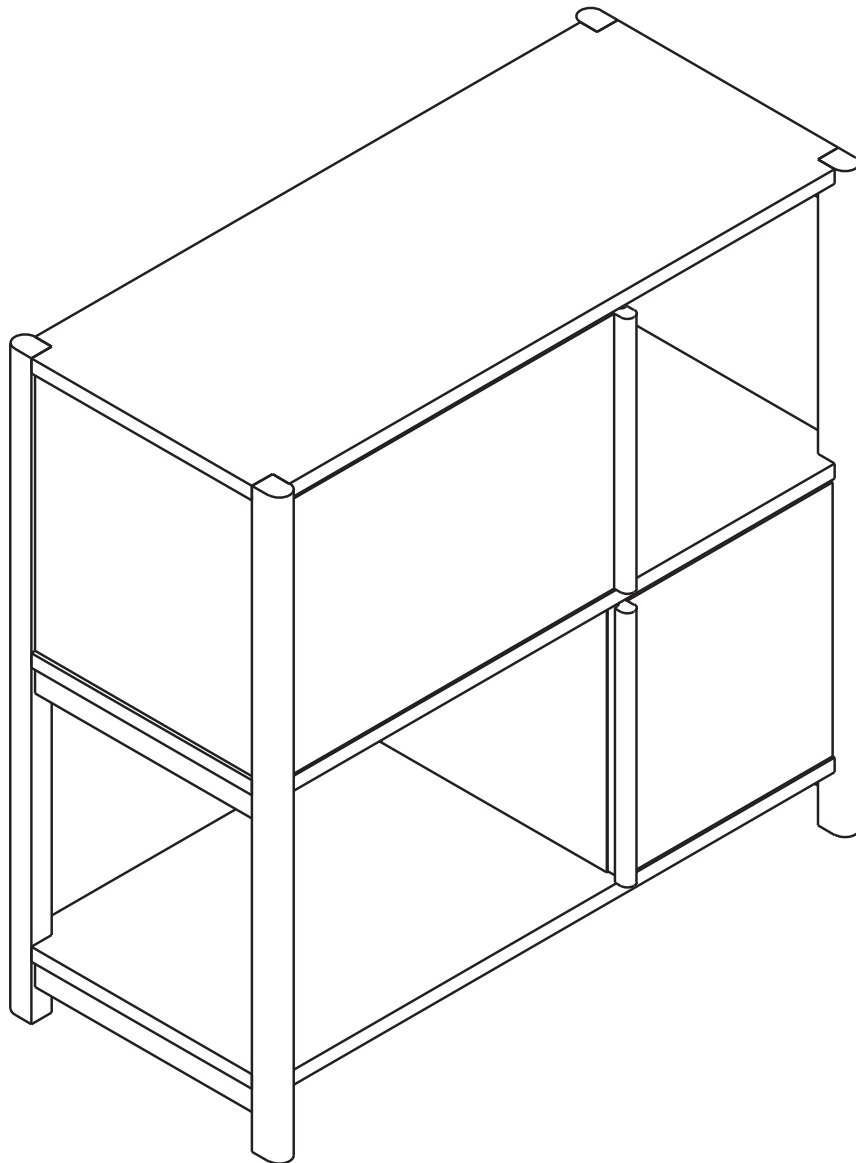


ARTICLE.

VERSION 1.4

Assembly Instructions



MYSEN

33.5 " Cabinet

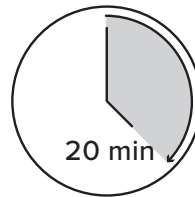


ANTI-TIP RESTRAINT INSTALLATION

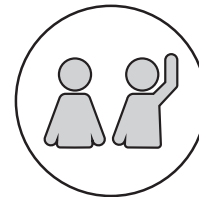
WARNING!

Children have died from furniture tipover.
To reduce the risk of furniture tipover:

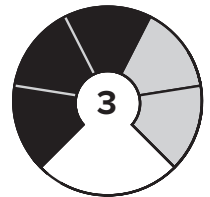
- ALWAYS install tipover restraint provided.
- NEVER put a TV on this product.
- NEVER allow children to stand, climb or hang on drawers, doors, or shelves.
- NEVER open more than one drawer at a time.
- Place heaviest items in the lower drawers.



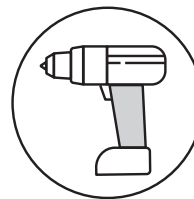
TIME



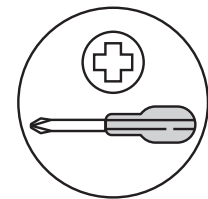
OF PEOPLE



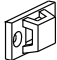

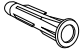


DIFFICULTY



REQUIRED TOOL
8MM / 5/16" DRILL BIT



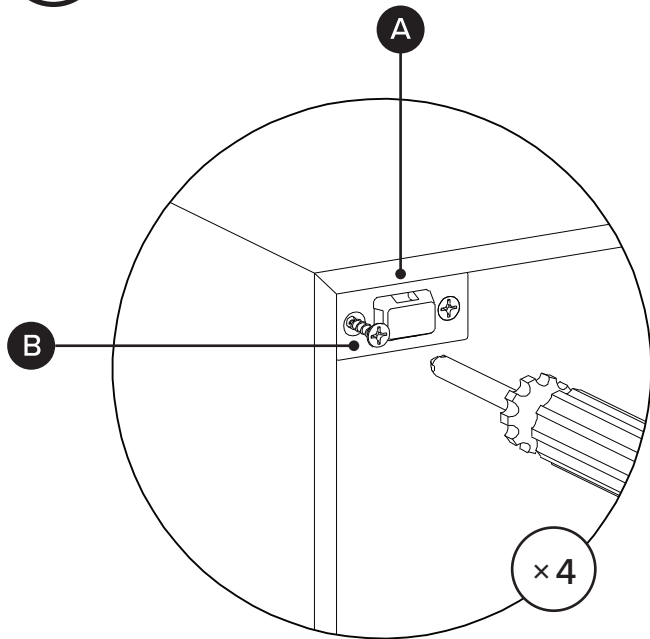
REQUIRED TOOL

PARTS INVENTORY		
ID	DESCRIPTION	QTY
A	BRACKET 	4
B	M4 × 20MM SCREW 	4
C	M8 × 51MM PLUG 	4
D	M6 × 70MM SCREW 	4
E	STRAP 	2



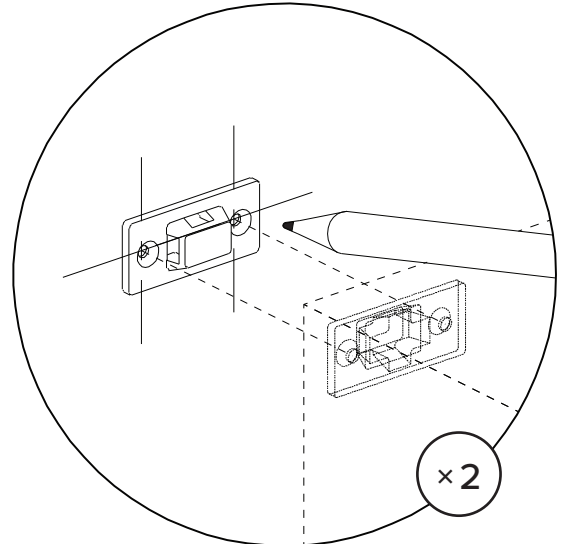
Hardware (C/D) to attach brackets to wall is designed for drywall. To attach this unit to another type of wall, consult with your local hardware store.

1



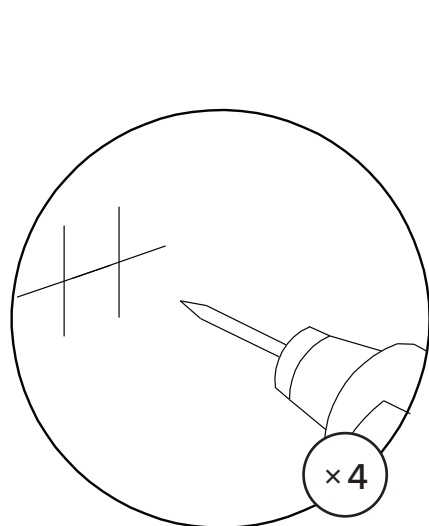
Attach pair of brackets to top corners of the back of the unit. Note there are no existing pilot holes on the product.

2

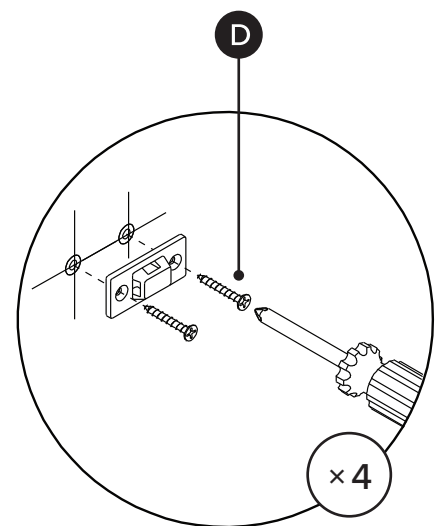
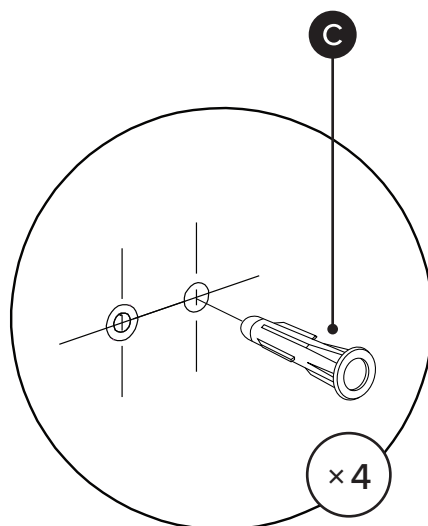


Mark on wall where second pair of brackets should be placed.

3

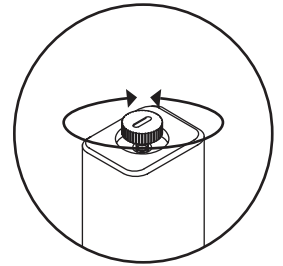
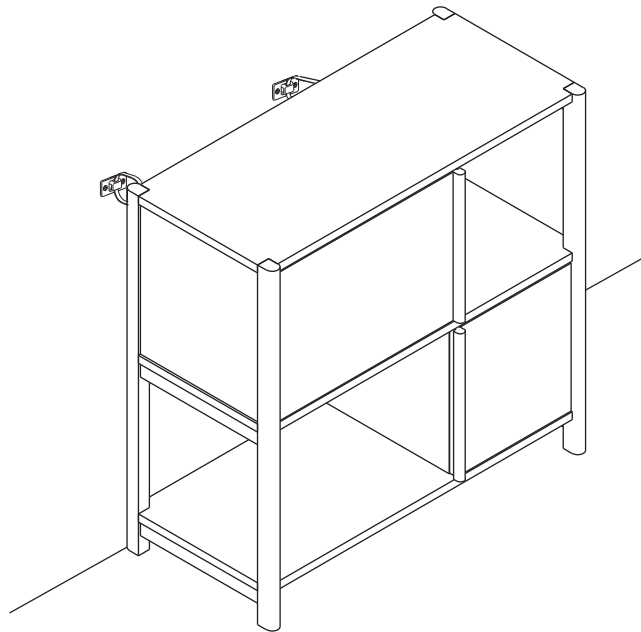


Drill holes in wall using 8mm / 5/16" drill bit.



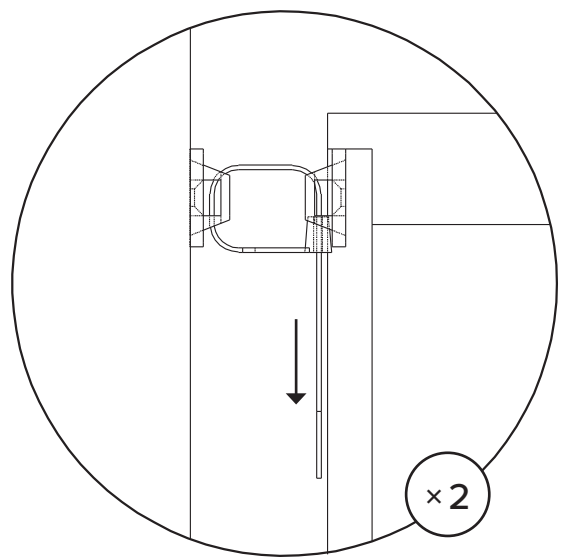
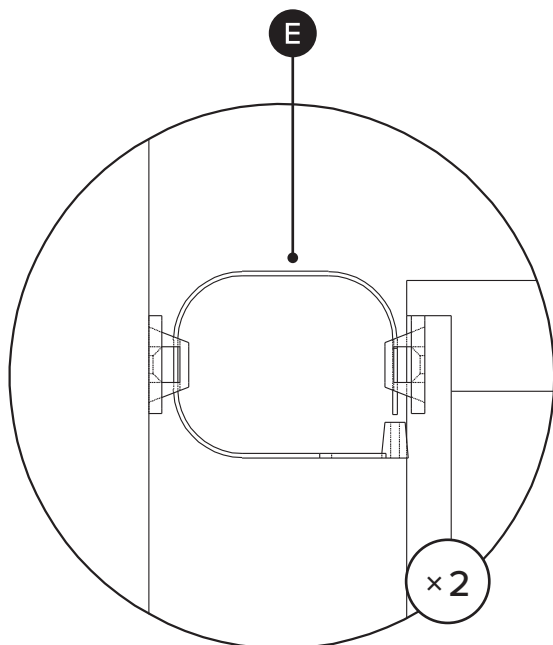
4A

Align brackets on unit
with brackets on wall.



! Adjust levelers
as needed.

4B

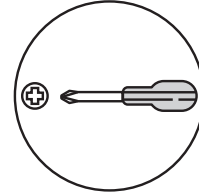


Pull strap down until it snap-locks.

DOOR ADJUSTMENT INSTRUCTIONS



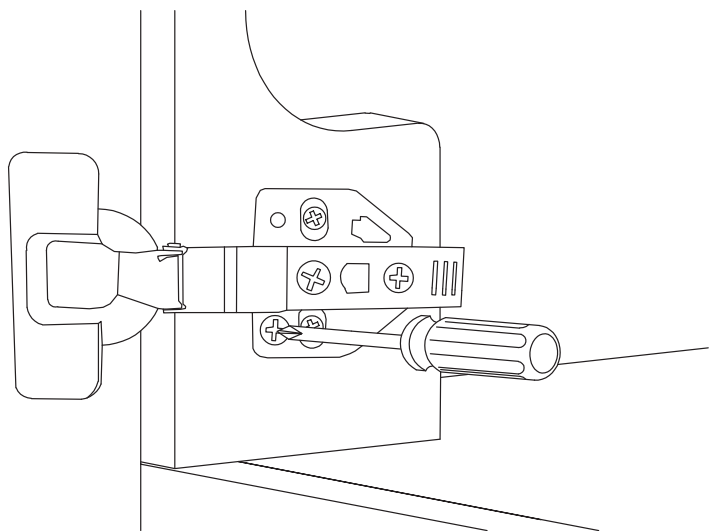
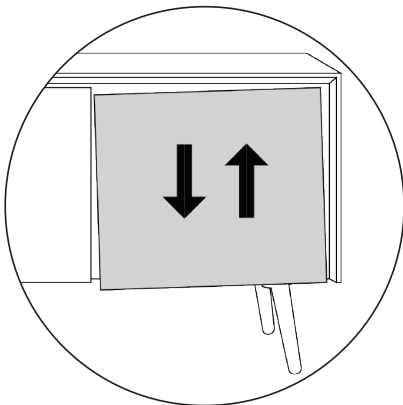
During shipping, the doors of your cabinet may have shifted slightly. This can easily be corrected by tightening a few screws. Always start by adjusting the top hinge on the affected door.



REQUIRED TOOL

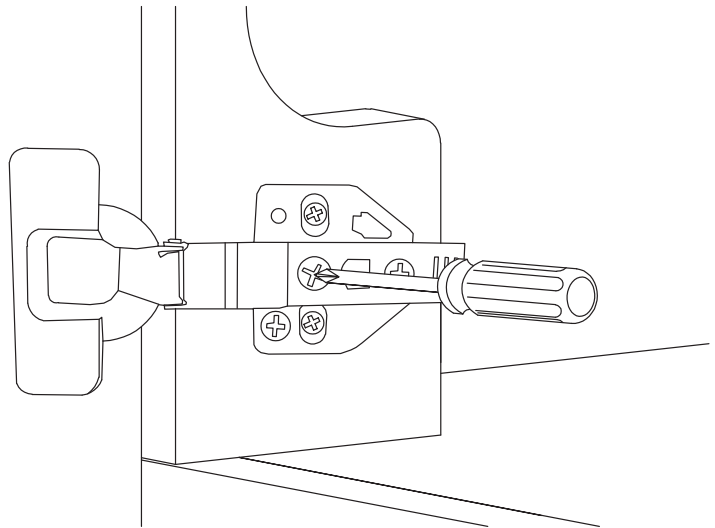
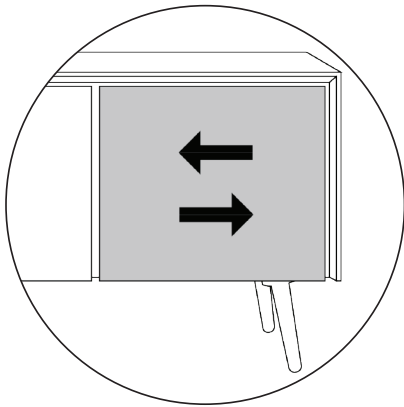
1A

If the door is crooked, adjust hinge(s) up or down:



1B

If the door needs adjustment side to side:



1C

If the door needs adjustment forward or backward:

