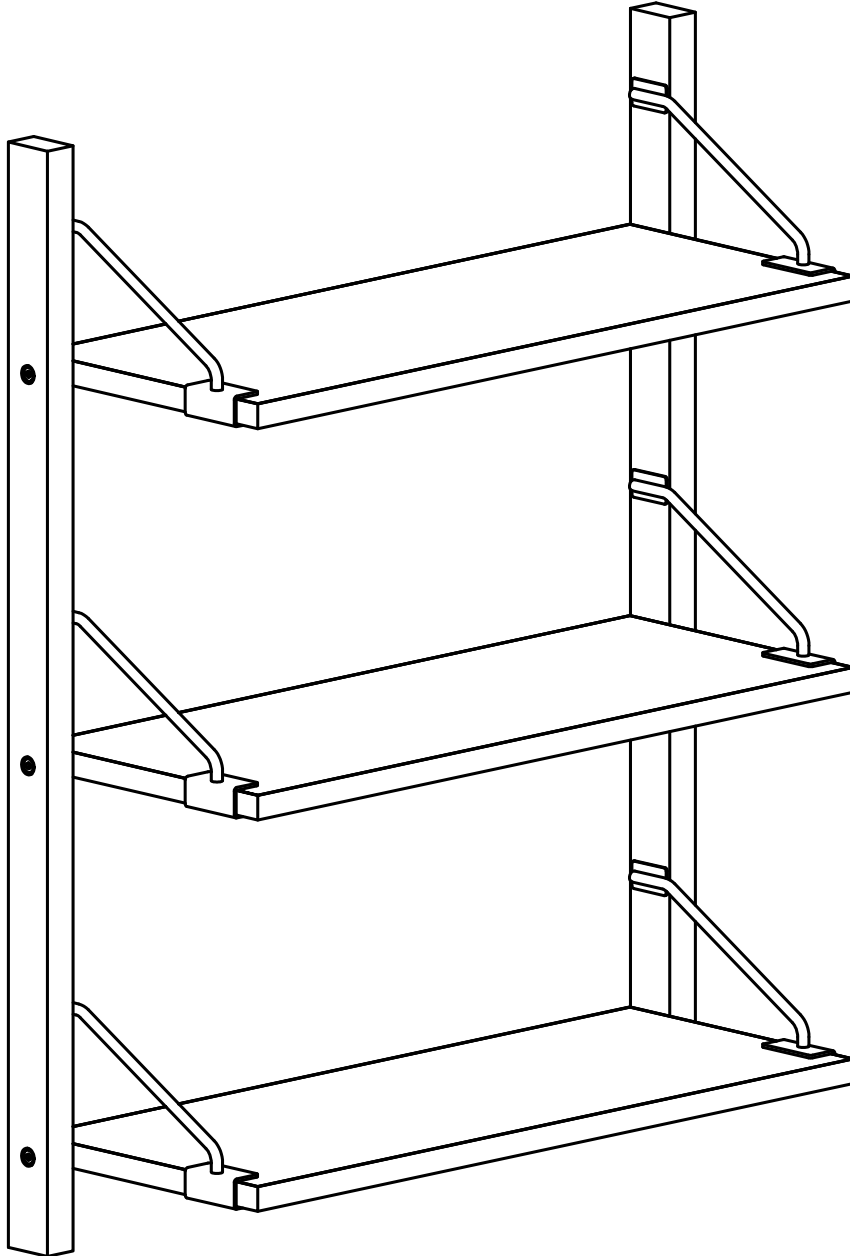


ARTICLE.

VERSION 2

Assembly Instructions



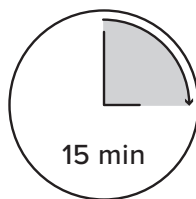
Stark 25" Narrow 3 Tier Shelf

ASSEMBLY INSTRUCTIONS

Read these instructions carefully and keep for future reference. Refer to parts inventory for guidance, and ensure you have all pieces before starting.

When assembling, place all parts on a soft, clean, and flat surface such as a carpet to prevent scratches.

If you're having difficulty, our friendly Customer Care team is always here to help. Call us at **1.888.746.3455** during business hours, email service@article.com or chat live at article.com.



15 min

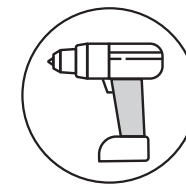
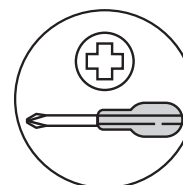
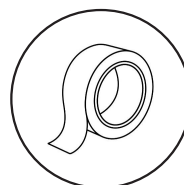
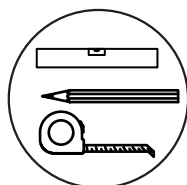
TIME



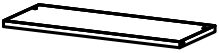

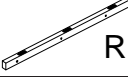


OF PEOPLE


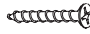






DIFFICULTY



REQUIRED TOOL

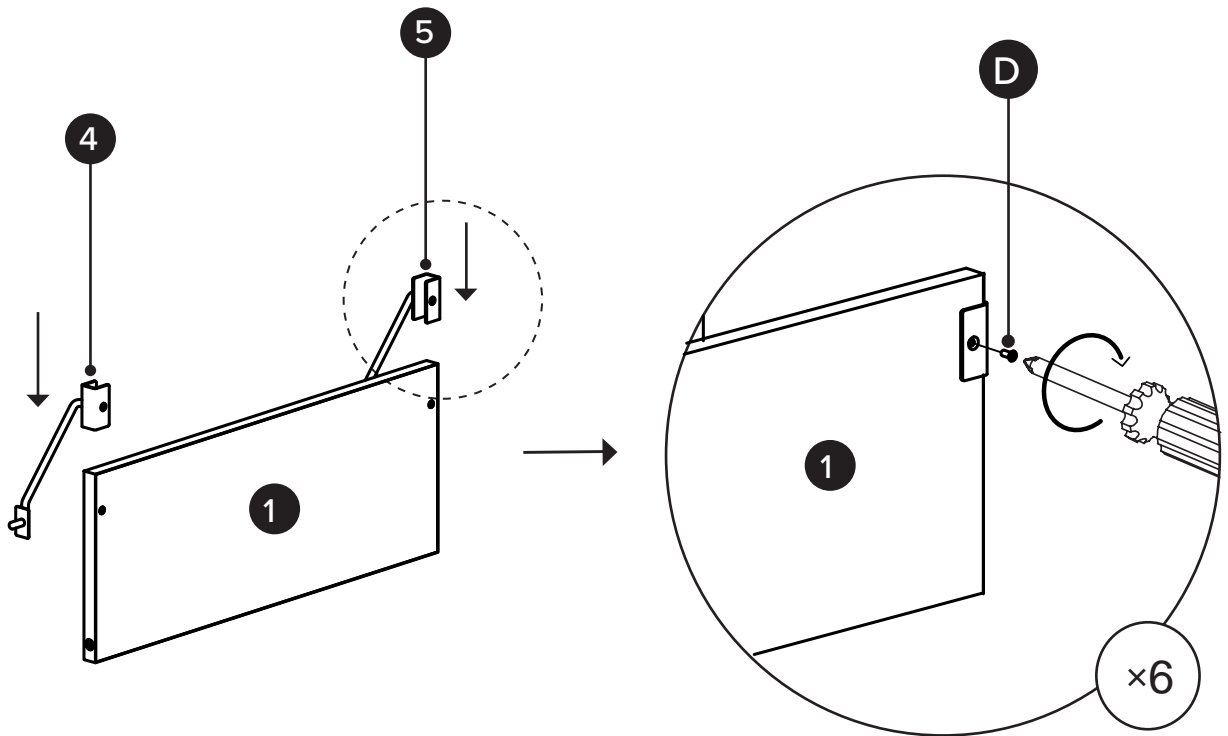
| PARTS INVENTORY | | | |
|-----------------|-------------------------------|---|-----|
| ID | DESCRIPTION | | QTY |
| 1 | SHELF 18 x 228 x 584 |  | 3 |
| 2 | LEFT WALL MOUNT SUPPORT RAIL |  L | 1 |
| 3 | RIGHT WALL MOUNT SUPPORT RAIL |  R | 1 |
| 4 | LEFT SHELF BRACKET |  | 3 |
| 5 | RIGHT SHELF BRACKET |  | 3 |

| HARDWARE LIST | | | |
|---------------|-----------------------------------|---|-----|
| ID | DESCRIPTION | | QTY |
| A | PLASTIC WALL ANCHOR M8 x 38 MM |  | 6 |
| B | M4 x 38MM SCREW |  | 6 |
| C | BOLTS M6 x 35 MM |  | 6 |
| D | BOLTS M4 x 10 MM |  | 6+1 |
| E | ALLEN KEY |  | 1 |
| F | PAPER JIG |  | 1 |

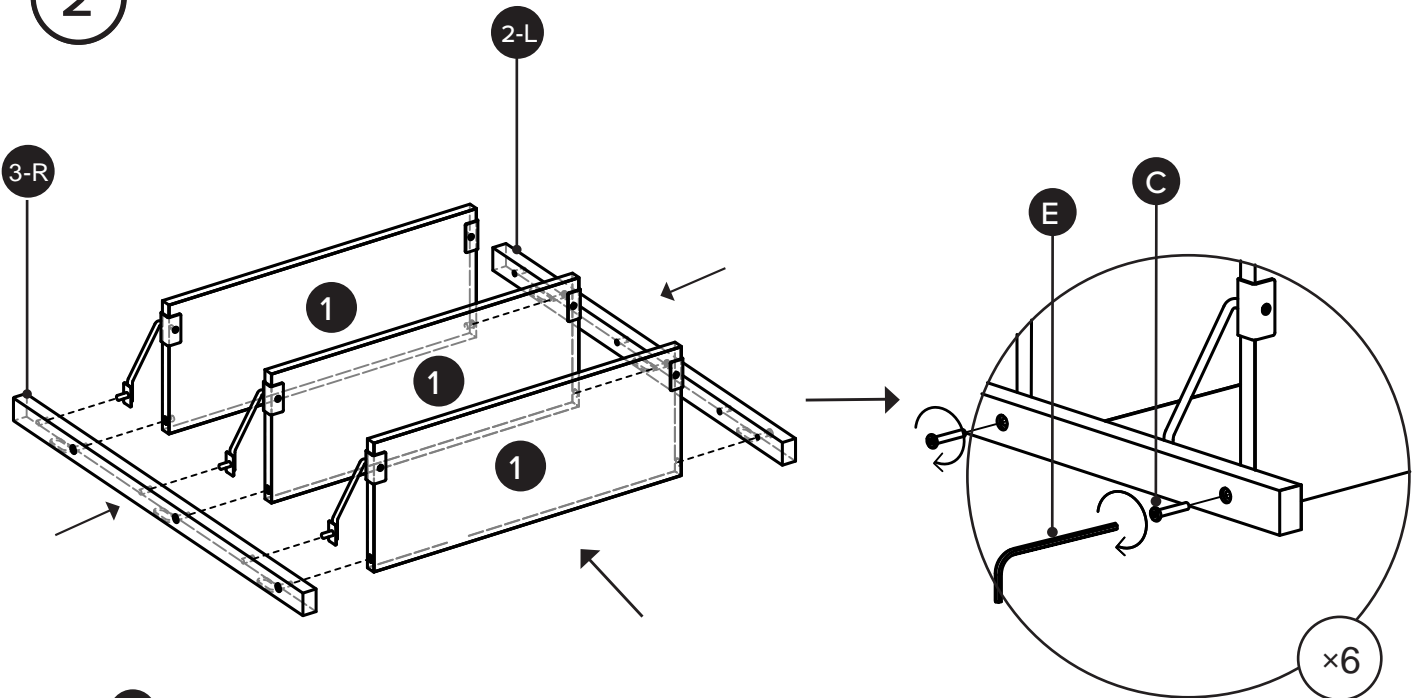


To attach this unit to a wall please consult an expert or your local hardware store.

1



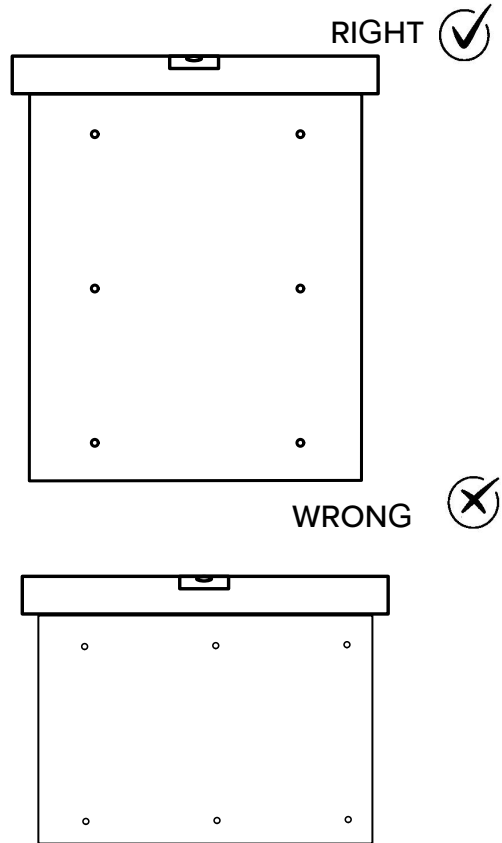
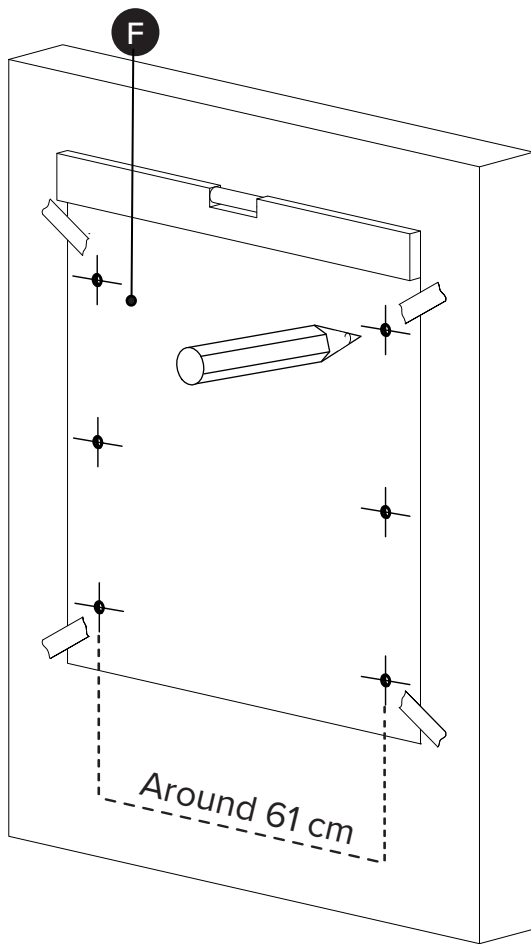
2



! Only tighten bolts when all the shelves are attached to the wall mount support rails.

3

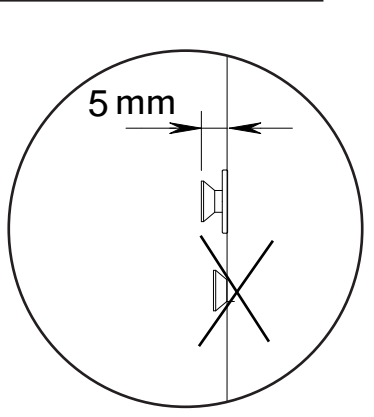
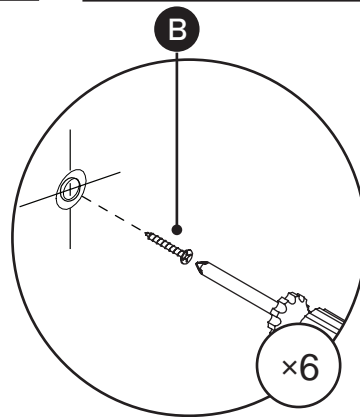
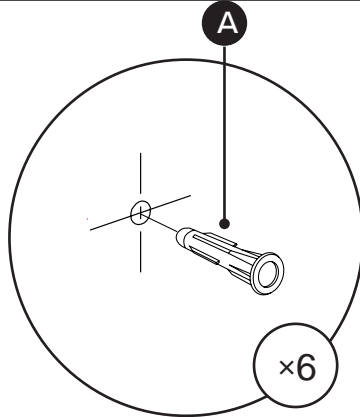
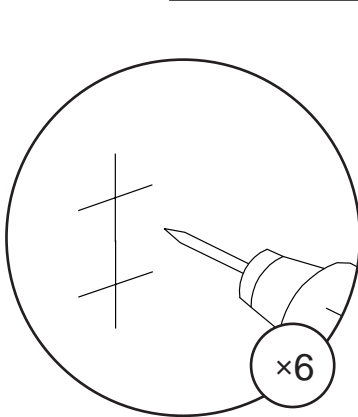
Use a paper jig and water level to mark the spots for drilling holes on the wall.
Distance between the holes is around 61cm (Measure the hole distance to be more precise)



4

! Drill hole into wall, insert anchor (A) and attach screw (B) to wall.

! Stud mounting is recommended. Use proper hardware for your wall type. When in doubt, consult your local hardware store.



HOLE
Drill hole in wall with drill bit 8mm

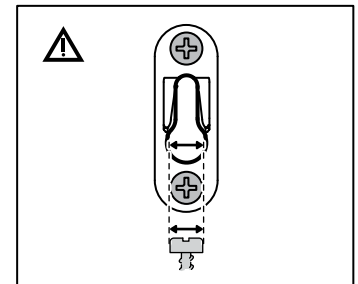
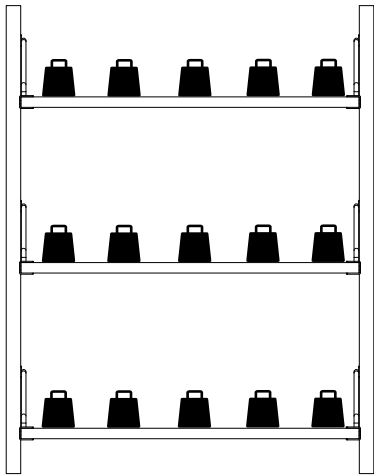
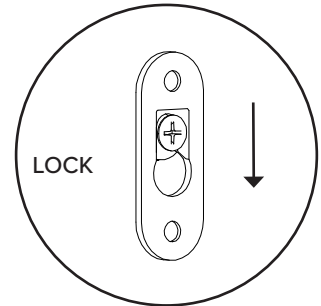
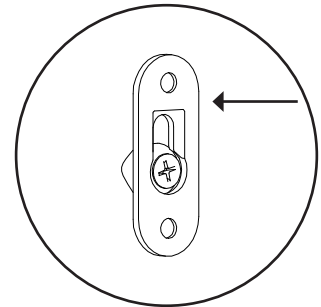
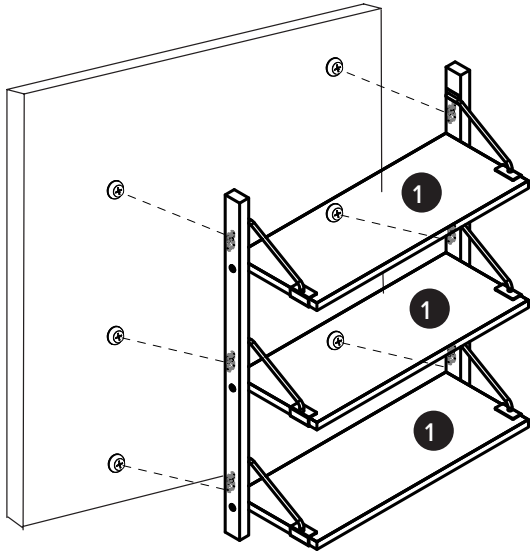
! Note for this step use a hammer to insert anchor (A) to wall.

ANCHOR

SCREW M4 x 38mm

5

! Hang the shelf on the wall. Ensure that shelf can not slide left or right.



Attention: Maximum load on each shelf is 44lbs

