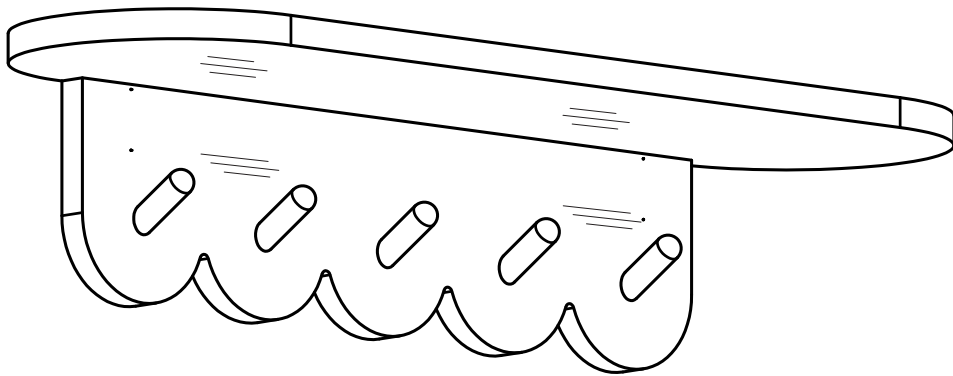


ARTICLE.

VERSION 3

Assembly Instructions



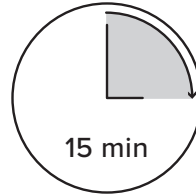
Shelly 24.5" Shelf and Coat Rack

ASSEMBLY INSTRUCTIONS

Read these instructions carefully and keep for future reference. Refer to parts inventory for guidance, and ensure you have all pieces before starting.

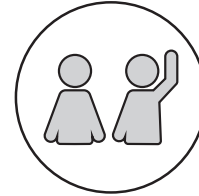
When assembling, place all parts on a soft, clean, and flat surface such as a carpet to prevent scratches.

If you're having difficulty, our friendly Customer Care team is always here to help. Call us at **1.888.746.3455** during business hours, email service@article.com or chat live at article.com.

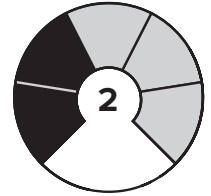


15 min

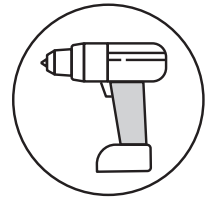
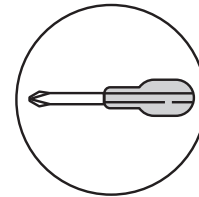
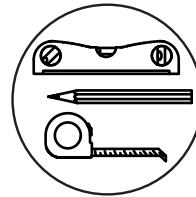
TIME



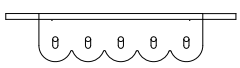
OF PEOPLE




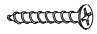

DIFFICULTY

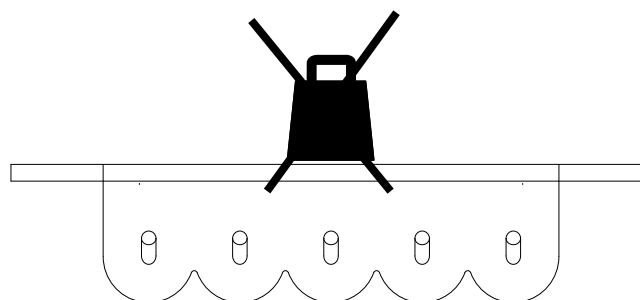
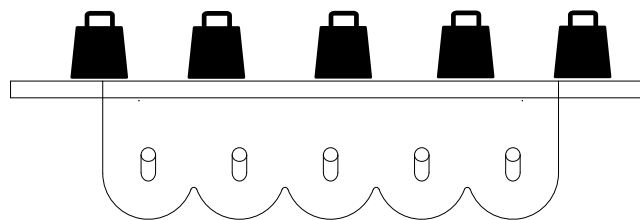


REQUIRED TOOL

PARTS INVENTORY		
ID	DESCRIPTION	QTY
1	Shelly Narrow Shelf 	1

! To attach this unit to a wall please consult an expert or your local hardware store.

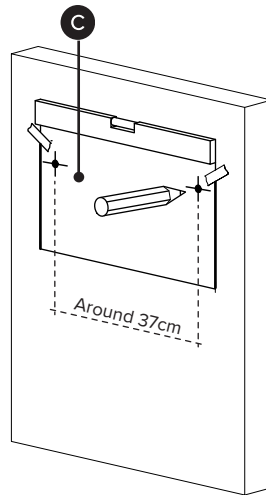
HARDWARE LIST		
ID	DESCRIPTION	QTY
A	PLASTIC WALL ANCHOR M8 x 38 MM 	2
B	M4 x 38MM SCREW 	2
C	PAPER JIG 	1



! Attention: Maximum load on this shelf is 44 lbs

1

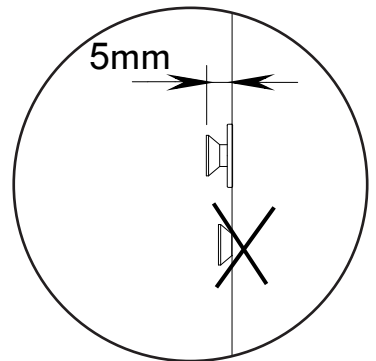
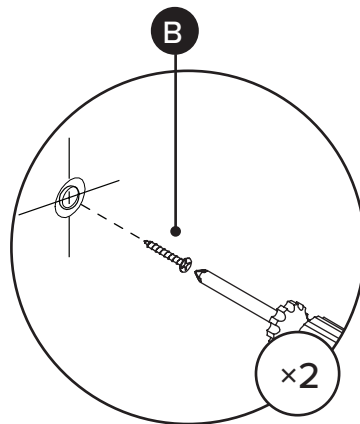
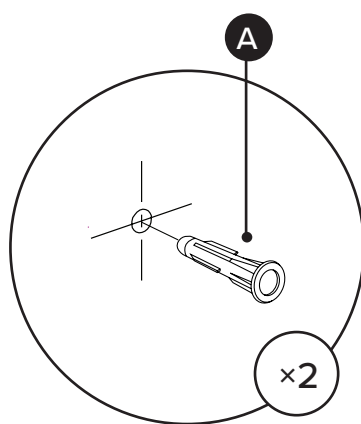
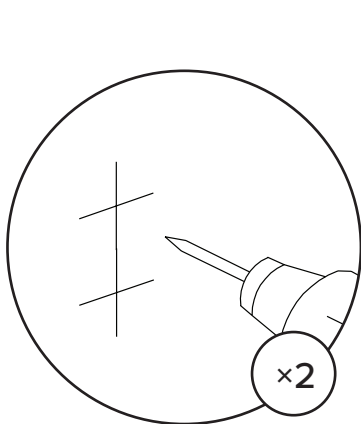
Use a paper jig and water level to mark the spots for drilling holes on the wall.
Distance between the holes is around 37cm (Measure the hole distance to be more precise)



2

! Drill hole into wall, insert anchor (A) and attach screw (B) to wall.

! Stud mounting is recommended. Use proper hardware for your wall type. When in doubt, consult your local hardware store.



HOLE

Drill hole in wall with drill bit 8mm

ANCHOR

! Note for this step use a hammer to insert anchor (A) to wall.

SCREW M4x38mm

3

! Hang the shelf on the wall. Ensure that shelf can not slide left or right.

