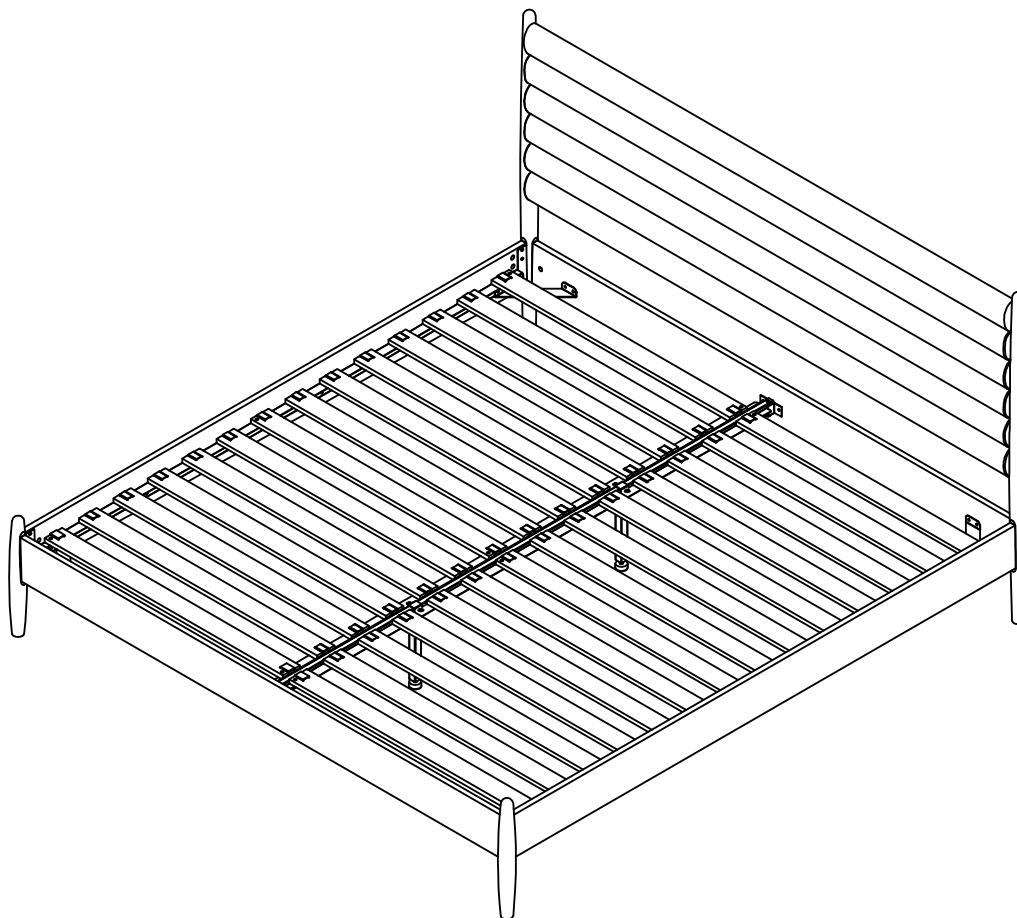


ARTICLE.

VERSION 1.0

Assembly Instructions



LENIA

King Upholstered Bed

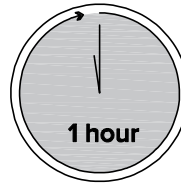
ASSEMBLY INSTRUCTIONS

Read these instructions carefully and keep for future reference. Refer to parts inventory for guidance, and ensure you have all pieces before starting.

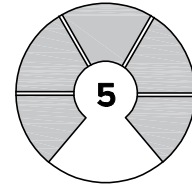
When assembling, place all parts on a soft, clean, and flat surface such as a carpet to prevent scratches.

If you're having difficulty, our friendly Customer Care team is always here to help. Call us at **1.888.746.3455** during business hours, email **service@article.com** or chat live at **article.com**.

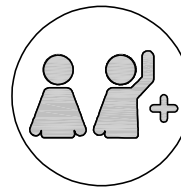
1 Structural integrity is warranted only if all fasteners are properly installed & tightened, and the bed is moved only per instructions.



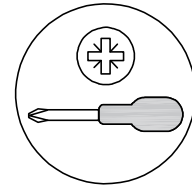
TIME



DIFFICULTY



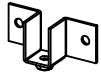

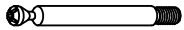



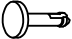
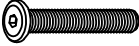
OF PEOPLE



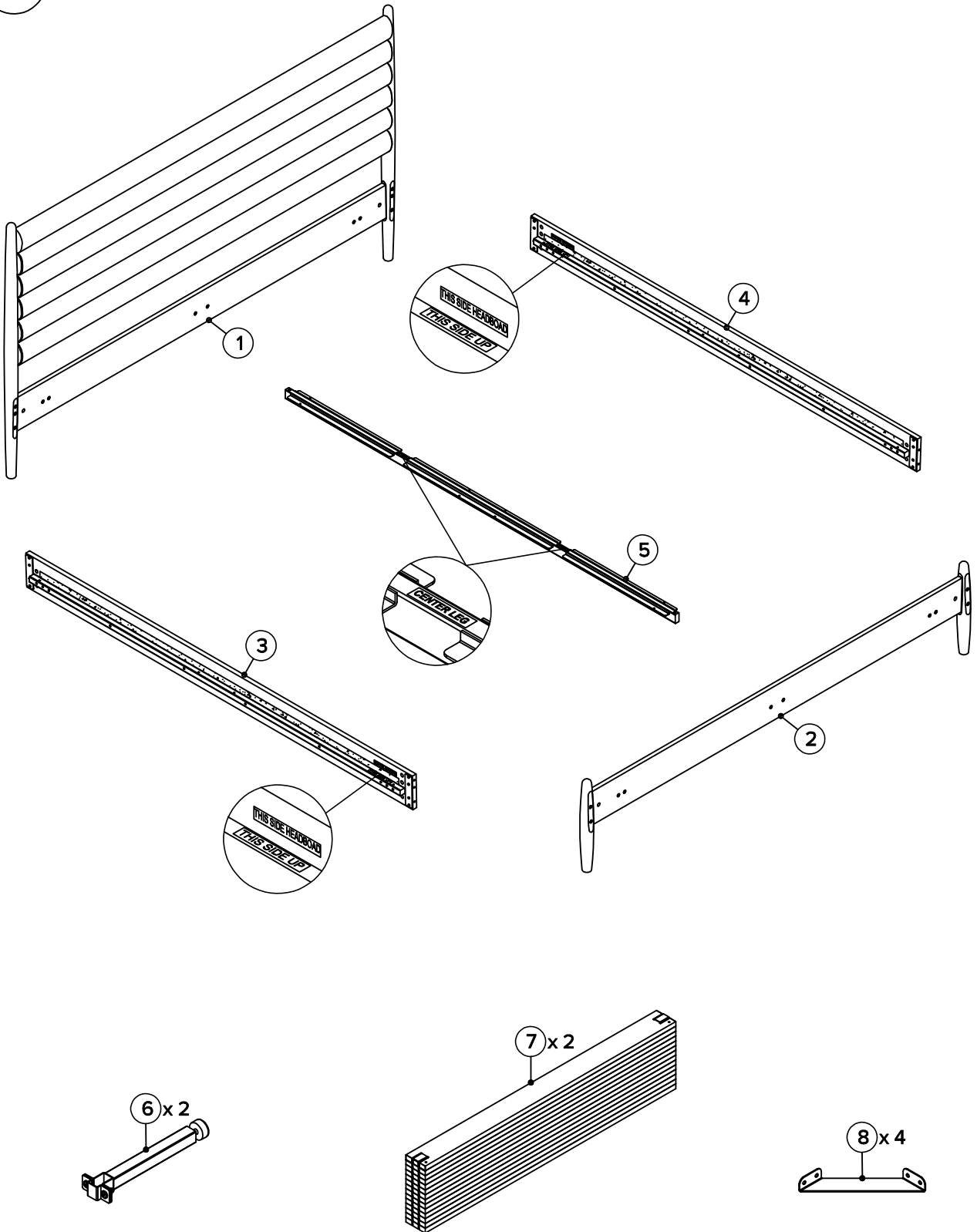
REQUIRED TOOL

Pozidriv screwdriver

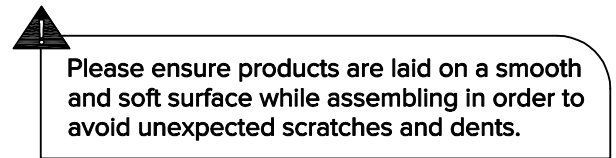
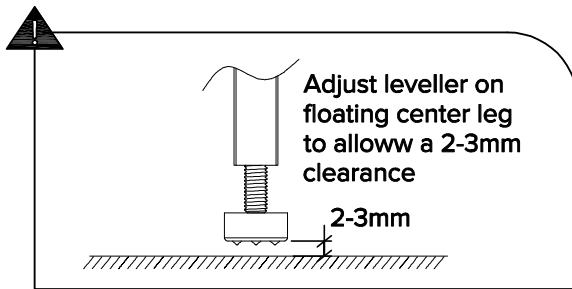
PARTS INVENTORY		
ID	DESCRIPTION	QTY
①	HEADBOARD	1
②	FOOTBOARD	1
③	LEFT SIDE RAIL	1
④	RIGHT SIDE RAIL	1
⑤	CENTER BEAM	1
⑥	CENTER BEAM LEG	2
⑦	SLATS	2
⑧	CORNER BRACKET	4

PARTS INVENTORY CONT.		
ID	DESCRIPTION	QTY
Ⓐ	CENTER BEAM BRACKET 	2
Ⓑ	M6 x 12MM BOLT 	20
Ⓒ	COMPRESSION FITTING ANCHOR 	10
Ⓓ	M8 x 8MM SCREW 	10
Ⓔ	ALLEN KEY 	1
Ⓕ	FELT STICKER 	4
Ⓖ	PLUG 	12
Ⓗ	M8 x 50MM BOLT 	2

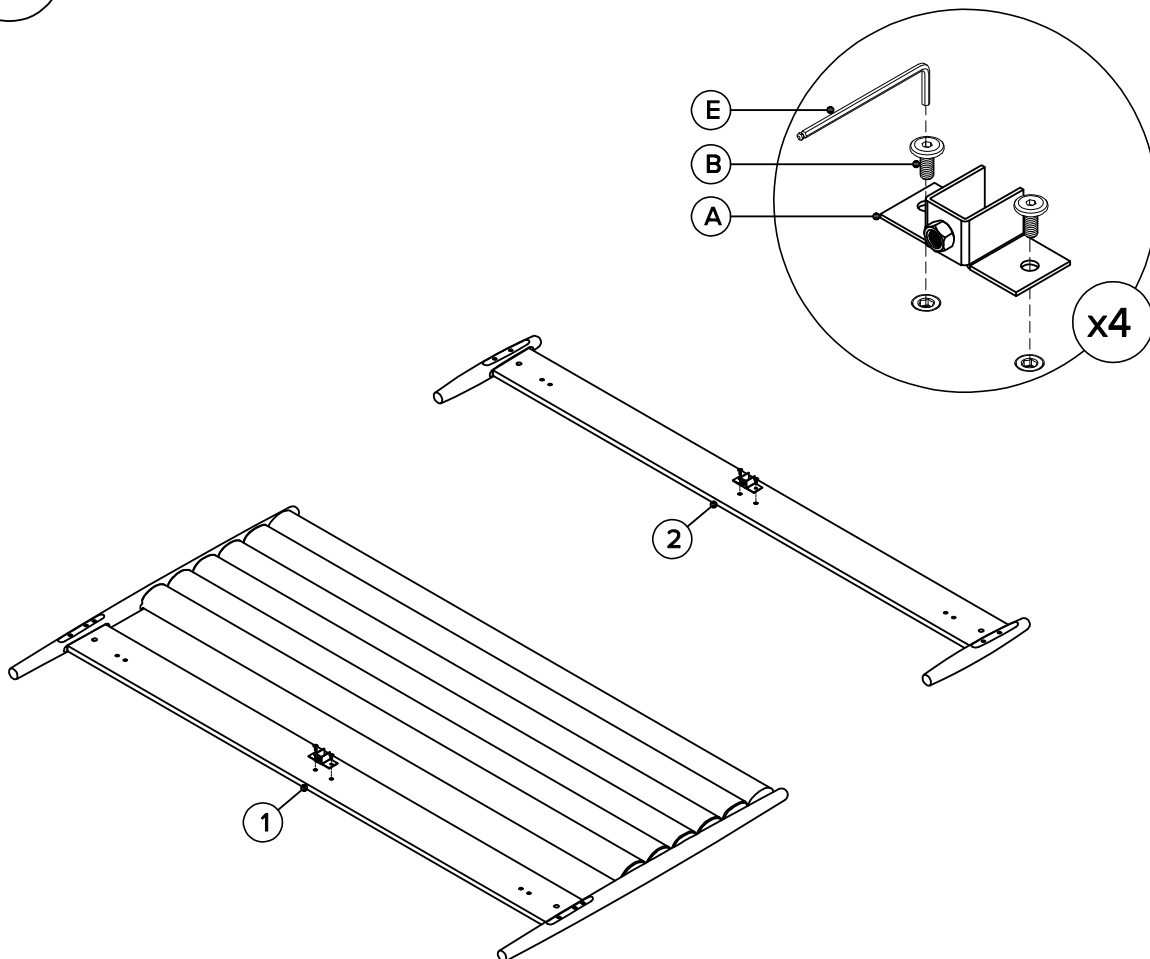
i



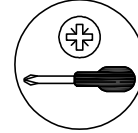
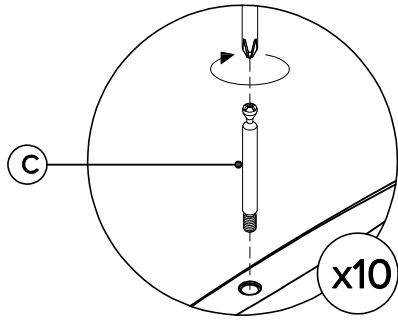
i



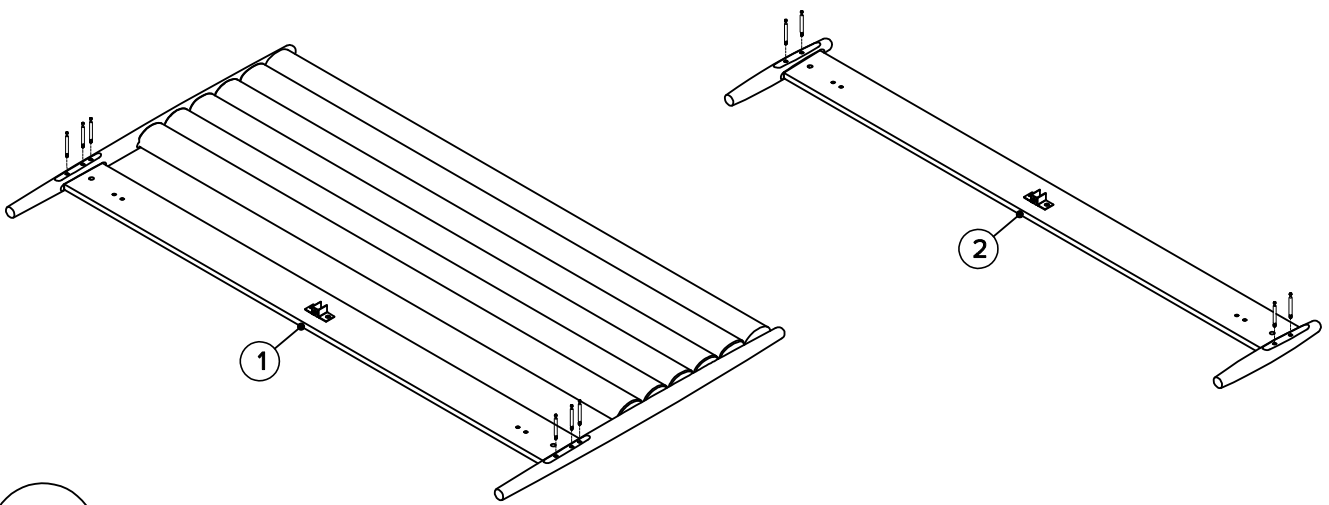
1A



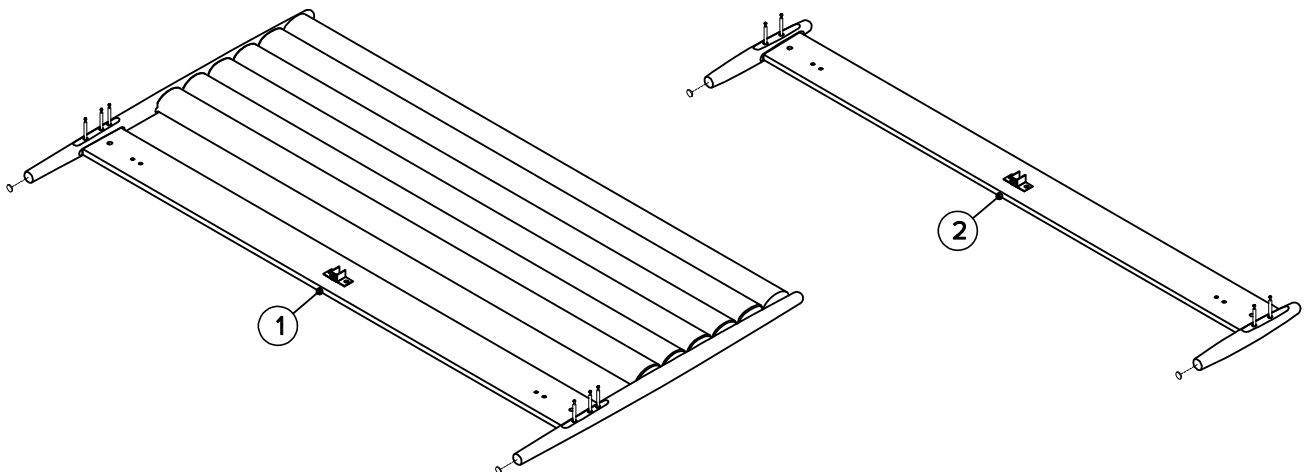
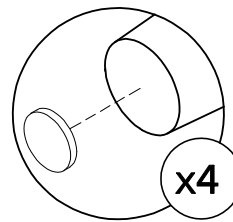
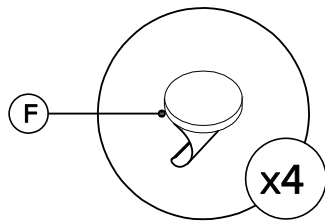
1B



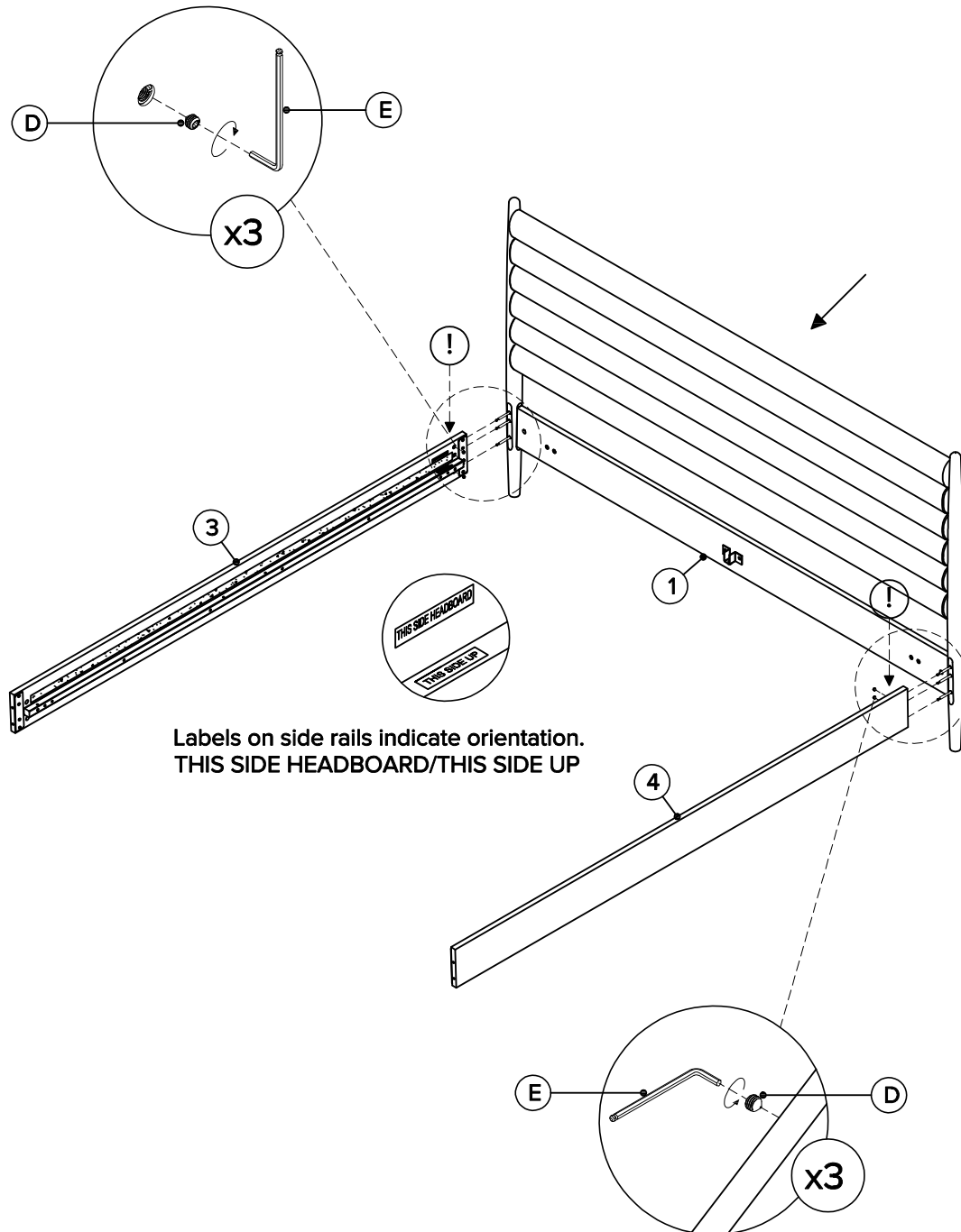
! NOT using power tool, only using the recommended hand tools



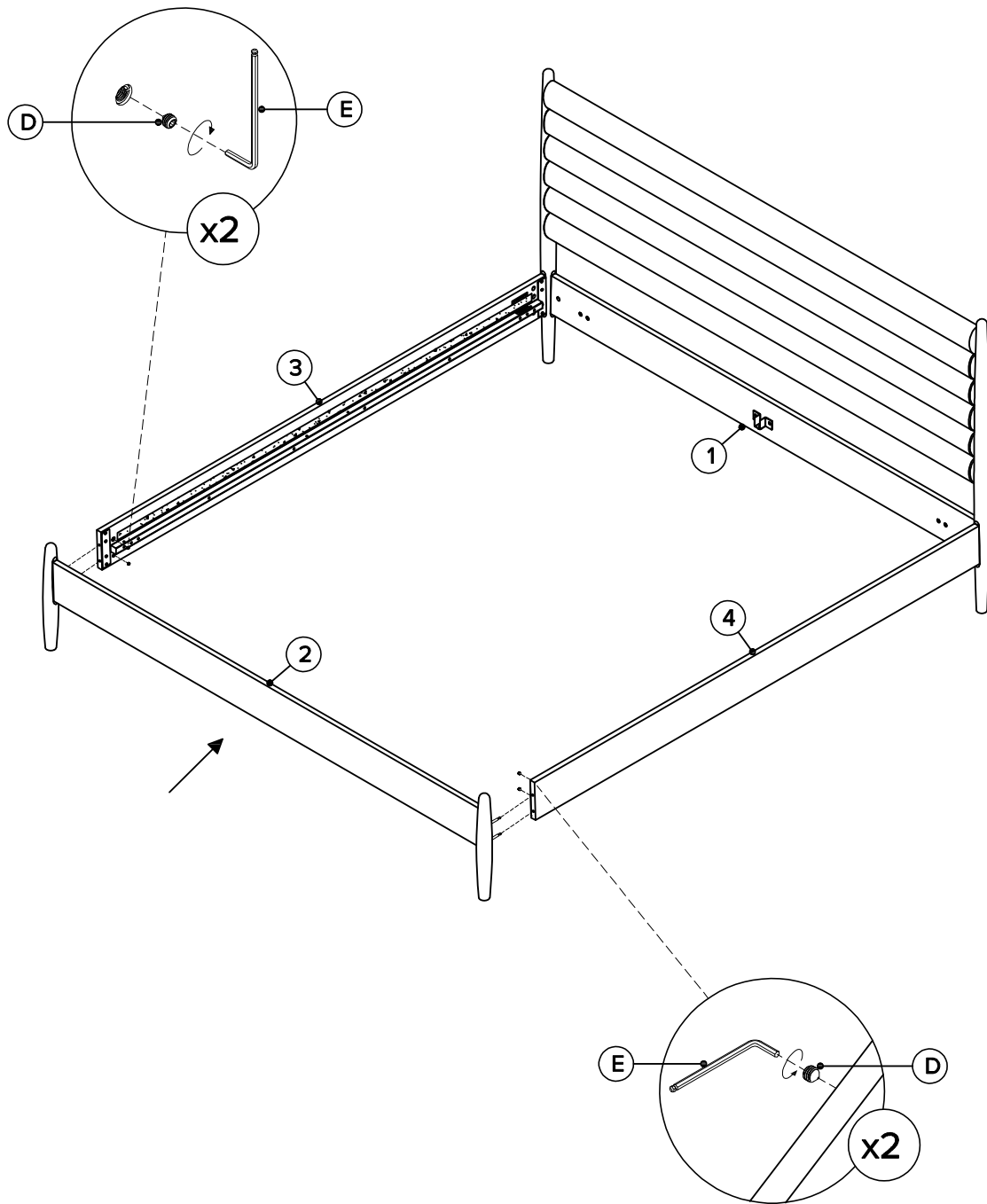
1C



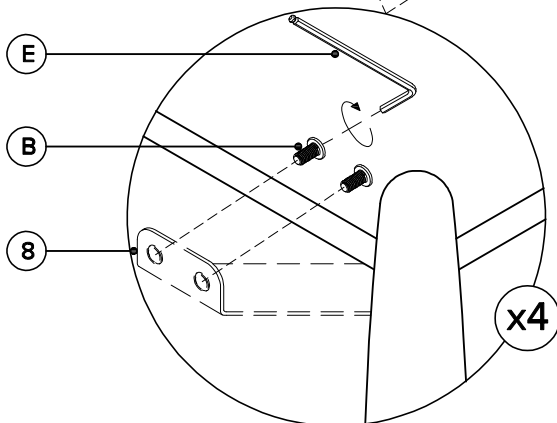
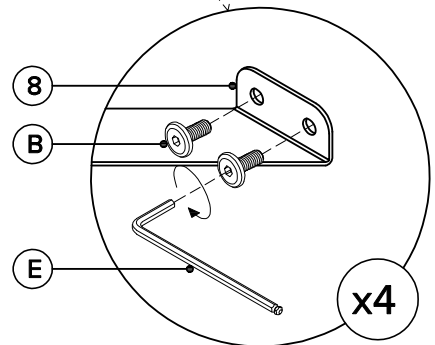
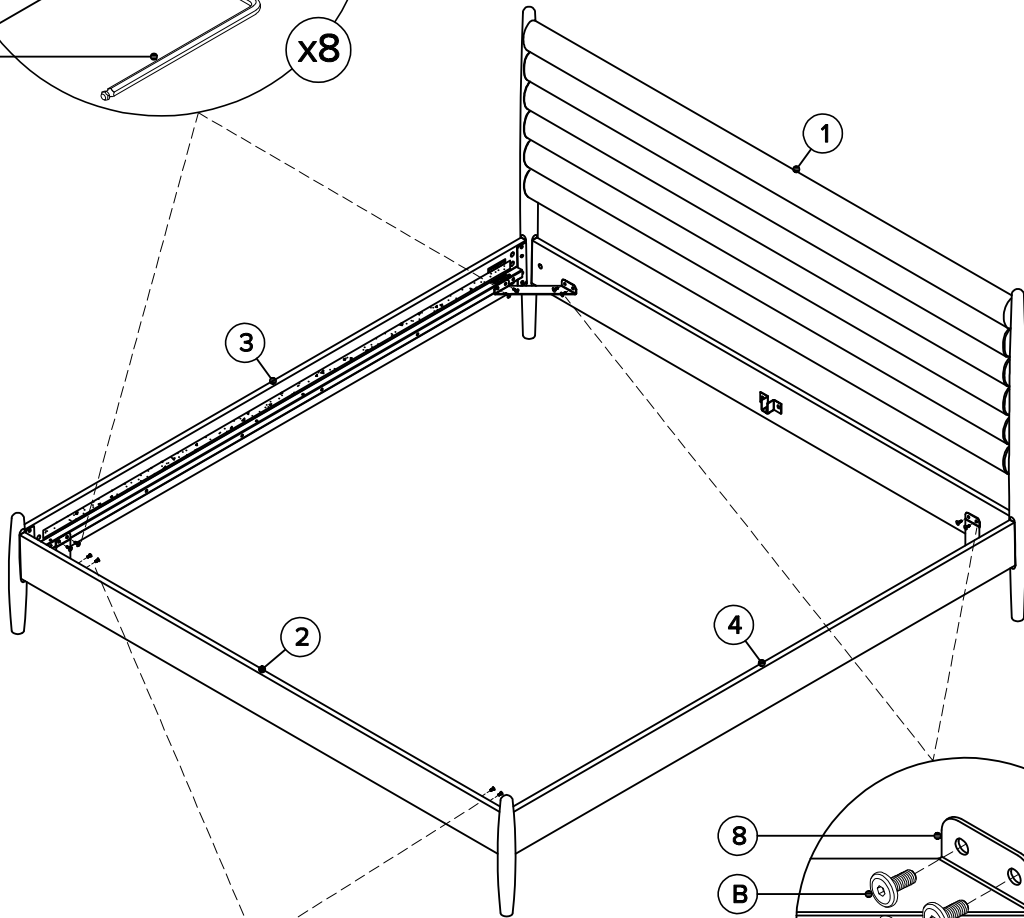
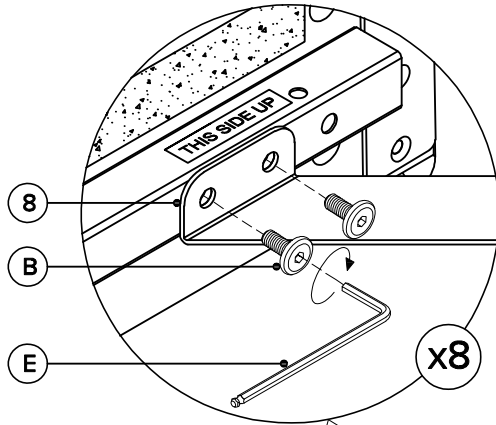
2A



2B

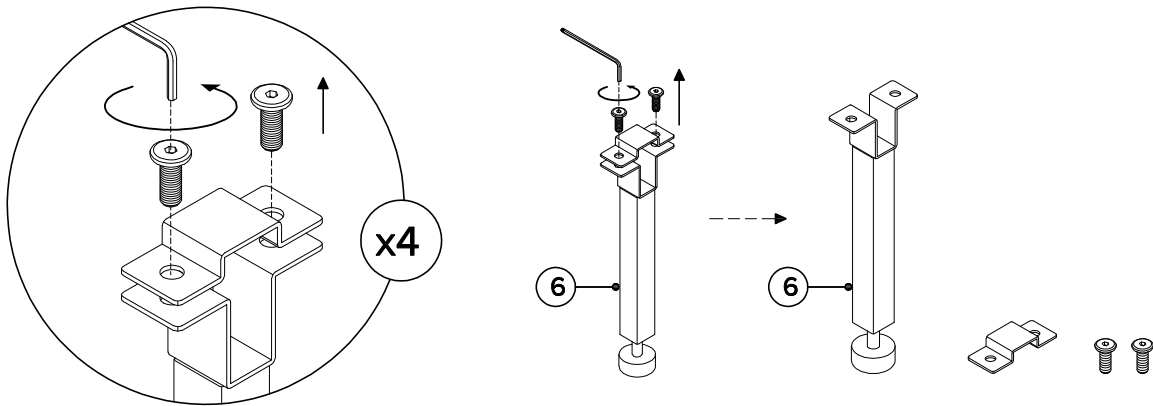


3



4A

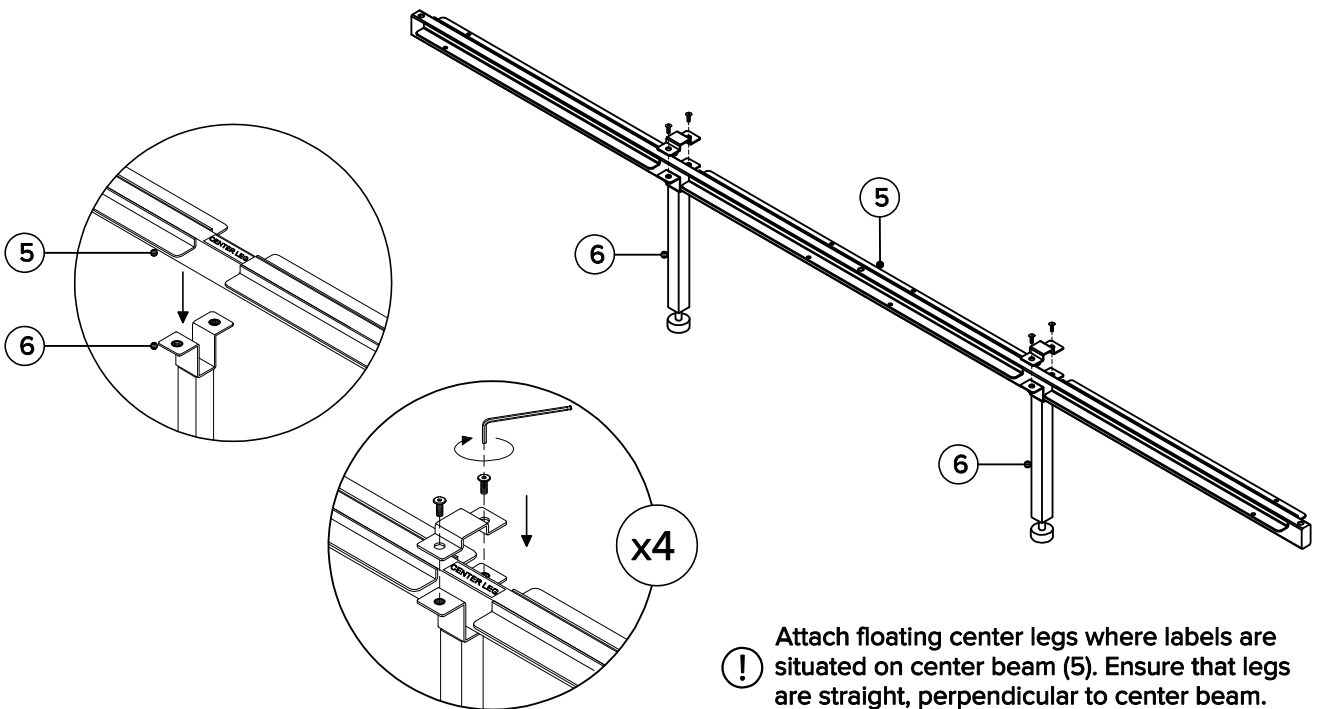
TO REMOVE



! Unscrew bolts from center leg brackets and floating center legs (6) before attaching to center beam (5).

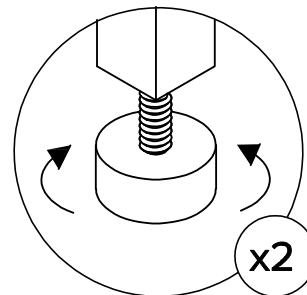
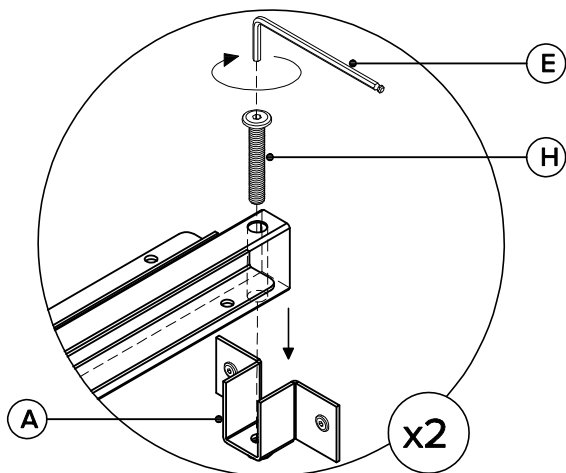
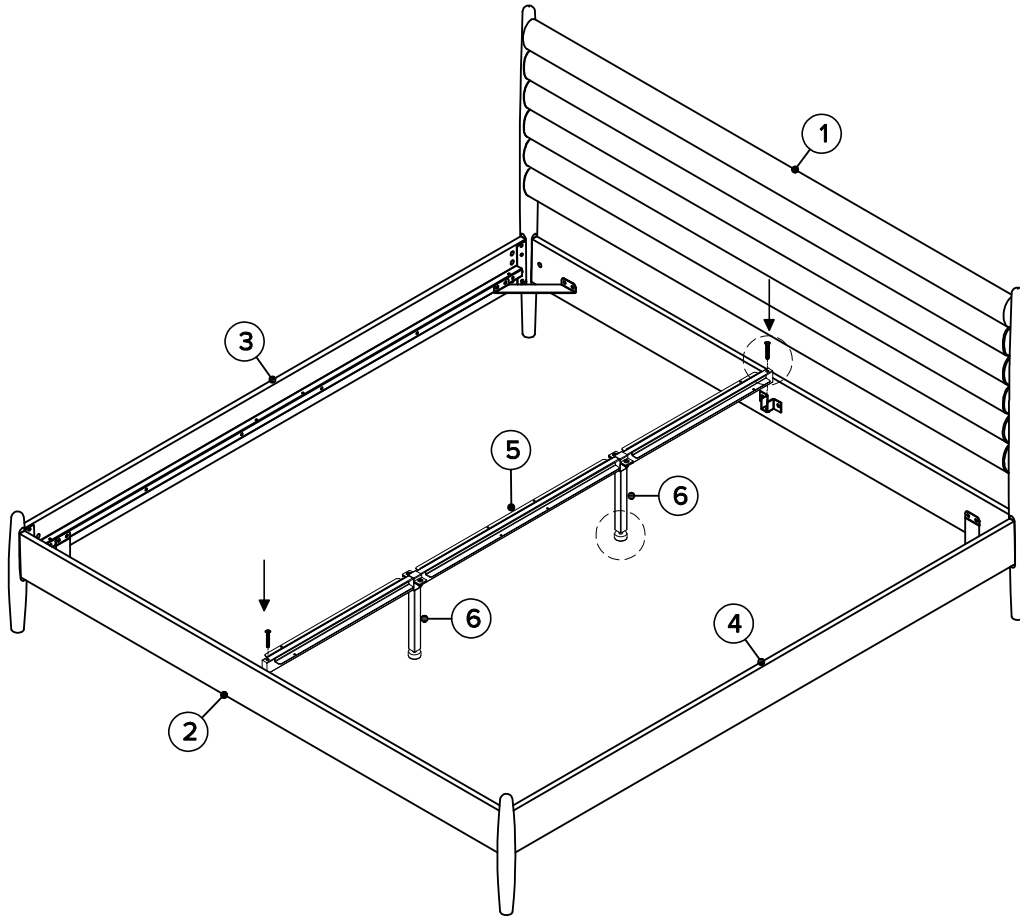
4B

TO ASSEMBLY



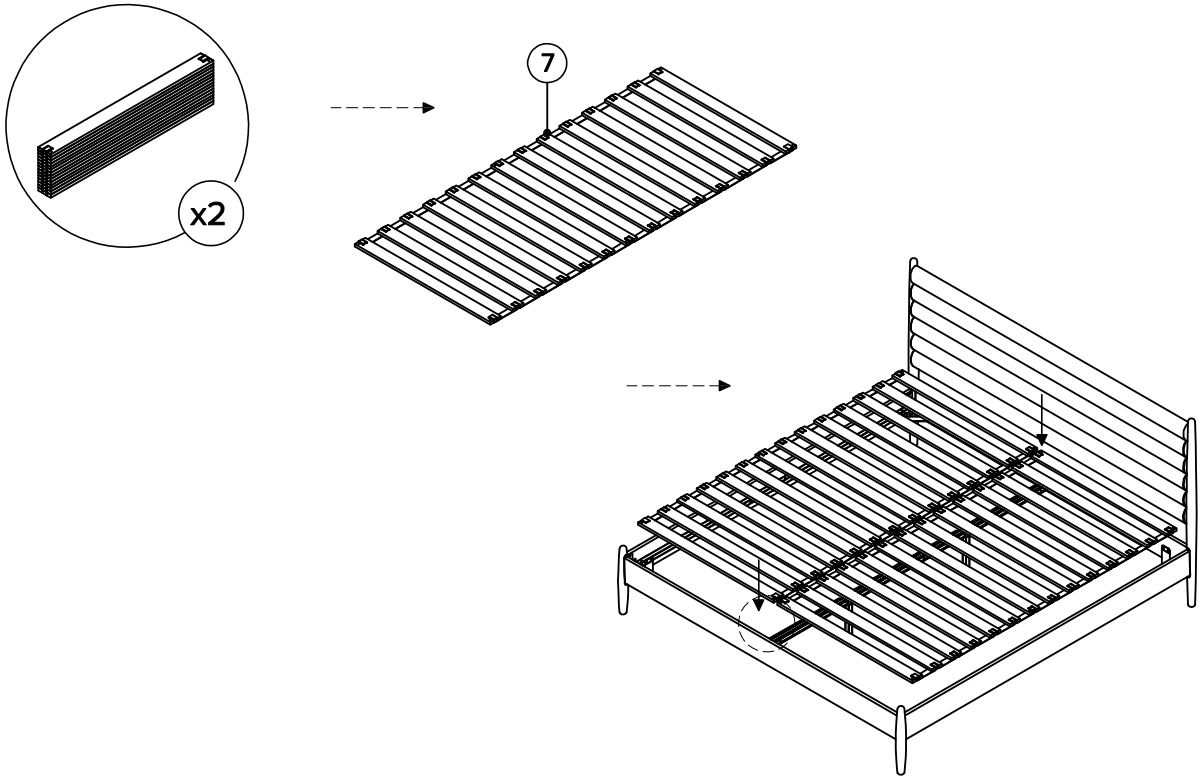
! Attach floating center legs where labels are situated on center beam (5). Ensure that legs are straight, perpendicular to center beam.

5

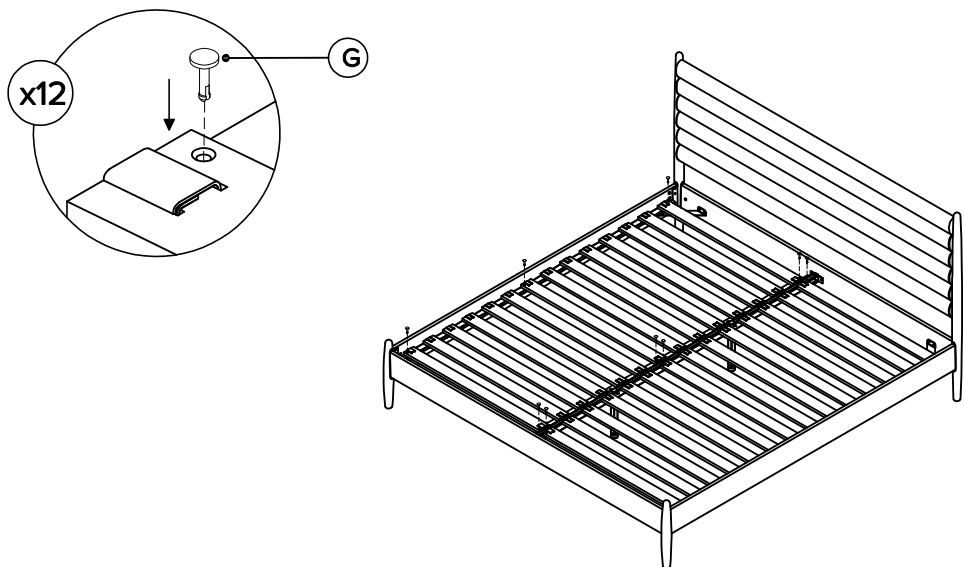


ⓘ Adjust levelers on floating center legs to allow for a 2-3mm clearance.

6A



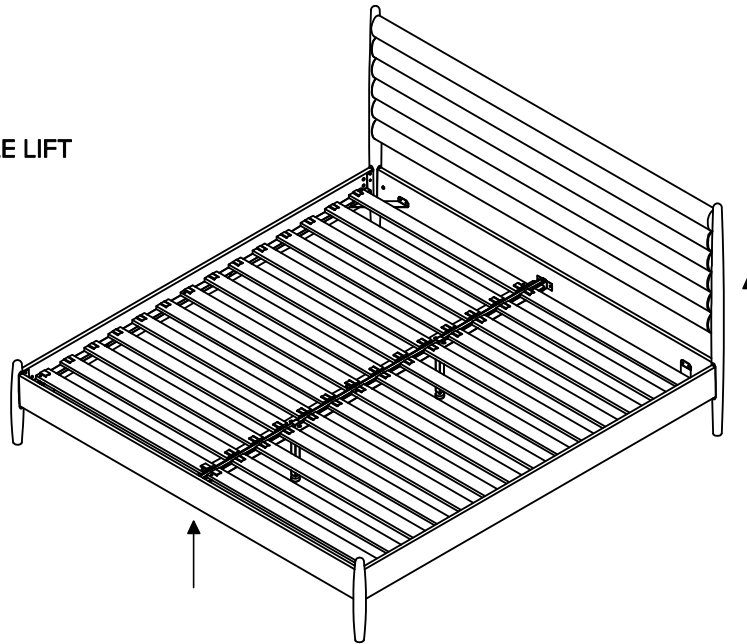
6B



7



TWO PEOPLE LIFT



DO NOT DRAG BED FROM SIDE

