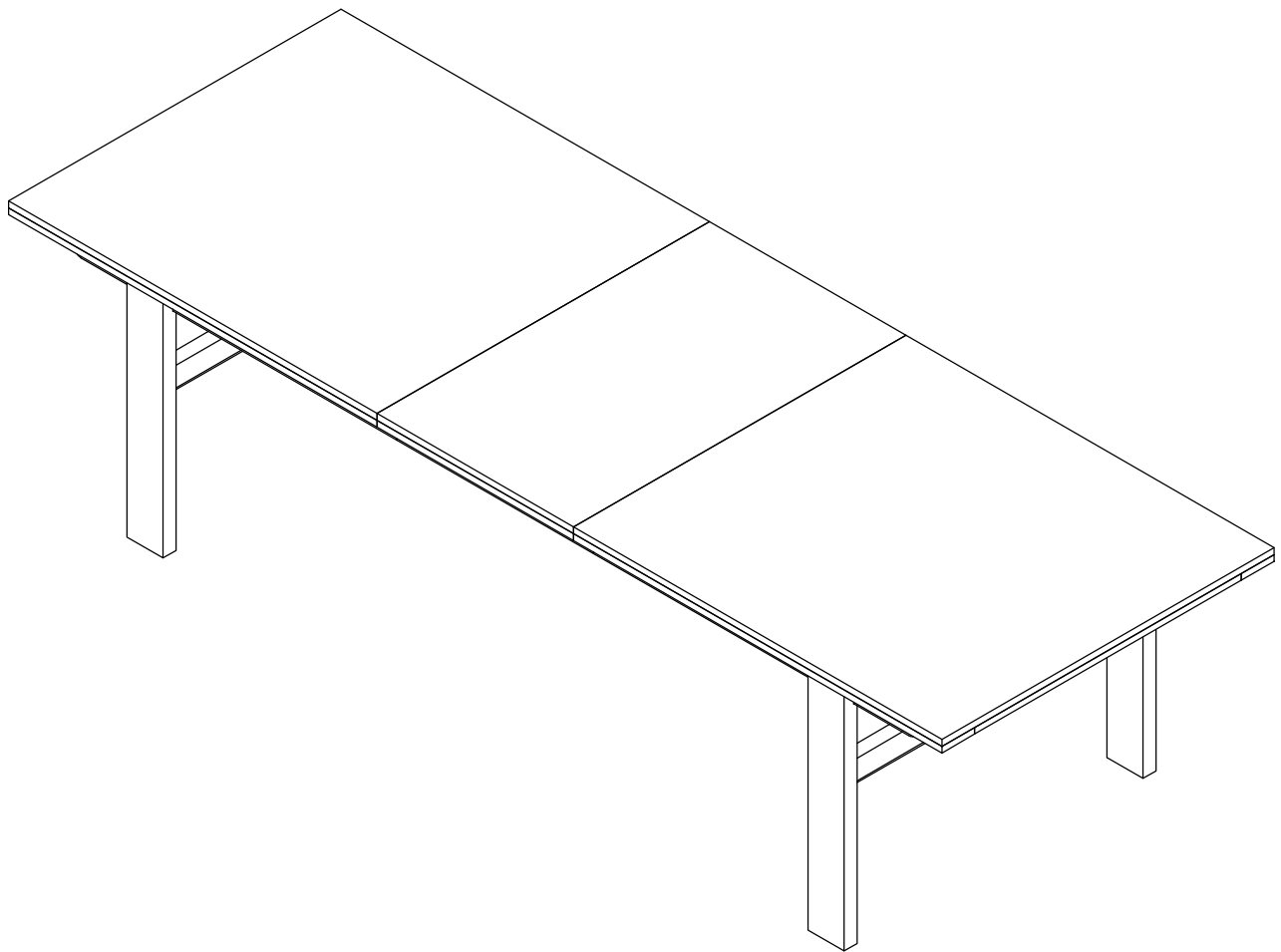


ARTICLE.

VERSION 1.0

Assembly Instructions



GINA

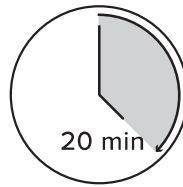
Extendable Dining Table

ASSEMBLY INSTRUCTIONS

Read these instructions carefully and keep for future reference. Refer to parts inventory for guidance, and ensure you have all pieces before starting.

When assembling, place all parts on a soft, clean, and flat surface such as a carpet to prevent scratches.

If you're having difficulty, our friendly Customer Care team is always here to help. Call us at **1.888.746.3455** during business hours, email service@article.com or chat live at article.com.






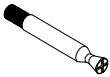


TIME



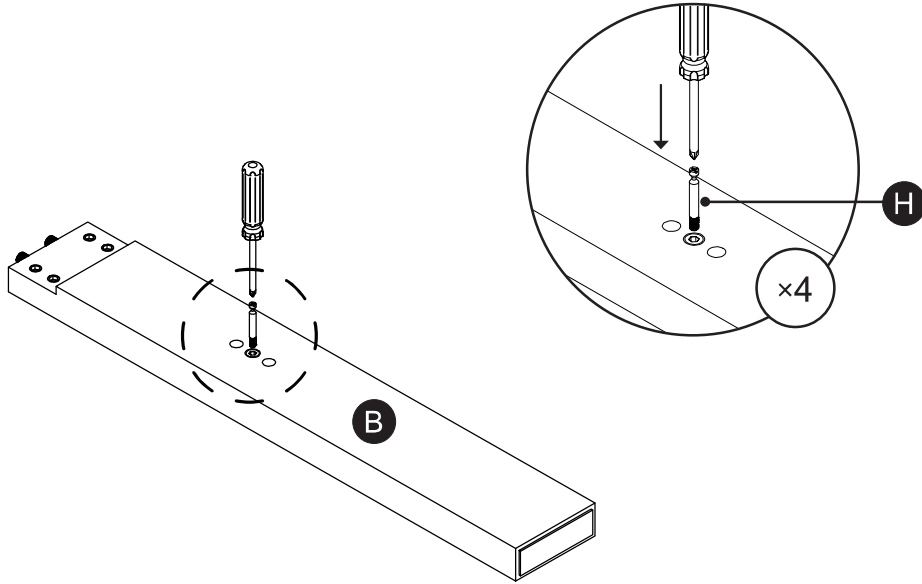
OF PEOPLE



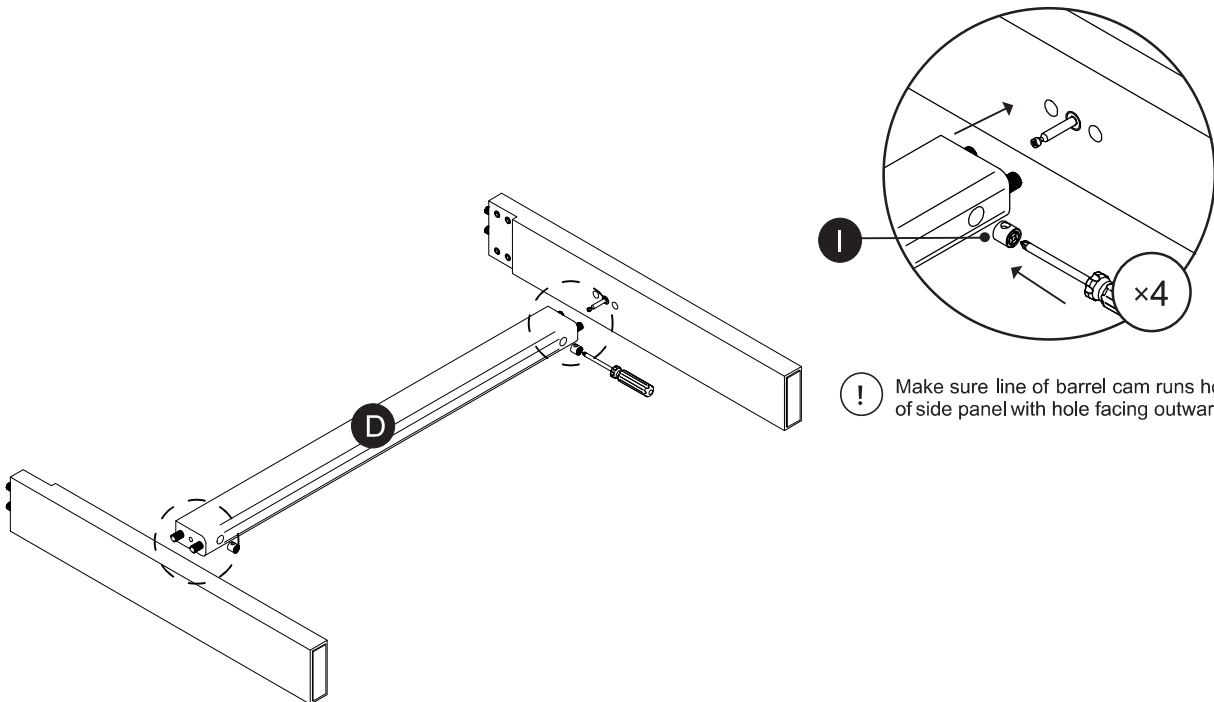
DIFFICULTY

PARTS INVENTORY		
ID	DESCRIPTION	QTY
A	TABLE TOP	1
B	LEG	4
C	EXTENDABLE TABLE TOP	1
D	SUPPORT LEG	2
E	M6 × 50MM BOLT 	16
F	LOCK WASHER 	16
G	WASHER 	16
H	CAMLOCK PIN 	4
I	CAMLOCK 	4
J	ALLEN KEY 	1

1

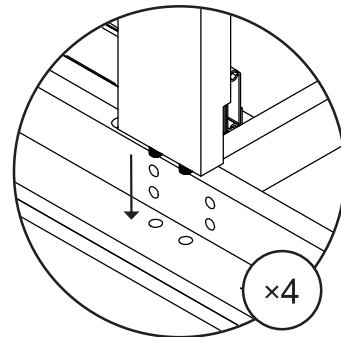
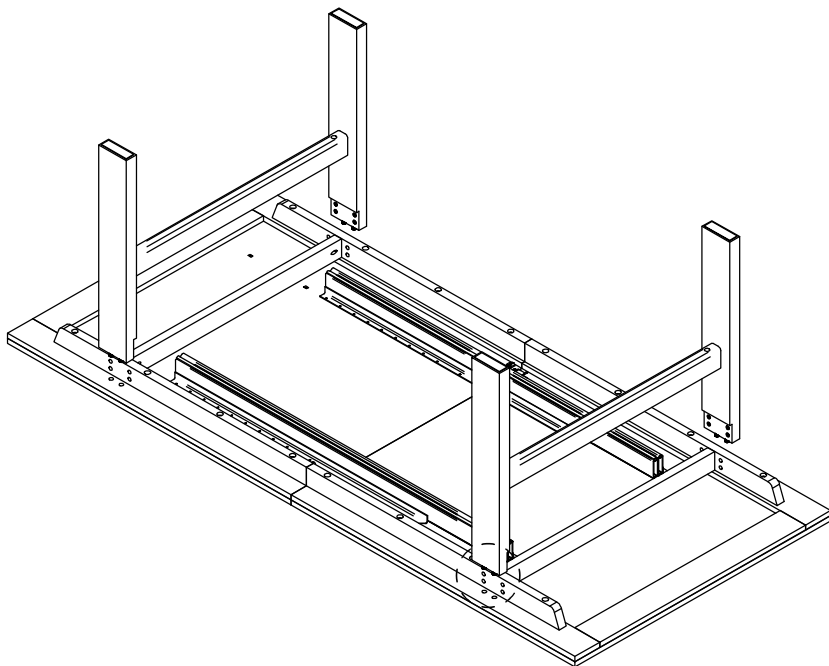


2

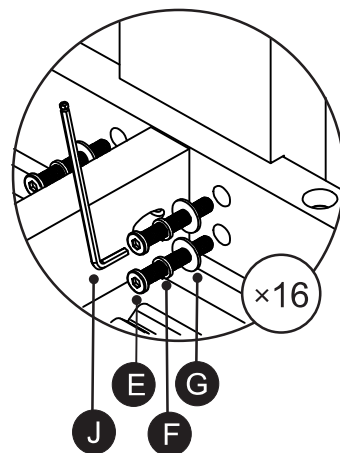
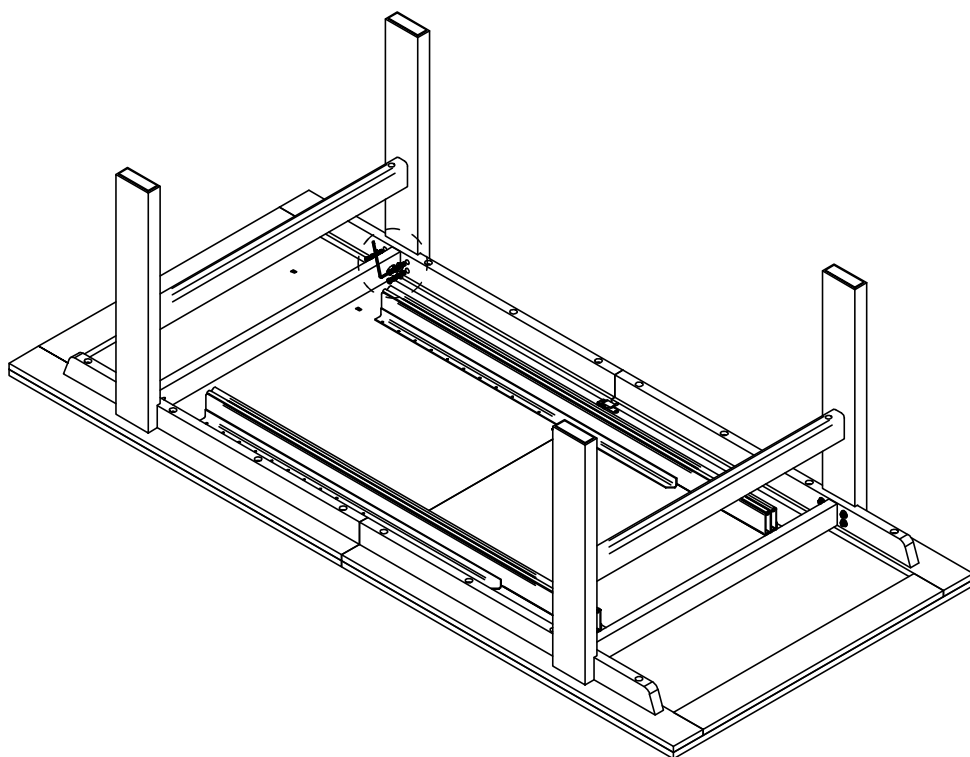


! Make sure line of barrel cam runs horizontal to top of side panel with hole facing outward as shown.

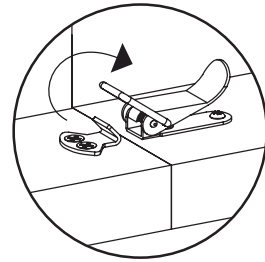
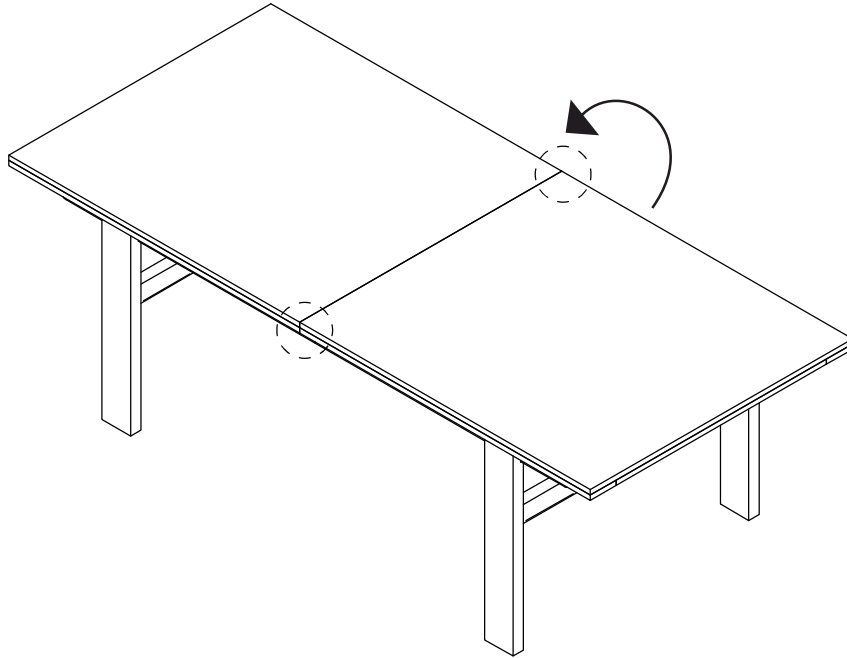
3



4

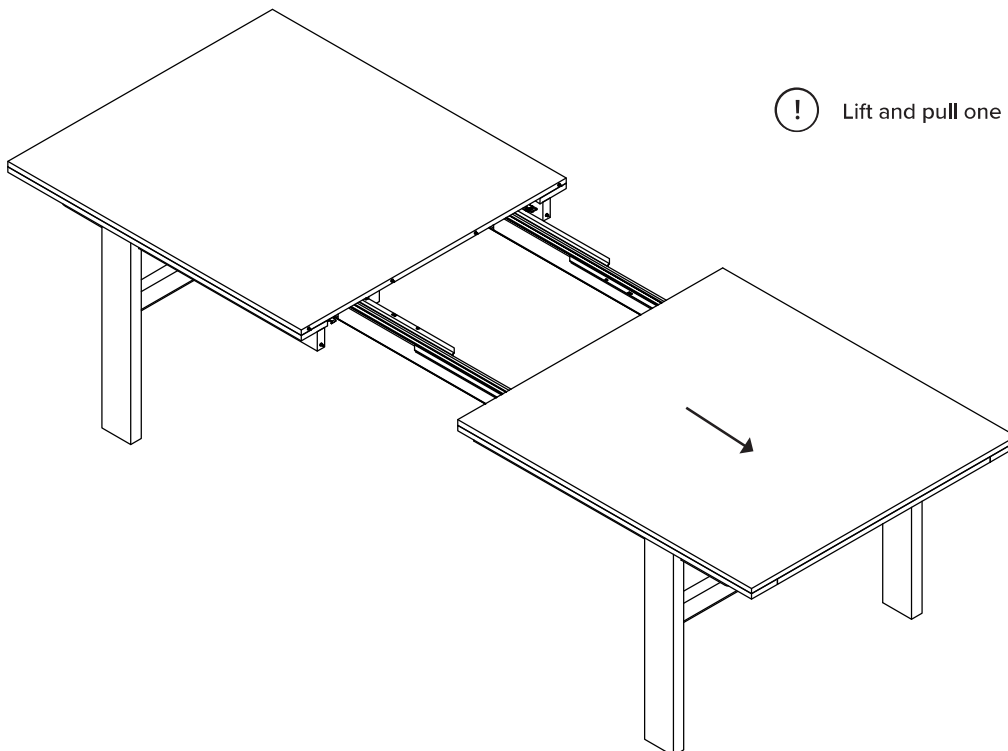


5



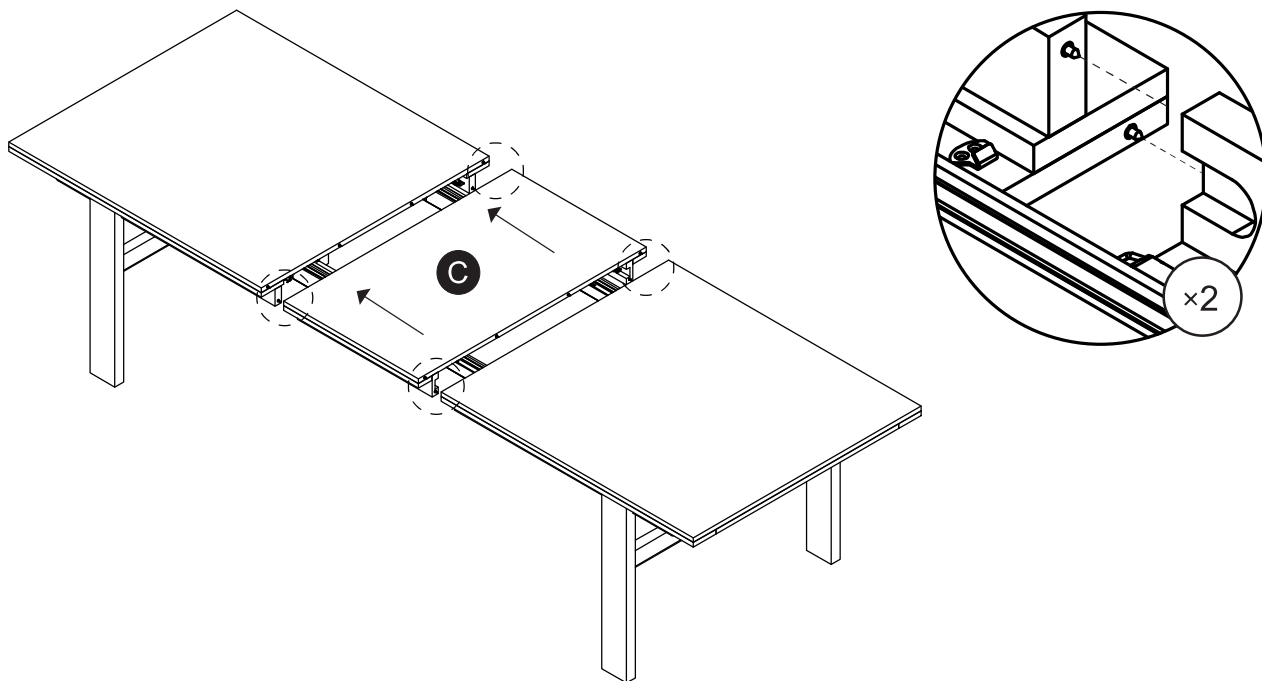
! Unlock to adjust tabletop.

6

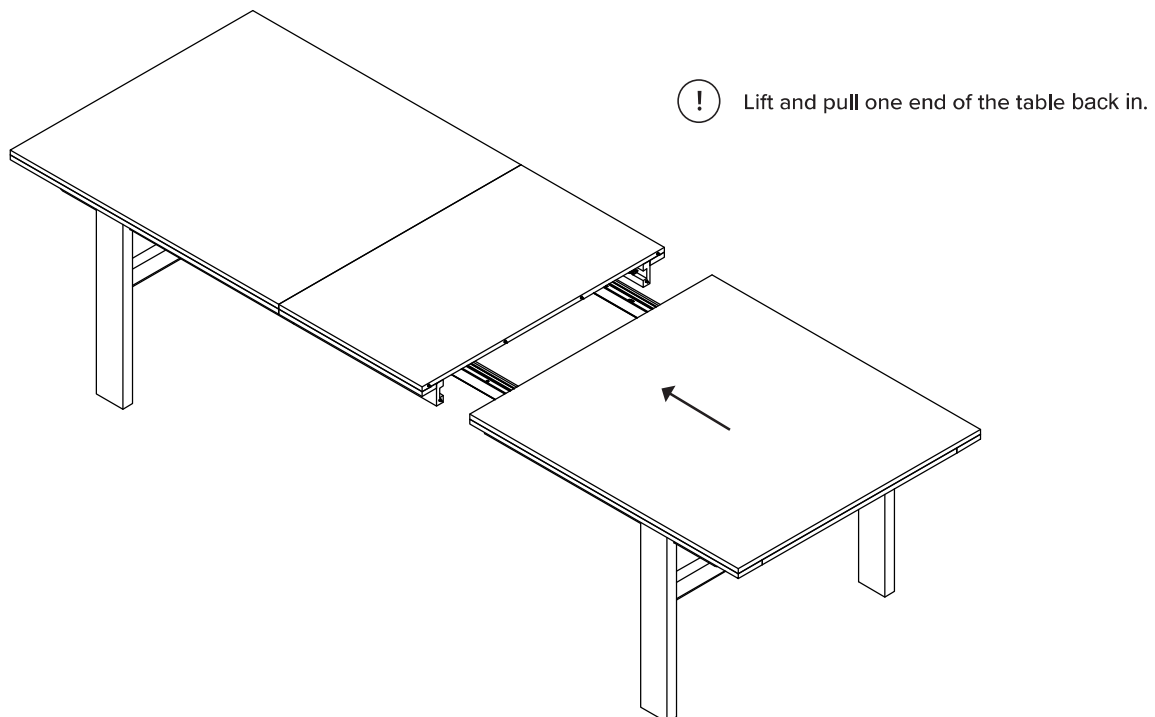


! Lift and pull one end of the table.

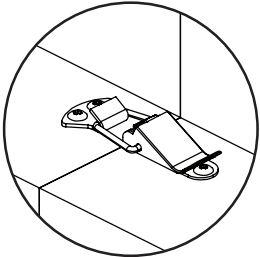
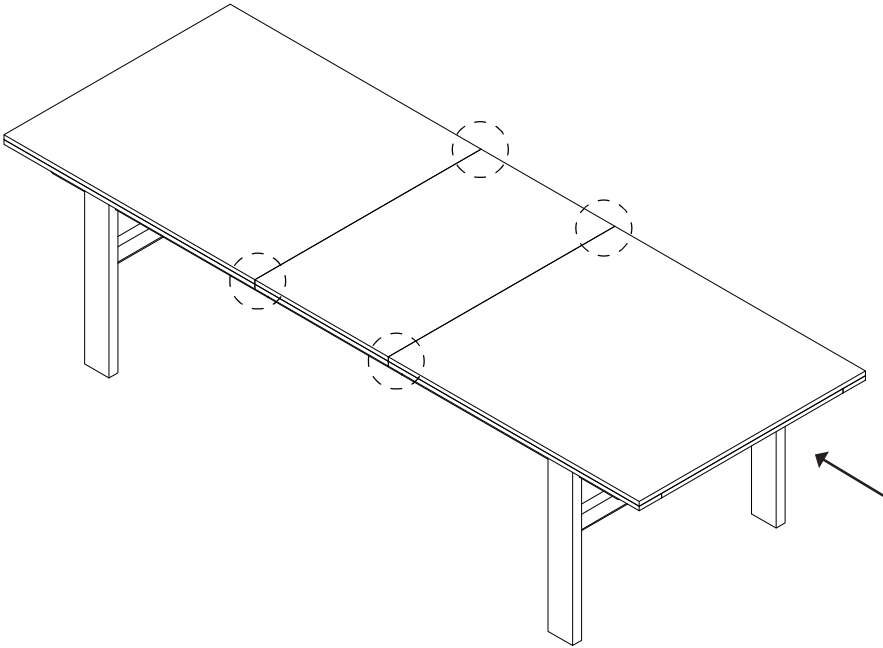
7



8



9

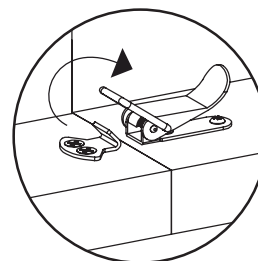
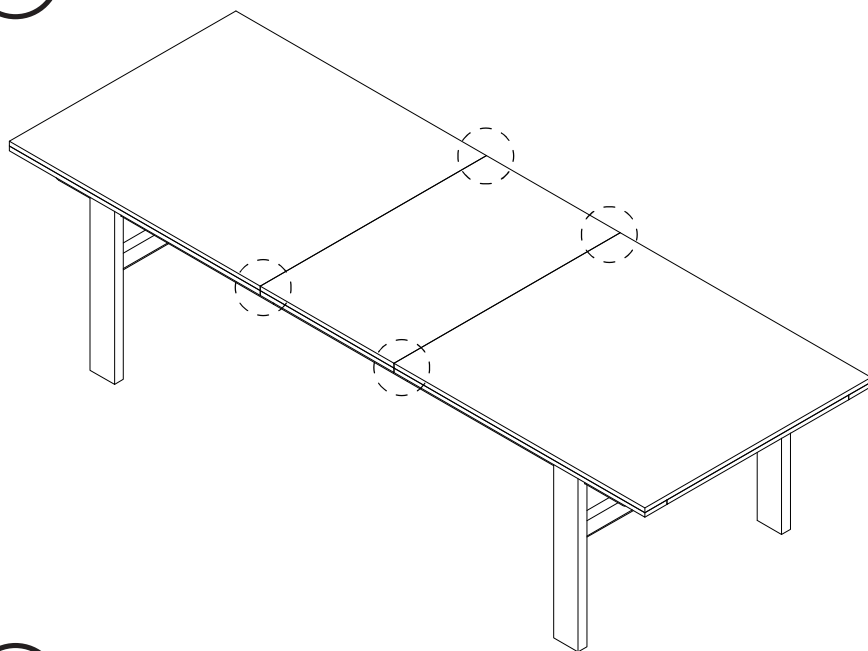


! Lock to fix table top location.

HOW TO STORE THE LEAVES

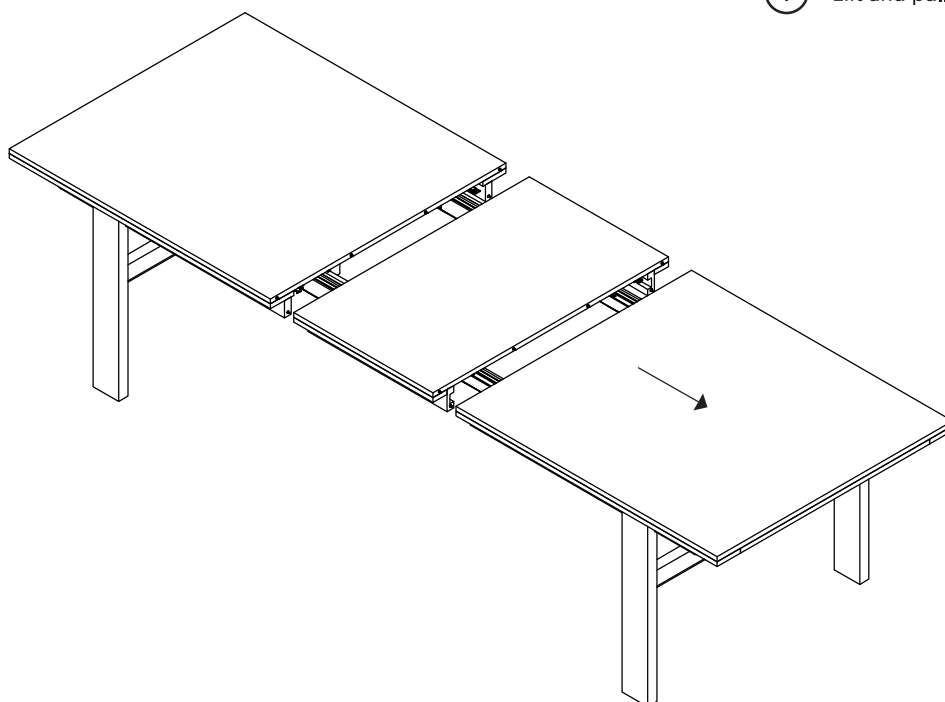
INSTRUCTIONS

1



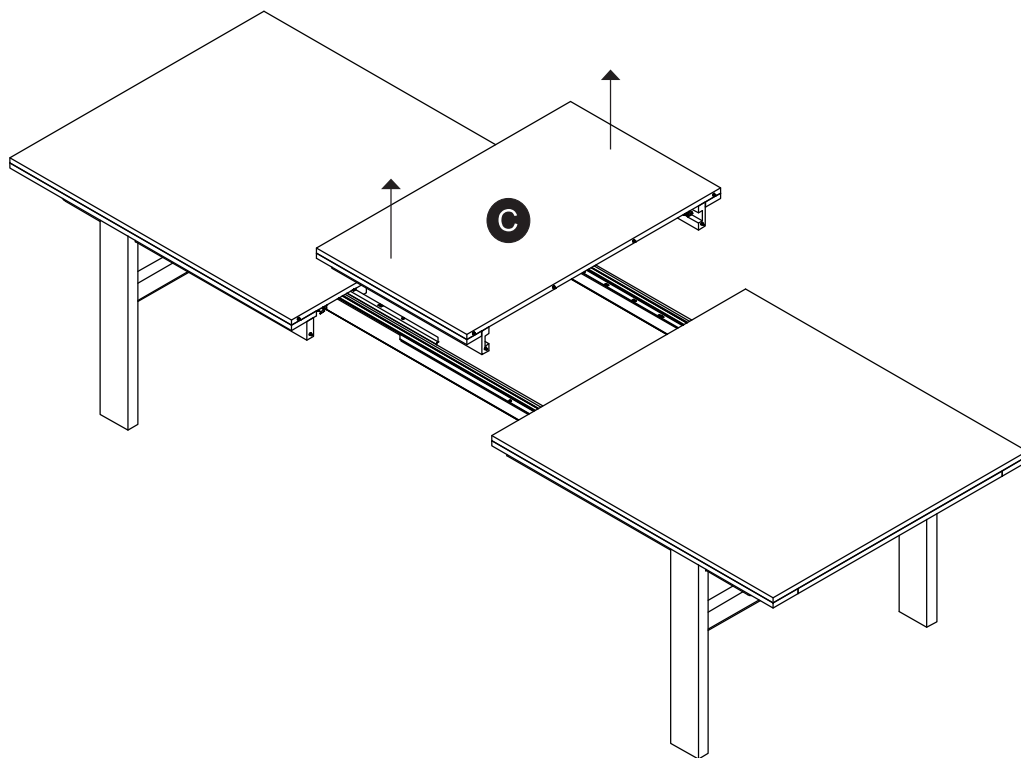
! Unlock to adjust tabletop.

2

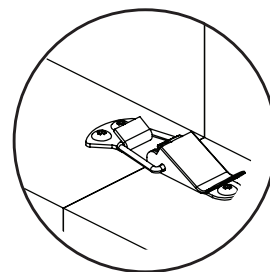
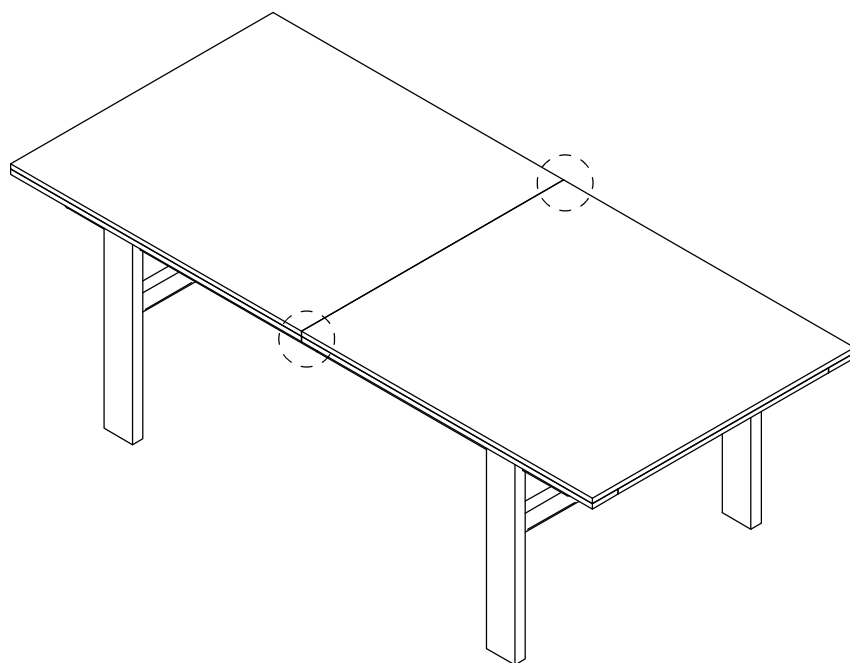


! Lift and pull one end of the table.

3



4



! Lock to fix table top location

5

! Open/close the apron when you take the leaves out or put it back.

