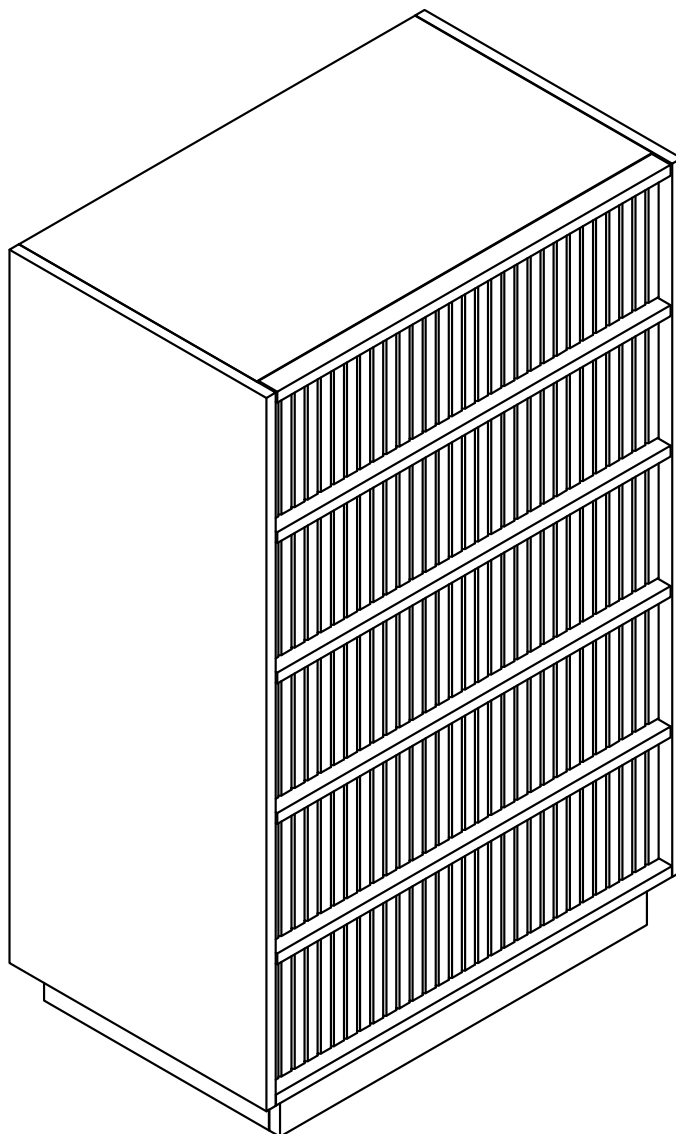


ARTICLE.

VERSION 1.0

Assembly Instructions



KOUVA

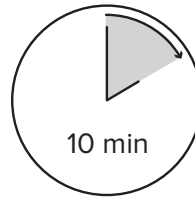
5-Drawer Chest

ADJUSTMENT INSTRUCTIONS

Read these instructions carefully and keep for future reference. Refer to parts inventory for guidance, and ensure you have all pieces before starting.

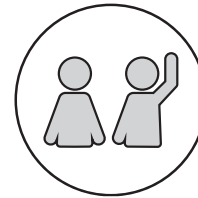
When assembling, place all parts on a soft, clean, and flat surface such as a carpet to prevent scratches.

If you're having difficulty, our friendly Customer Care team is always here to help. Call us at **1.888.746.3455** during business hours, email service@article.com or chat live at [article.com](https://www.article.com).

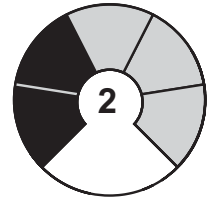


10 min

TIME



OF PEOPLE

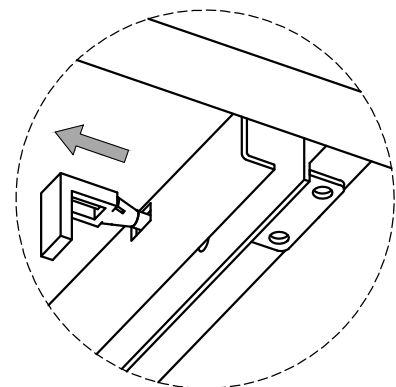
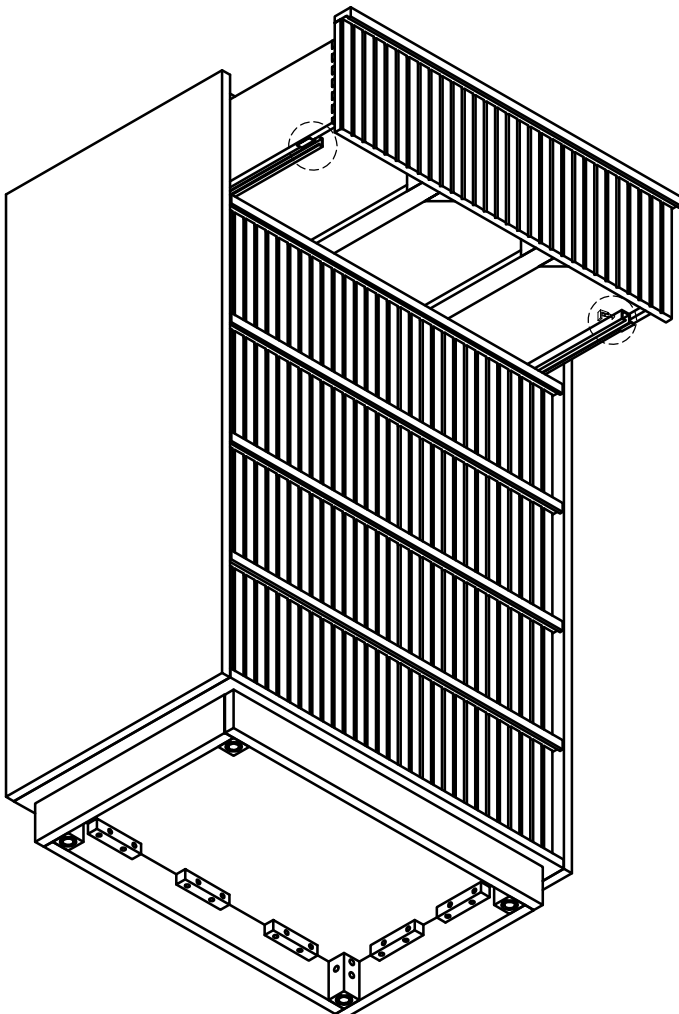


2

DIFFICULTY

FIX A CROOKED DRAWER

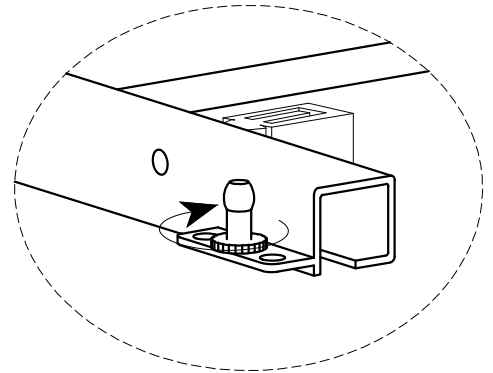
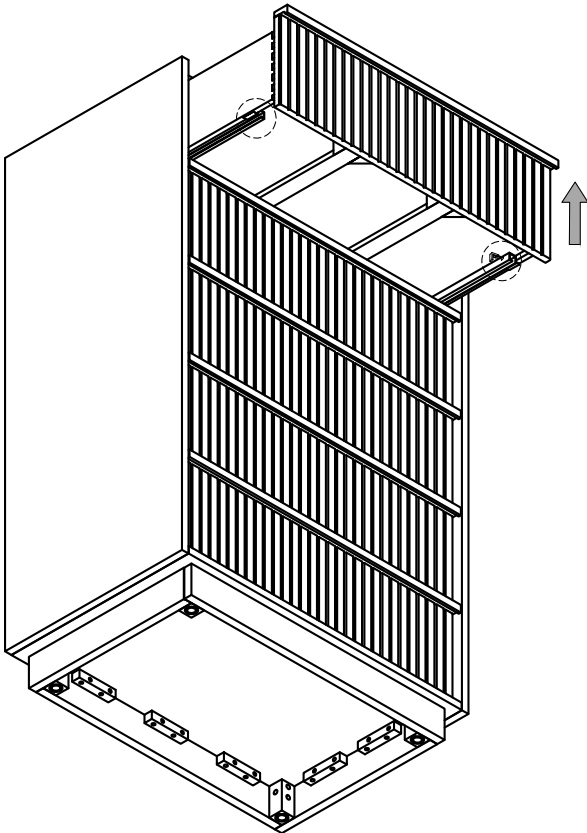
! During shipping, the drawers of your cabinet may have shifted slightly. This can easily be corrected by adjusting the drawers' glides.



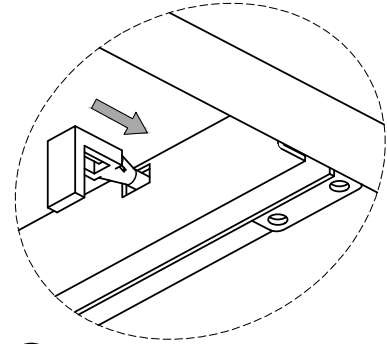
! Pull out the drawer and unlock the trigger on the side needs to be adjusted.

FIX A CROOKED DRAWER

If the drawer needs to be raised:

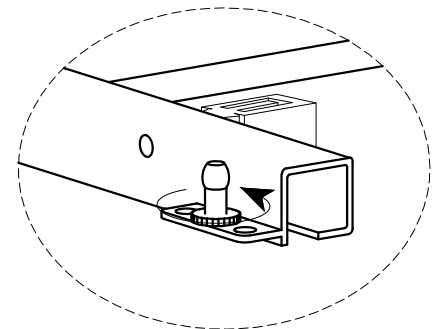
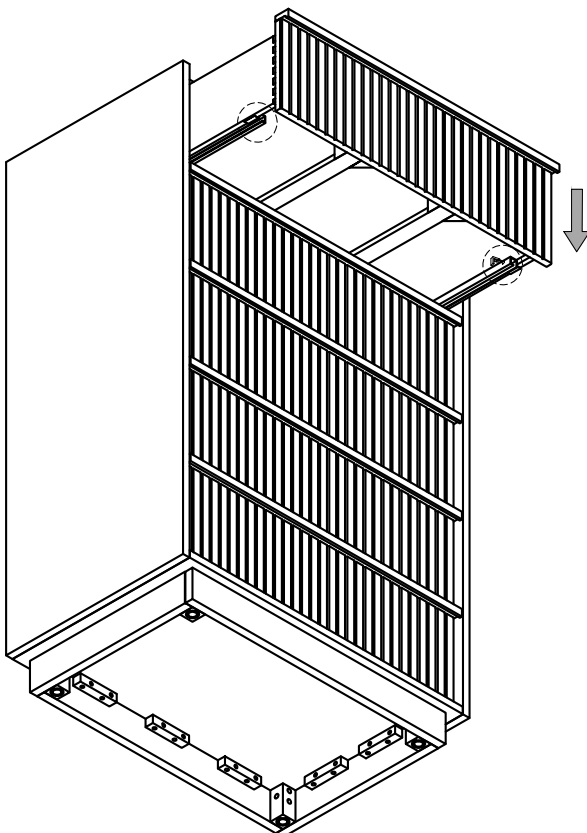


! Rotate the adjustment wheel on the drawer glides as the direction of the arrow.

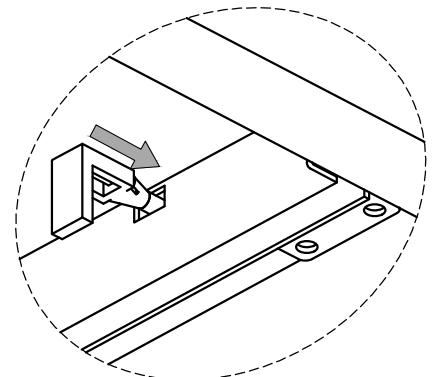


! Lock the trigger after adjustment.

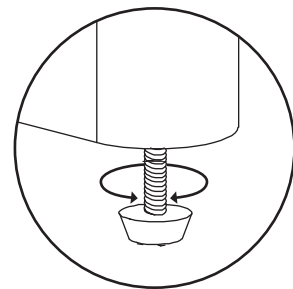
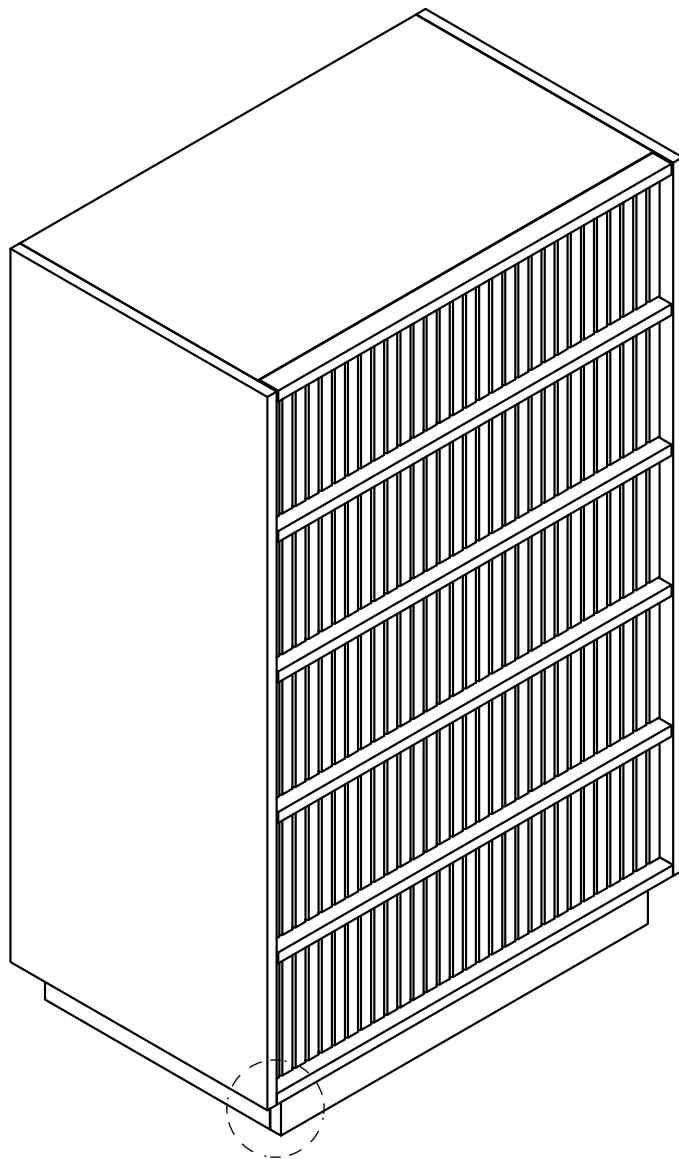
If the drawer needs to be lowered:



! Rotate the adjustment wheel on the drawer glides as the direction of the arrow.



! Lock the trigger after adjustment.



! Adjust levelers as needed.

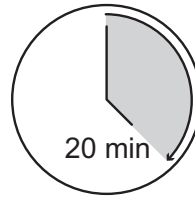


ANTI-TIP RESTRAINT INSTALLATION

WARNING!

Children have died from furniture tipover.
To reduce the risk of furniture tipover:

- ALWAYS install tipover restraint provided.
- NEVER put a TV on this product.
- NEVER allow children to stand, climb or hang on drawers, doors, or shelves.
- NEVER open more than one drawer at a time.
- Place heaviest items in the lower drawers.

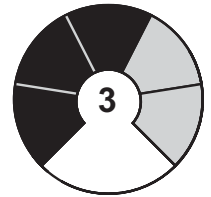


20 min

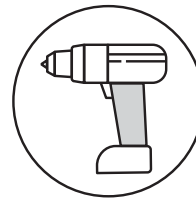
TIME



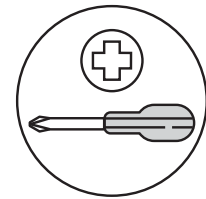
OF PEOPLE



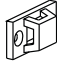
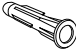

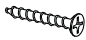

DIFFICULTY



REQUIRED TOOL
8MM / 5/16" DRILL BIT

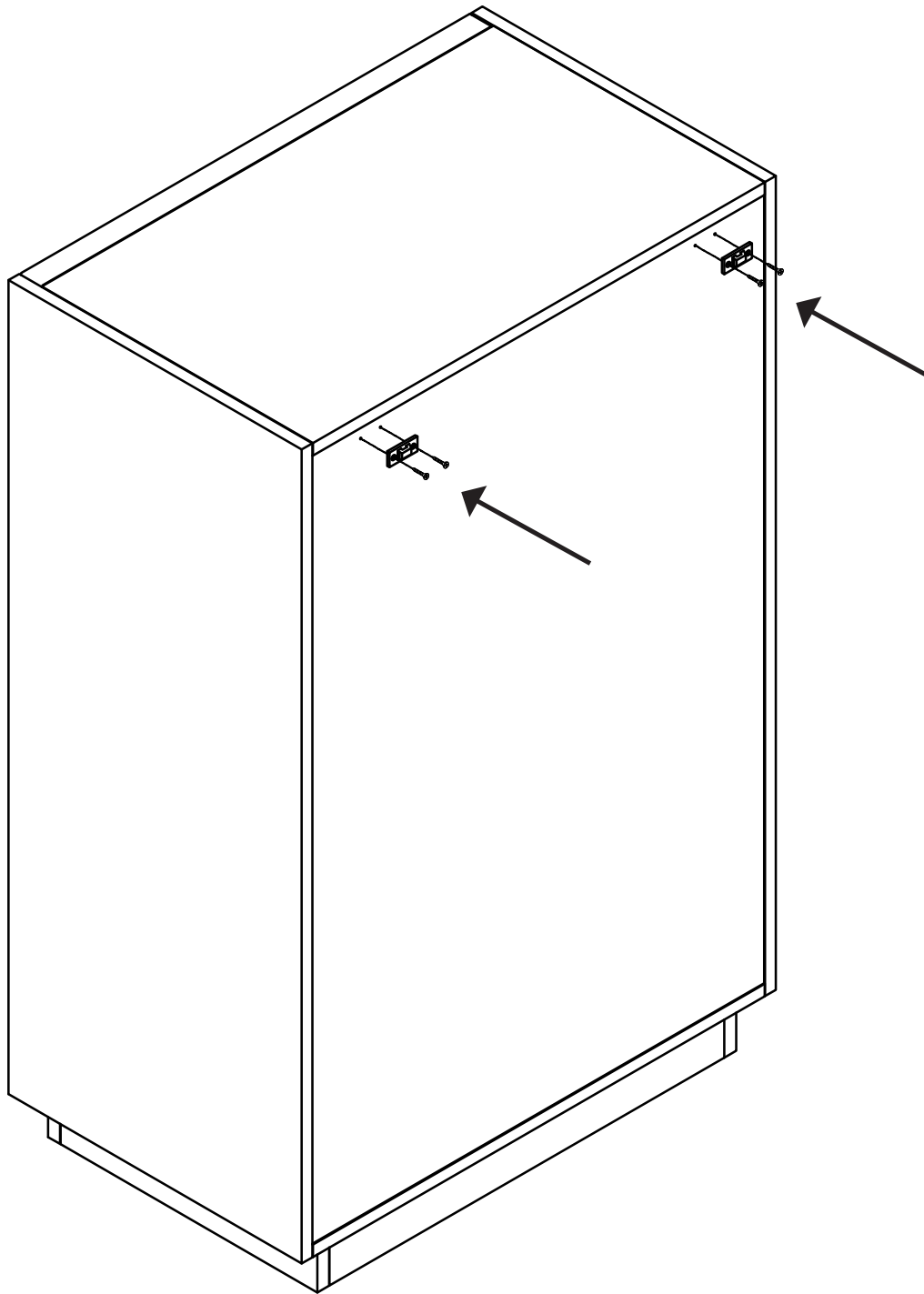


REQUIRED TOOL

PARTS INVENTORY		
ID	DESCRIPTION	QTY
A	BRACKET 	4
B	M8 × 51MM PLUG 	4
C	M6 × 70MM SCREW 	4
D	M4 × 20MM SCREW 	4
E	STRAP 	2

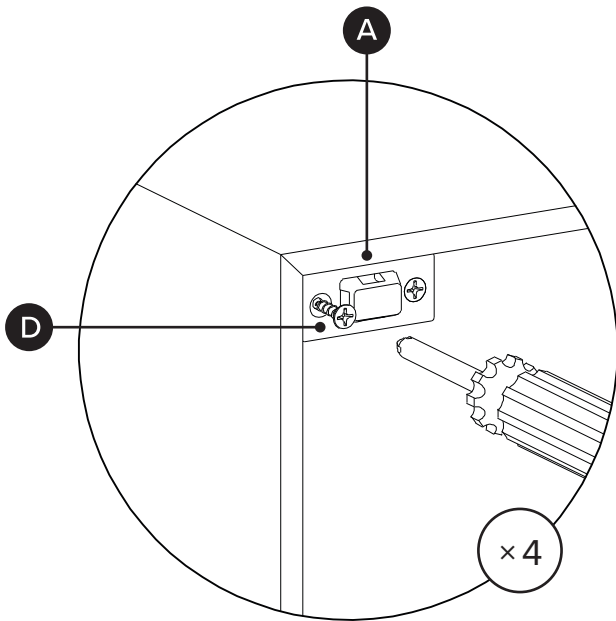


Hardware (B/C) to attach brackets to wall is designed for drywall. To attach this unit to another type of wall, consult with your local hardware store.

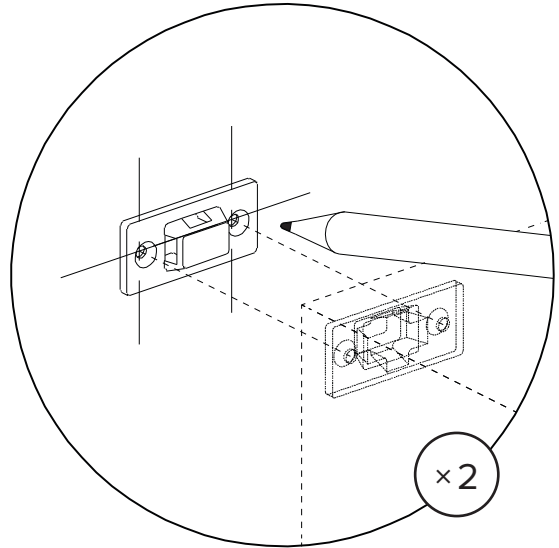


1

2

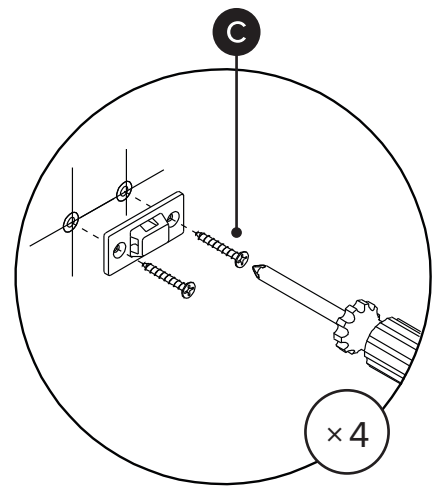
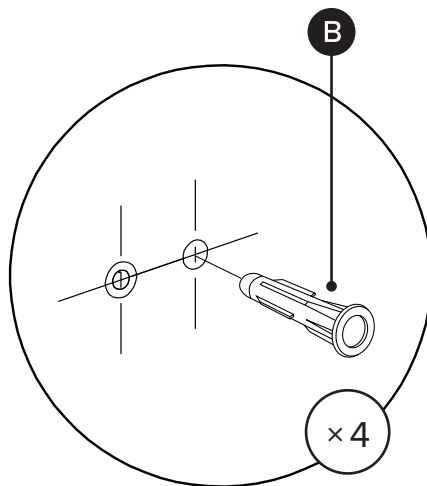
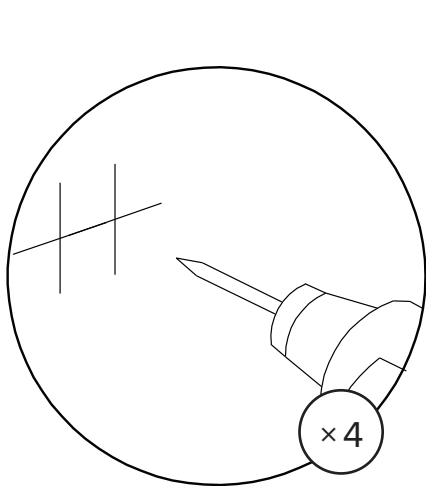


Attach pair of brackets to top corners of the back of the unit.



Mark on wall where second pair of brackets should be placed.

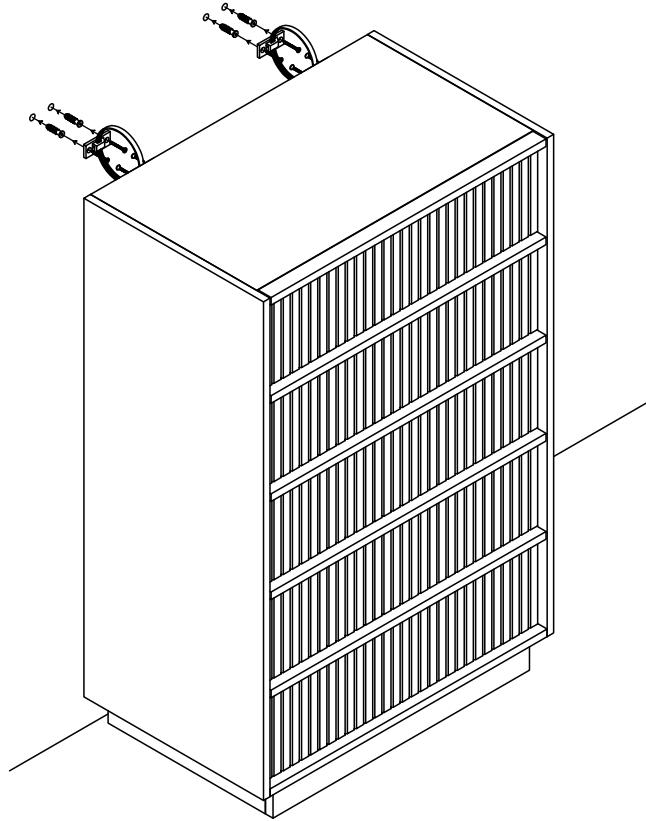
3



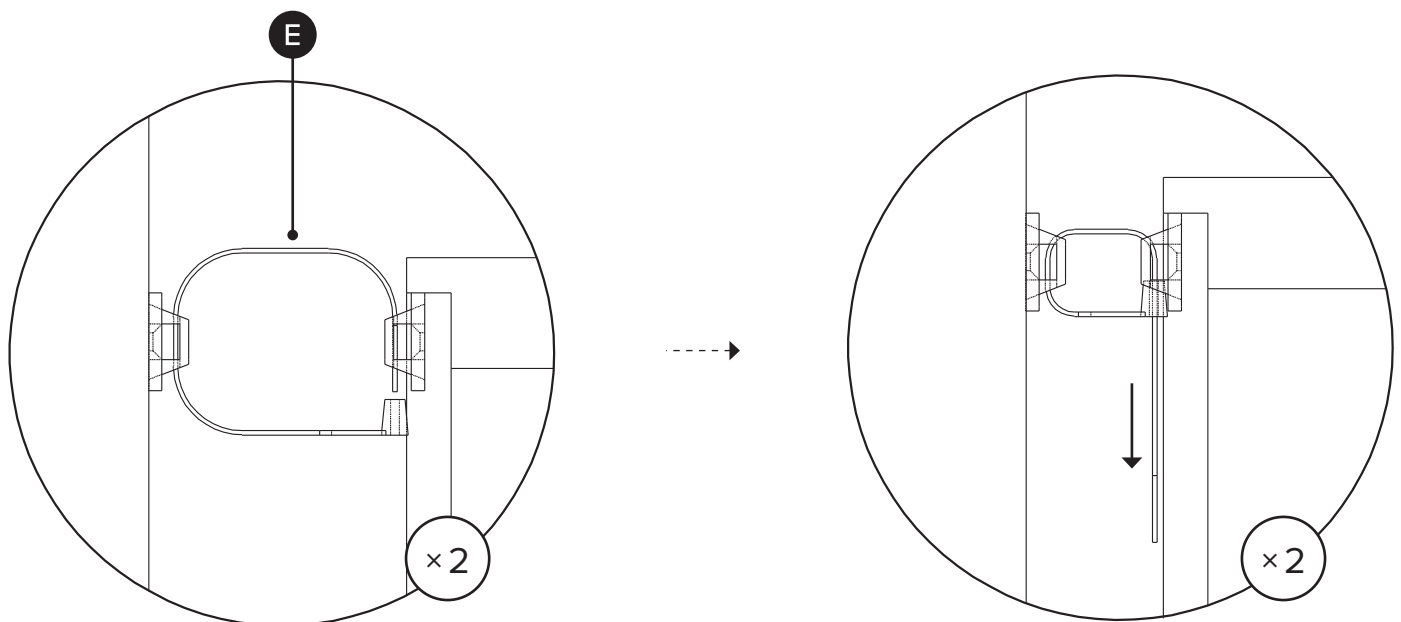
Drill holes in wall using 8mm / 5/16" drill bit.

4A

Align brackets on unit with brackets on wall.



4B



Pull strap down until it snap-locks.