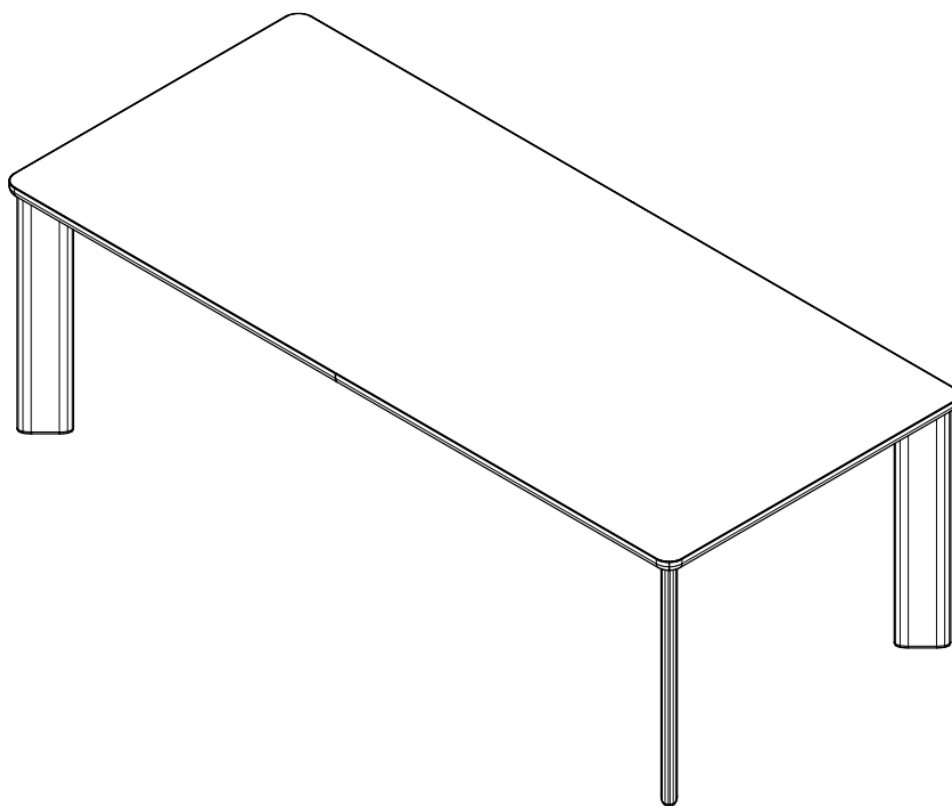


ARTICLE.

VERSION 1

Assembly Instructions



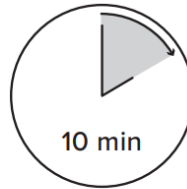
YARIK DINING TABLE FOR 8

ASSEMBLY INSTRUCTIONS

Read these instructions carefully and keep for future reference. Refer to parts inventory for guidance, and ensure you have all pieces before starting

When assembling, place all parts on a soft, clean, and flat surface such as a carpet to prevent scratches.

If you're having difficulty, our friendly Customer Care team is always here to help. Call us at 1.888.746.3455 during business hours, email service@article.com or chat live at article.com

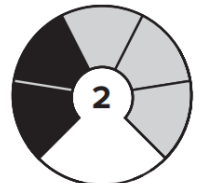


10 min

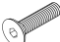








TIME



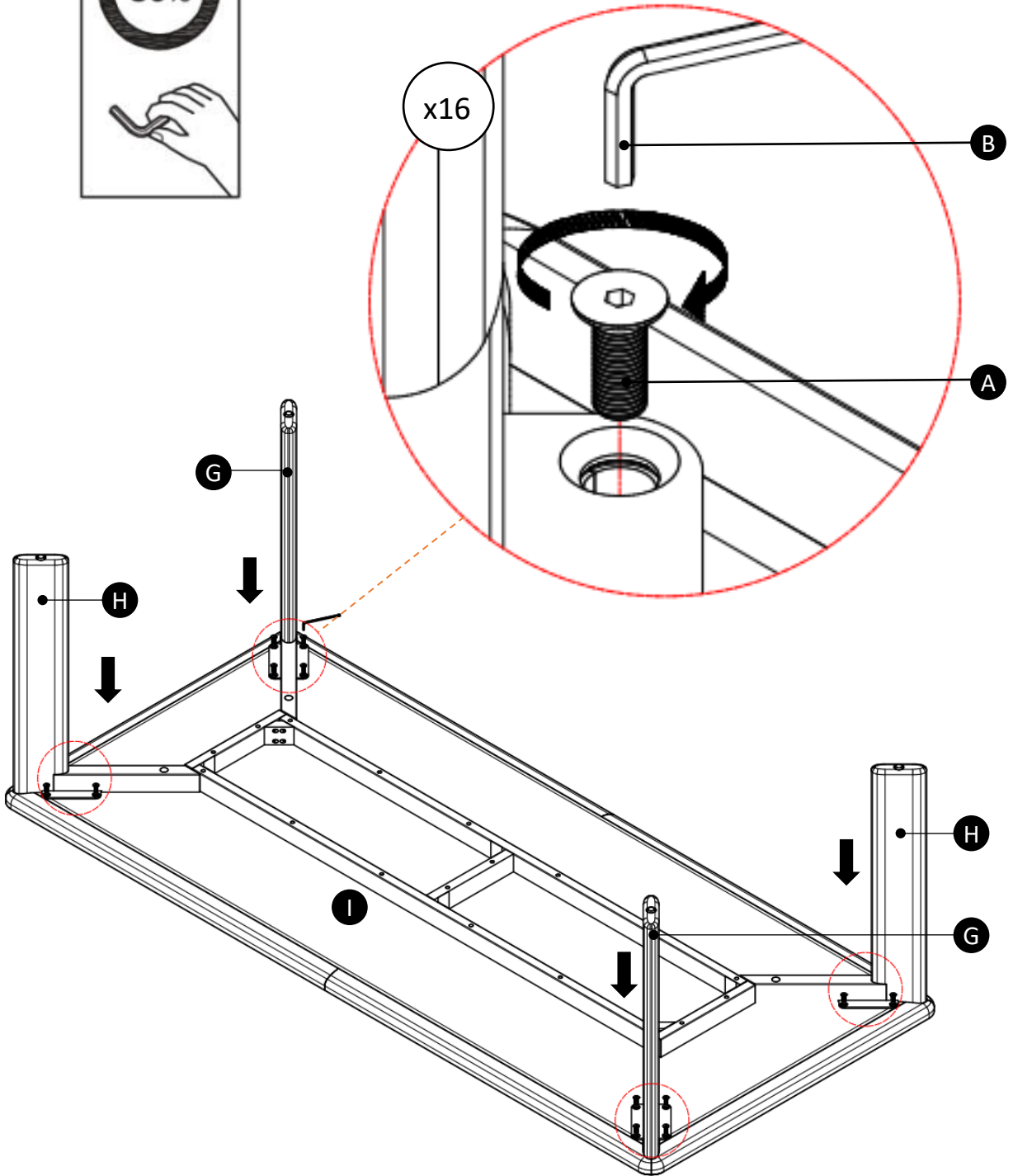
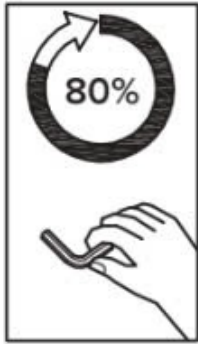
OF PEOPLE



DIFFICULTY

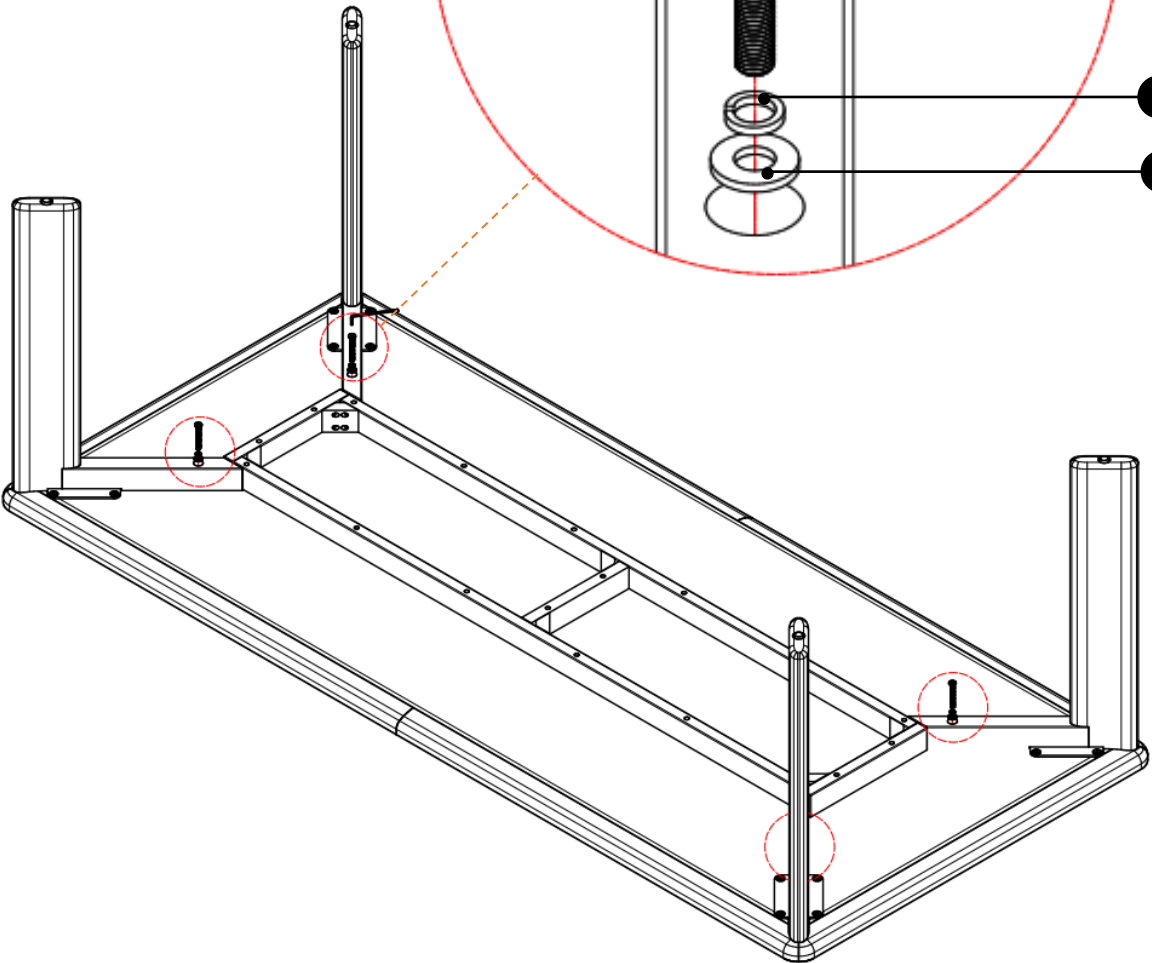
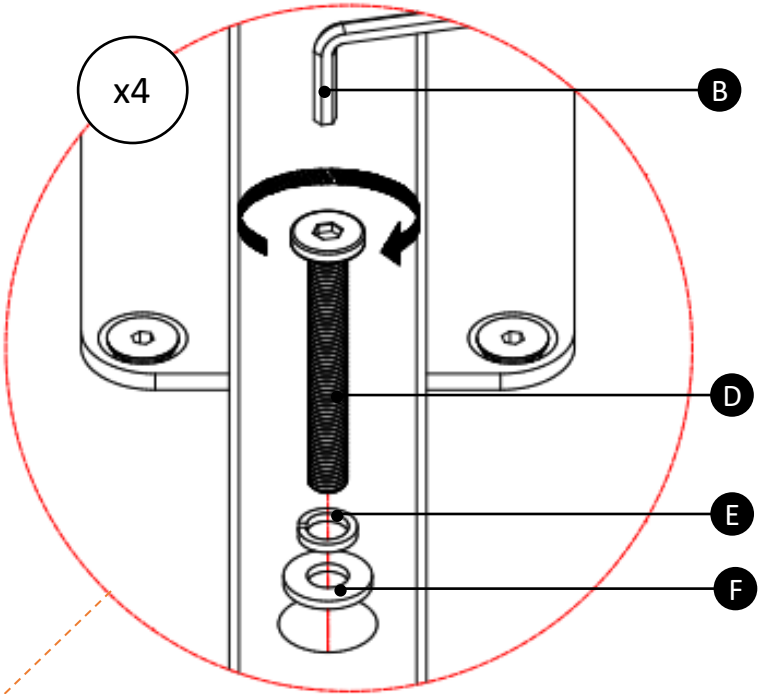
| PARTS INVENTORY | | |
|-----------------|---|-----|
| ID | DESCRIPTION | QTY |
| A | M8X20 MM BOLT  | 16 |
| B | ALLEN KEY K5  | 1 |
| C | ALLEN KEY K4  | 1 |
| D | M8x60 MM BOLT  | 4 |
| E | WASHER  | 4 |
| F | LOCK WASHER  | 4 |
| G | LEG RIGHT  | 2 |
| H | LEG LEFT  | 2 |
| I | TABLE TOP  | 1 |

1

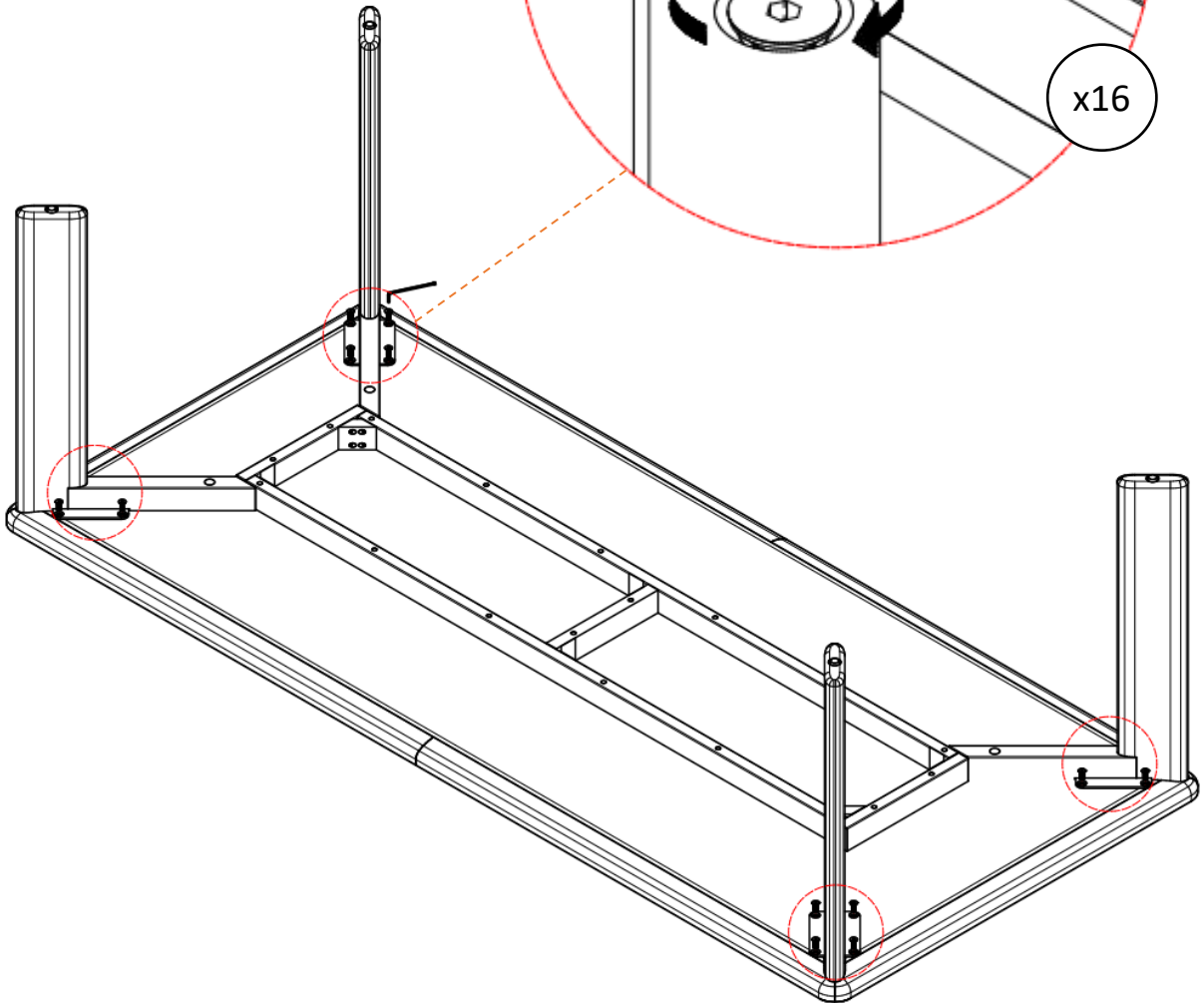
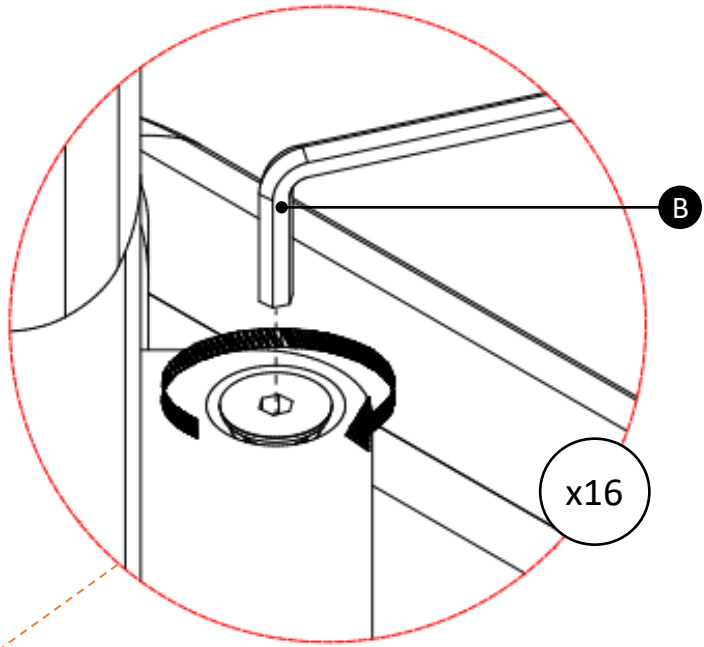


Place the table on a soft surface to prevent scratches.
Be careful not to slide the tabletop while laying it
down, as this may cause damage.

2



3



Once all the legs are in position, fully tighten all the bolts that were previously secured to 80% in Step 1

4

