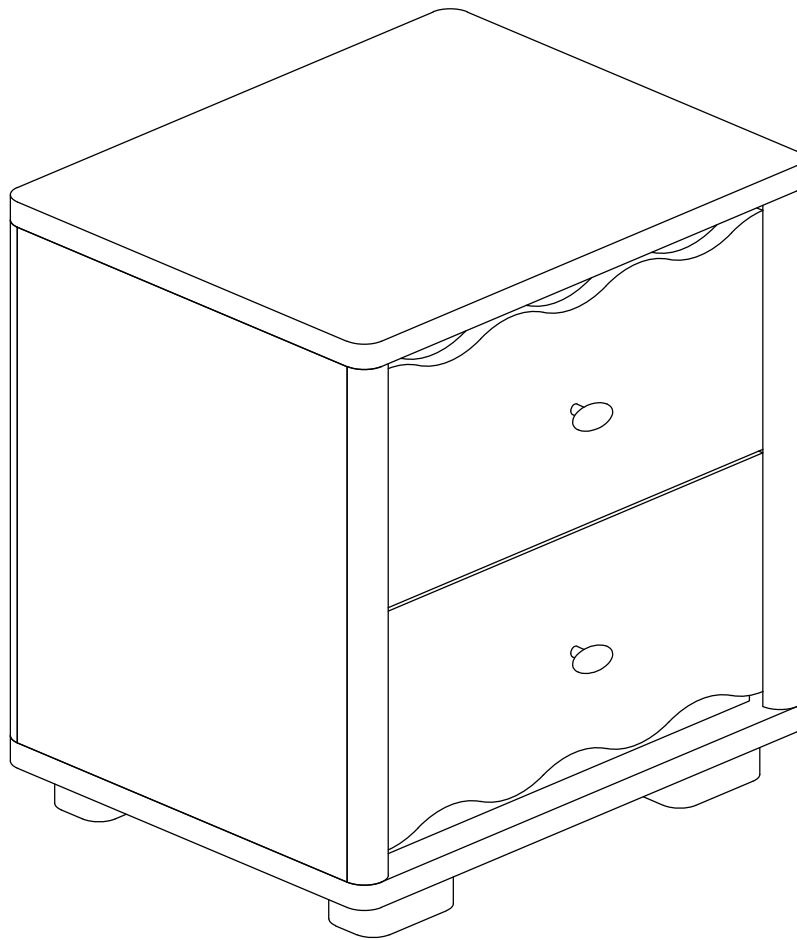


ARTICLE.

VERSION 1.0

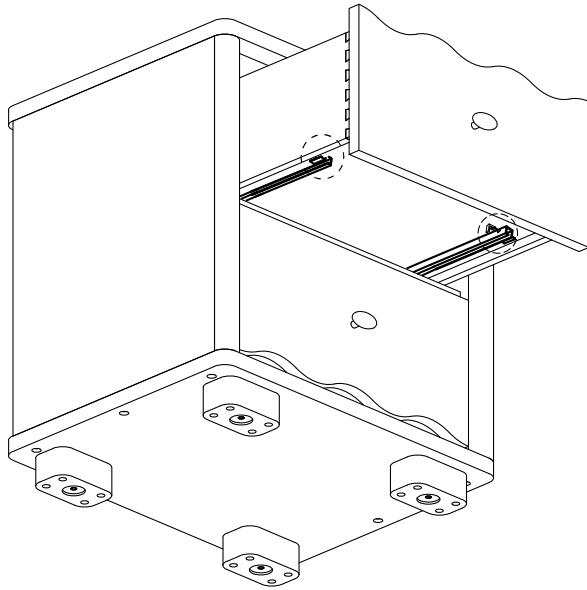
Drawer Adjustment Instructions



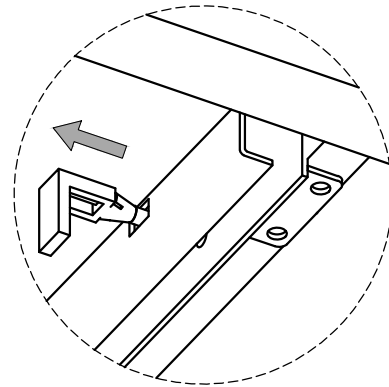
BOE

2-Drawer Nightstand

FIX A CROOKED DRAWER

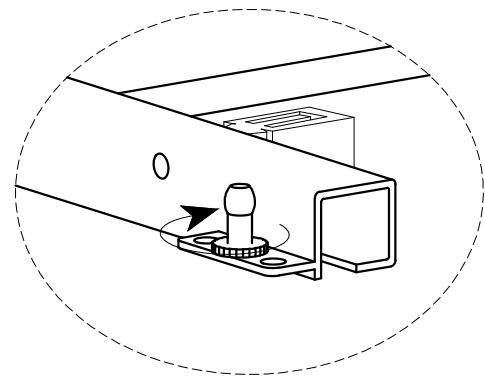
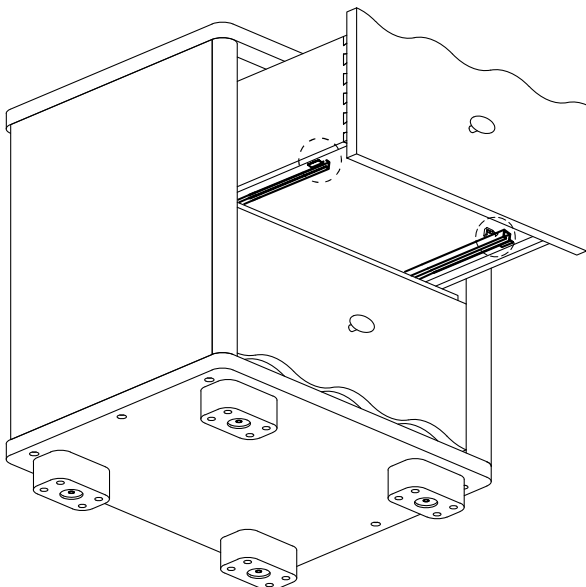


! During shipping, the drawers of your cabinet may have shifted slightly. This can easily be corrected by adjusting the drawers' glides.

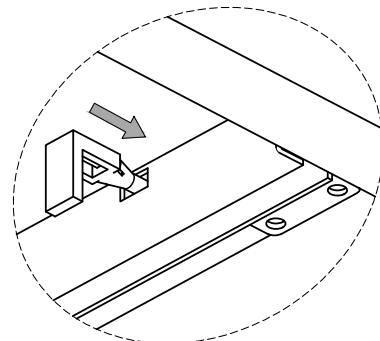


! Pull out the drawer and unlock the trigger on the side needs to be adjusted.

If the drawer needs to be raised:

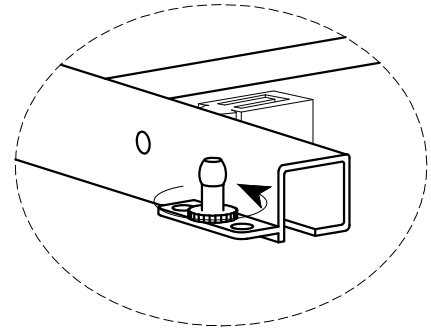
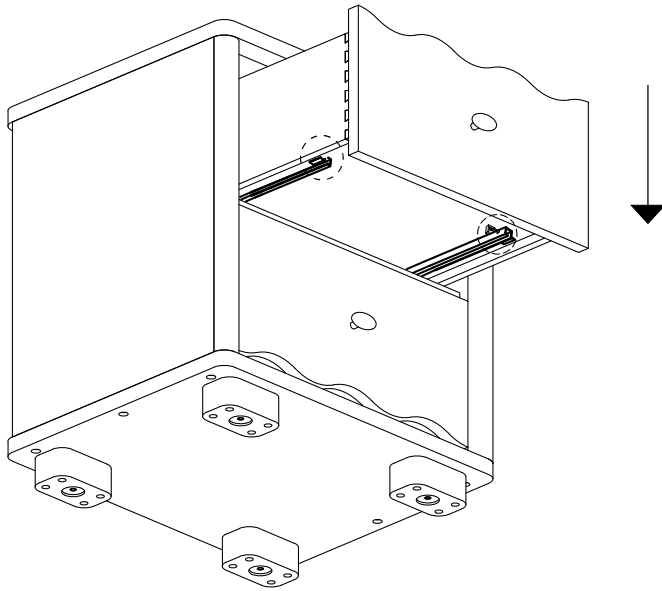


! Rotate the adjustment wheel on the drawer glides as the direction of the arrow.

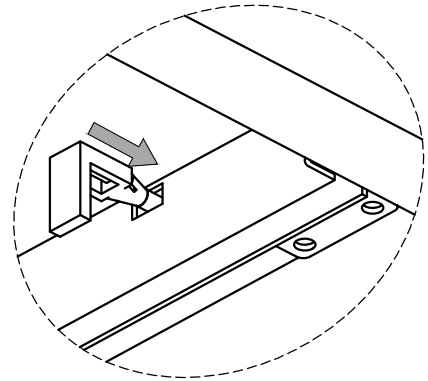


! Lock the trigger after adjustment.

If the drawer needs to be raised:

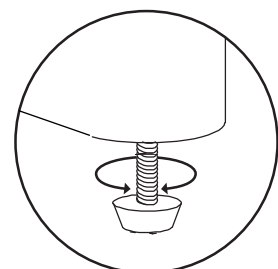
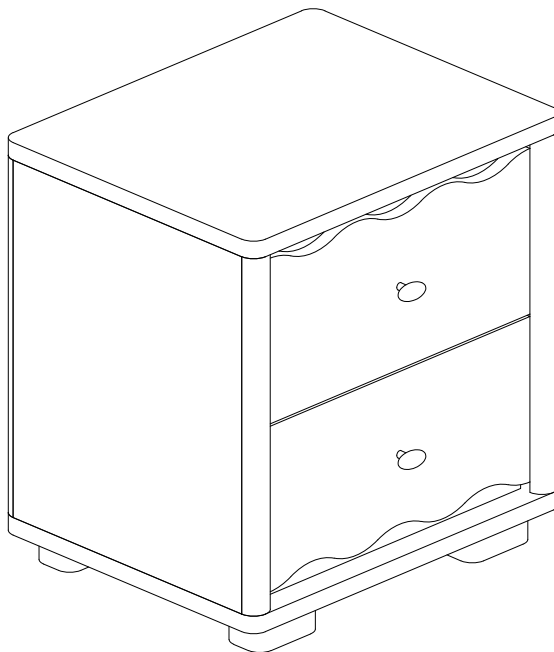


! Rotate the adjustment wheel on the drawer glides as the direction of the arrow.



! Lock the trigger after adjustment.

LEVELER ADJUSTMENT



! Adjust levelers as needed.