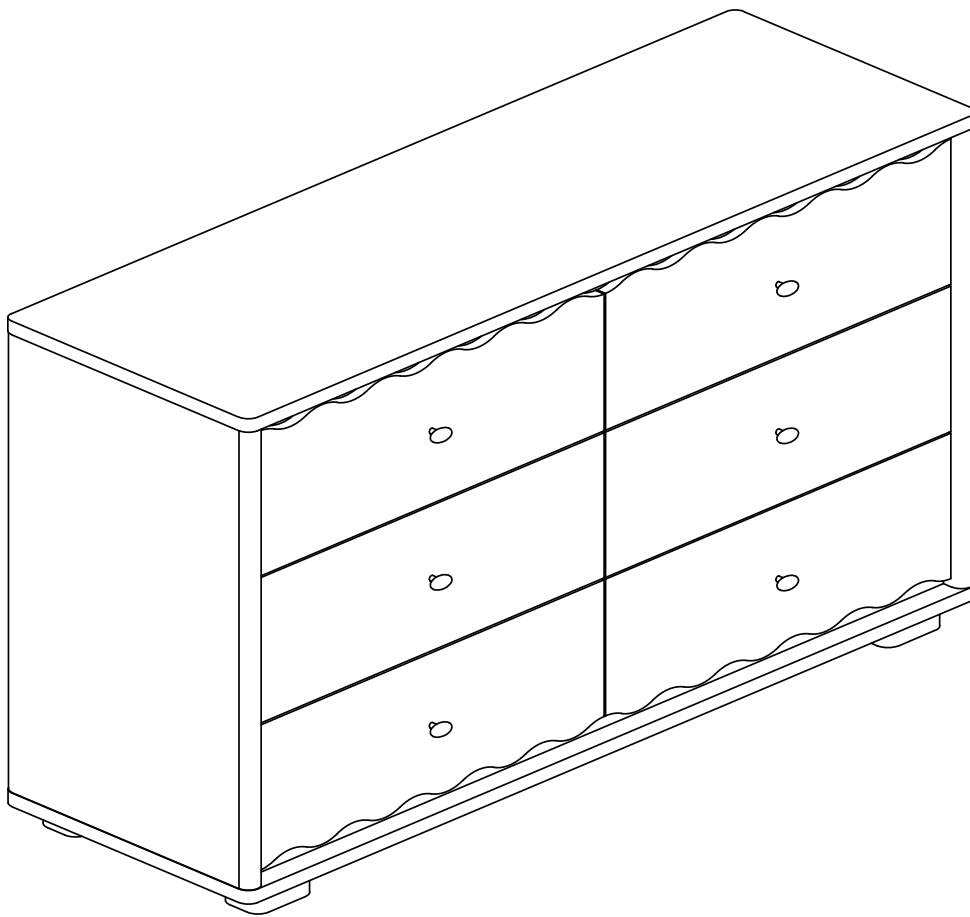


# ARTICLE.

VERSION 1.0

## Drawer Adjustment Instructions



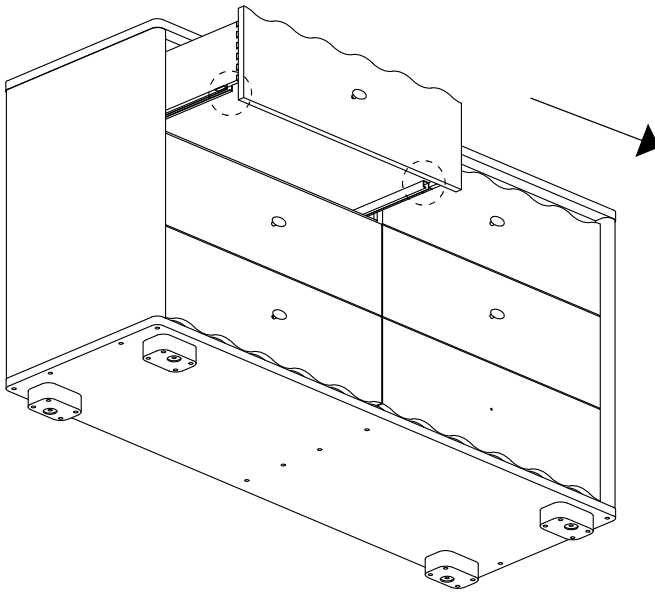
# BOE

6 - Drawer Double Dresser

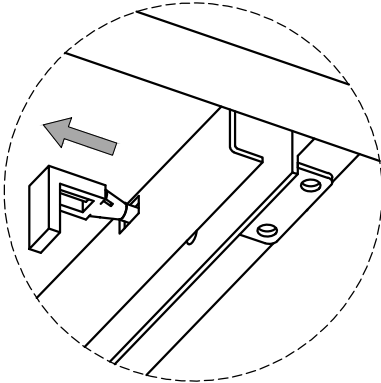
FIX A CROOKED DRAWER

---

If the drawer needs to be raised:

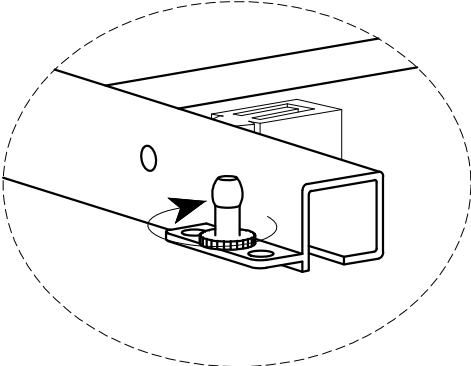
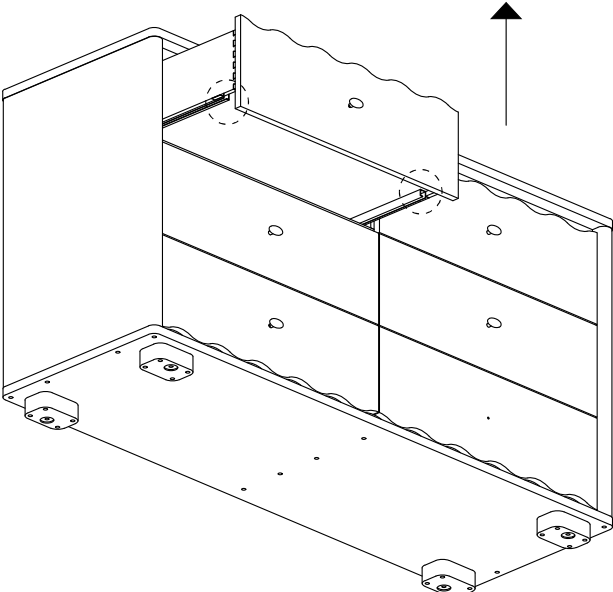


! During shipping, the drawers of your cabinet may have shifted slightly. This can easily be corrected by adjusting the drawers' glides.

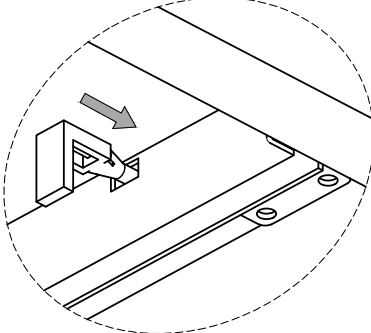


! Pull out the drawer and unlock the trigger on the side needs to be adjusted.

If the drawer needs to be raised:

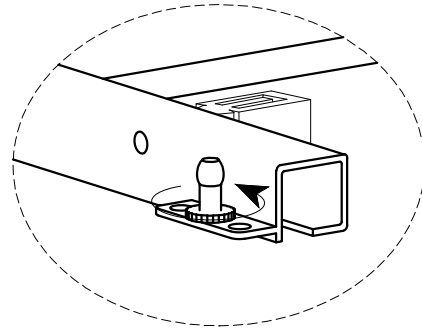
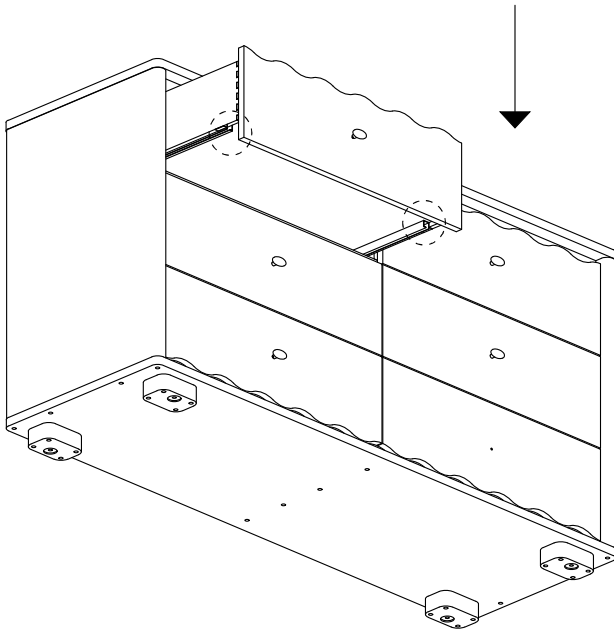


! Rotate the adjustment wheel on the drawer glides as the direction of the arrow.

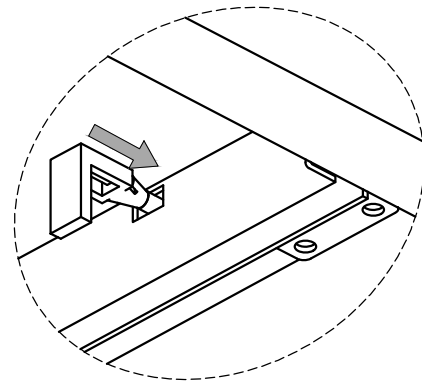


! Lock the trigger after adjustment.

If the drawer needs to be raised:

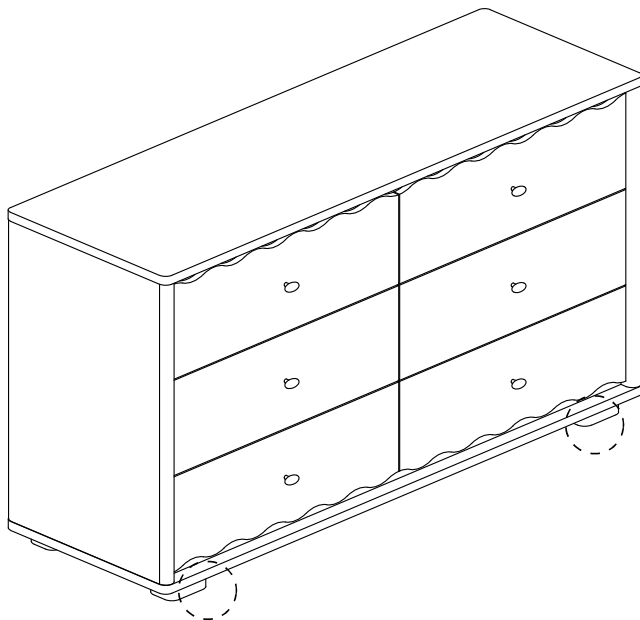


! Rotate the adjustment wheel on the drawer glides as the direction of the arrow.

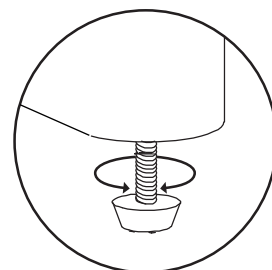


! Lock the trigger after adjustment.

LEVELER ADJUSTMENT



**CAUTION!**  
Please take care when lifting, this unit is heavy! Do not drag the unit when moving, must be lifted to prevent damaging the legs!



! Adjust levelers as needed.

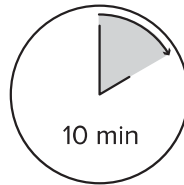


## ANTI-TIP RESTRAINT INSTALLATION

### WARNING!

Children have died from furniture tipover.  
To reduce the risk of furniture tipover:

- ALWAYS install tipover restraint provided.
- NEVER put a TV on this product.
- NEVER allow children to stand, climb or hang on drawers, doors, or shelves.
- NEVER open more than one drawer at a time.
- Place heaviest items in the lower drawers.

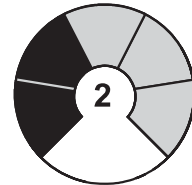


10 min

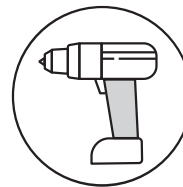
TIME



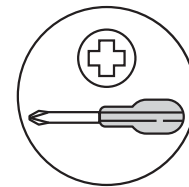
# OF PEOPLE




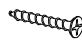



DIFFICULTY



REQUIRED TOOL  
8MM / 5/16" DRILL BIT



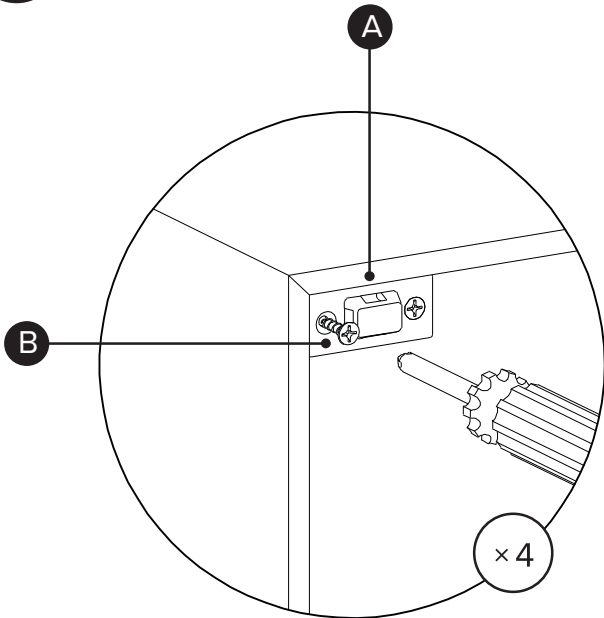
REQUIRED TOOL

PARTS INVENTORY			
ID	DESCRIPTION		QTY
<b>A</b>	BRACKET		4
<b>B</b>	M4 × 20MM SCREW		4
<b>C</b>	M8 × 51MM PLUG		4
<b>D</b>	M6 × 70MM SCREW		4
<b>E</b>	STRAP		2



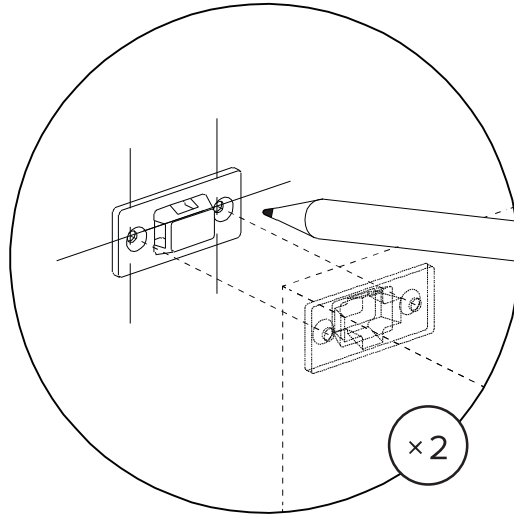
Hardware (C/D) to attach brackets to wall is designed for drywall. To attach this unit to another type of wall, consult with your local hardware store.

1



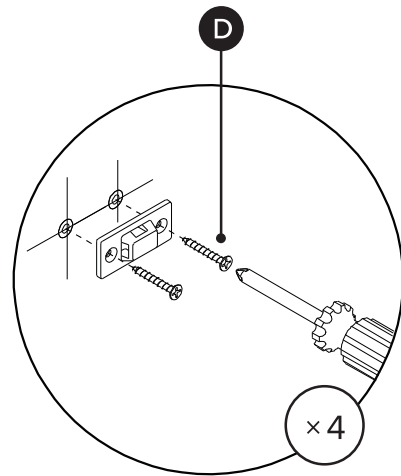
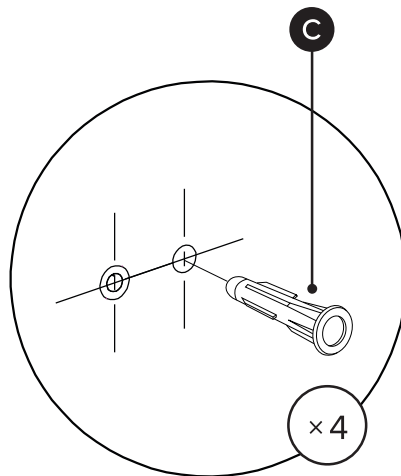
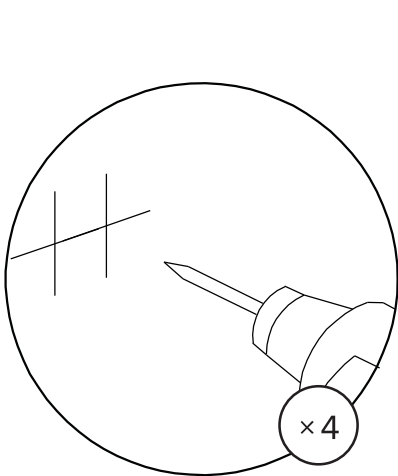
Attach pair of brackets to top corners of the back of the unit.

2



Mark on wall where second pair of brackets should be placed.

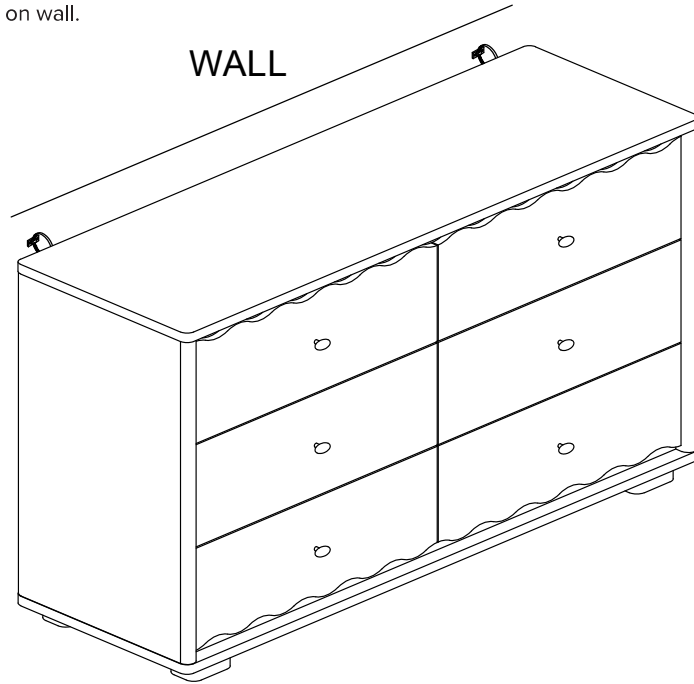
3



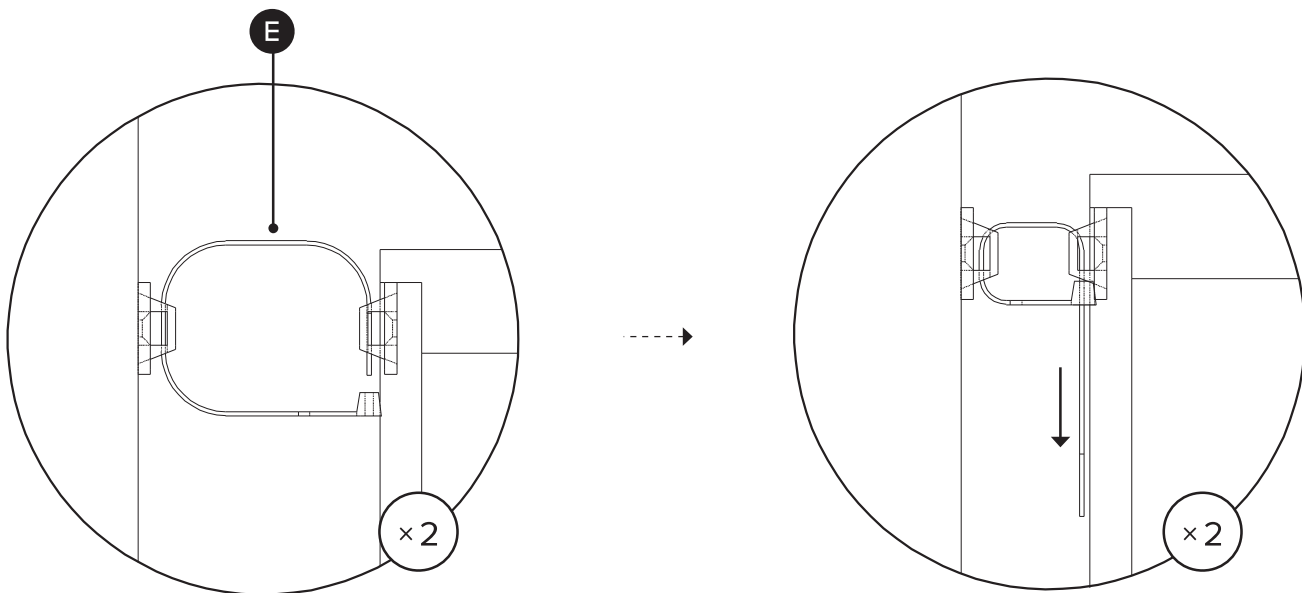
Drill holes in wall using 8mm / 5/16" drill bit.

4A

Align brackets on unit with brackets on wall.



4B



Pull strap down until it snap-locks.