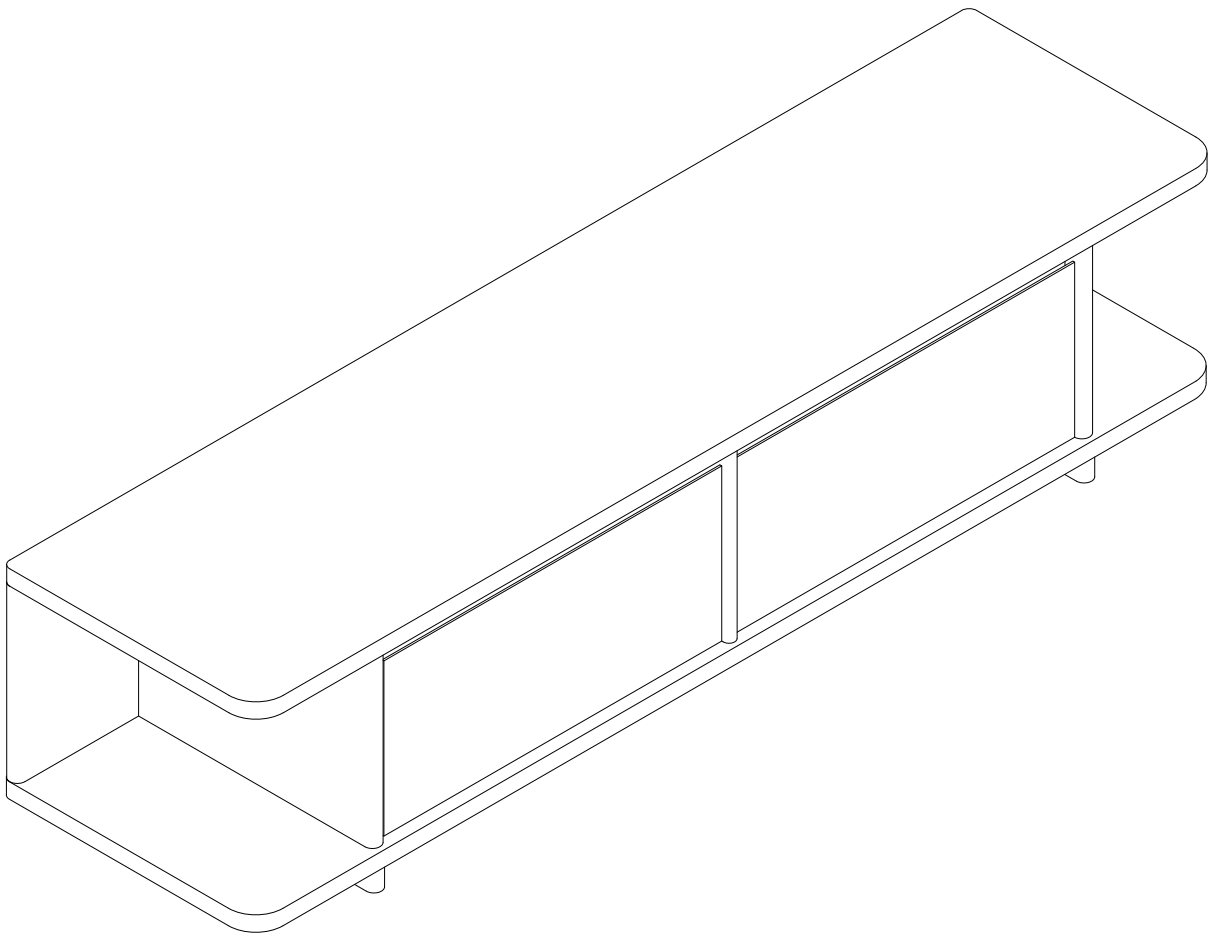


# ARTICLE.

VERSION 1.0

## Assembly Instructions



# JUDITH

63" Low Media Unit

## ASSEMBLY INSTRUCTIONS

Read these instructions carefully and keep for future reference. Refer to parts inventory for guidance, and ensure you have all pieces before starting.

When assembling, place all parts on a soft, clean, and flat surface such as a carpet to prevent scratches.

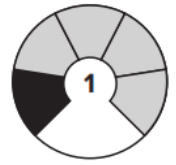
If you're having difficulty, our friendly Customer Care team is always here to help. Call us at 1.888.746.3455 during business hours, email [service@article.com](mailto:service@article.com) or chat live at [article.com](http://article.com).



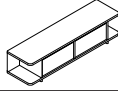
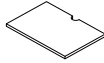
TIME



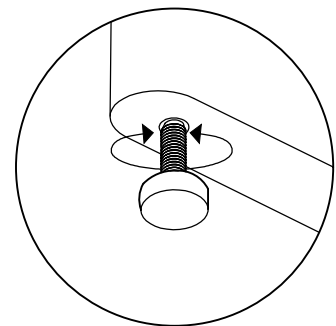
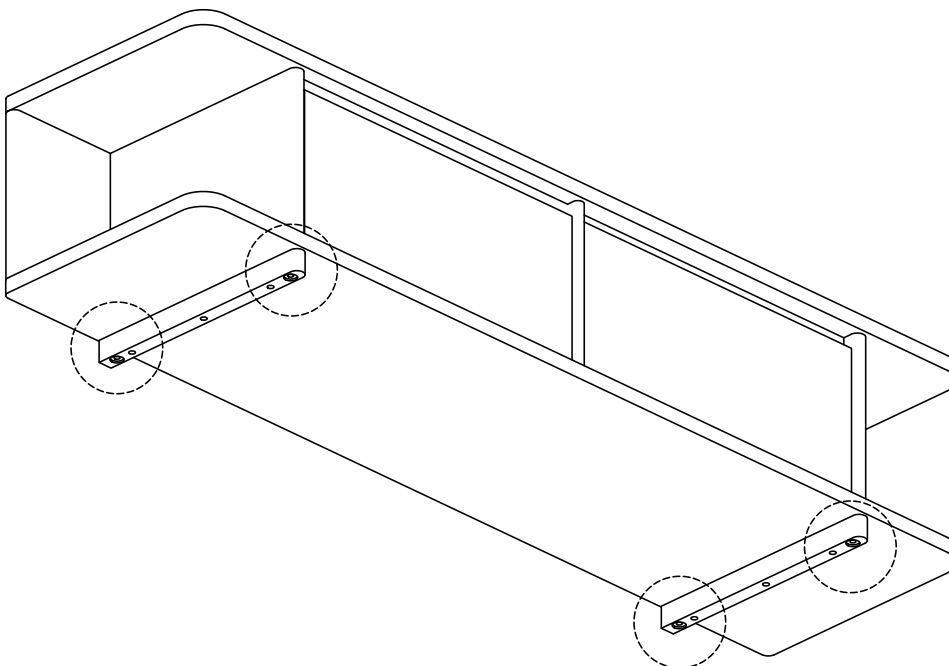
# OF PEOPLE



DIFFICULTY

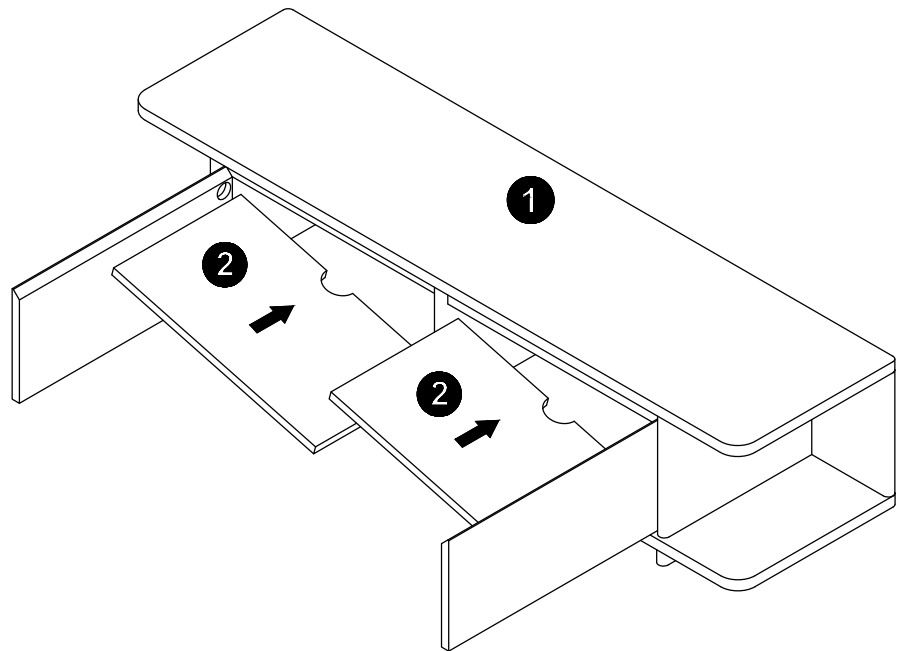
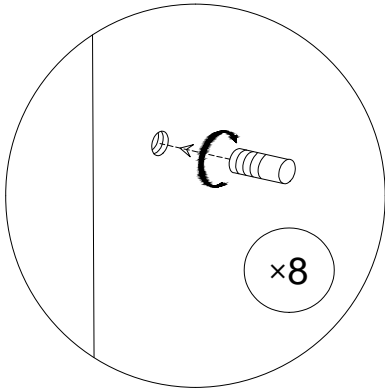
PARTS INVENTORY		
ID	DESCRIPTION	QTY
1	MEDIA UNIT 	1
2	SHELF 	2

1



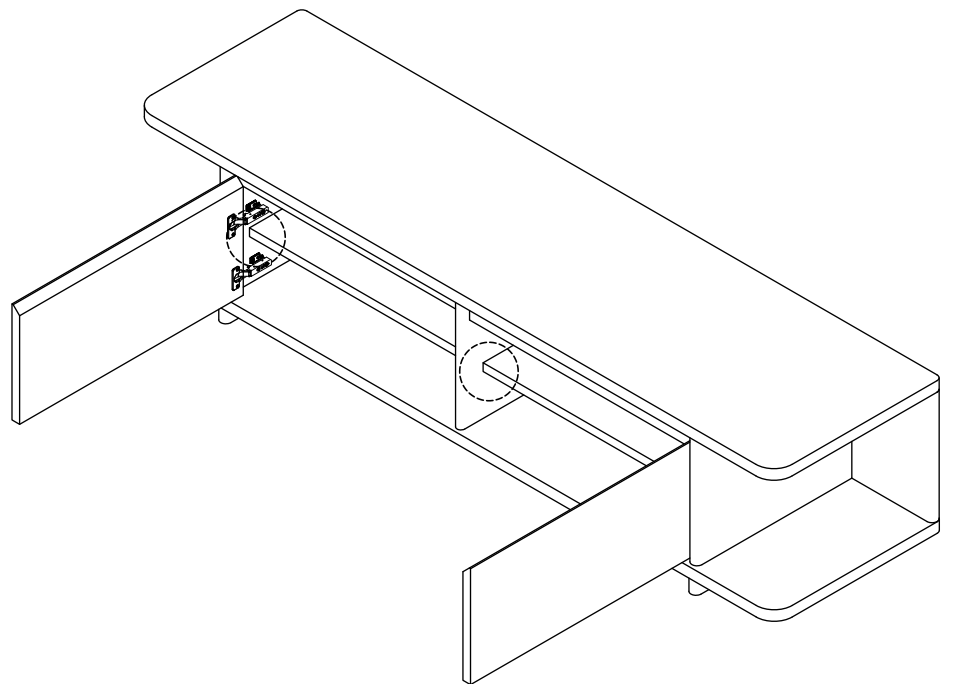
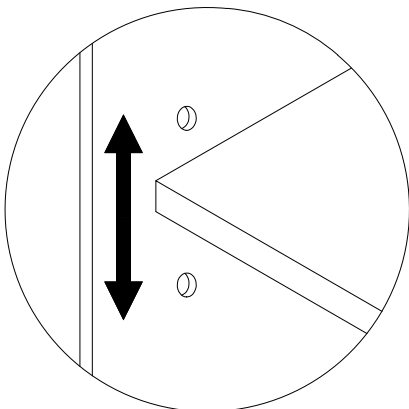
! Adjust levelers as needed

2



! Insert shelves pin and secure shelves on pins

3

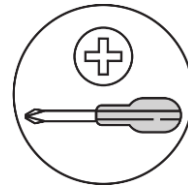


! Adjust shelf pin and shelf (s) at desired height up or down:

4

DOOR ADJUSTMENT INSTRUCTIONS

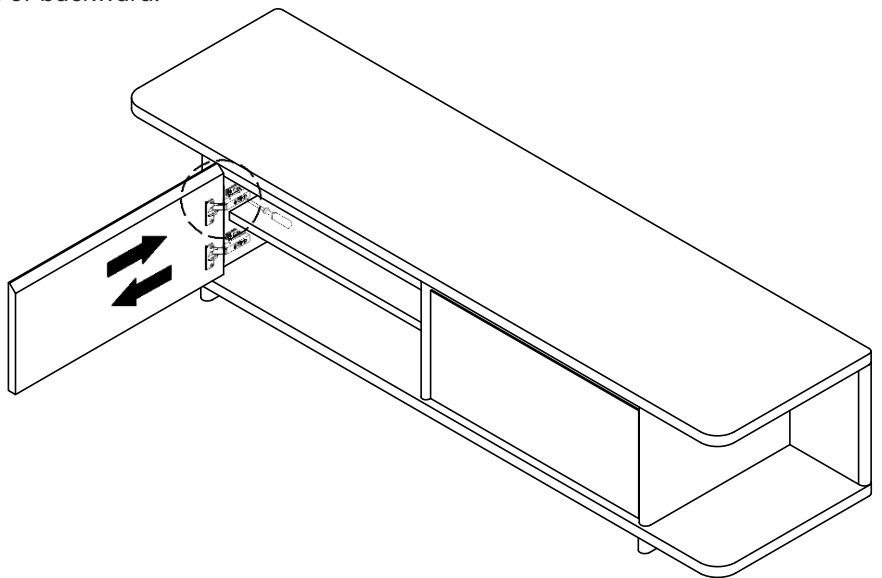
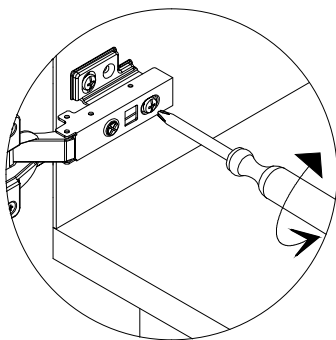
! During shipping, the doors of your cabinet may have shifted slightly. This can easily be corrected by tightening a few screws. Always start by adjusting the top hinge on the affected door



REQUIREDTOOL

4A

If the door needs adjustment forward or backward:



4B

If the door needs adjustment side to side:

