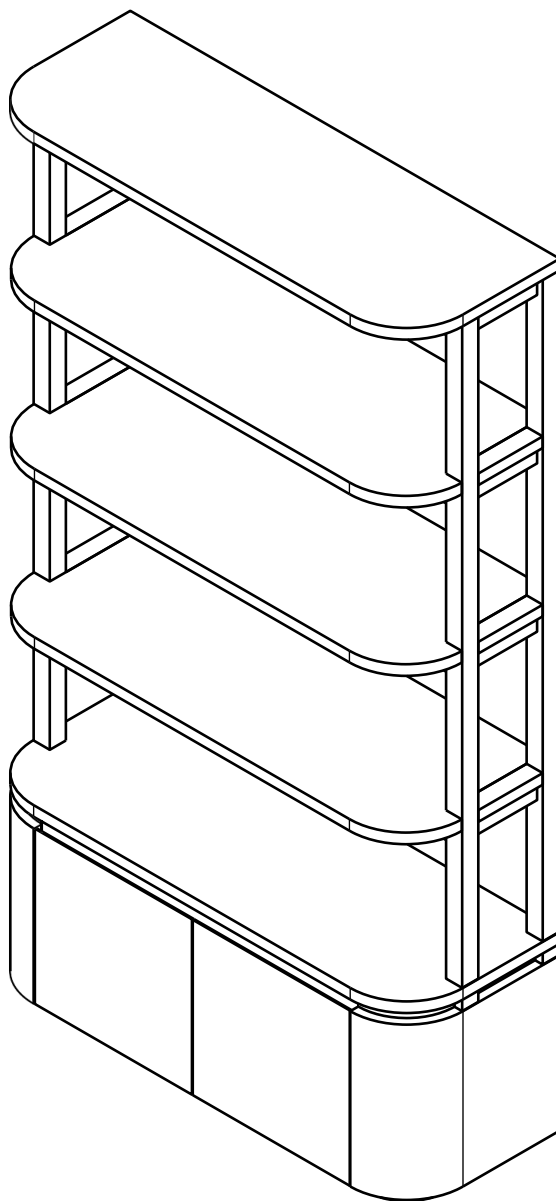


ARTICLE.

VERSION 1.0

Assembly Instructions



MAREN 42''

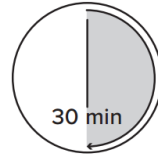
Shelving Unit With Storage Tall

ASSEMBLY INSTRUCTIONS

Read these instructions carefully and keep for future reference. Refer to parts inventory for guidance, and ensure you have all pieces before starting

When assembling, place all parts on a soft, clean, and flat surface such as a carpet to prevent scratches.

If you're having difficulty, our friendly Customer Care team is always here to help. Call us at 1.888.746.3455 during business hours, email service@article.com or chat live at article.com



TIME











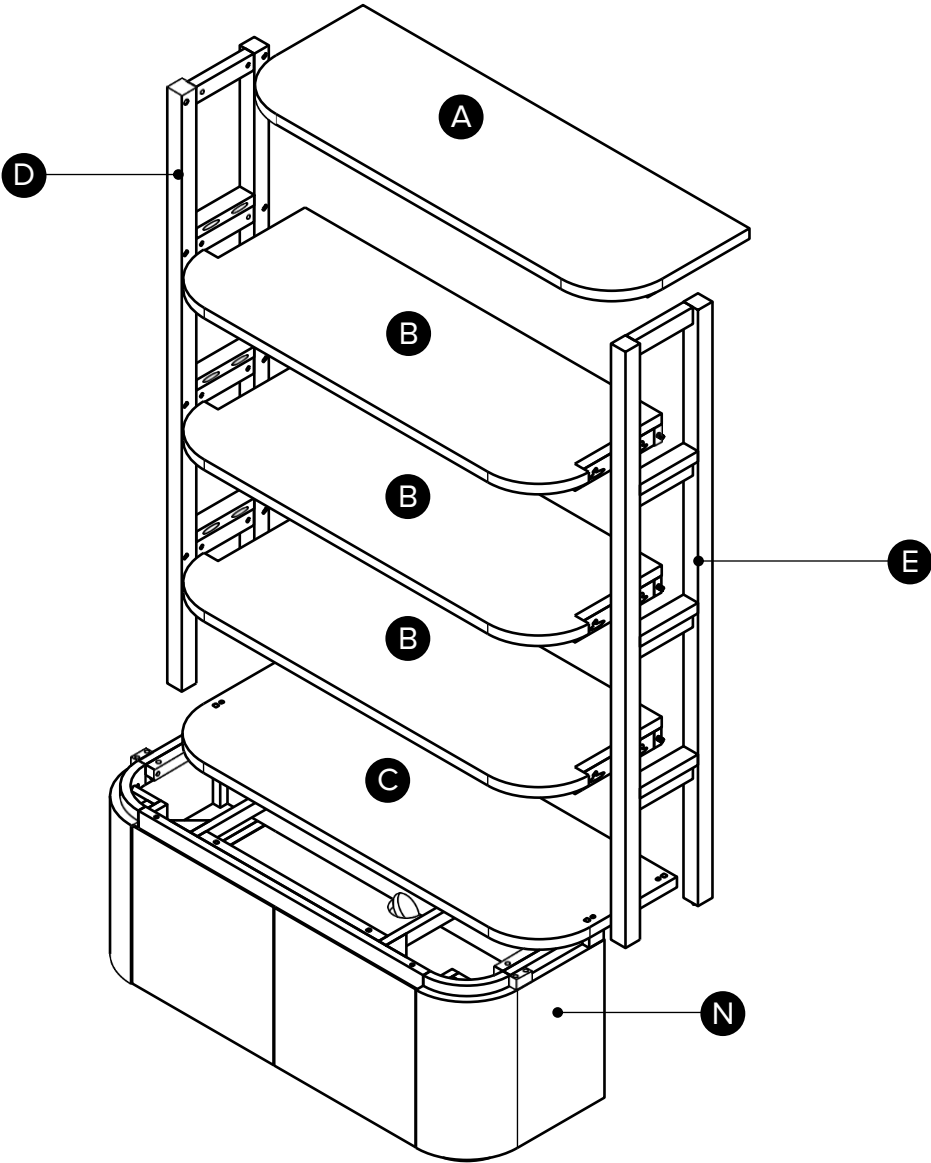
OF PEOPLE



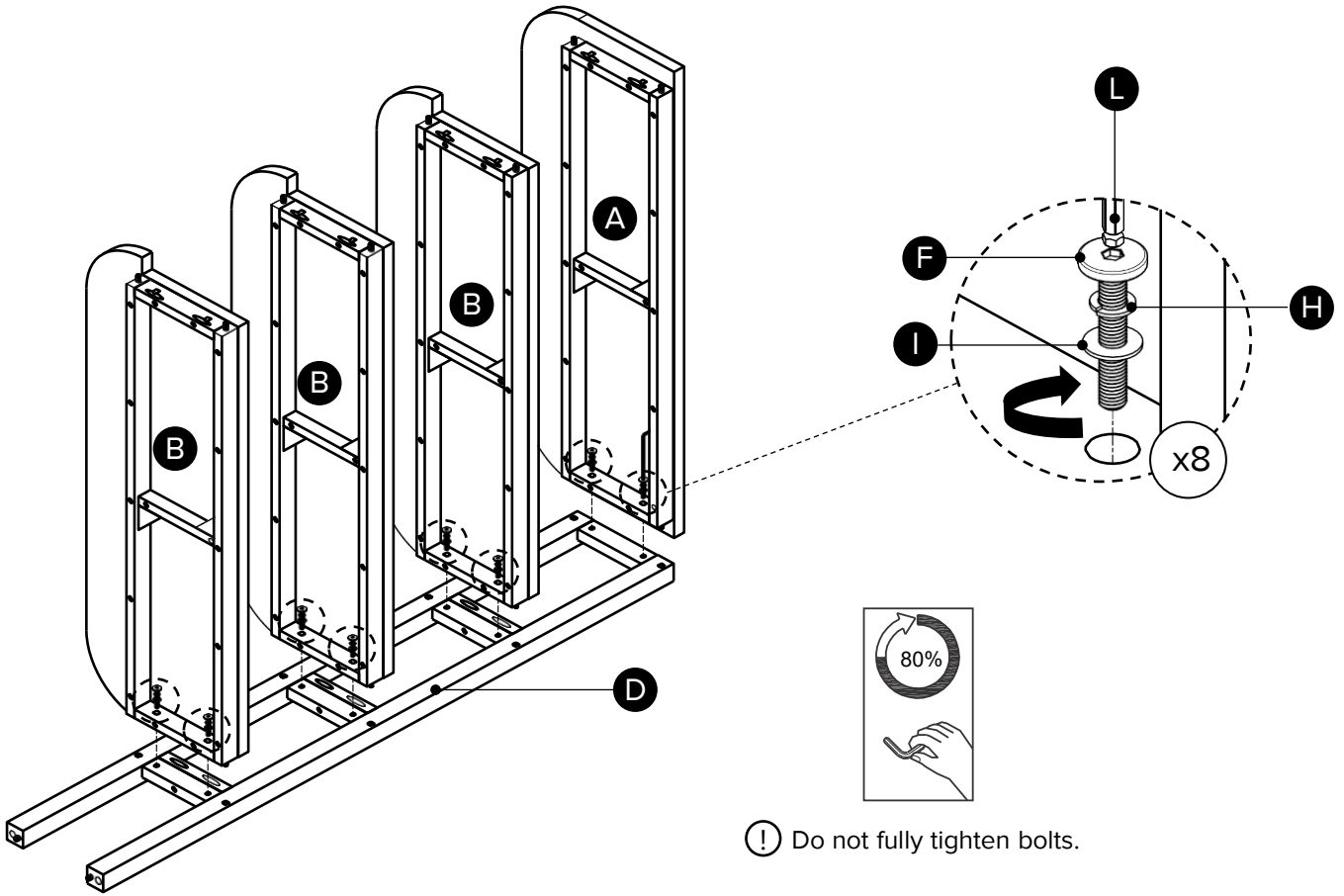
DIFFICULTY

PARTS INVENTORY		
ID	DESCRIPTION	QTY
A	TOP SHELF	1
B	MIDDLE SHELF	3
C	BOTTOM SHELF	1
D	LEG FRAME LEFT	1
E	LEG FRAME RIGHT	1
N	CABINET	1

PARTS INVENTORY		
ID	DESCRIPTION	QTY
F	M6 x 40MM BOLT 	24
G	M8 x 50MM BOLT 	4
H	LOCK WASHER M6 	24
I	WASHER M6 	24
J	LOCK WASHER M8 	4
K	WASHER M8 	4
L	ALLEN KEY 	1
M	WOOD DOWEL 	4



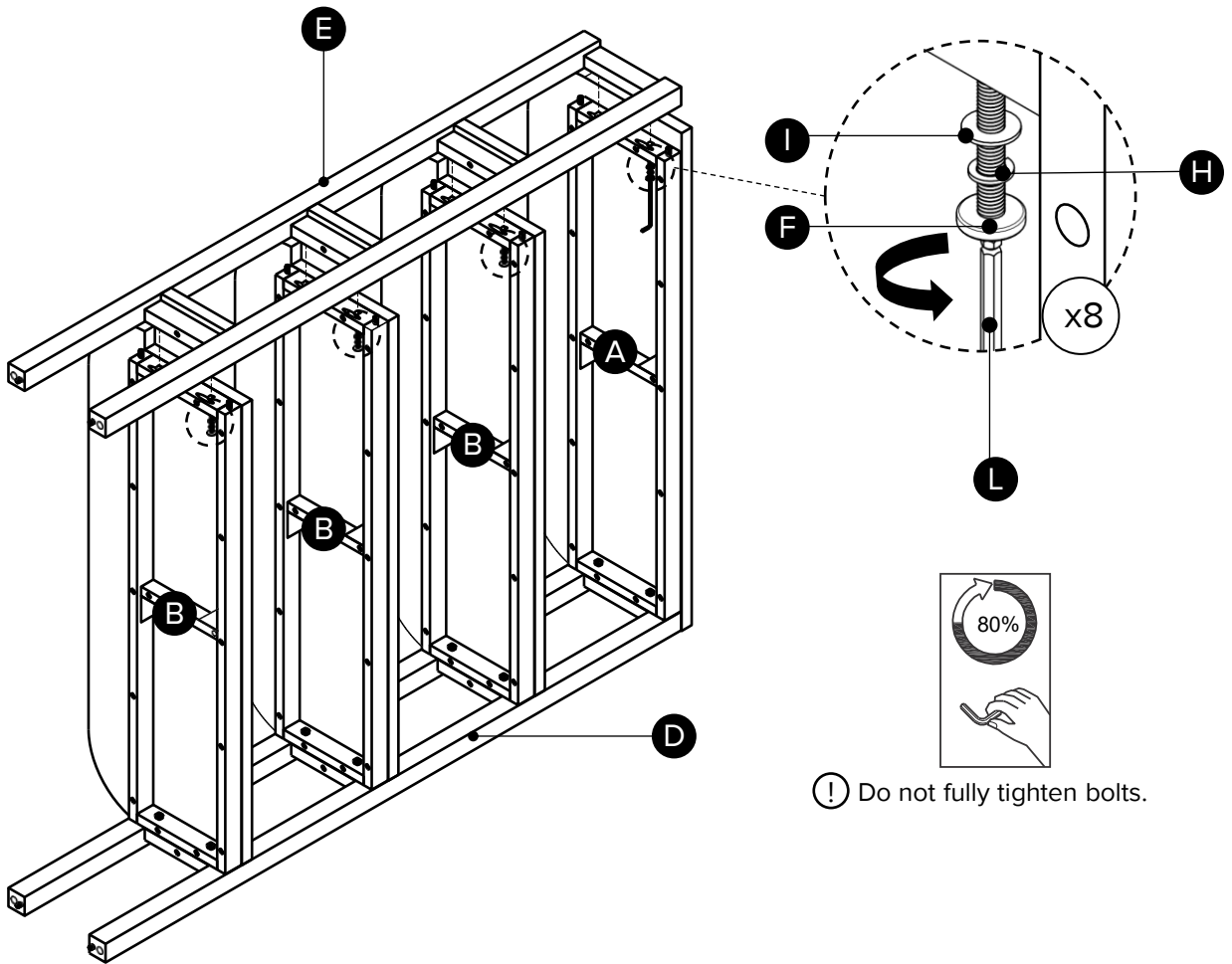
1



⚠ Do not fully tighten bolts.

- ⚠ Ensure the furniture is set on a clean, soft surface to prevent any damage.
- ⚠ Install each cluster in order from top to bottom.
- ⚠ Wood dowels act as locating pins, help position and align two parts accurately during assembly.

2

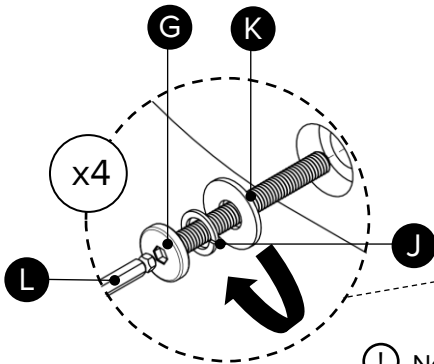
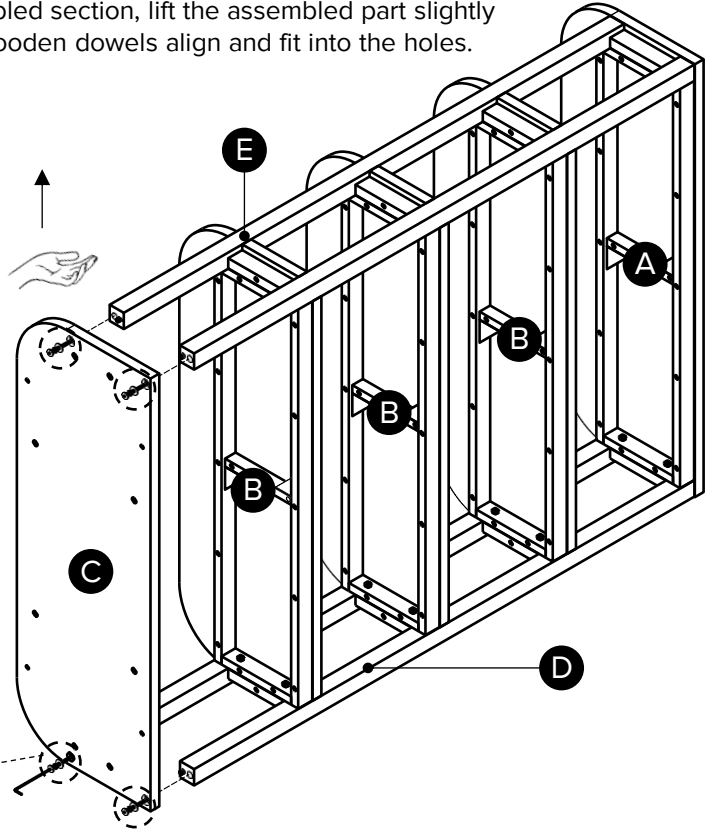


3



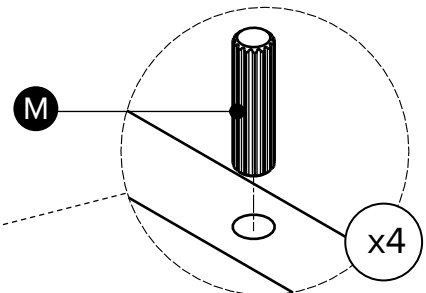
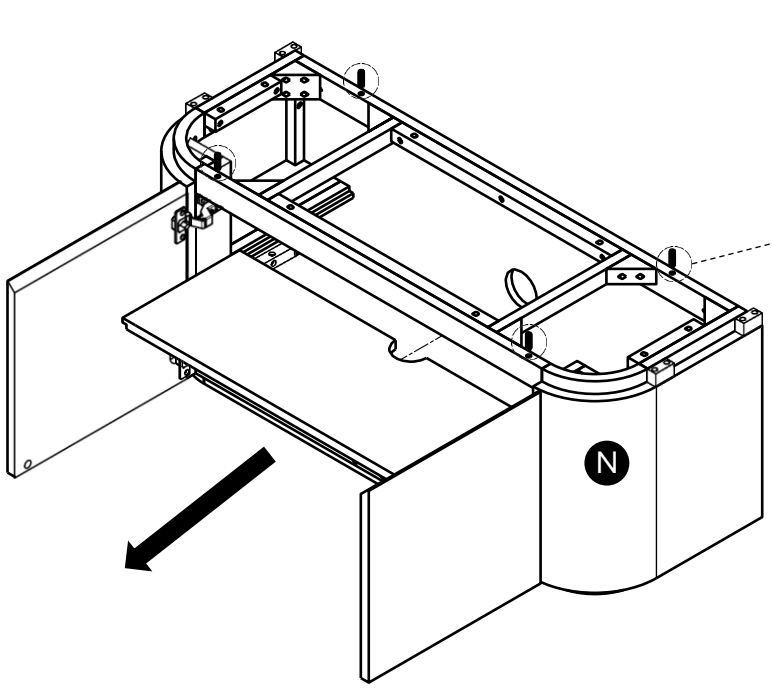
! If you have difficulty inserting the bottom shelf into the assembled section, lift the assembled part slightly until the wooden dowels align and fit into the holes.

! Fully tighten all bolts



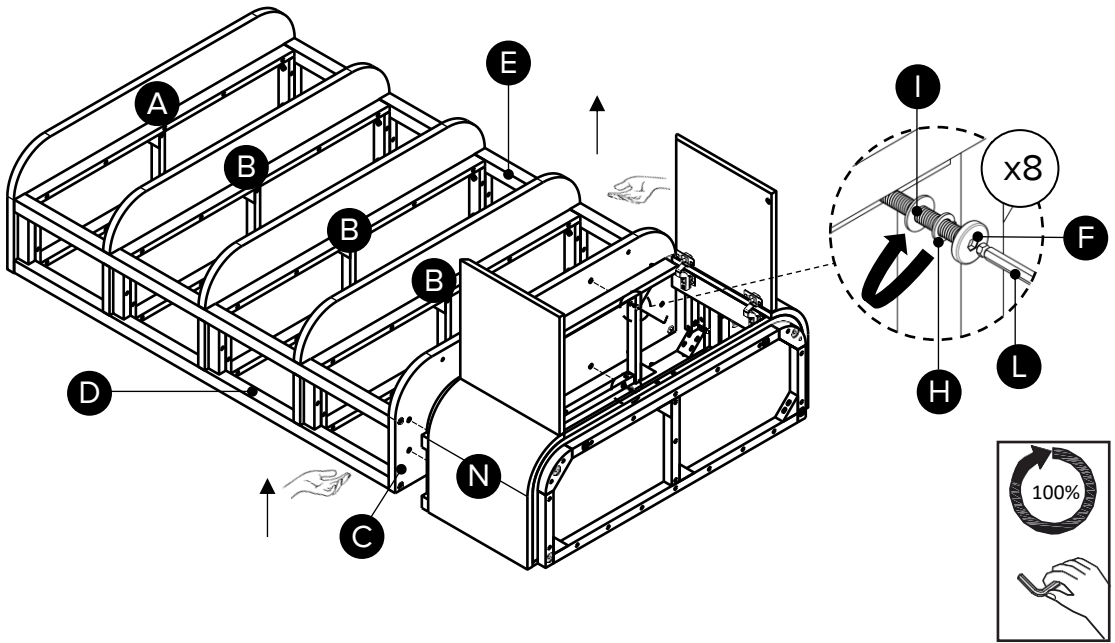
! Now come back to fully tighten all bolts in previous steps.

4



! Wood dowels act as locating pins, help position and align two parts accurately during assembly.

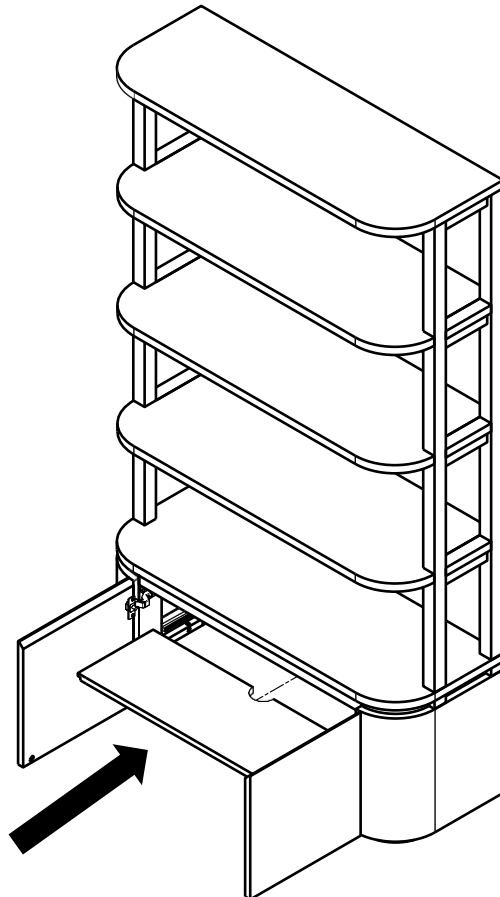
5



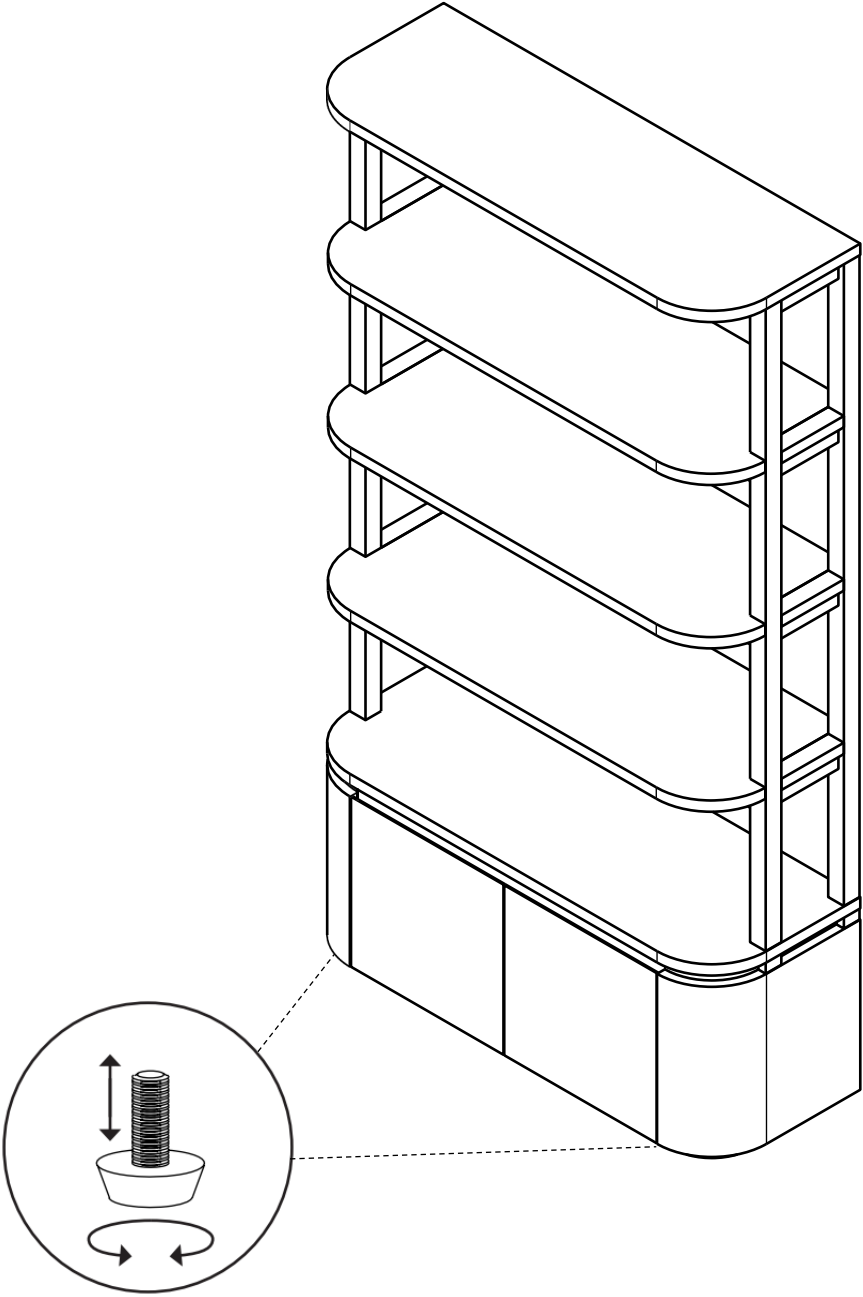
⚠ If you have difficulty inserting the cabinet into the assembled section, lift the assembled part slightly until the wooden dowels align and fit into the holes.

⚠ Fully tighten all bolts.

6



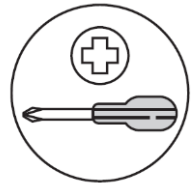
7



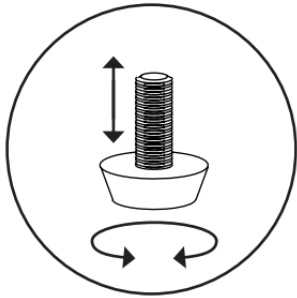
⚠ Adjust the levelers to stabilize the furniture if it is unbalanced

DOOR ADJUSTMENT INSTRUCTIONS

! During shipping, the doors of your cabinet may have shifted slightly. This can easily be corrected by tightening a few screws. Always start by adjusting the top hinge on the affected door.

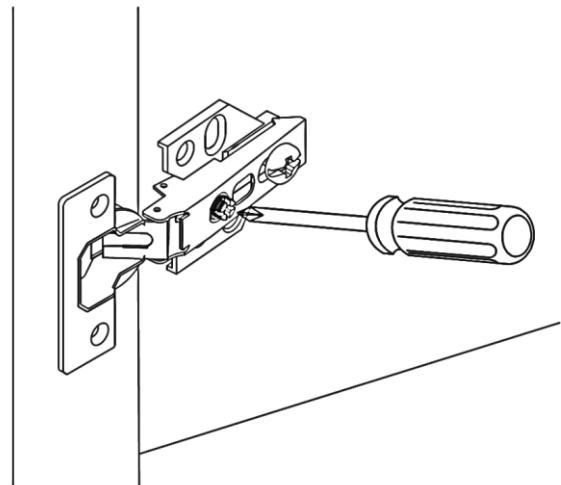
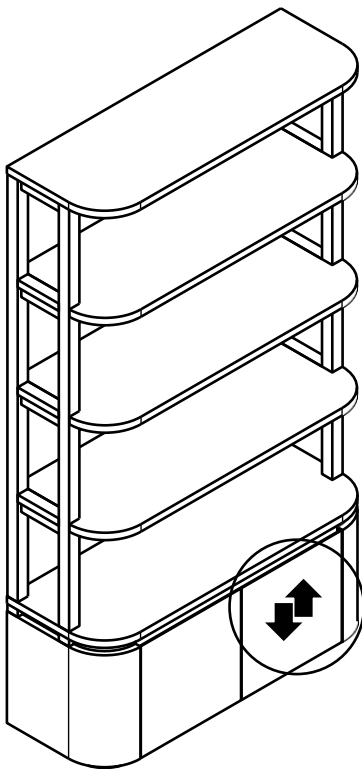


REQUIRED TOOL



! Ensure all levelers adjusted and furniture is balanced.

1A

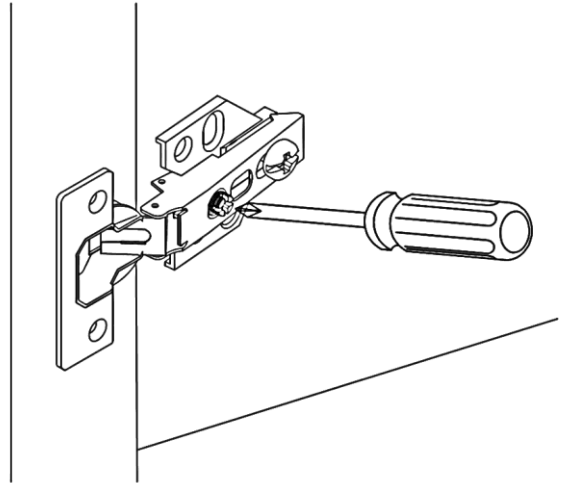
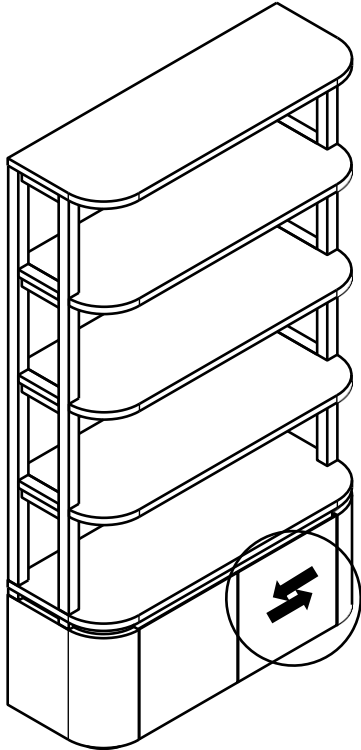


If the door is crooked, adjust hinge(s) up or down:

ARTICLE.

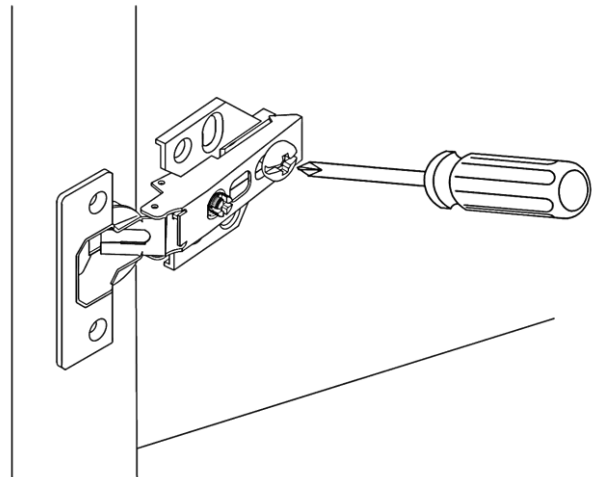
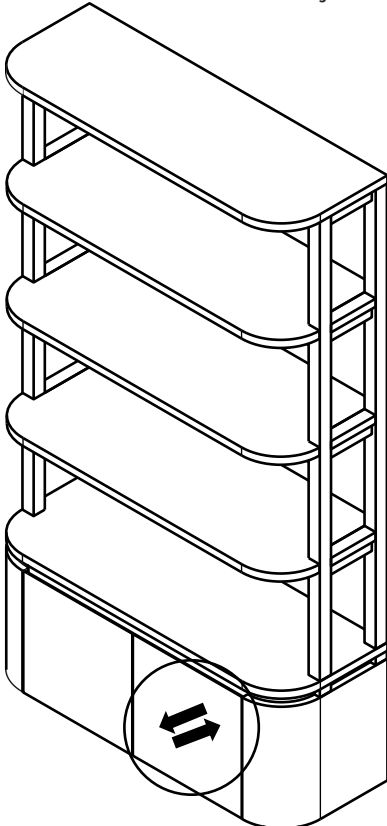
1B

If the door needs adjustment side to side:



1C

If the door needs adjustment forward or backward:





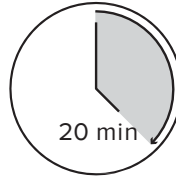
ANTI-TIP RESTRAINT INSTALLATION

! WARNING!

Serious or fatal crushing injuries can occur from furniture tip-over. To help prevent tip-over:

- Install tip-over restraint provided.
- Do not set heavy objects on top of this product, unless the product is specifically designed to accommodate them.
- Never allow children to climb or hang on mirrors, shelves, consoles, or cabinets with doors and/or drawers.

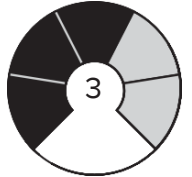
Use of tip-over restraints may only reduce but not eliminate, the risk of tip-over.



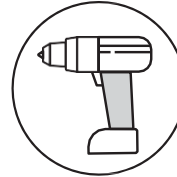
TIME



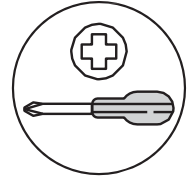
OF PEOPLE






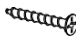

DIFFICULTY



REQUIRED TOOL
8MM / 5/16" DRILL BIT



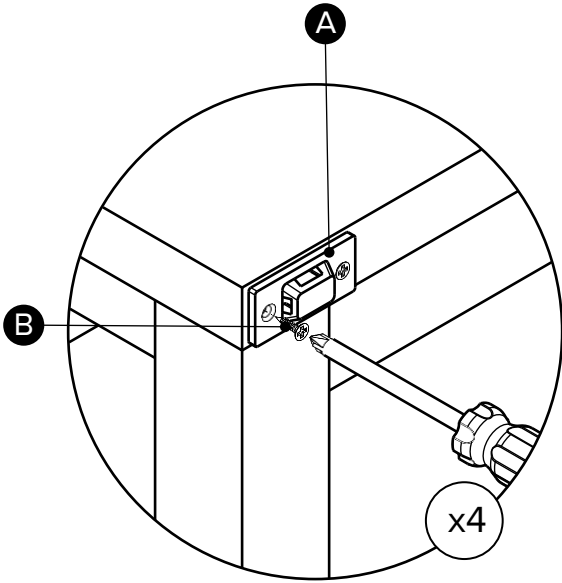
REQUIRED TOOL

PARTS INVENTORY			
ID	DESCRIPTION		QTY
A	BRACKET		4
B	M4 × 20MM SCREW		4
C	M8 × 51MM PLUG		4
D	M6 × 70MM SCREW		4
E	STRAP		2

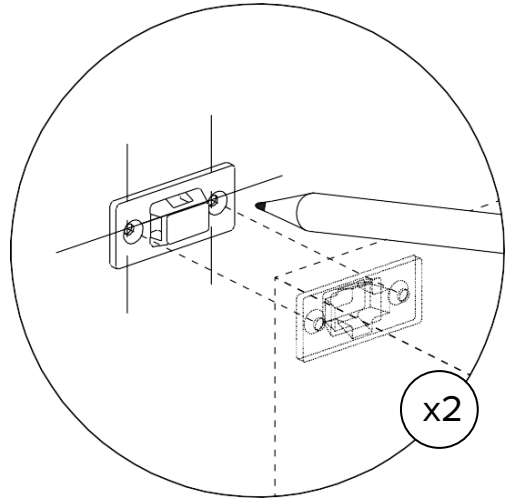
! Hardware (C/D) to attach brackets to wall is designed for drywall. To attach this unit to another type of wall, consult with your local hardware store.

1

2

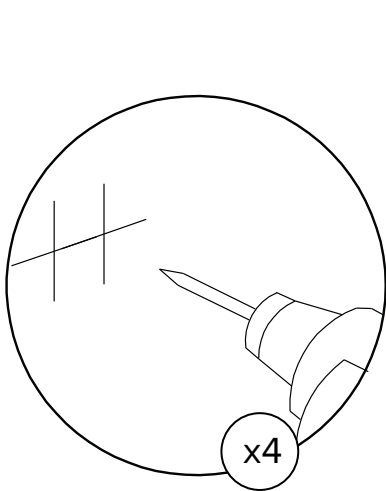


Attach pair of brackets to top corners of the back of the unit.

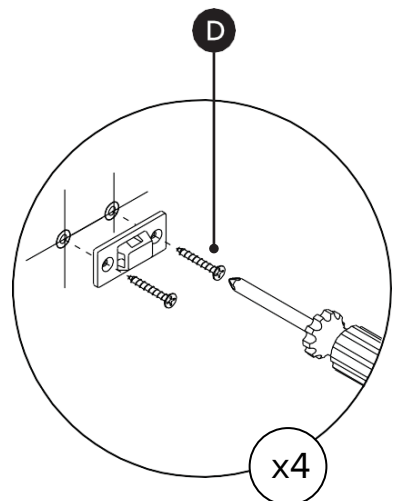
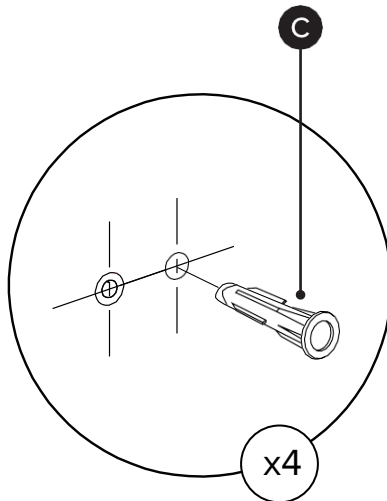


Mark on wall where second pair of brackets should be placed.

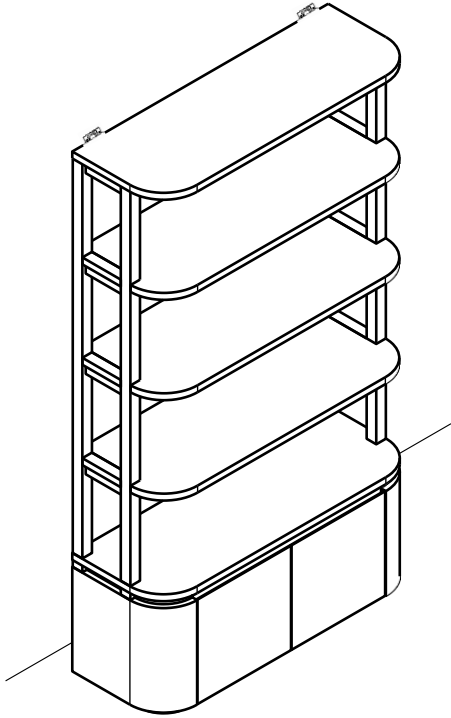
3



Drill holes in wall using 8mm / 5/16" drill bit.

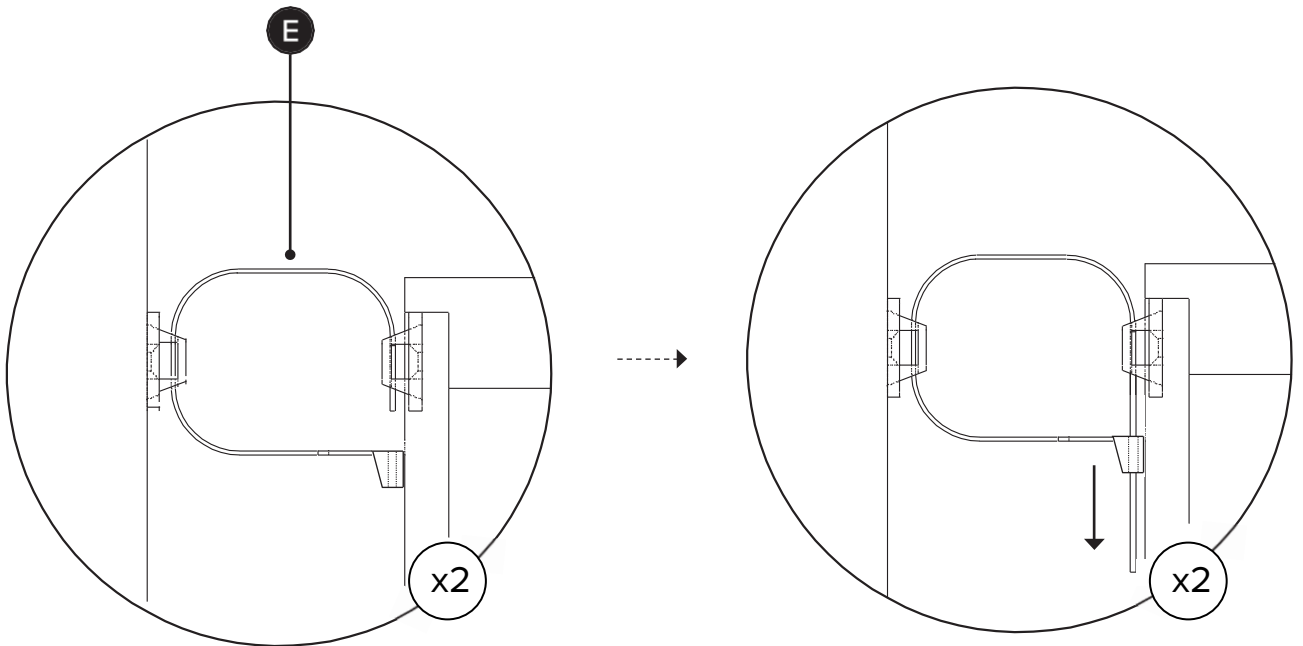


4A



Align brackets on unit with brackets on wall.

4B



Pull strap down until it snap-locks.