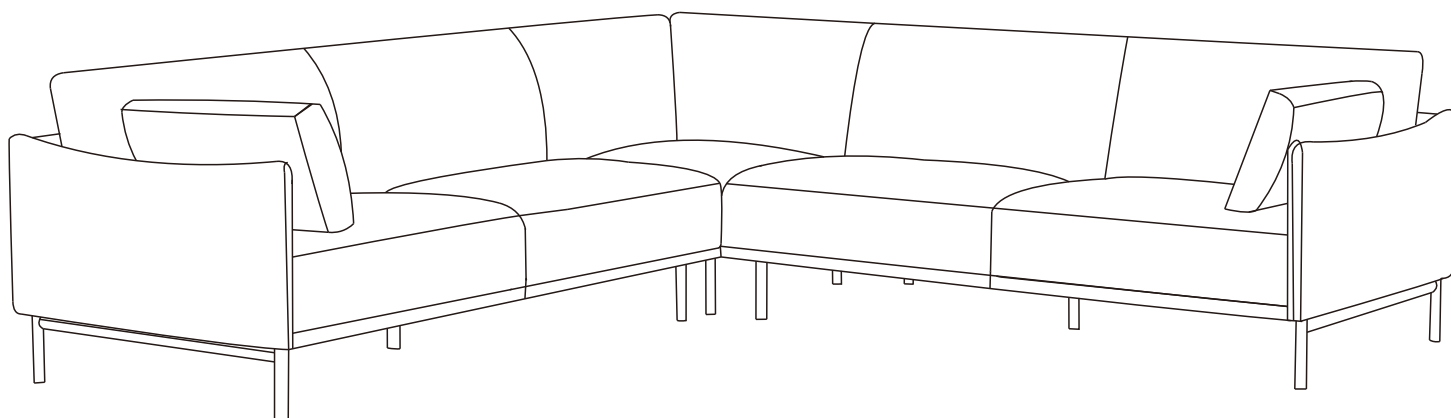


# ARTICLE.

VERSION 1.0

## Assembly Instructions



# OLSEN

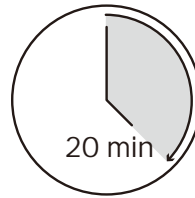
110" Corner Sectional

## ASSEMBLY INSTRUCTIONS

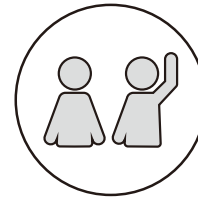
Read these instructions carefully and keep for future reference. Refer to parts inventory for guidance, and ensure you have all pieces before starting.

When assembling, place all parts on a soft, clean, and flat surface such as a carpet to prevent scratches.

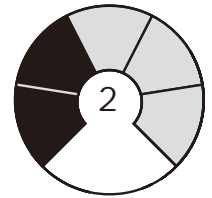
If you're having difficulty, our friendly Customer Care team is always here to help. Call us at 1.888.746.3455 during business hours, email [service@article.com](mailto:service@article.com) or chat live at [article.com](https://www.article.com).



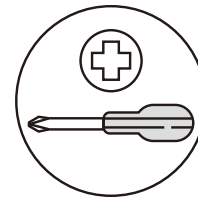
TIME







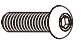



# OF PEOPLE



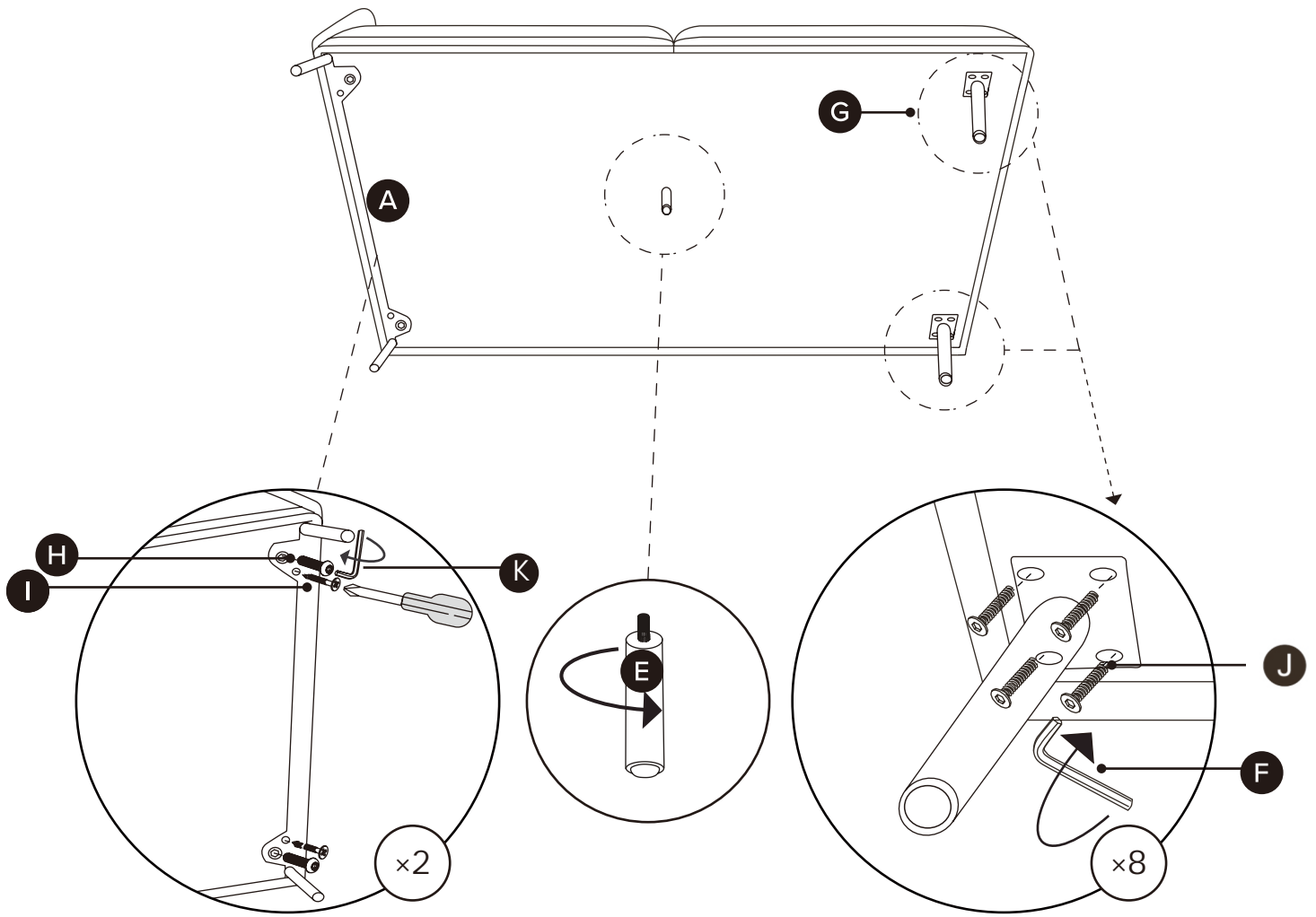
DIFFICULTY



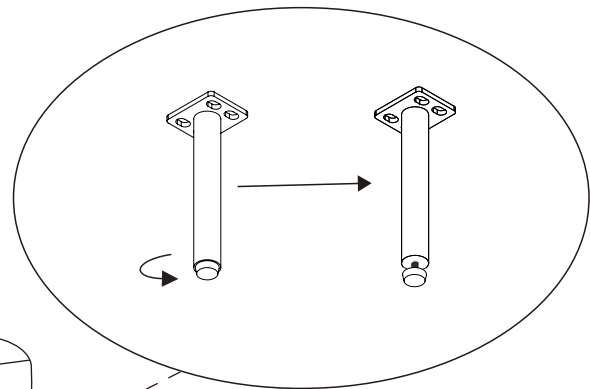
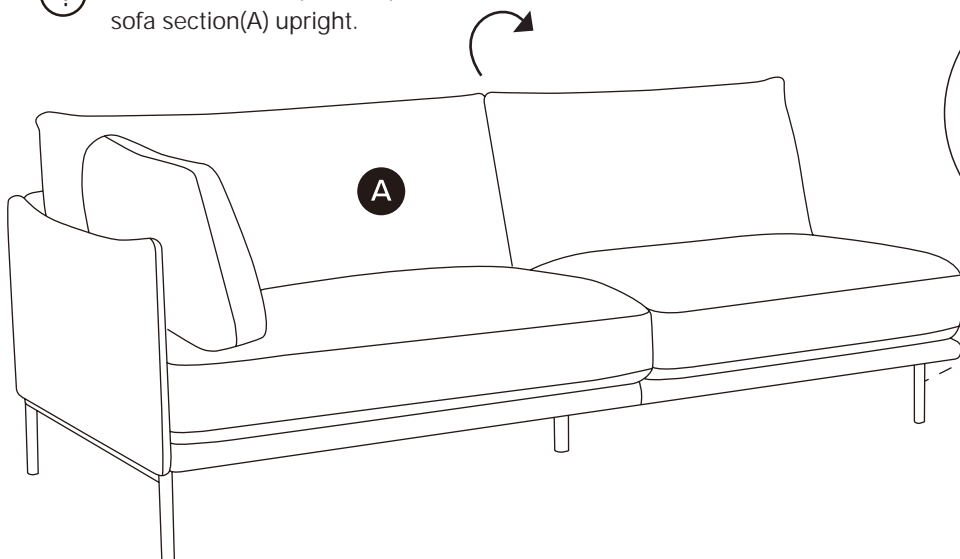
REQUIRED TOOL

PARTS INVENTORY		
ID	DESCRIPTION	QTY
<b>A</b>	LEFT ARM SOFA SECTION	1
<b>B</b>	RIGHT ARM SOFA SECTION	1
<b>C</b>	CORNER	1
<b>D</b>	METAL LEG BAR 	2
<b>E</b>	CENTER LEG 	2
<b>F</b>	SMALL ALLEN KEY 	3
<b>G</b>	SINGLE METAL LEG 	8
<b>H</b>	M10×25MM BOLT 	4
<b>I</b>	M5×40MM SCREW 	4
<b>J</b>	M6×30MM BOLT 	32
<b>K</b>	LARGE ALLEN KEY 	2

1

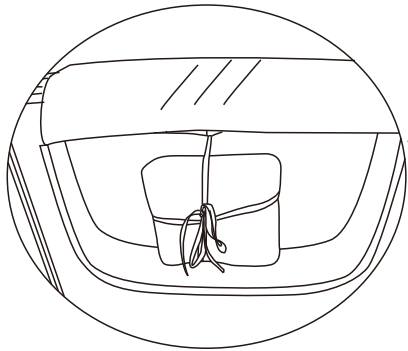


! Once bolts are in place, flip sofa section(A) upright.

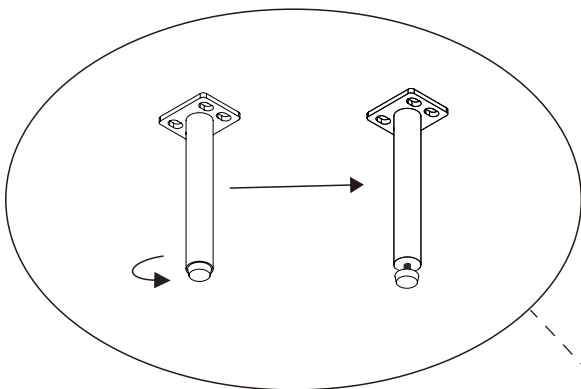
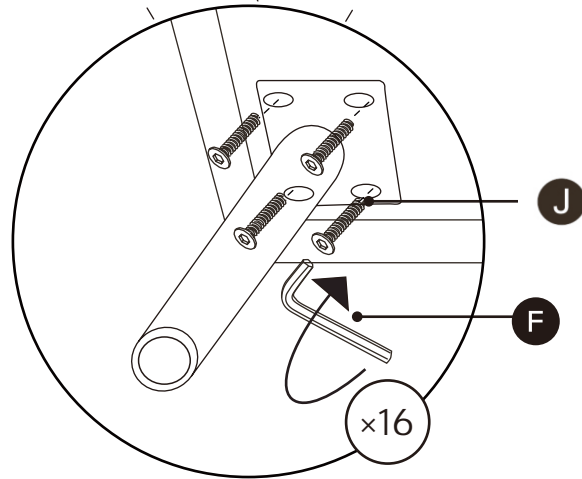
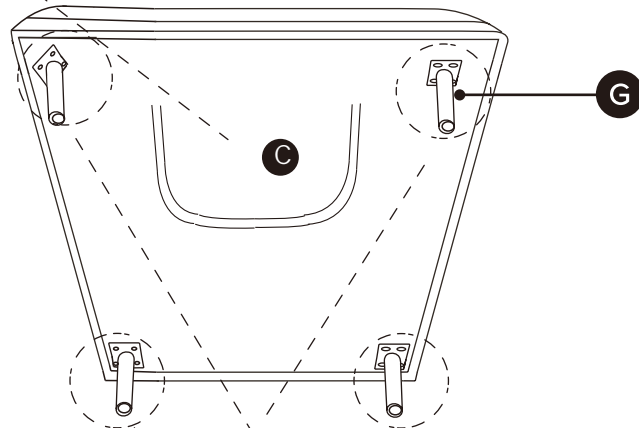


! The height of the metal leg can be adjusted by the foot pad at the bottom.

2

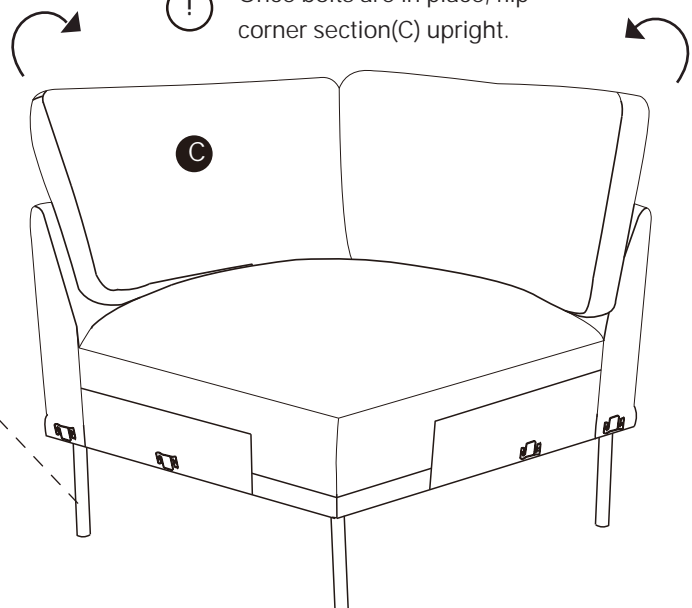


! Legs are stored under sofa in zippered compartment.

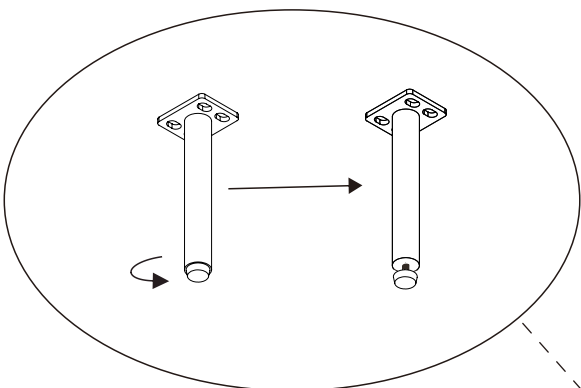
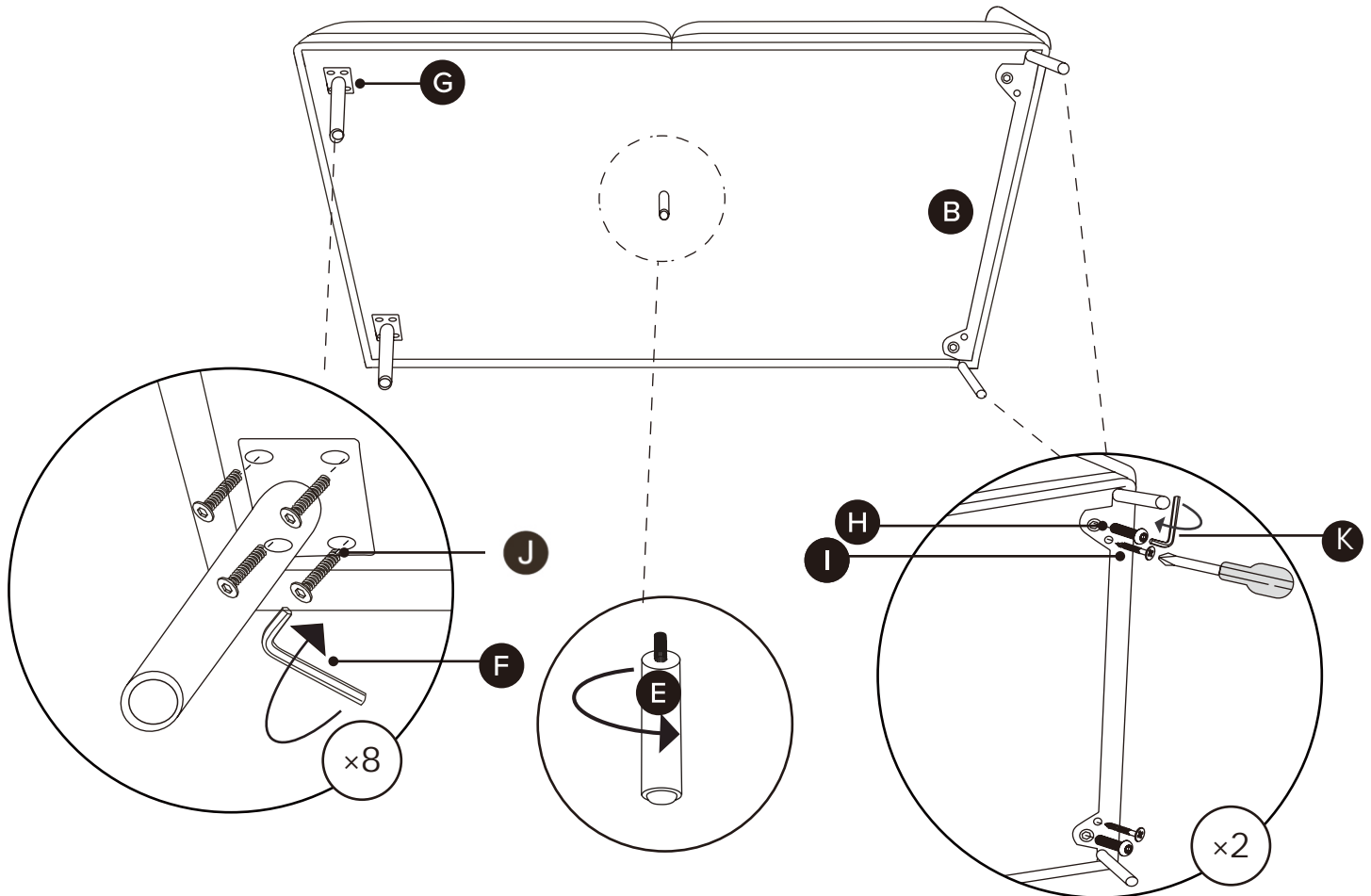


! The height of the metal leg can be adjusted by the foot pad at the bottom.

! Once bolts are in place, flip corner section (C) upright.

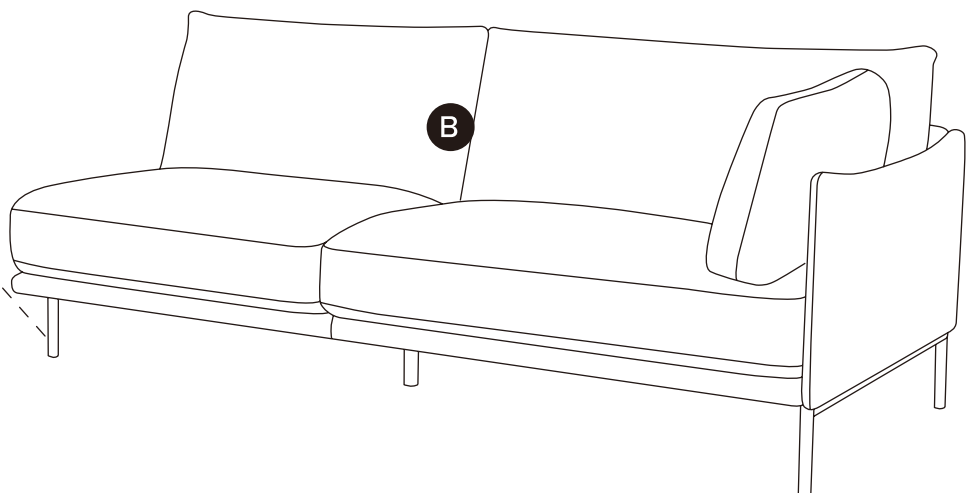


3

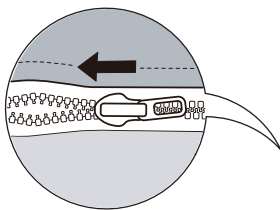
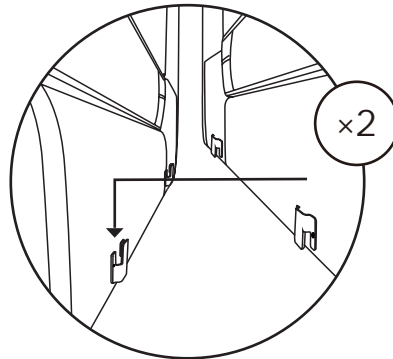
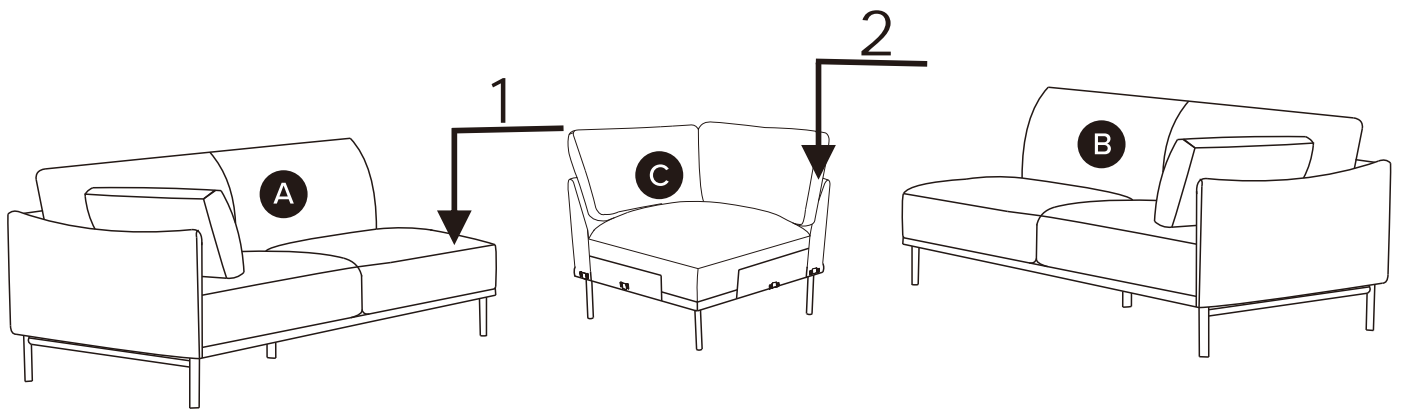


! The height of the metal leg can be adjusted by the foot pad at the bottom.

! Once bolts are in place, flip sofa section(B) upright.



4



Attach the zipper on the back cushion to the zipper on the back frame.

