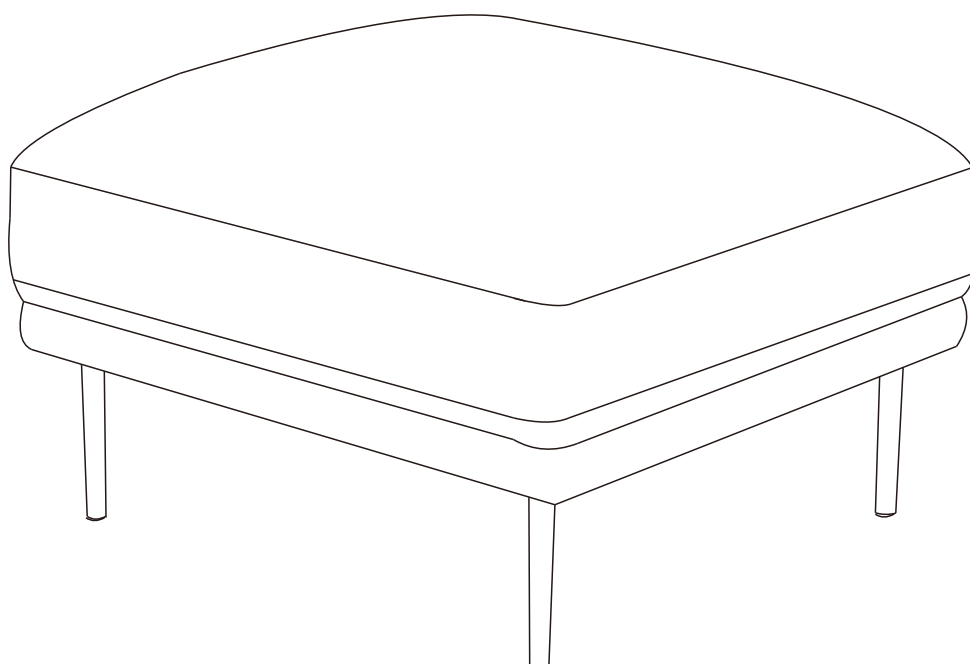


ARTICLE.

VERSION 1.0

Assembly Instructions



OLSEN

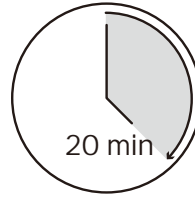
29" Ottoman

ASSEMBLY INSTRUCTIONS

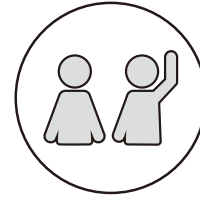
Read these instructions carefully and keep for future reference. Refer to parts inventory for guidance, and ensure you have all pieces before starting.

When assembling, place all parts on a soft, clean, and flat surface such as a carpet to prevent scratches.

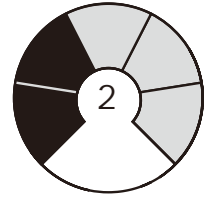
If you're having difficulty, our friendly Customer Care team is always here to help. Call us at 1.888.746.3455 during business hours, email service@article.com or chat live at [article.com](https://www.article.com).






TIME



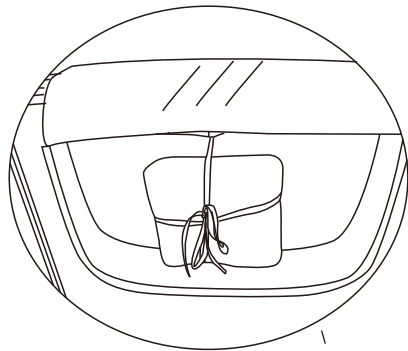
OF PEOPLE



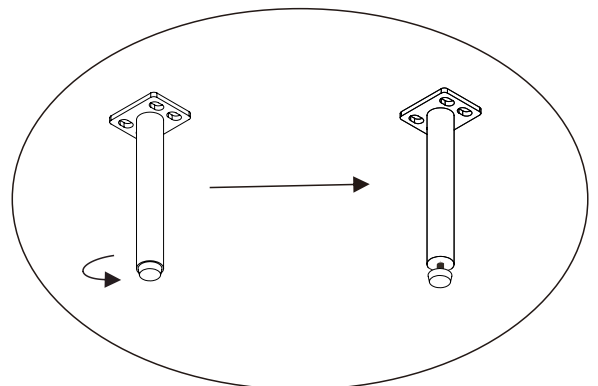
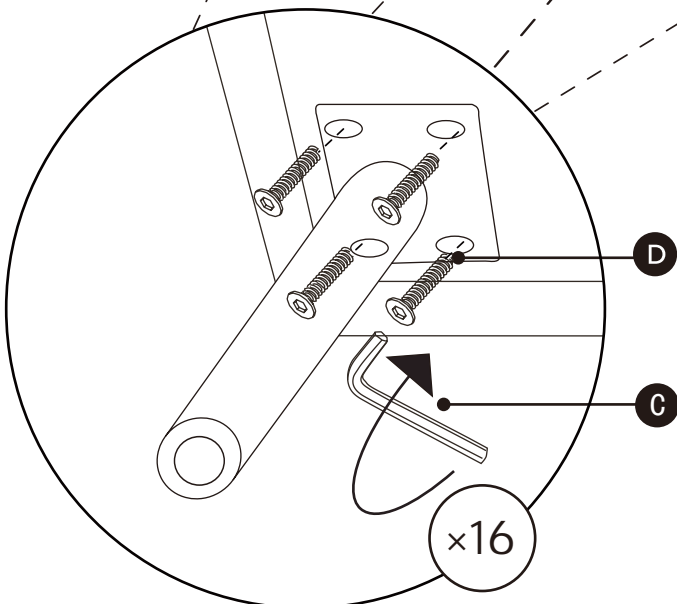
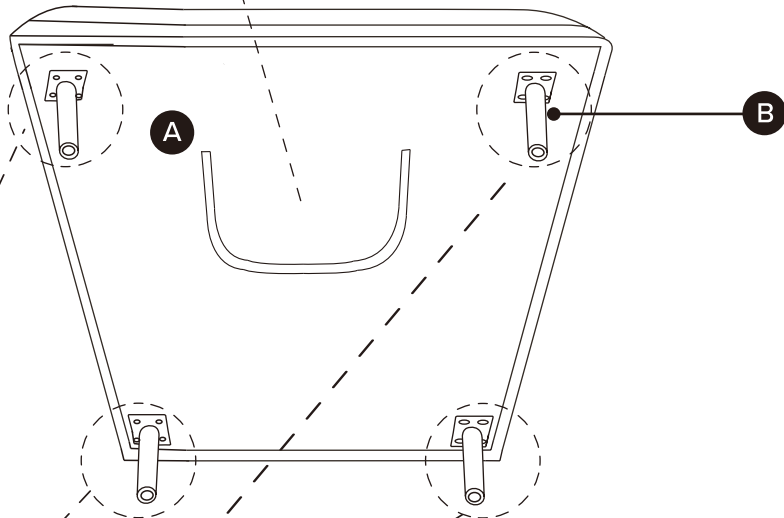
DIFFICULTY

PARTS INVENTORY		
ID	DESCRIPTION	QTY
A	OTTOMAN	1
B	METAL LEG 	4
C	SMALL ALLEN KEY 	1
D	M6 x 30MM BOLT 	16

1



! Legs are stored under sofa in zippered compartment.



! The height of the metal leg can be adjusted by the foot pad at the bottom.