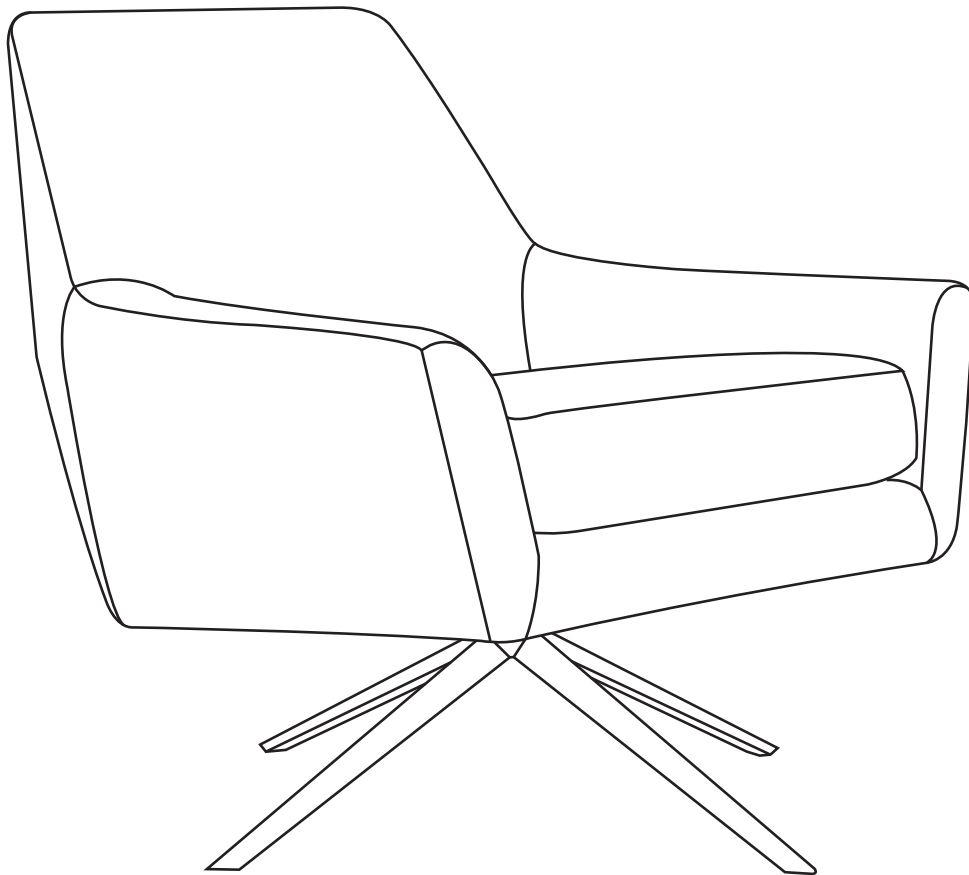


ARTICLE.

VERSION 2.0

Assembly Instructions



SPIN

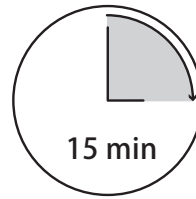
30.5" Swivel Lounge Chair

ASSEMBLY INSTRUCTIONS

Read these instructions carefully and keep for future reference. Refer to parts inventory for guidance, and ensure you have all pieces before starting.

When assembling, place all parts on a soft, clean, and flat surface such as a carpet to prevent scratches.

If you're having difficulty, our friendly Customer Care team is always here to help. Call us at **1.888.746.3455** during business hours, email service@article.com or chat live at [article.com](https://www.article.com).

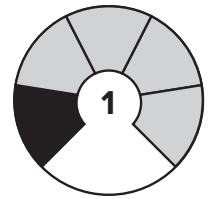


15 min


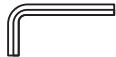
TIME



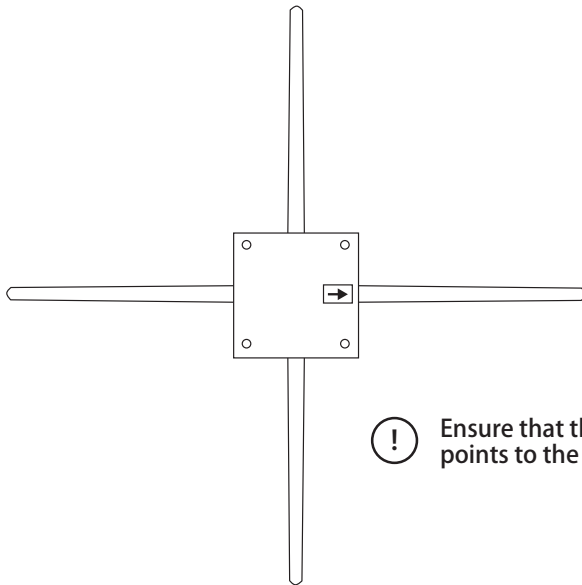
OF PEOPLE



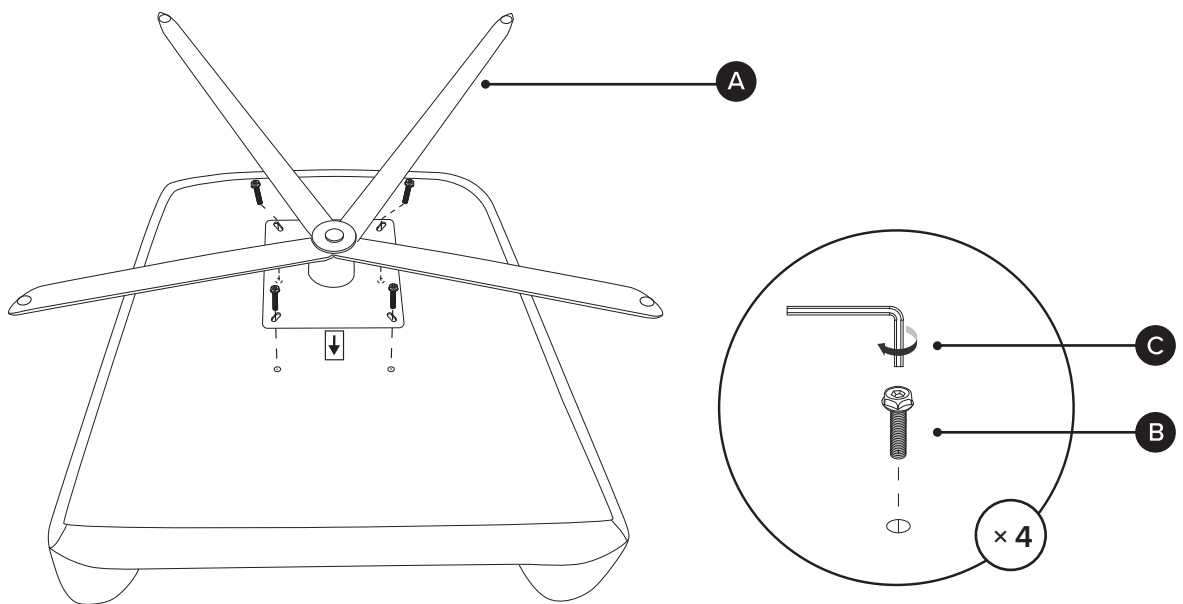
DIFFICULTY

PARTS INVENTORY		
ID	DESCRIPTION	QTY
A	LEG BASE	1
B	BOLT M8*30mm 	4
C	ALLEN KEY 	1

1



! Ensure that the arrow label on base (A) points to the front of the chair when attached.



! Do not fully tighten until 4 bolts sitting in place.