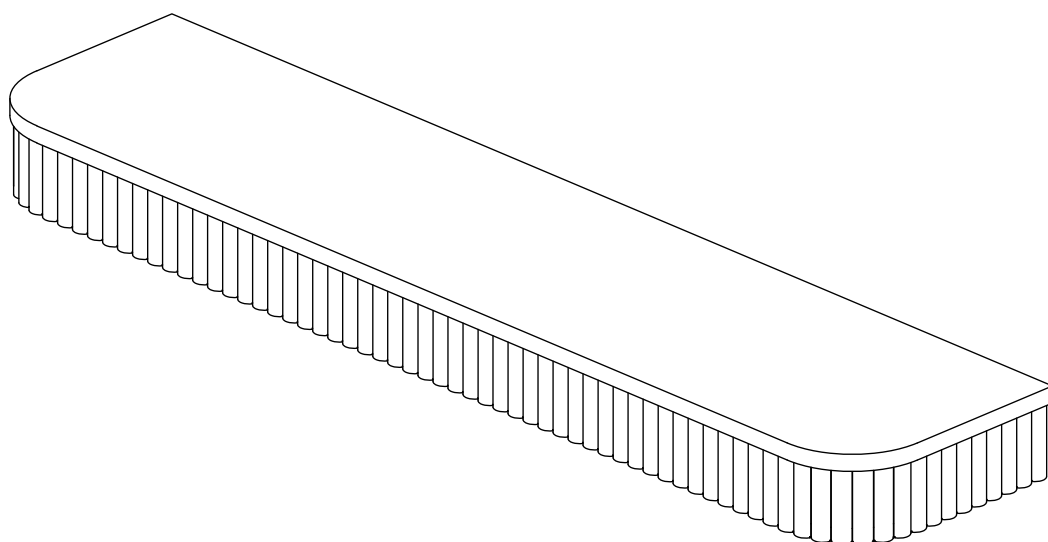


ARTICLE.

VERSION 1.1

Assembly Instructions



LIV

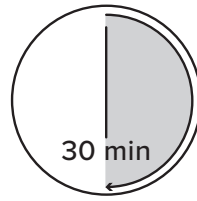
41.25" Floating Shelf

ASSEMBLY INSTRUCTIONS

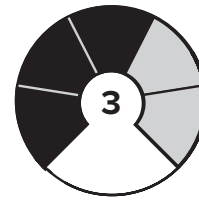
Read these instructions carefully and keep for future reference. Refer to parts inventory for guidance, and ensure you have all pieces before starting.

When assembling, place all parts on a soft, clean, and flat surface such as a carpet to prevent scratches.

If you're having difficulty, our friendly Customer Care team is always here to help. Call us at **1.888.746.3455** during business hours, email service@article.com or chat live at [article.com](https://www.article.com).



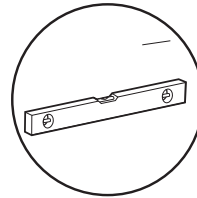
TIME



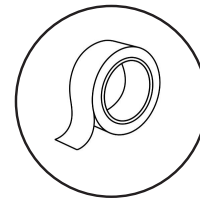
DIFFICULTY



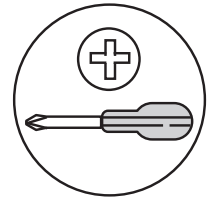
OF PEOPLE



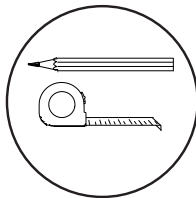
LEVEL



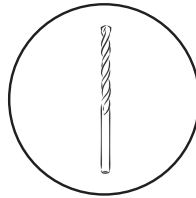
PAPER TAPE



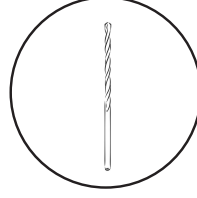
SCREW DRIVER



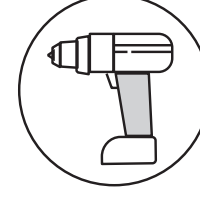
MEASUREMENT TAPE, PENCIL



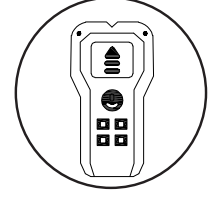
8MM OR 5/16" DRILL BIT FOR GYPSUM ONLY



4MM OR 5/32" DRILL BIT FOR WOODEN STUDS

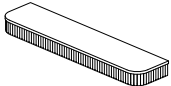
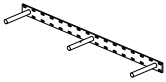
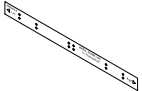



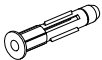

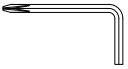
POWER DRILL



STUD FINDER

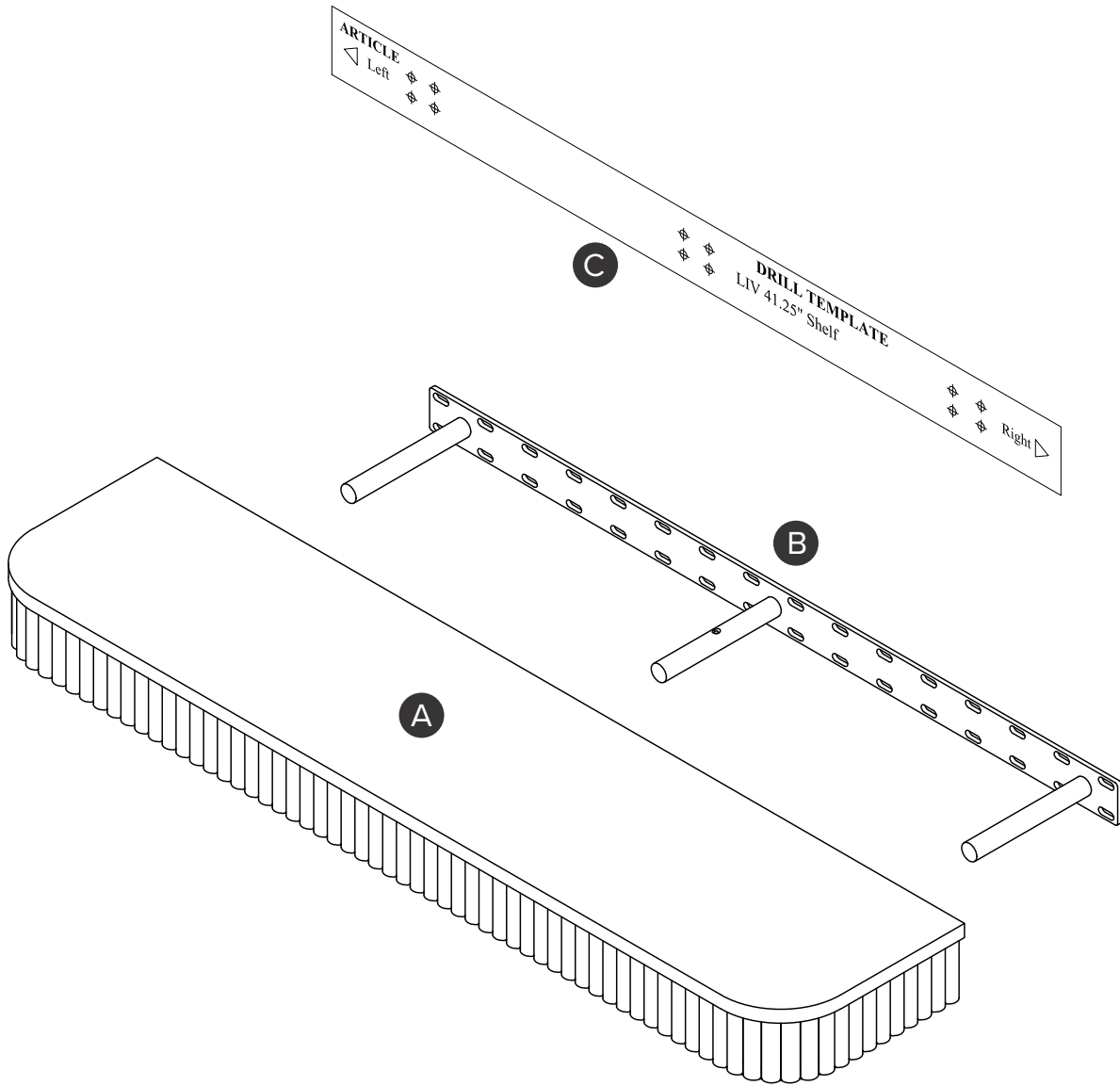
REQUIRED TOOLS

PARTS INVENTORY		
ID	DESCRIPTION	QTY
A	FLOATING SHELF 	1
B	WALL BRACKET 	1
C	DRILLING TEMPLATE 	1

HARDWARE LIST		
ID	DESCRIPTION	QTY
D	M4 x 38 BOLT 	1
E	DRYWALL PLUGS (FOR GYPSUM AREA ONLY) 	12
F	M5 x 70 SCREW 	12
G	ALLEN KEY 	1



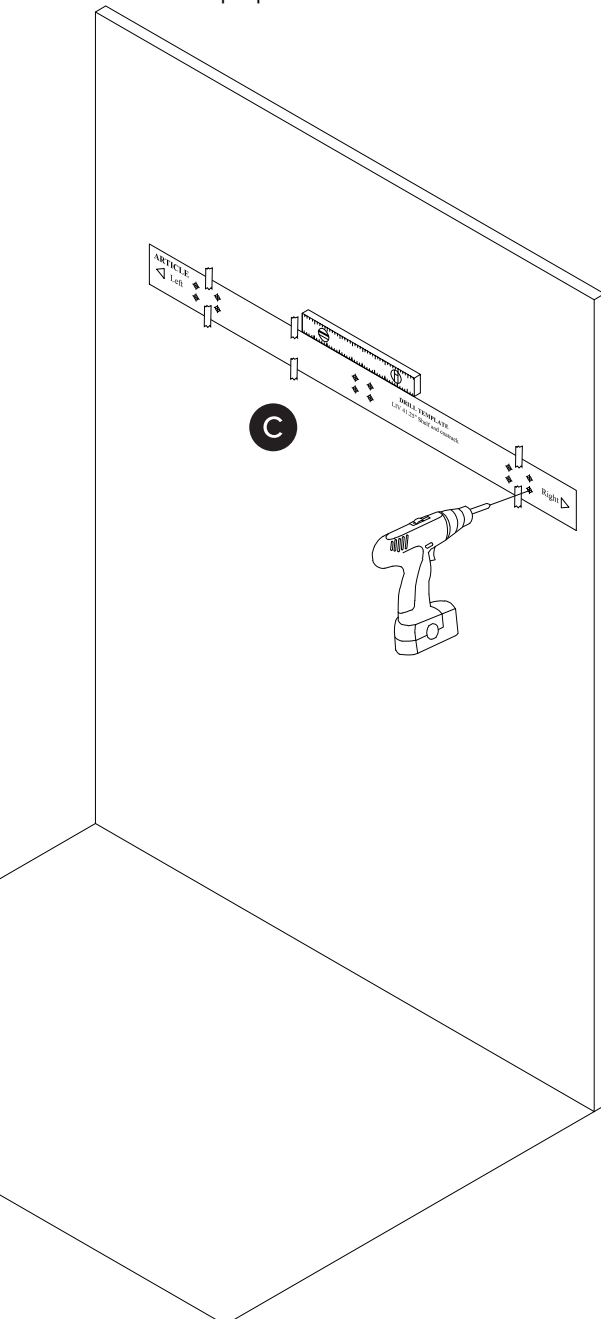
Hardware (E/F) to attach bracket to wall is designed for drywall. To attach this unit to another type of wall, consult with your local hardware store.



1

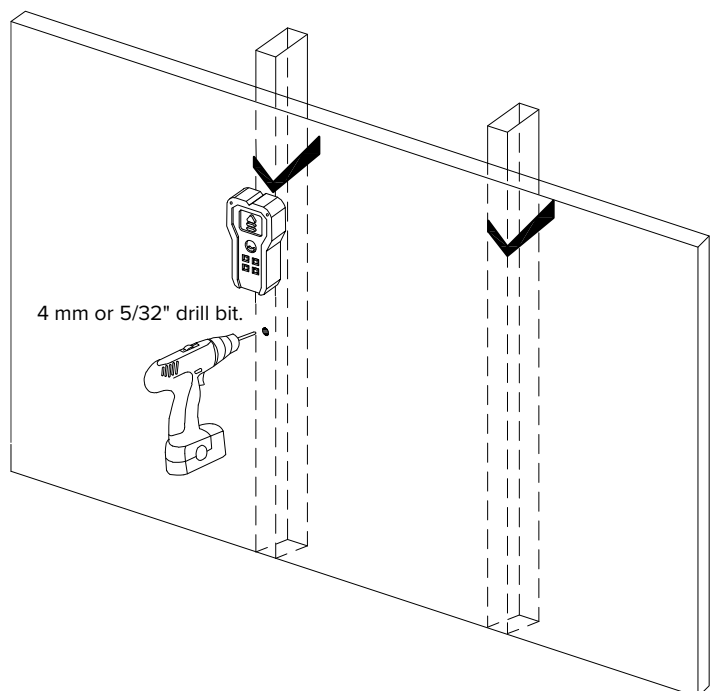
- ! Ensure the wall surface is clean, dry and flat. Never mount the floating shelf over a heat source or in an area that experiences direct exposure to steam or high humidity area (e.g., over a dishwasher or boiling pot or inside the bathroom).

Our hardware (E/F) provided are for drywall only, if your wall has different construction, please consult with your contractor for proper hardware.

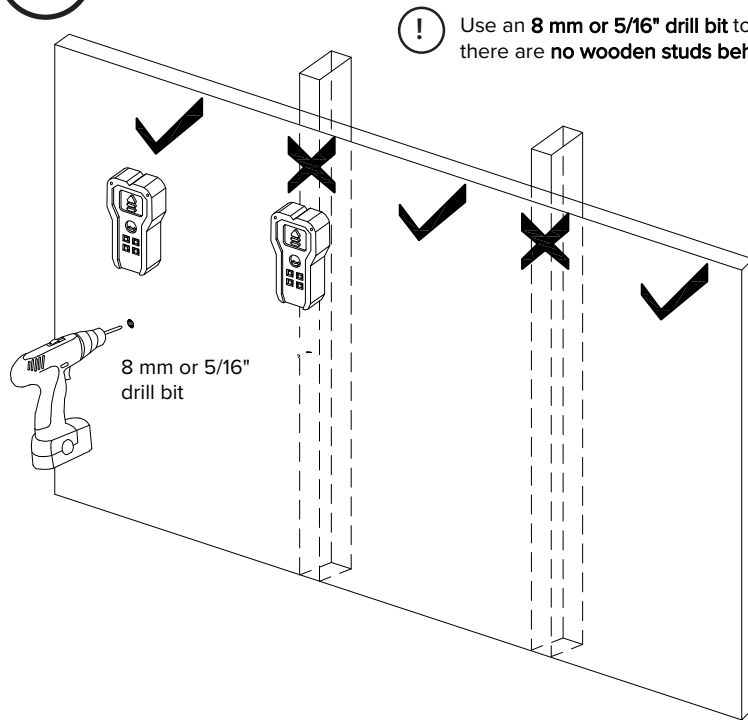


- ! **Important:** If the floating shelf is not secured to at least two wooden wall studs, it may fall and cause injury or damage.

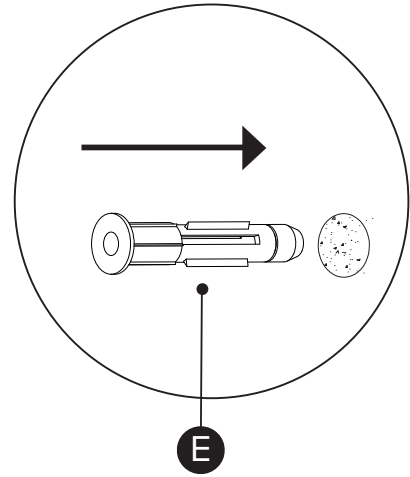
- Use a stud finder to locate two wooden studs inside the wall.
- Position the drilling template (C) so that at least 8 holes line up with the two studs.
- Drill pilot holes into the studs using a 4 mm or 5/32" drill bit.
- Do not use wall plugs (E) for any holes that have wooden studs behind them.



2

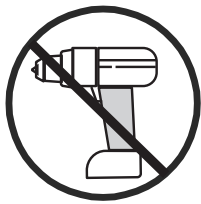


! Use an **8 mm or 5/16"** drill bit to drill holes in the drywall (gypsum) where there are **no wooden studs** behind the wall.

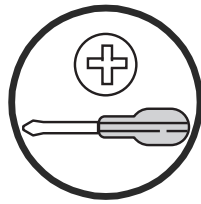


! Install the anchor (E) only in drywall (gypsum) areas where there is no wooden stud behind the wall.

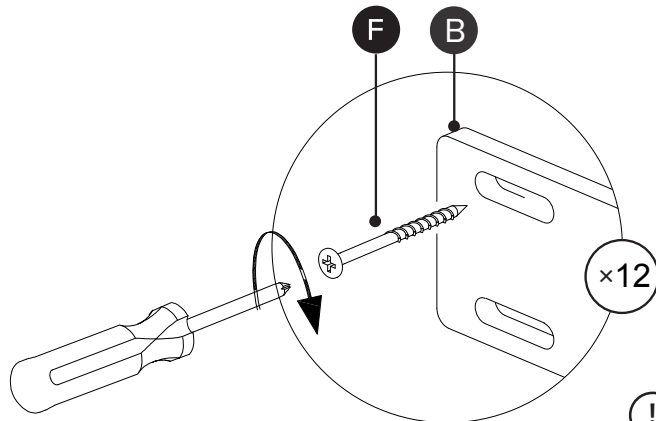
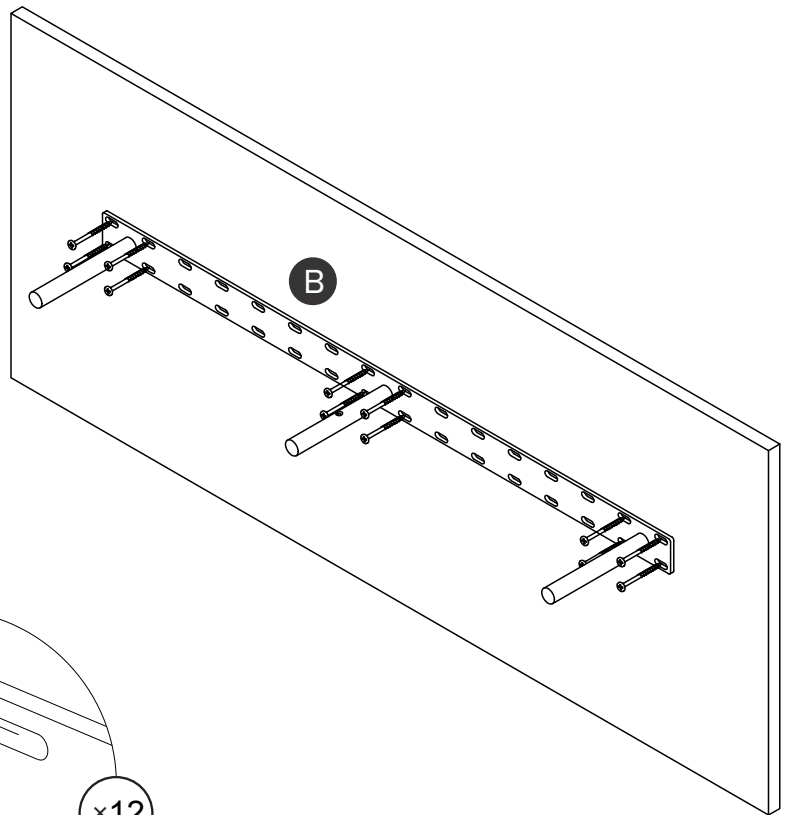
3



WRONG

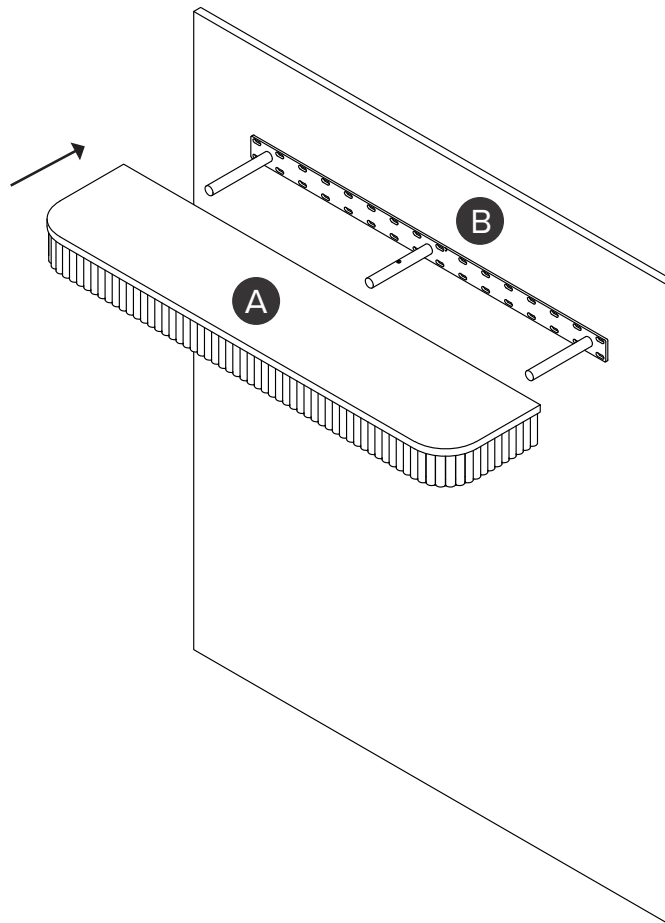


RIGHT



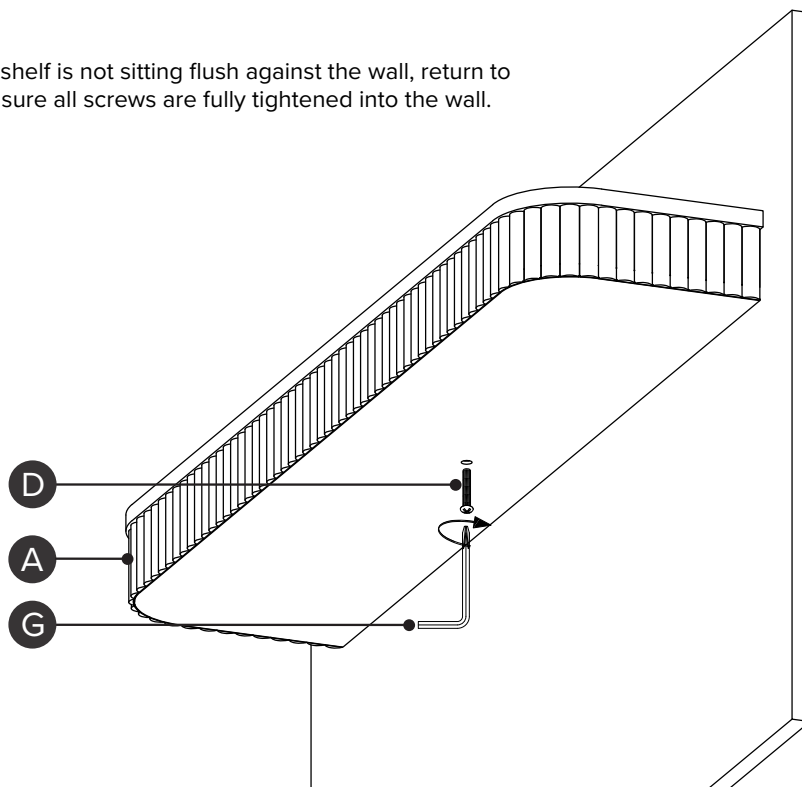
! Make sure the screws (F) are fully driven into the wall.

4



5

! If the back of the shelf is not sitting flush against the wall, return to Step 3 and make sure all screws are fully tightened into the wall.



6

Attention: Maximum load on this shelf is 130 lbs.

