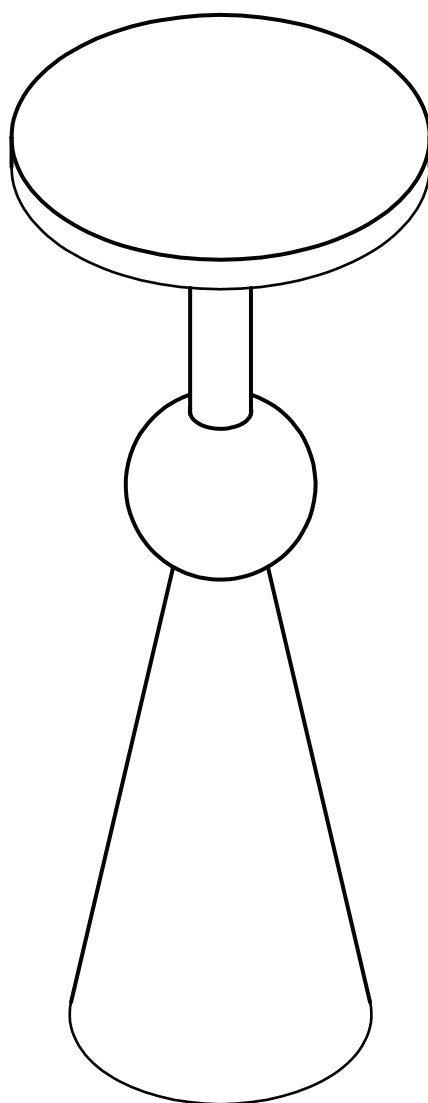


# ARTICLE.

VERSION 1.1

## Assembly Instructions



# DAHLIA

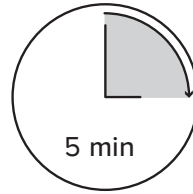
DRINKS TABLE

## ASSEMBLY INSTRUCTIONS

Read these instructions carefully and keep for future reference. Refer to parts inventory for guidance, and ensure you have all pieces before starting.

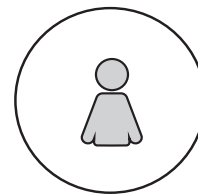
When assembling, place all parts on a soft, clean, and flat surface such as a carpet to prevent scratches.

If you're having difficulty, our friendly Customer Care team is always here to help. Call us at **1.888.746.3455** during business hours, email [service@article.com](mailto:service@article.com) or chat live at [article.com](https://www.article.com).

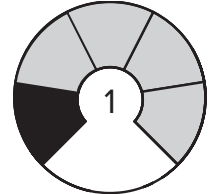


5 min


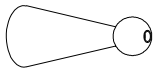
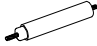
TIME


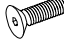




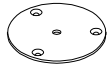


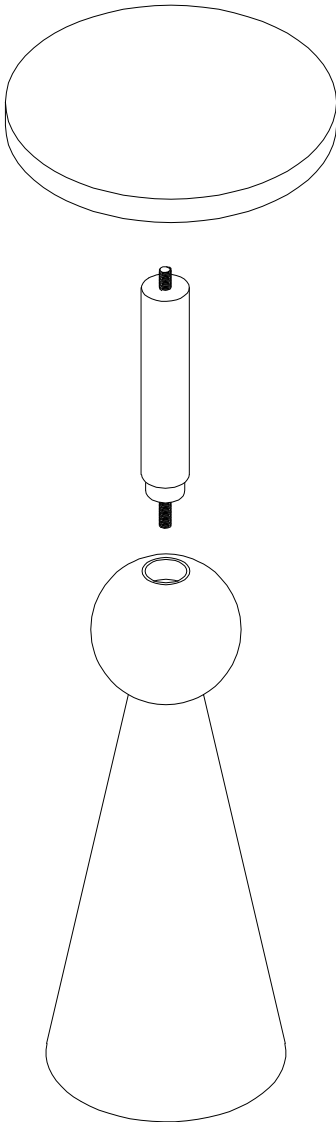
# OF PEOPLE



DIFFICULTY

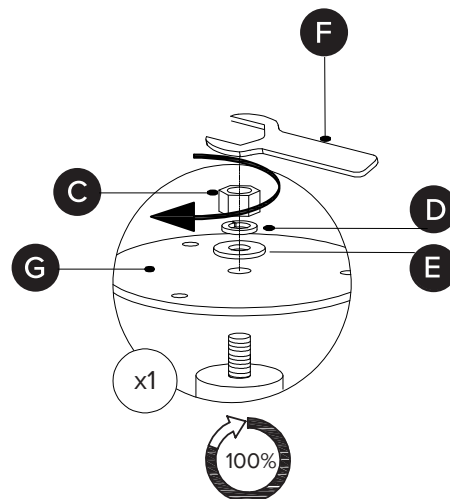
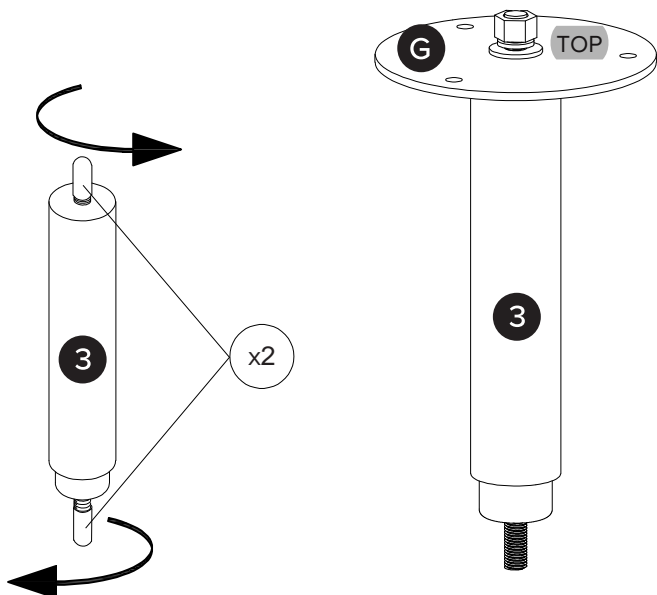
PARTS INVENTORY			
ID	DESCRIPTION		QTY
1	TOP		1
2	LOWER LEG		1
3	UPPER LEG		1

HARDWARE LIST			
ID	DESCRIPTION		QTY
A	ALLEN KEY		1
B	M6 × 20 MM BOLT		3
C	HEXNUT		1
D	M8 LOCK WASHER		1
E	M8 WASHER		1
F	WRENCH		1
G	METAL SUBTOP		1



1

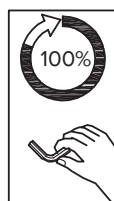
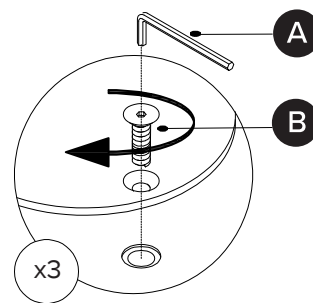
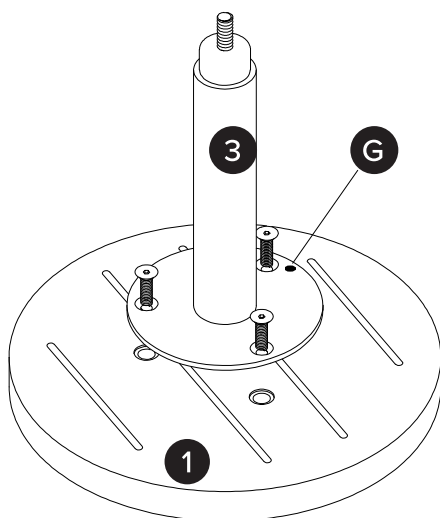
! The end with shorter bolt assembles with part (G).



! Fully tighten all nuts and bolts.

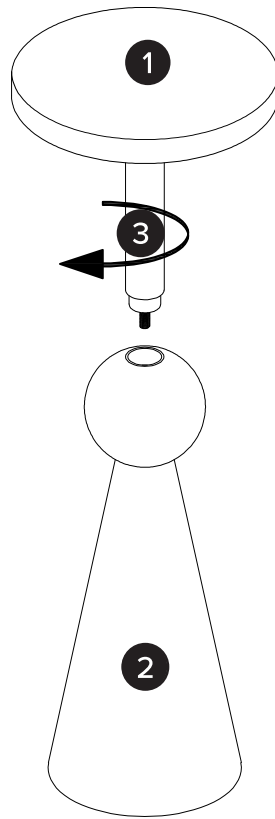
! Rotate the plastic cap following arrow direction to remove the protection on the leg bolt before assembling.

2

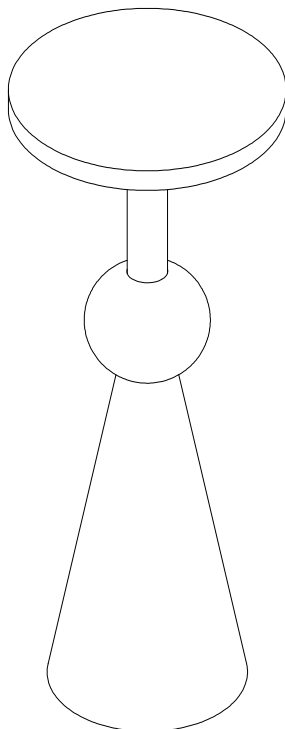


! Fully tighten all nuts and bolts.

3



4



**Usage Tip:**

This indoor product is made from solid wood, which naturally responds to changes in temperature and humidity. To help maintain its quality and longevity, keep the product away from radiators, heaters, fireplaces, direct sunlight, windows, and exterior areas.



If the table turned out loose, go back to step 1 and tighten the hexnut to fix it.