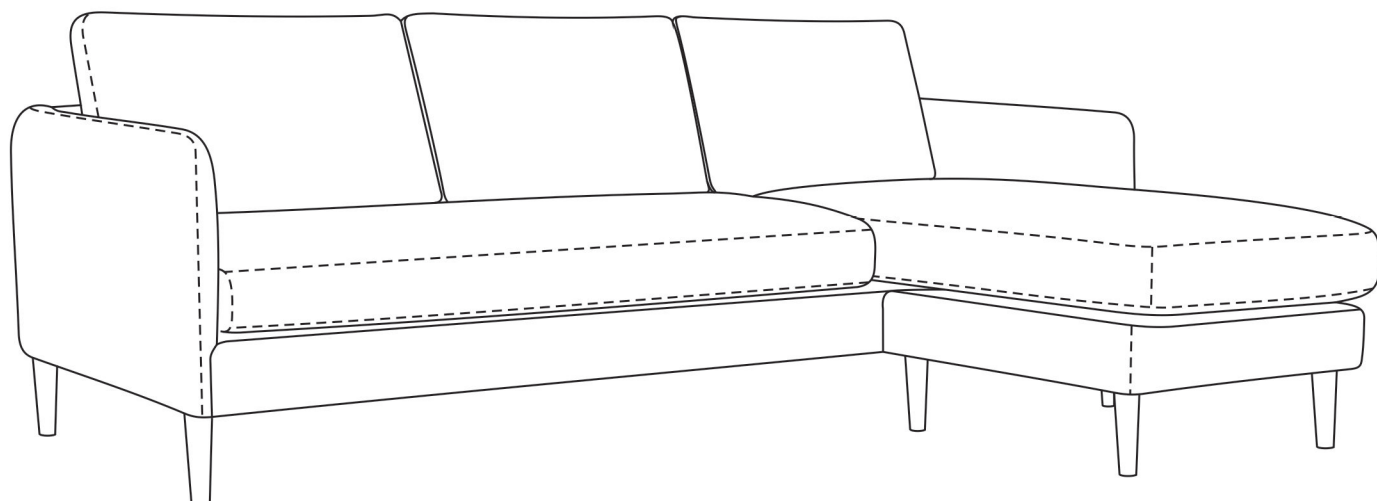


ARTICLE.

VERSION 1.0

Assembly Instructions



HANSON

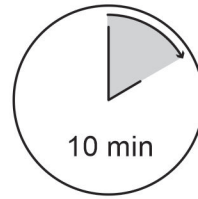
Reversible Sectional

ASSEMBLY INSTRUCTIONS

Read these instructions carefully and keep for future reference. Refer to parts inventory for guidance, and ensure you have all pieces before starting.

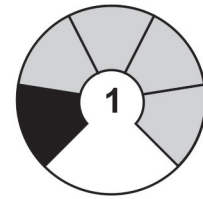
When assembling, place all parts on a soft, clean, and flat surface such as a carpet to prevent scratches.

If you're having difficulty, our friendly Customer Care team is always here to help. Call us at **1.888.746.3455** during business hours, email **service@article.com** chat live at **article.com**



10 min

TIME

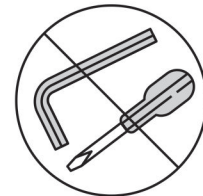


1

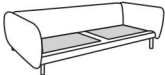







DIFFICULTY



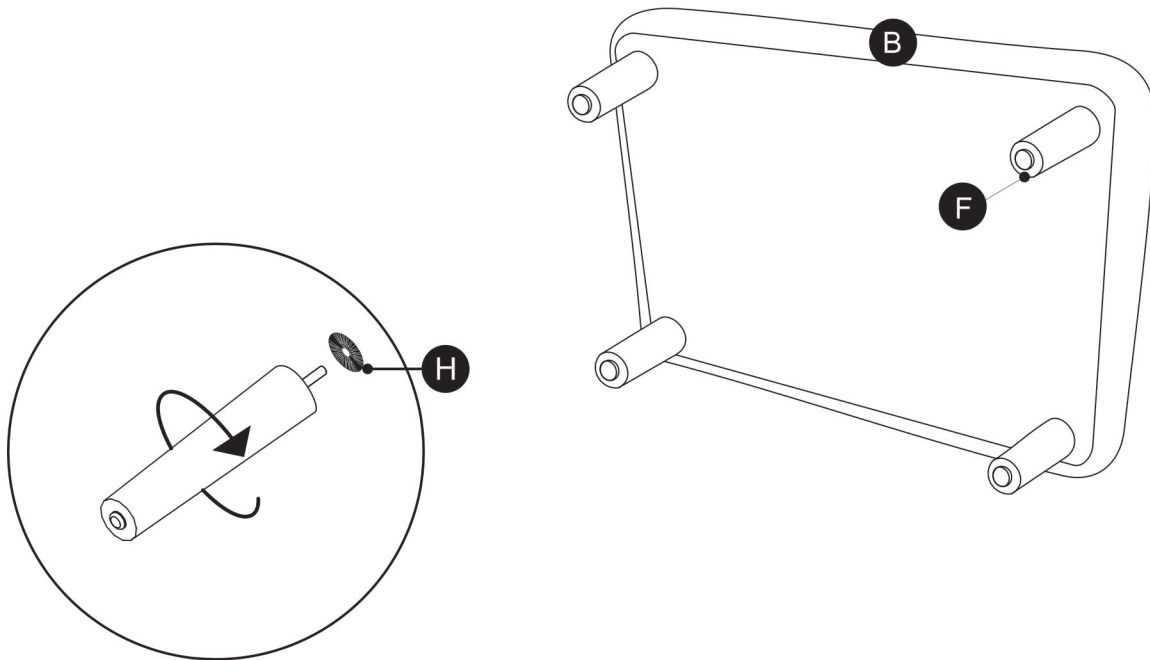
OF PEOPLE



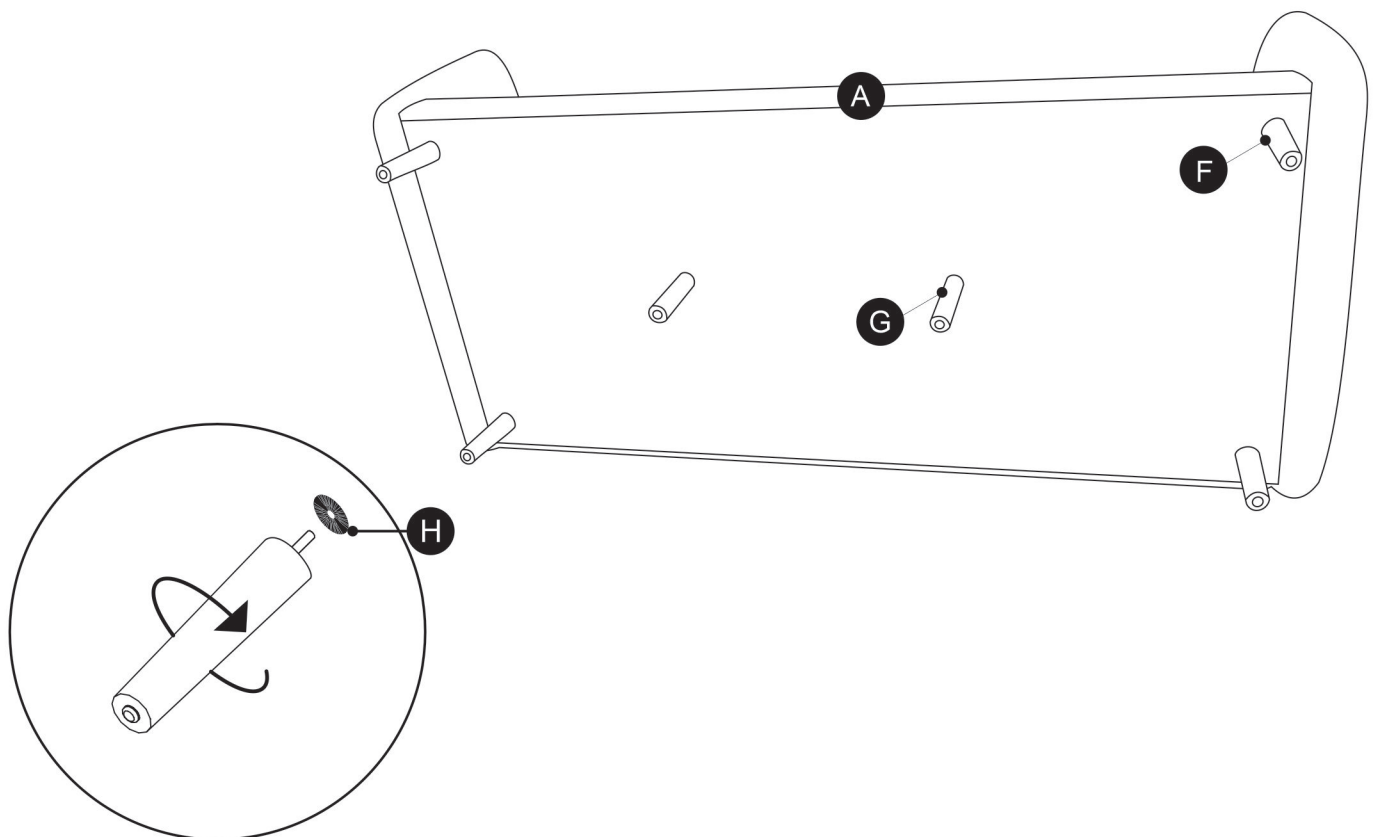
TOOL FREE

PARTS INVENTORY		
ID	DESCRIPTION	QTY
A	Sofa A 	1
B	Sofa B 	1
C	Chaise seat cushion with hook 	1
D	Bench seat Cushion 	1
E	Back Cushion 	3
F	Corner Leg 	8
G	Center Leg 	2
H	Plastic Washer 	10

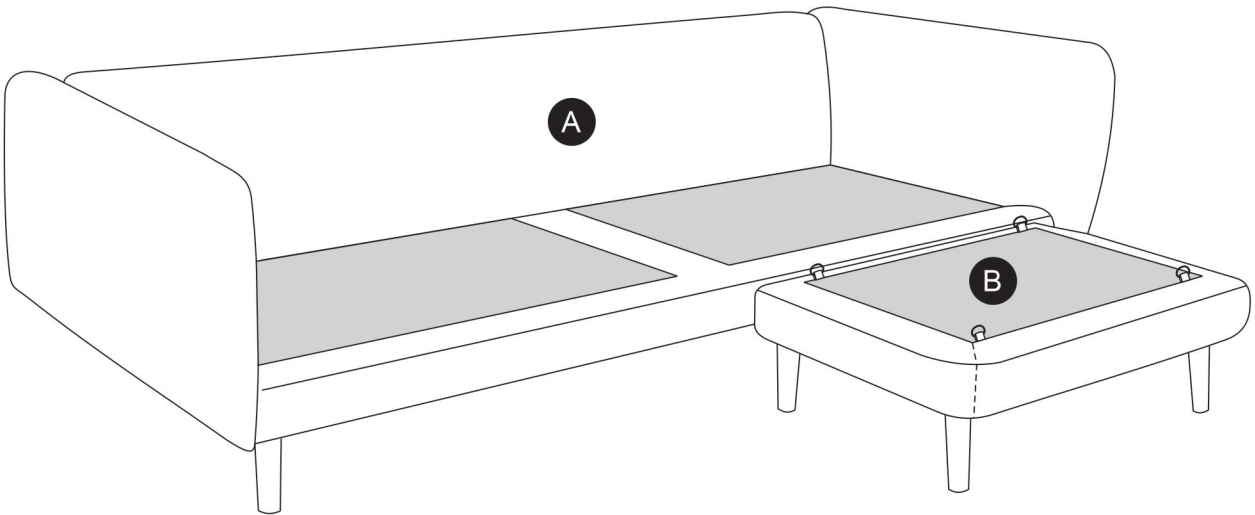
1A



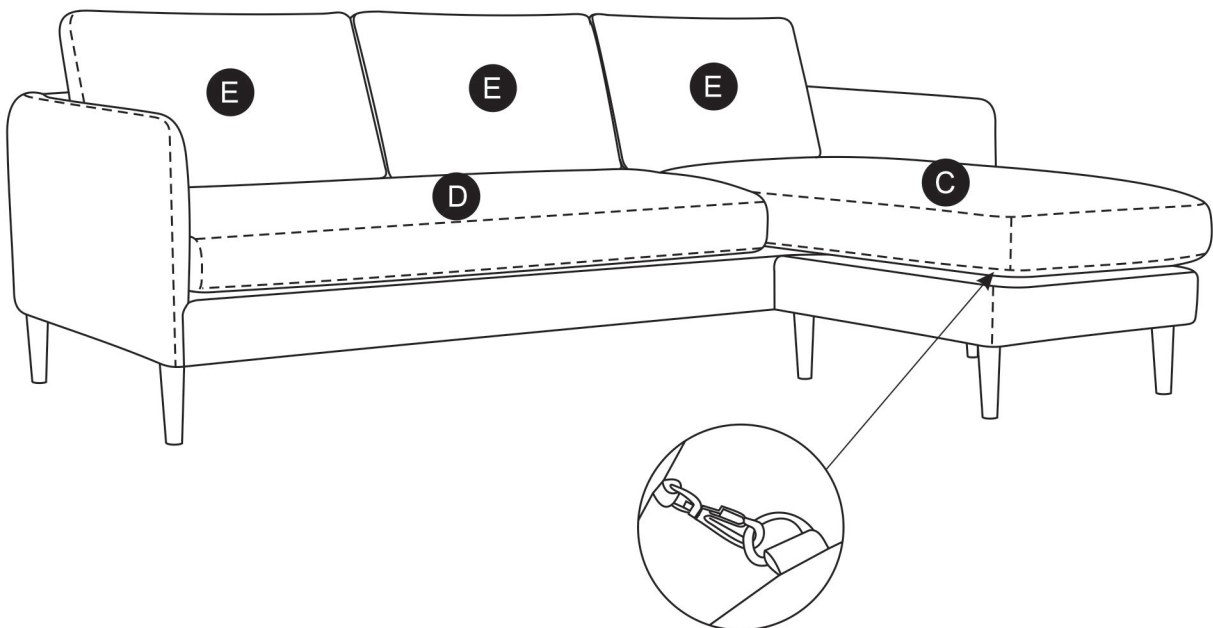
1B



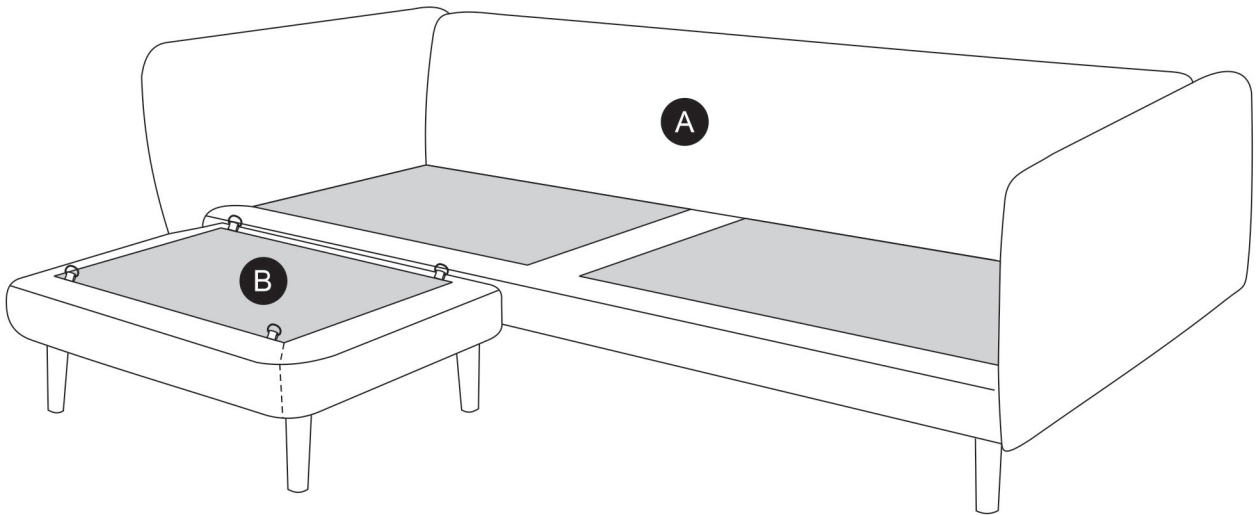
2A Right Sectional Sofa



2B



3A Left Sectional Sofa



3B

