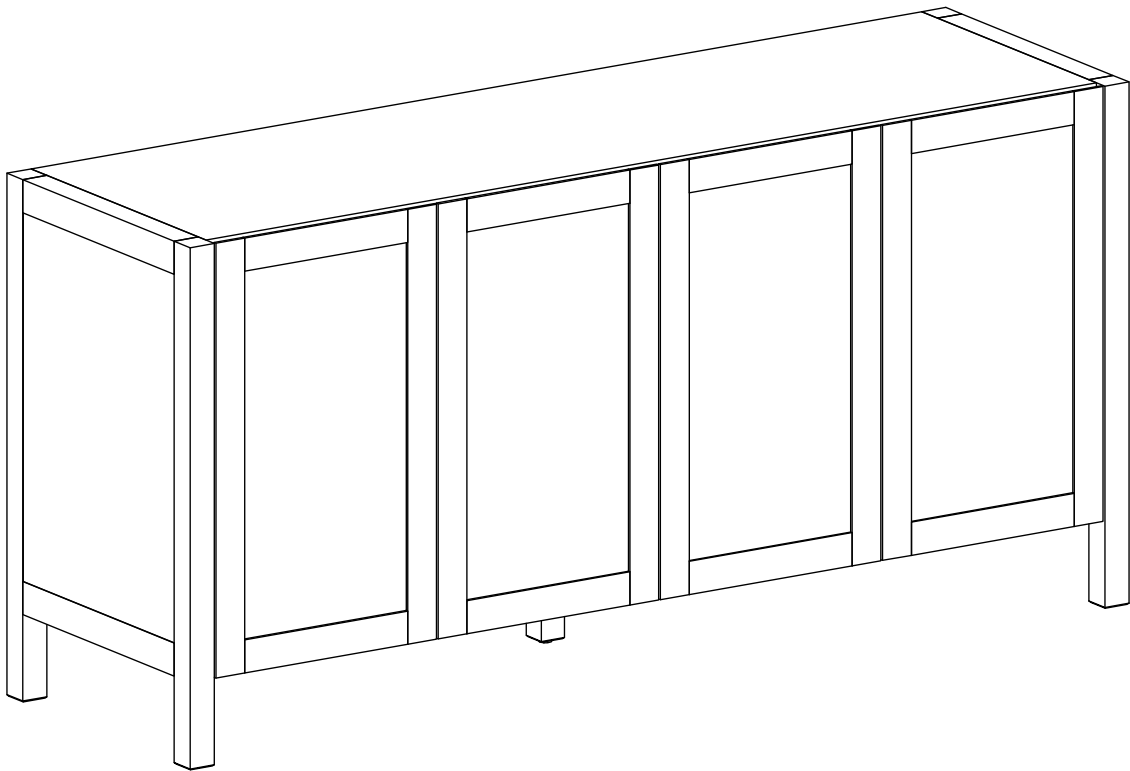


# ARTICLE.

VERSION 1.0

## Assembly Instructions



# ASHFORD

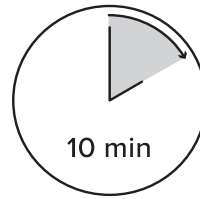
64" Solid Wood Sideboard

## ASSEMBLY INSTRUCTIONS

Read these instructions carefully and keep for future reference. Refer to parts inventory for guidance, and ensure you have all pieces before starting.

When assembling, place all parts on a soft, clean, and flat surface such as a carpet to prevent scratches.

If you're having difficulty, our friendly Customer Care team is always here to help. Call us at **1.888.746.3455** during business hours, email [service@article.com](mailto:service@article.com) or chat live at [article.com](https://www.article.com).

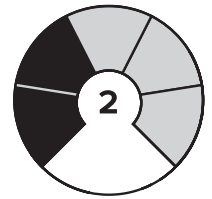


10 min

TIME

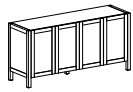




# OF PEOPLE

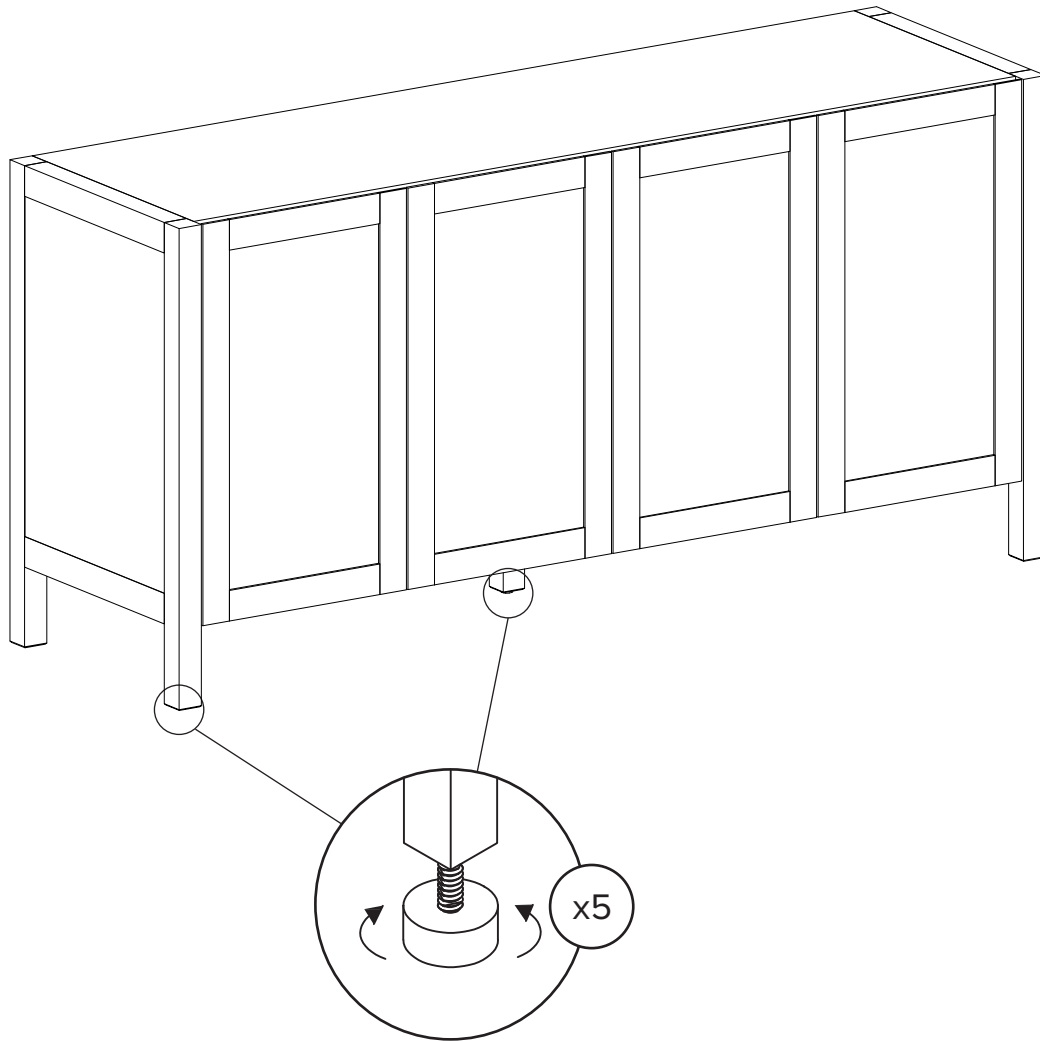


2

DIFFICULTY

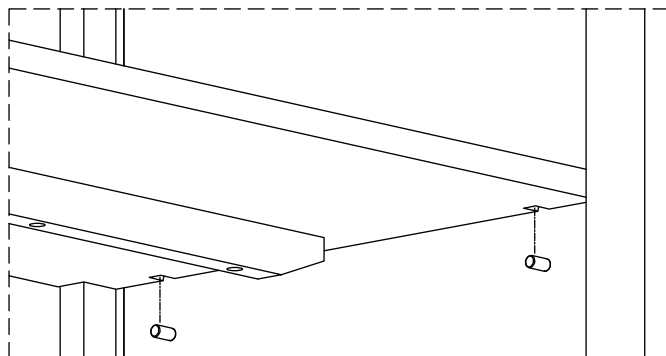
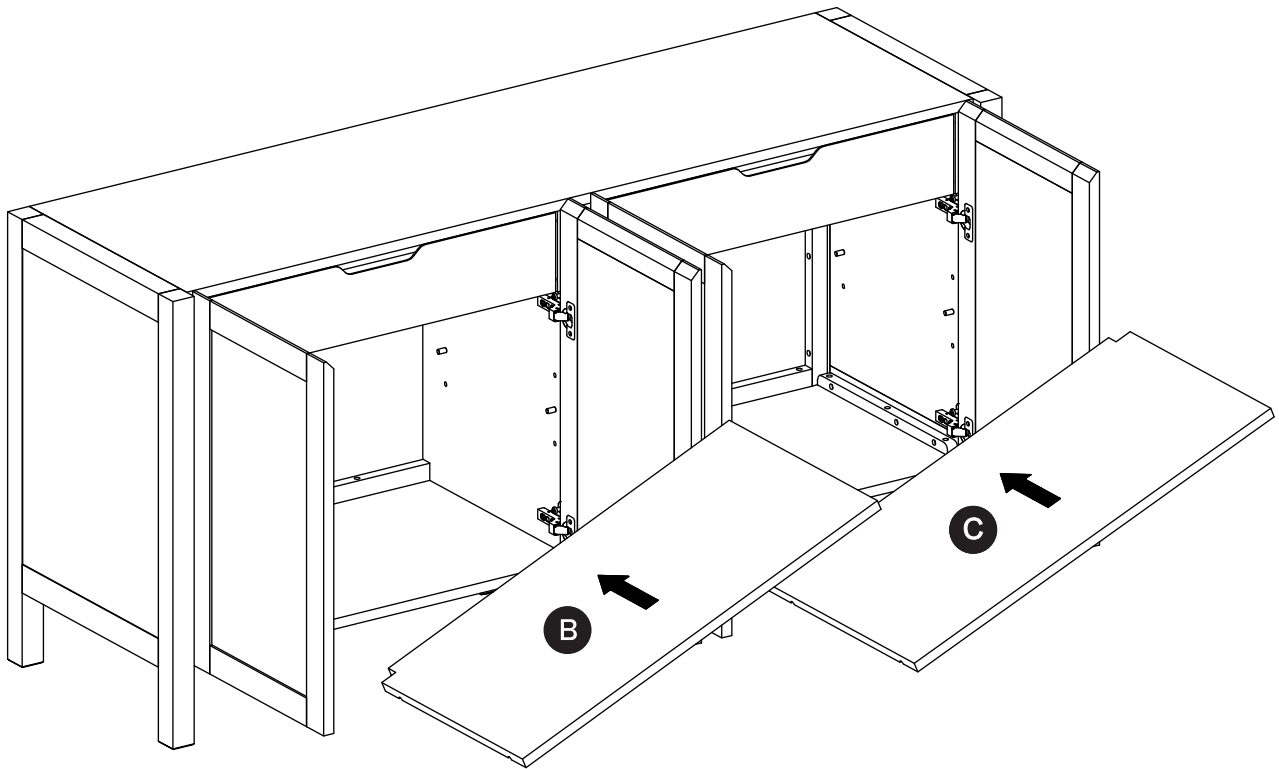
PARTS INVENTORY		
ID	DESCRIPTION	QTY
<b>A</b>	SIDEBOARD 	1
<b>B</b>	SHELF LEFT 	1
<b>C</b>	SHELF RIGHT 	1

1



! Adjust levelers for balance.

2



1010 Raymur Ave.  
Vancouver, BC V6A 3T2

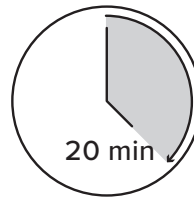


## ANTI-TIP RESTRAINT INSTALLATION

### WARNING!

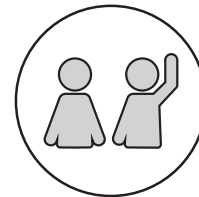
Children have died from furniture tipover.  
To reduce the risk of furniture tipover:

- ALWAYS install tipover restraint provided.
- NEVER put a TV on this product.
- NEVER allow children to stand, climb or hang on drawers, doors, or shelves.
- NEVER open more than one drawer at a time.
- Place heaviest items in the lower drawers.

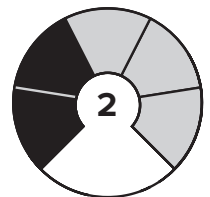


20 min

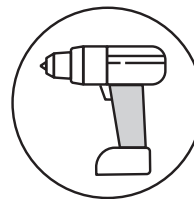
TIME



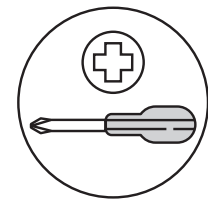
# OF PEOPLE



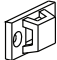

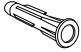


DIFFICULTY



REQUIRED TOOL  
8MM / 5/16" DRILL BIT



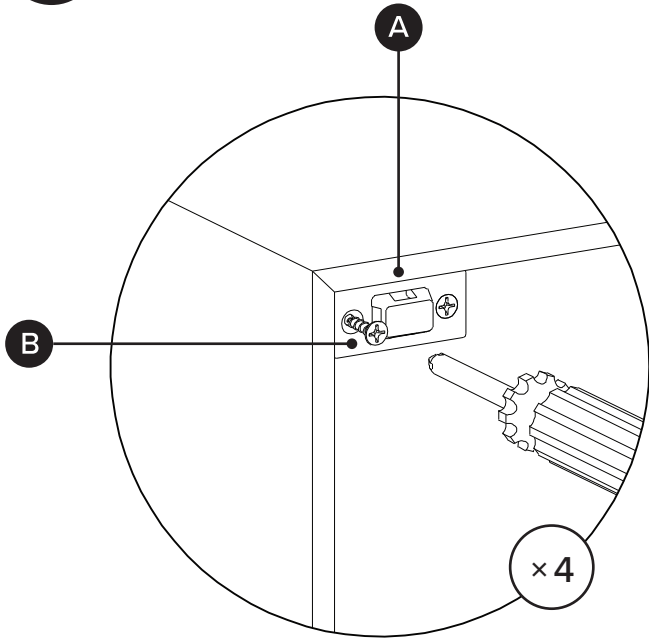
REQUIRED TOOL

PARTS INVENTORY		
ID	DESCRIPTION	QTY
<b>A</b>	BRACKET 	4
<b>B</b>	M4 × 20MM SCREW 	4
<b>C</b>	M8 × 51MM PLUG 	4
<b>D</b>	M6 × 70MM SCREW 	4
<b>E</b>	STRAP 	2



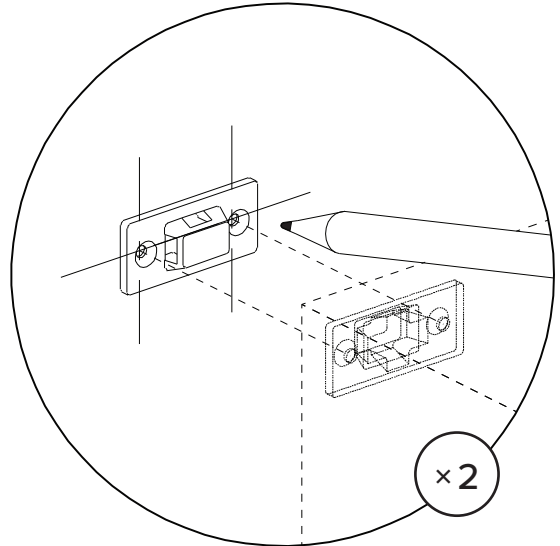
Hardware (C/D) to attach brackets to wall is designed for drywall. To attach this unit to another type of wall, consult with your local hardware store.

1



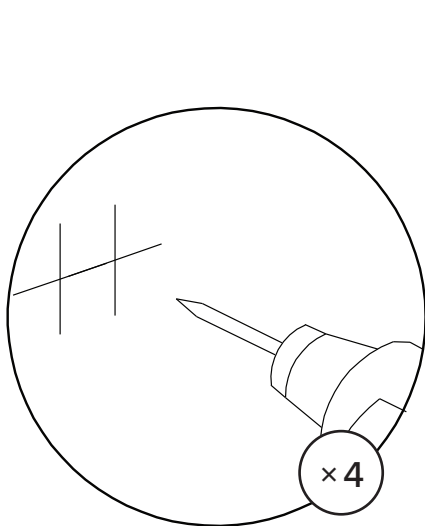
Attach pair of brackets to top corners of the back of the unit. Note there are no existing pilot holes on the product.

2

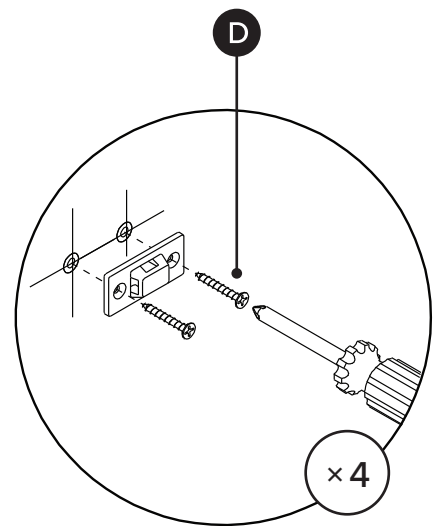
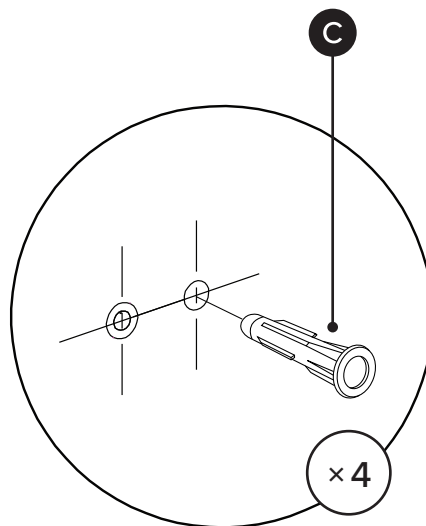


Mark on wall where second pair of brackets should be placed.

3

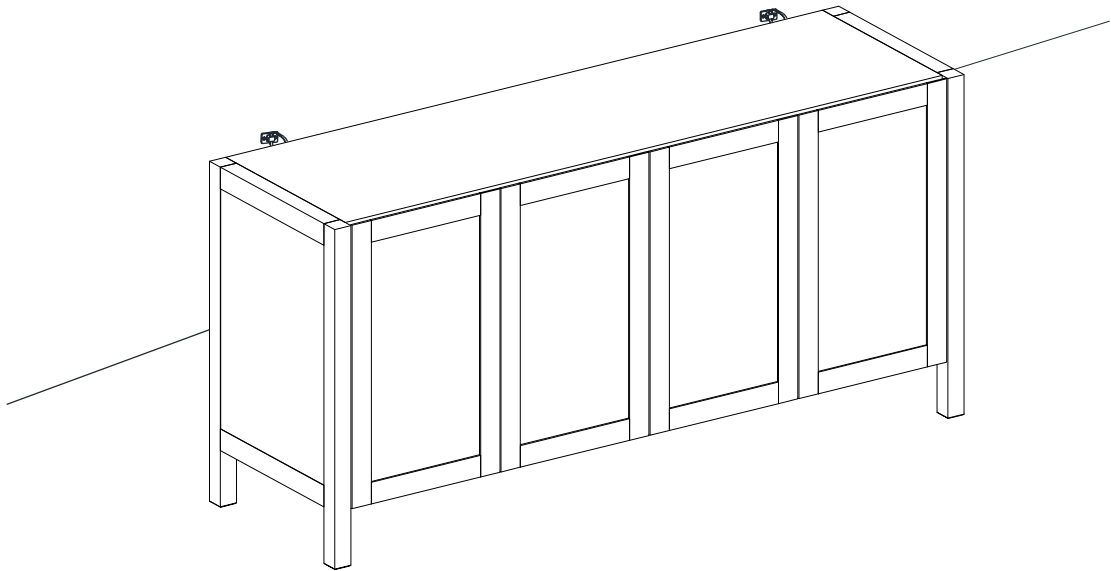


Drill holes in wall using 8mm / 5/16" drill bit.

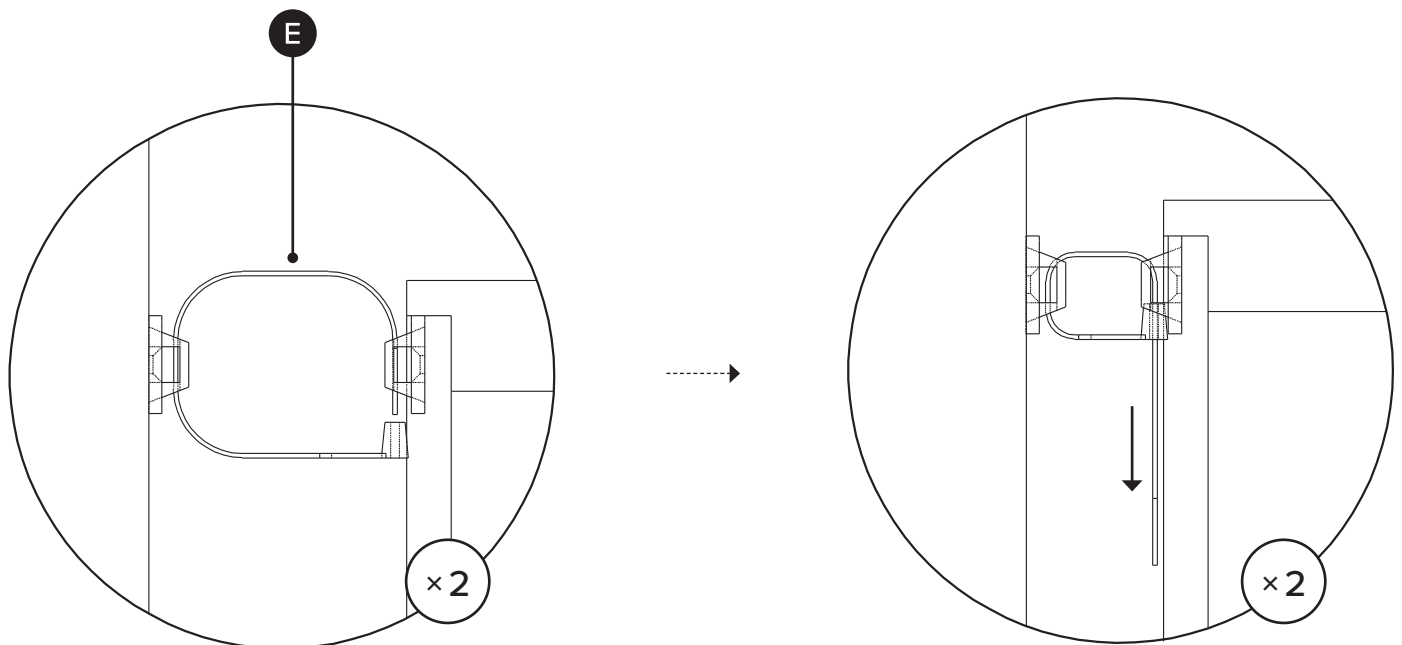


4A

Align brackets on unit  
with brackets on wall.



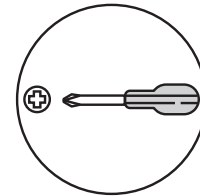
4B



Pull strap down until it snap-locks.

## DOOR ADJUSTMENT INSTRUCTIONS

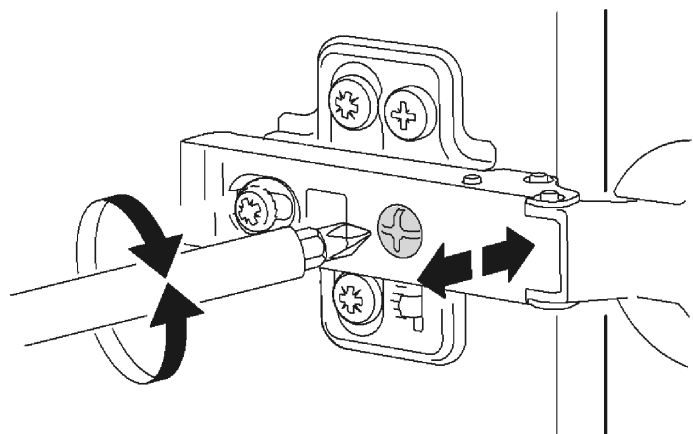
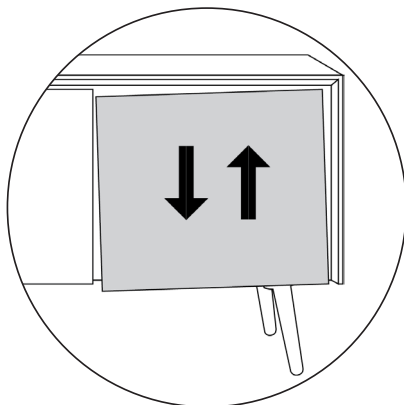
**!** During shipping, the doors of your cabinet may have shifted slightly. This can easily be corrected by tightening a few screws. Always start by adjusting the top hinge on the affected door.



REQUIRED TOOL

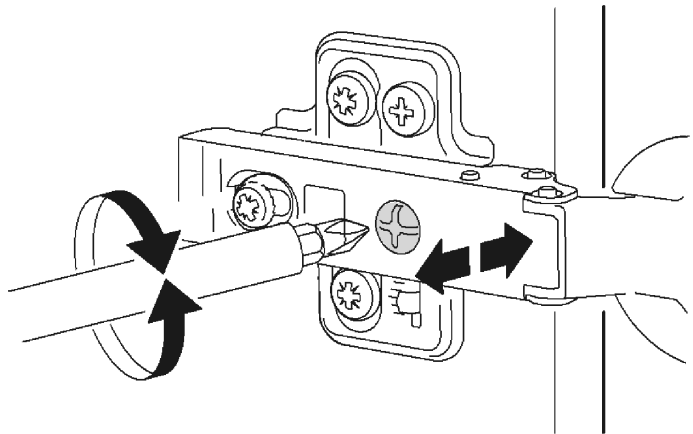
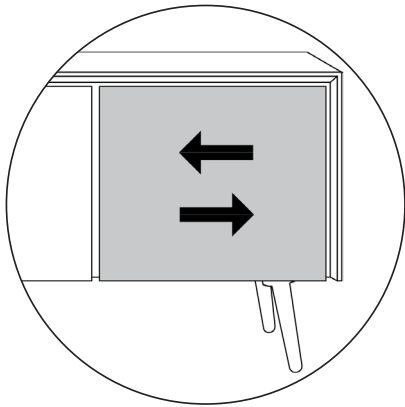
### 5A

If the door is crooked, adjust hinge(s) up or down:



5B

If the door needs adjustment side to side:



5C

If the door needs adjustment forward or backward:

