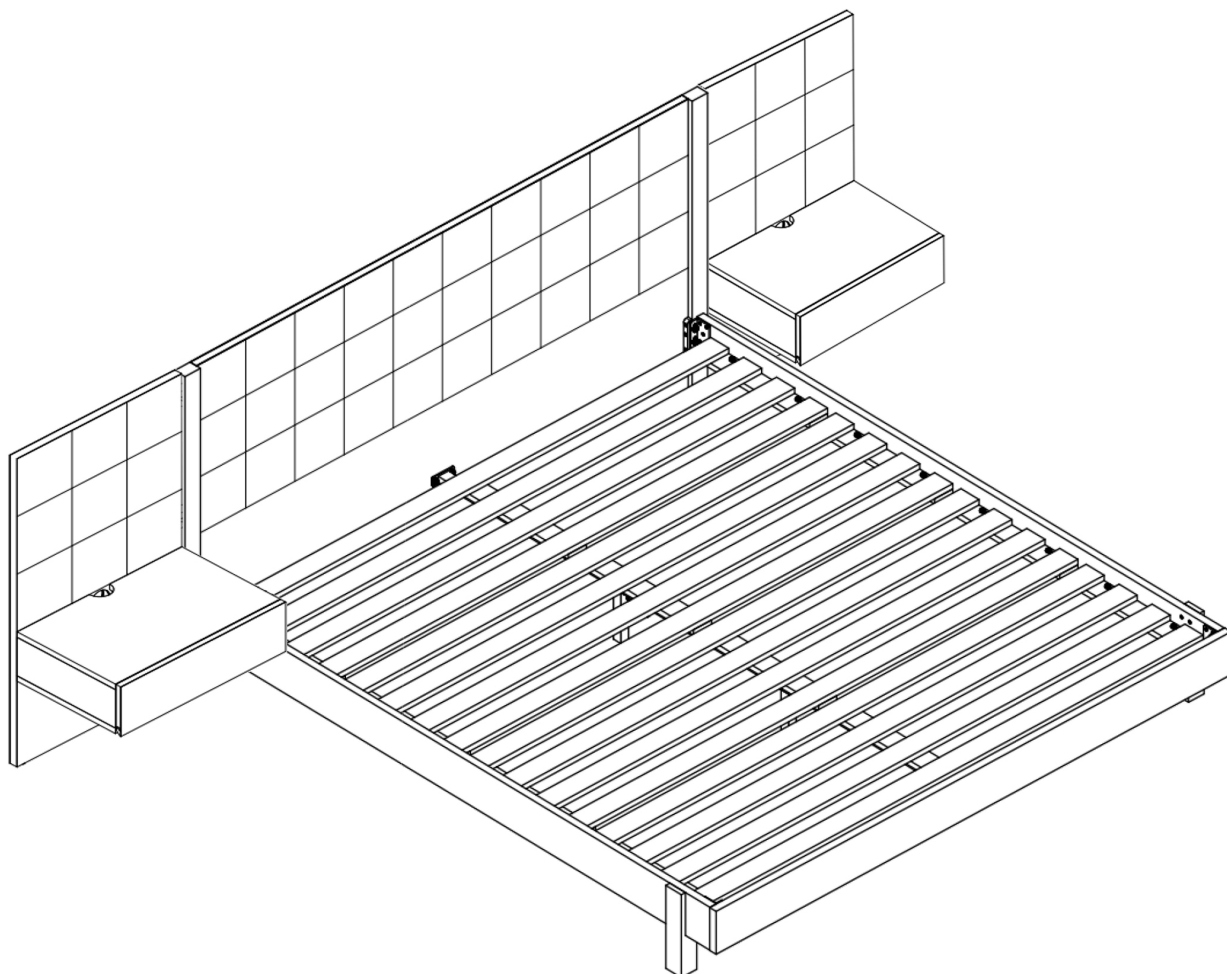


# ARTICLE.

Assembly Instructions

VERSION 1



## AYRA

King and Queen Bed & Nightstand Set

## PART ONE OF TWO - BED ASSEMBLY INSTRUCTIONS

Read these instructions carefully and keep for future reference. Refer to parts inventory for guidance, and ensure you have all pieces before starting

When assembling, place all parts on a soft, clean, and flat surface such as a carpet to prevent scratches.

If you're having difficulty, our friendly Customer Care team is always here to help. Call us at **1.888.746.3455** during business hours, email [service@article.com](mailto:service@article.com) or chat live at [article.com](https://www.article.com)



TIME

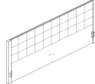

















# OF PEOPLE



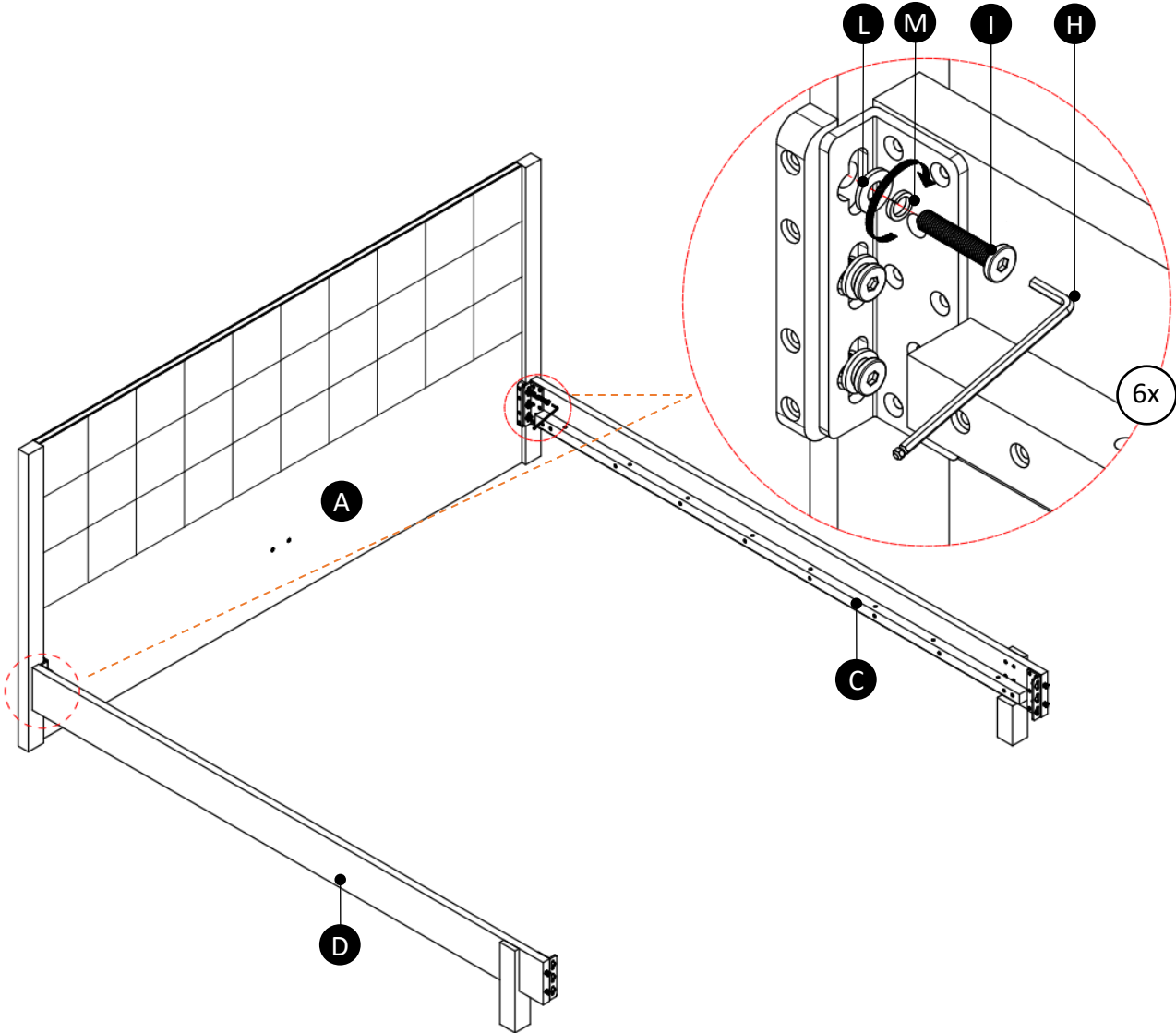
DIFFICULTY



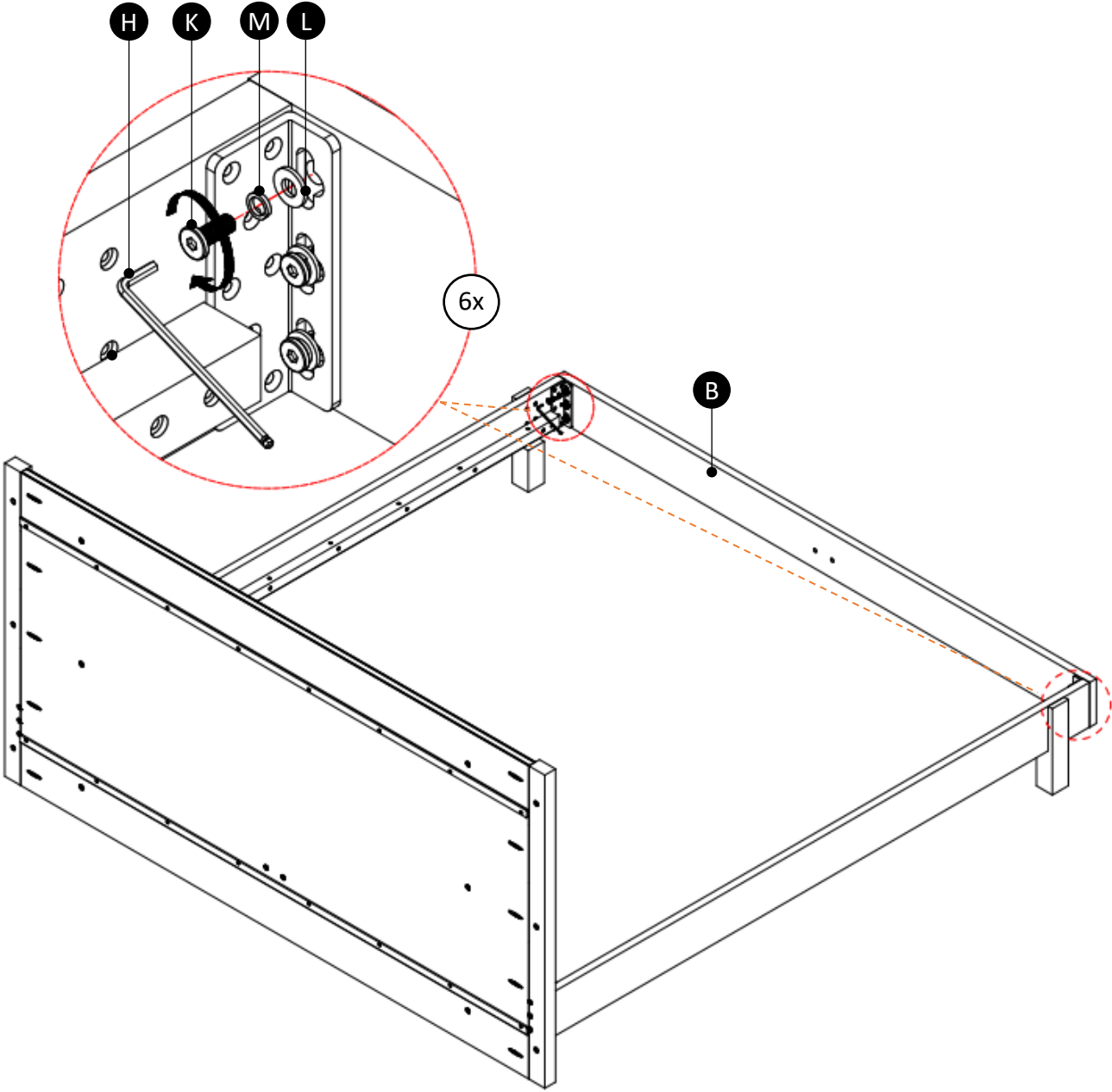
PARTS INVENTORY		
ID	DESCRIPTION	QTY
<b>A</b>	HEADBOARD 	1
<b>B</b>	FOOTBOARD 	1
<b>C</b>	SIDE RAIL -RIGHT 	1
<b>D</b>	SIDE RAIL -LEFT 	1
<b>E</b>	CENTER FRAME 	1
<b>F</b>	CENTER LEG 	2
<b>G</b>	SLATS 	4

PARTS INVENTORY CONT		
ID	DESCRIPTION	QTY
<b>H</b>	ALLEN KEY 	1
<b>I</b>	M8x45 MM BOLT 	6
<b>K</b>	M8x20 MM BOLT 	10
<b>L</b>	WASHER M8 	16
<b>M</b>	LOCK WASHER M8 	16
<b>N</b>	M6x20 MM BOLT 	4
<b>O</b>	M6x30 MM BOLT 	16
<b>P</b>	WASHER M6 	20
<b>Q</b>	LOCK WASHER M6 	20

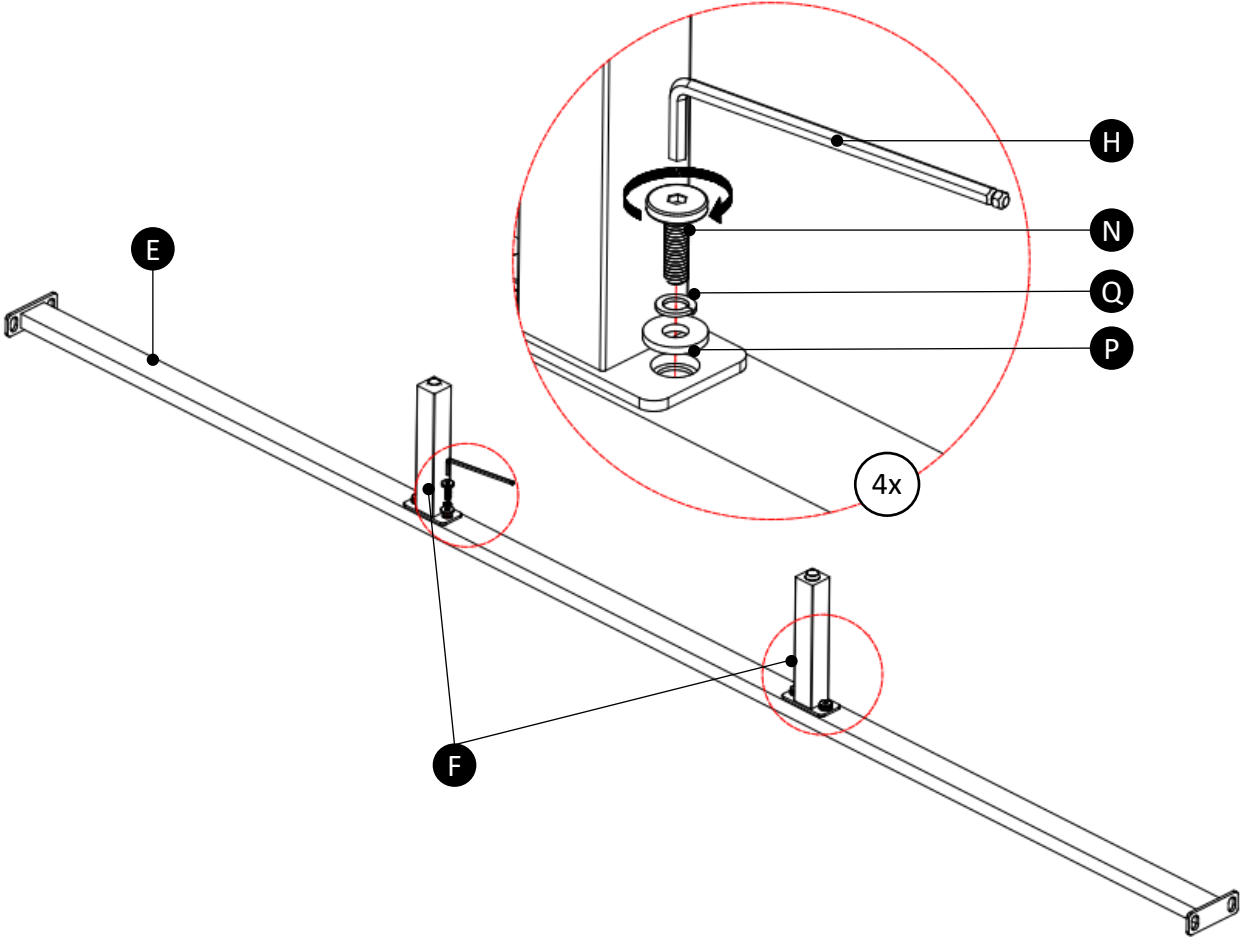
1



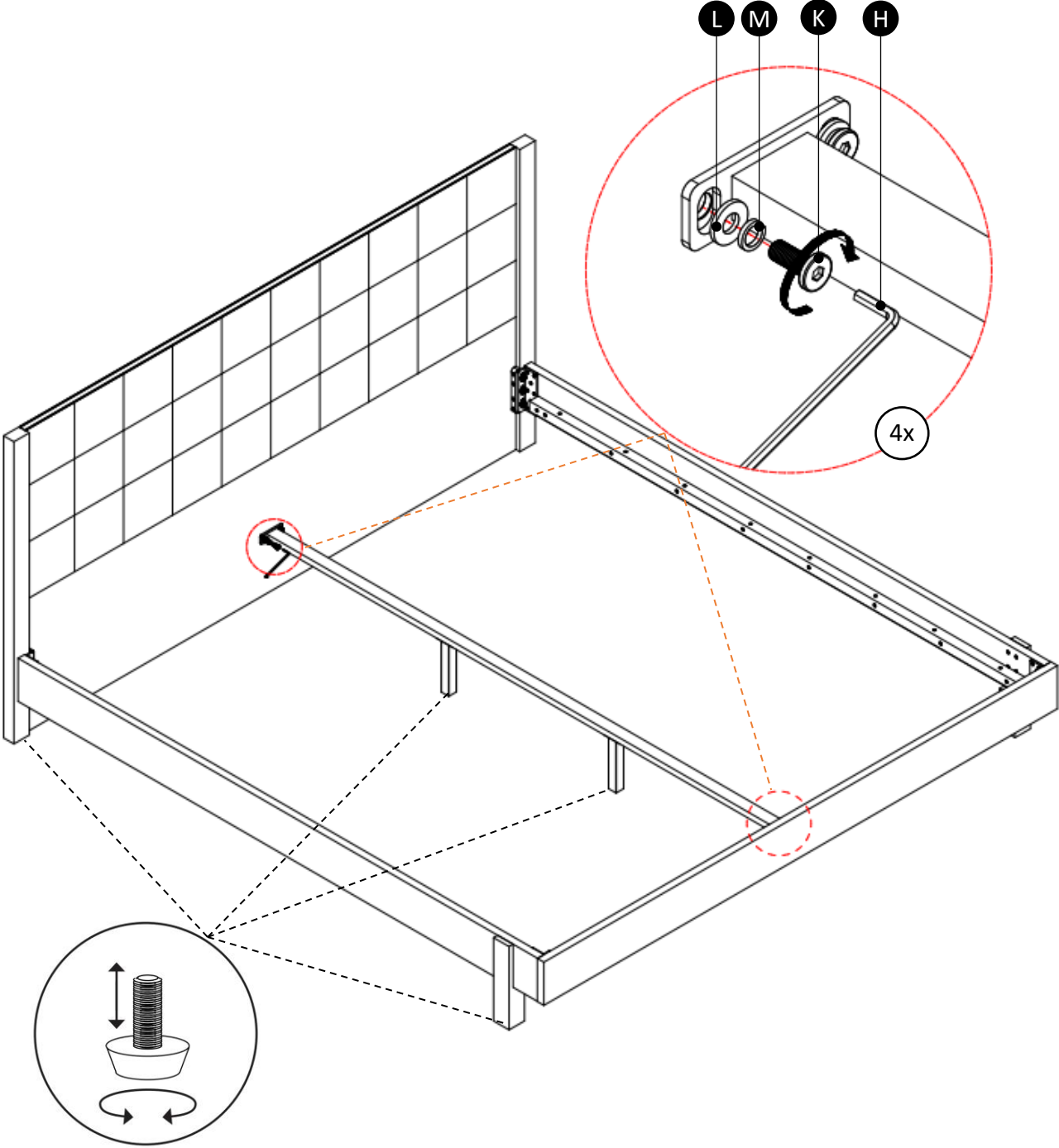
2



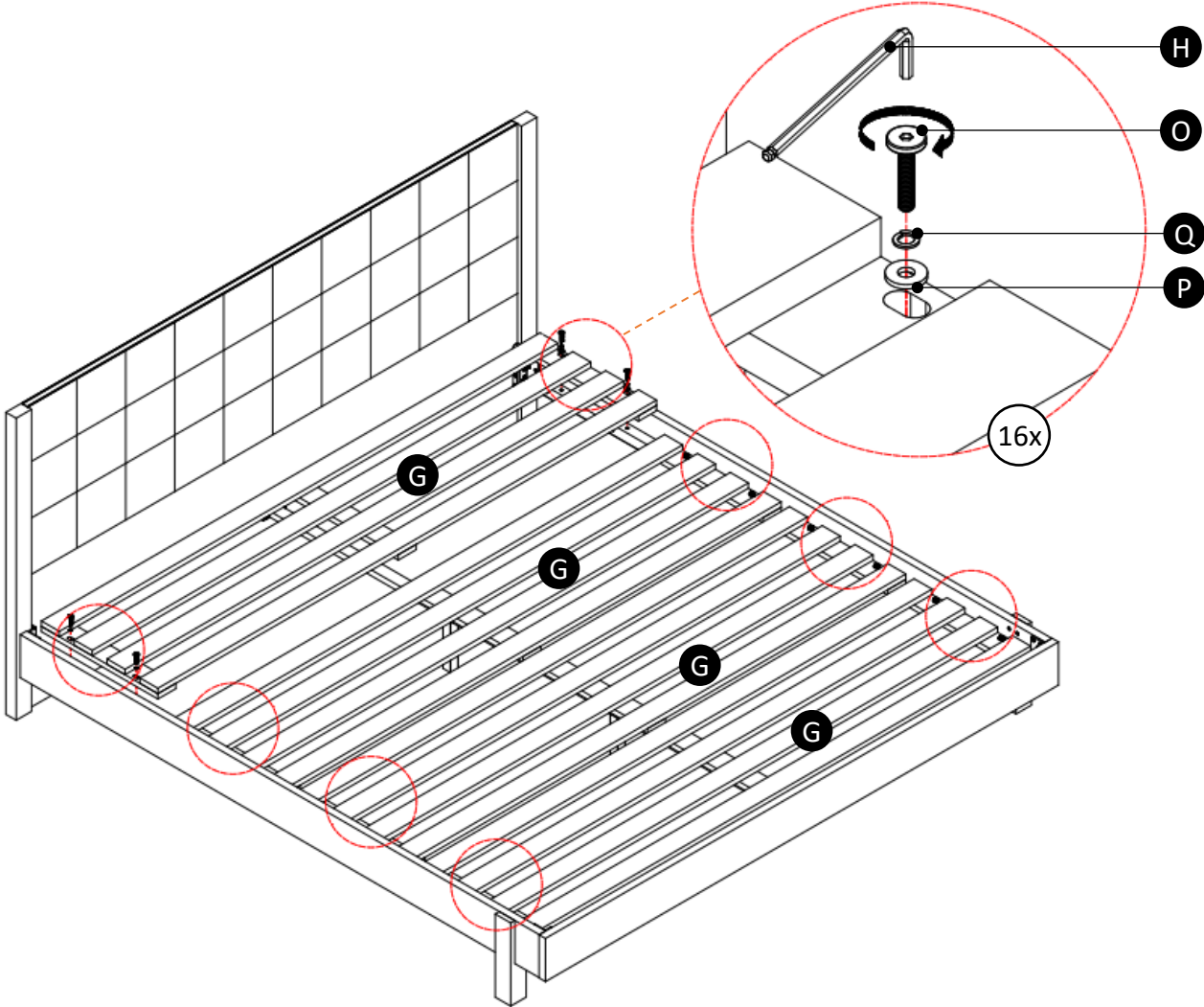
3



4



5

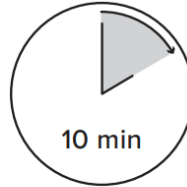


## PART TWO OF TWO - NIGHTSTANDS ASSEMBLY INSTRUCTIONS

Read these instructions carefully and keep for future reference. Refer to parts inventory for guidance, and ensure you have all pieces before starting

When assembling, place all parts on a soft, clean, and flat surface such as a carpet to prevent scratches.

If you're having difficulty, our friendly Customer Care team is always here to help. Call us at **1.888.746.3455** during business hours, email [service@article.com](mailto:service@article.com) or chat live at [article.com](https://www.article.com)

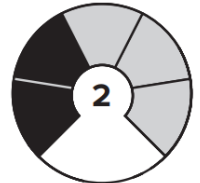


10 min

TIME











# OF PEOPLE



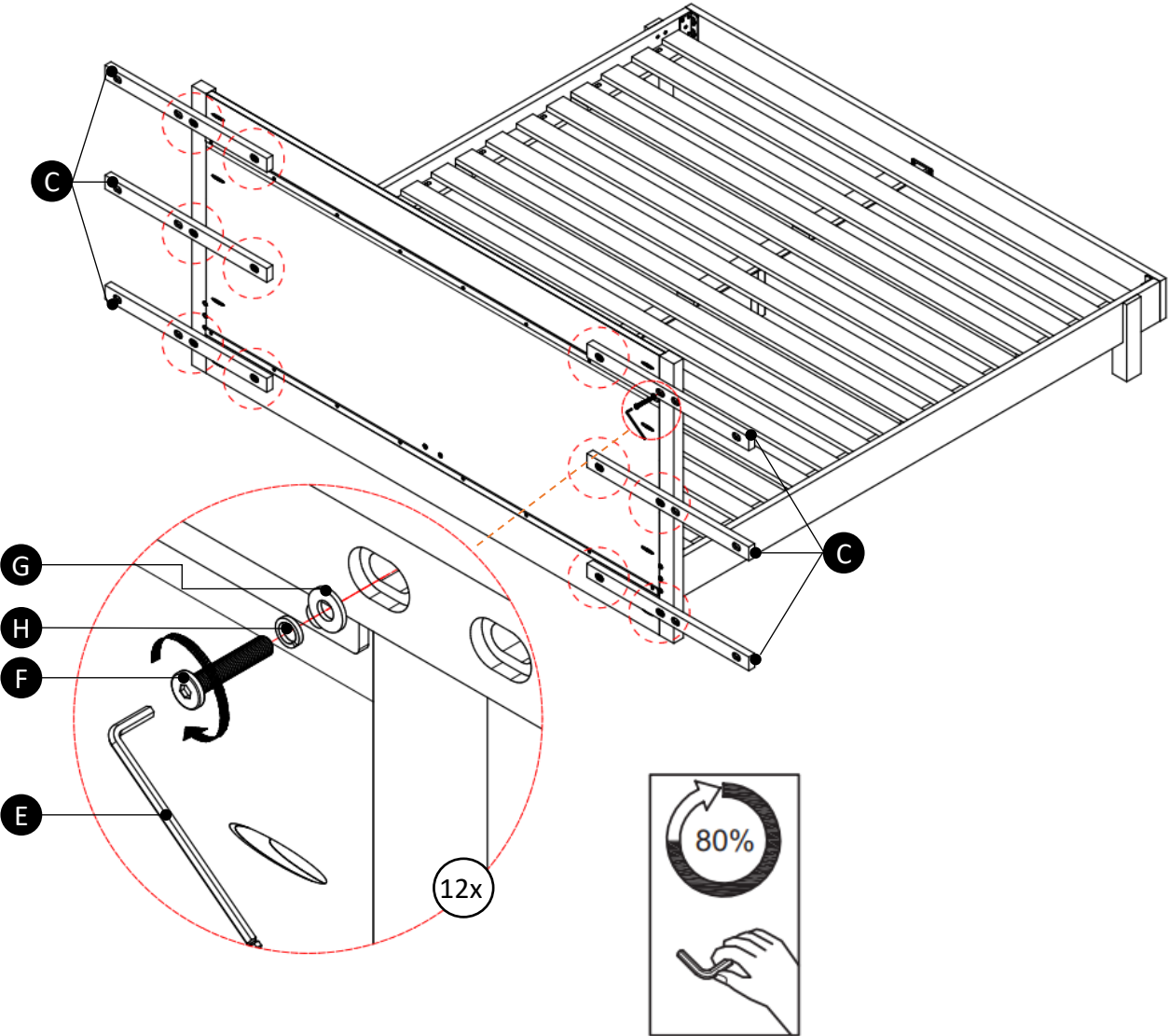
DIFFICULTY



PARTS INVENTORY		
ID	DESCRIPTION	QTY
<b>A</b>	LEFT BACK PANEL 	1
<b>B</b>	RIGHT BACK PANEL 	1
<b>C</b>	FRAME PART 	6
<b>D</b>	DRAWER CLUSTER 	2

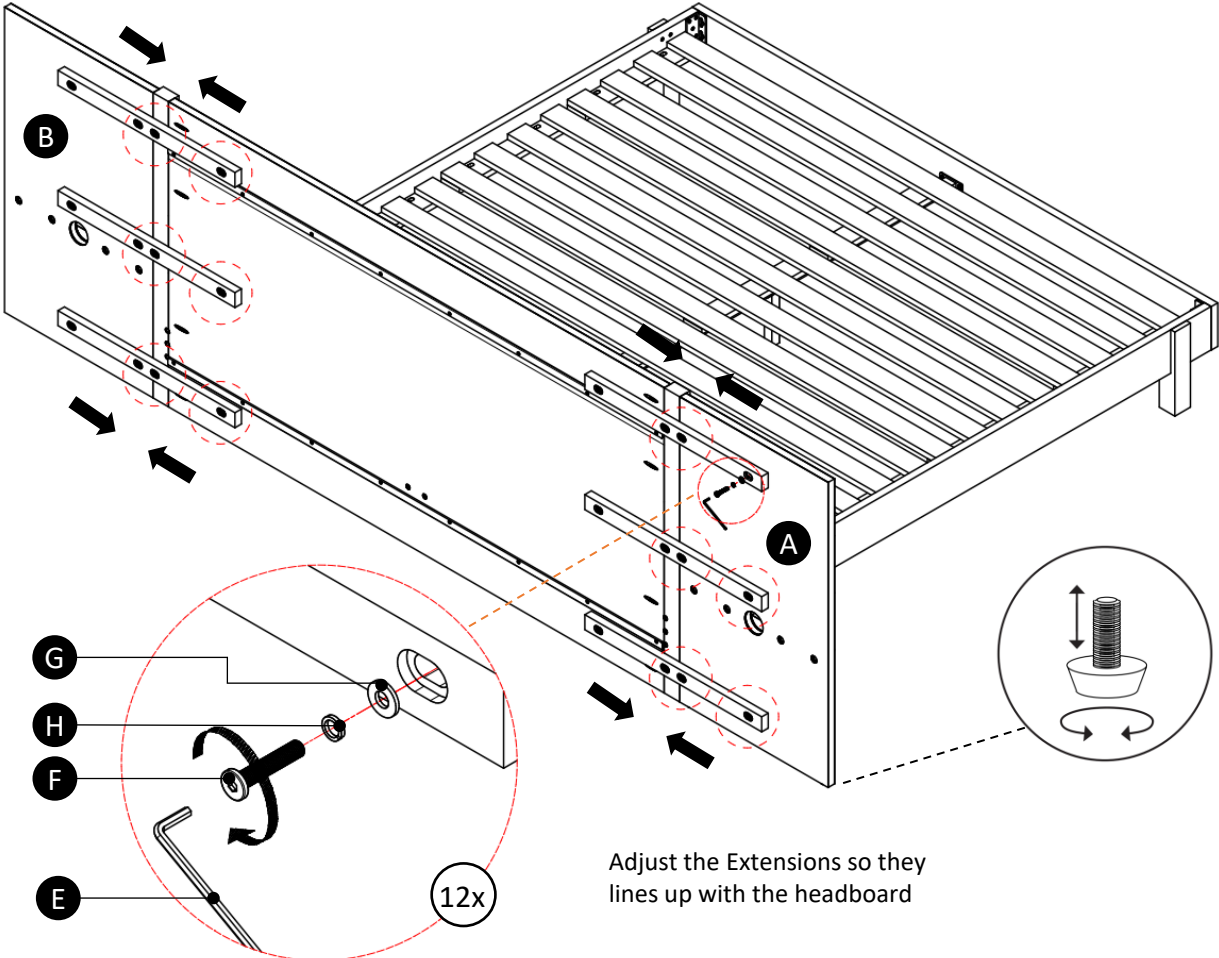
PARTS INVENTORY CONT		
ID	DESCRIPTION	QTY
<b>E</b>	ALLEN KEY 	1
<b>F</b>	M8x40 MM BOLT 	32
<b>G</b>	WASHER M8 	32
<b>H</b>	LOCK WASHER M8 	32

1



! Do not fully tighten bolts.

2



Adjust the Extensions so they lines up with the headboard



! Fully tighten all bolts

3

