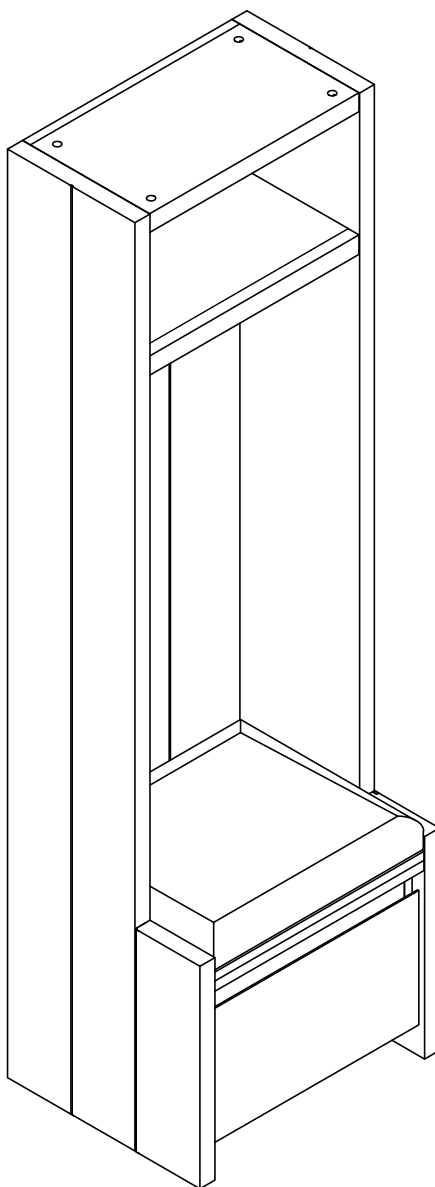


# ARTICLE.

VERSION 1.0

## Assembly Instructions



# CASSIE

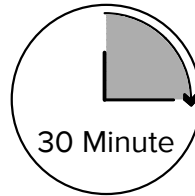
Cassie 22" Hall Tree

### ASSEMBLY INSTRUCTIONS

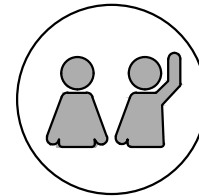
Read these instructions carefully and keep for future reference. Refer to parts inventory for guidance, and ensure you have all pieces before starting.

When assembling, place all parts on a soft, clean, and flat surface such as a carpet to prevent scratches.

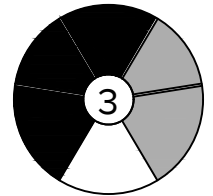
If you're having difficulty, our friendly Customer Care team is always here to help. Call us at **1.888.746.3455** during business hours, email **service@article.com** or chat live at **article.com**.



TIME



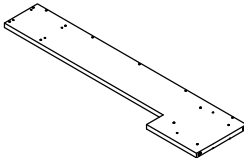
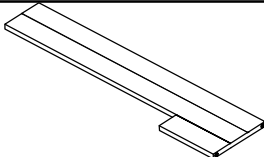
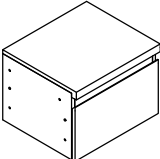
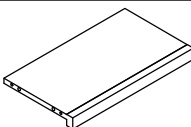
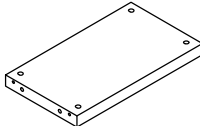
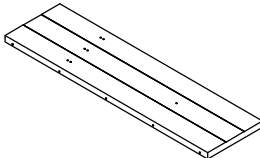
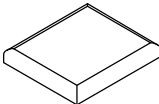
# OF PEOPLE

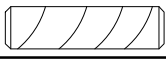
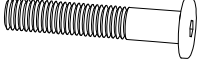

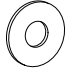
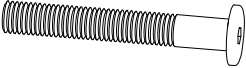



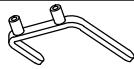
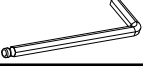




DIFFICULTY

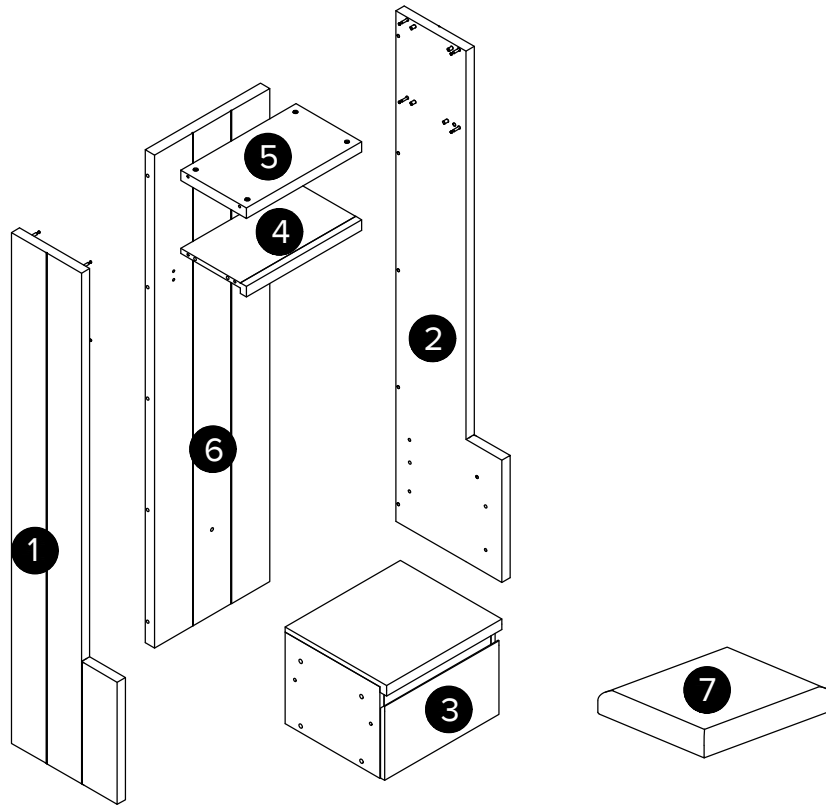


ANTI-TIP  
Installation Required

PARTS INVENTORY		
ID	DESCRIPTION	QTY
1	LEFT PANEL 	1
2	RIGHT PANEL 	1
3	CABINET 	1
4	SHELF 	1
5	TOP 	1
6	BACK PANEL 	1
7	SEAT CUSHION 	1

HARDWARE LIST			
ID	DESCRIPTION		QTY
A	Ø10X35 WOOD DOWEL		12
B	M6X40 BOLT		9
C	SPRING WASHER		19
D	FLAT WASHER		19
E	M6X60 BOLT		10
F	CAMLOCK BOLT		8
G	CAMLOCK NUT		8
H	M4X20 BOLT		6
I	COAT HOOKS		3
J	ALLEN KEY		1
K	SCREW DRIVER		1
Q	STICKER		8

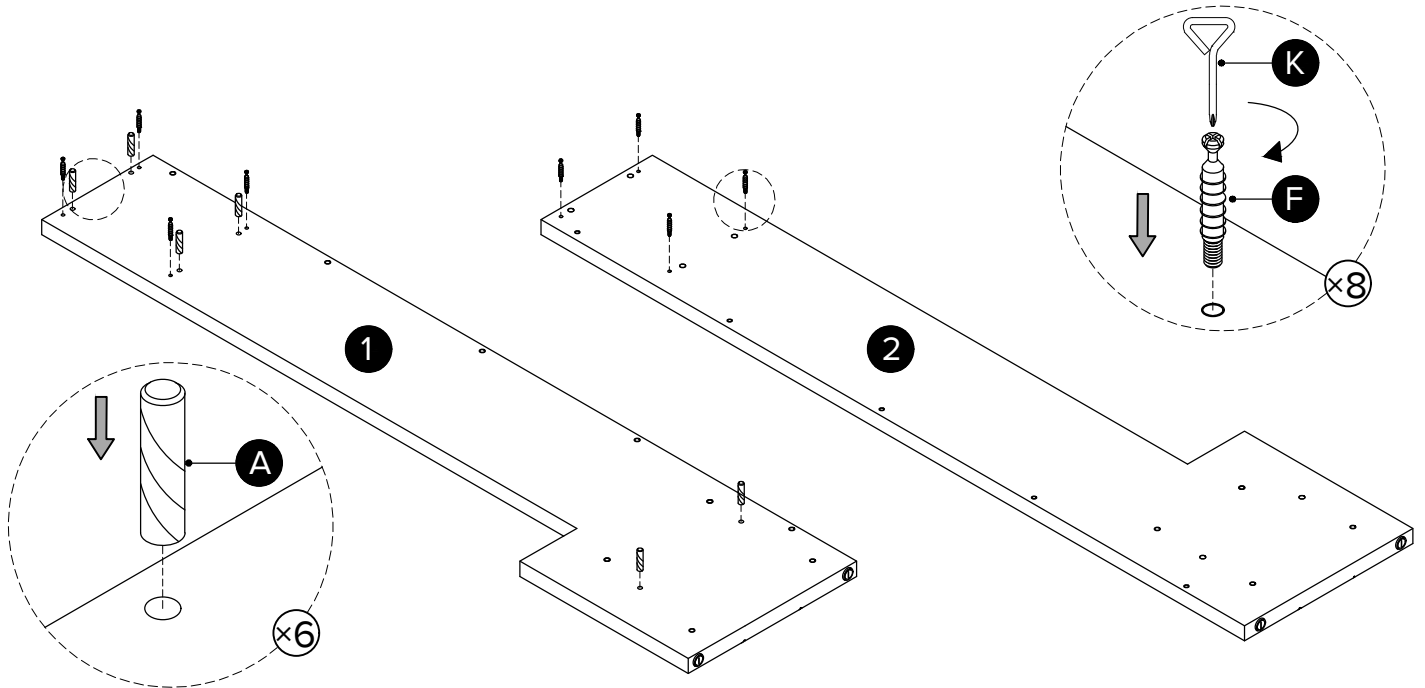
i



1

! Place all parts on a soft, clean, and flat surface such as a carpet to prevent scratches.

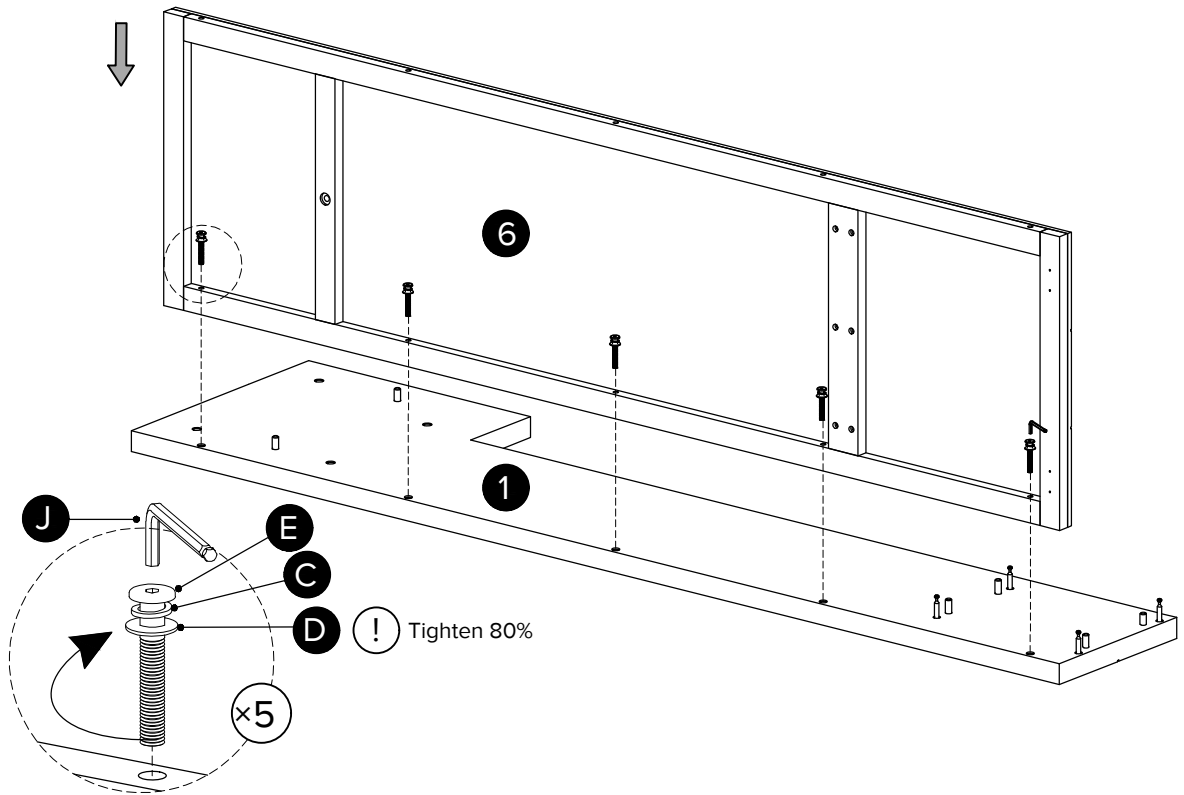
! Ensure cam bolts (F) are tighten 100% at this step.



! Do not attach the wooden dowels (A) onto right side panel (2) at this step. Only attach on left side panel (1).

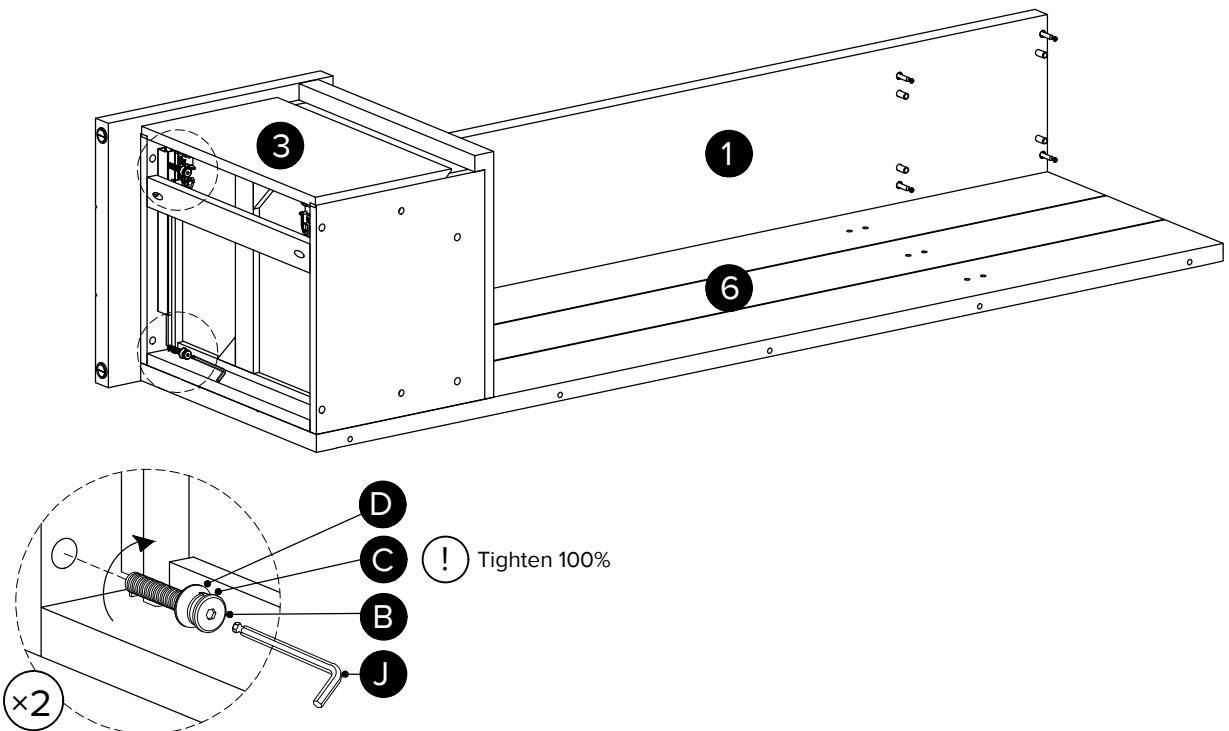
2

! Place the left side panel (1) on the floor .



3

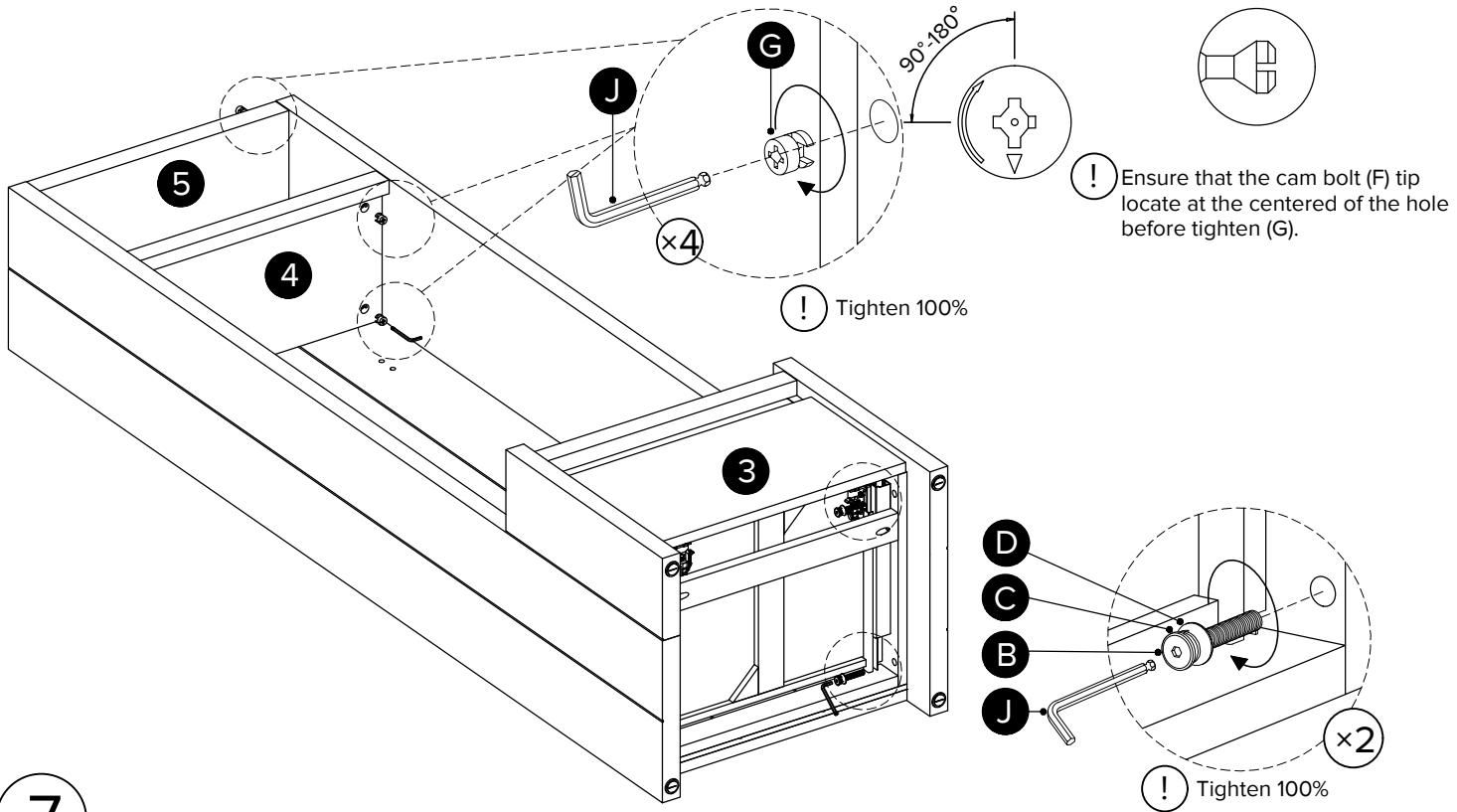
! Carefully rotate the back panel (6) on the floor .



! Attach 2 bolts (B) at the bottom of the cabinet (3)

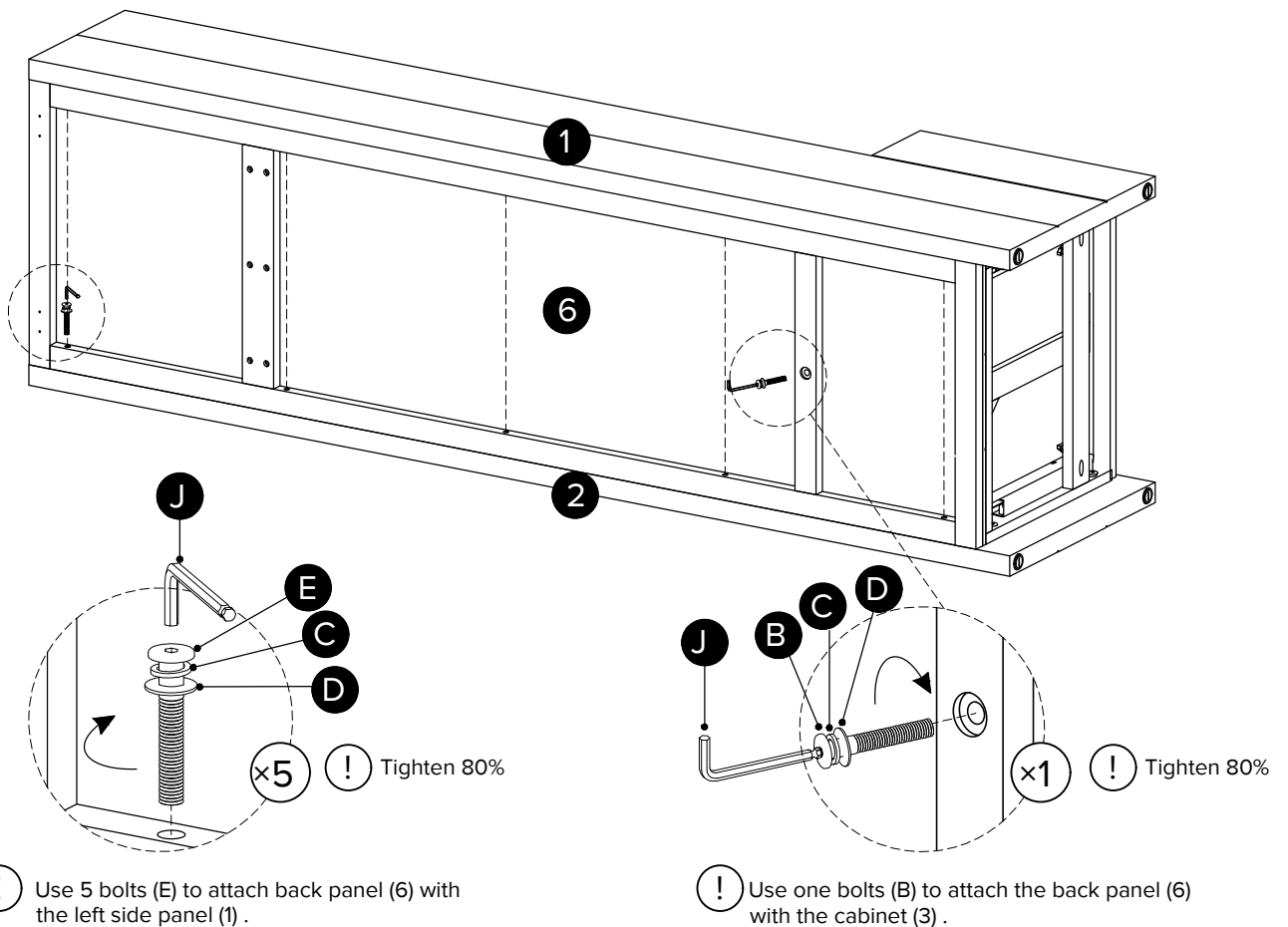
6

! Tighten the lock (G) on the shelf (4), top (5), then using the two bolt (B) with (C),(D) at the bottom.



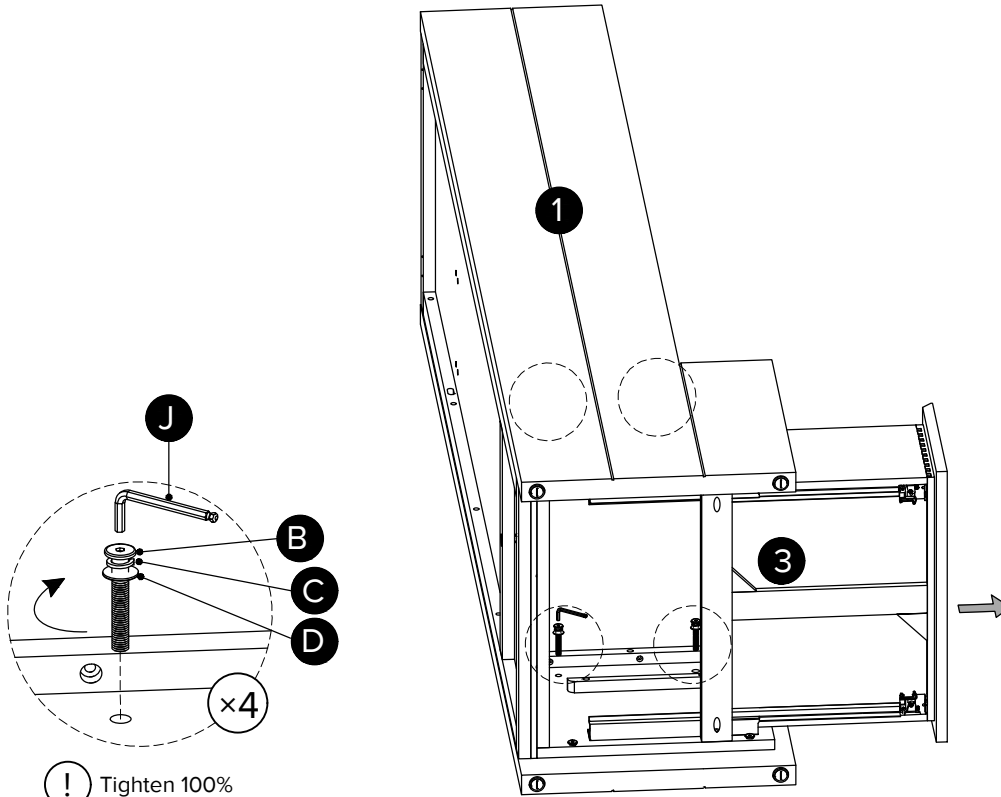
7

! Carefully rotate the side panel (2) on the floor.



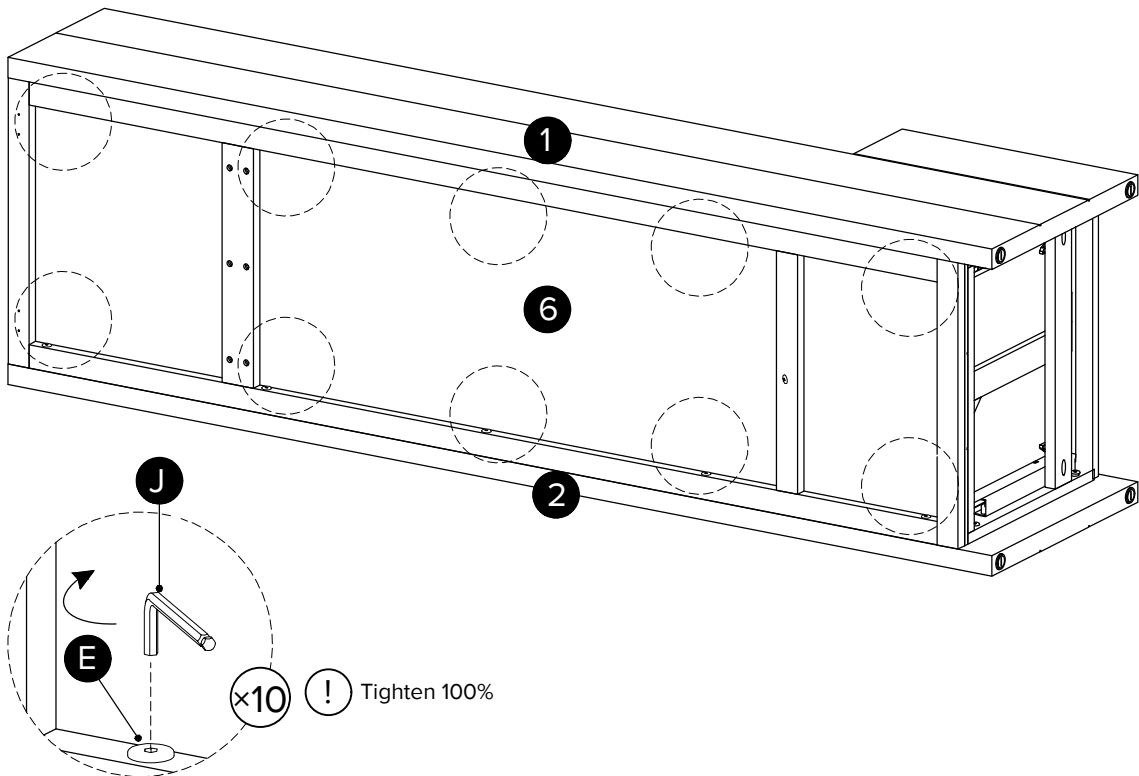
8

! Pull the drawer of the cabinet (3) out to attach four bolts (B) with 2 side panels (1) and (2).

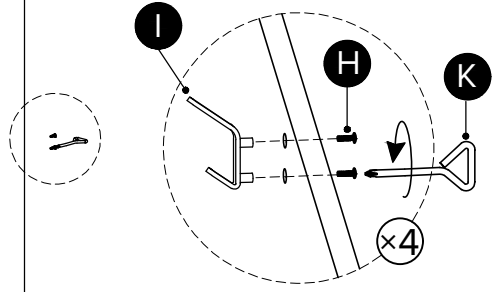
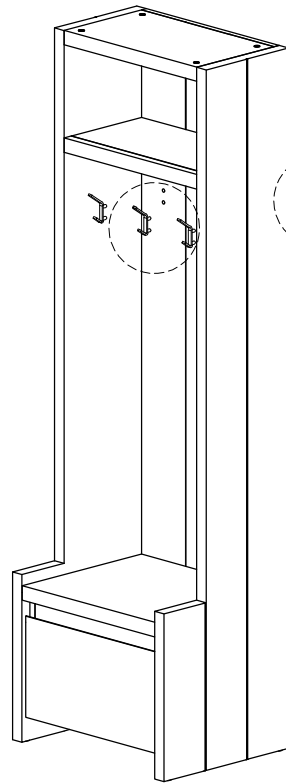


9

! Tighten bolts (E) before setting up the cabinet.



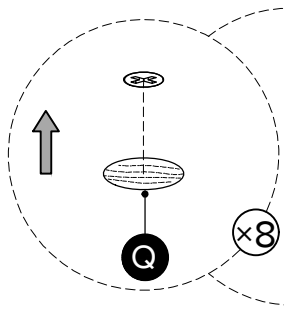
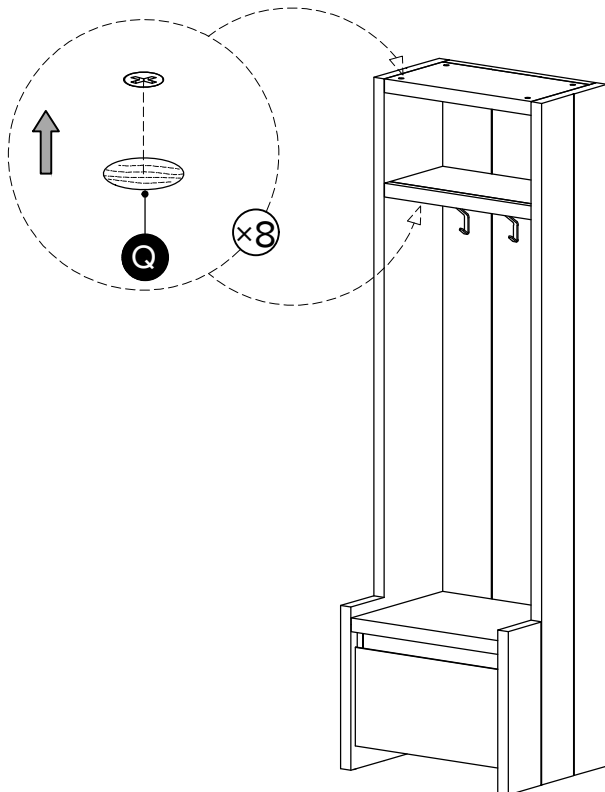
10



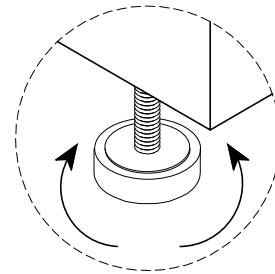
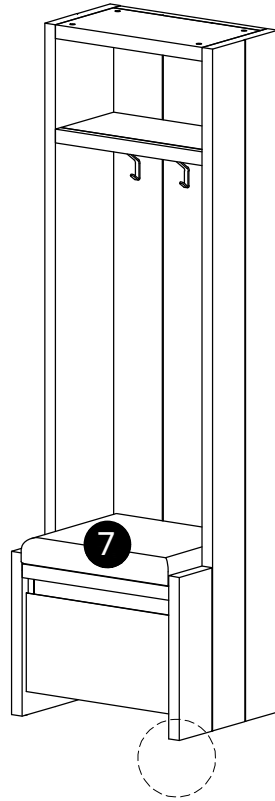
**!**  
**CAUTION!**  
Please take care when lifting, this unit is very heavy!

11

**!** Paste the sticker (Q) to cover the cam lock nuts on the shelf (4) and the top (5).



12

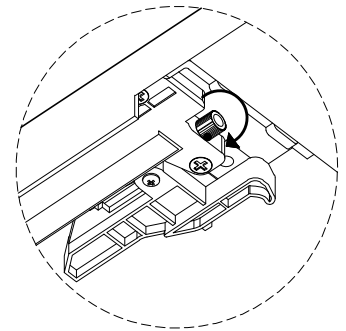
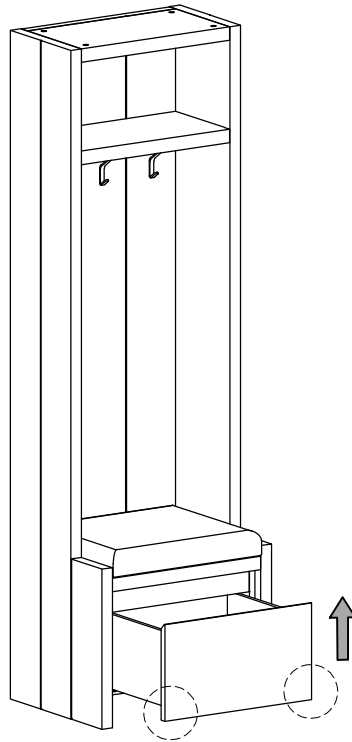


! Adjust leveler as needed

## FIX A CROOKED DRAWER

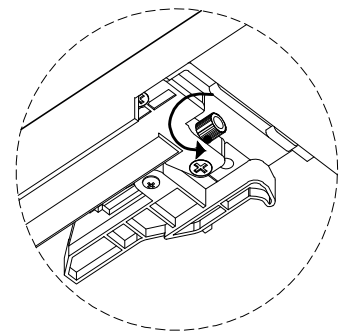
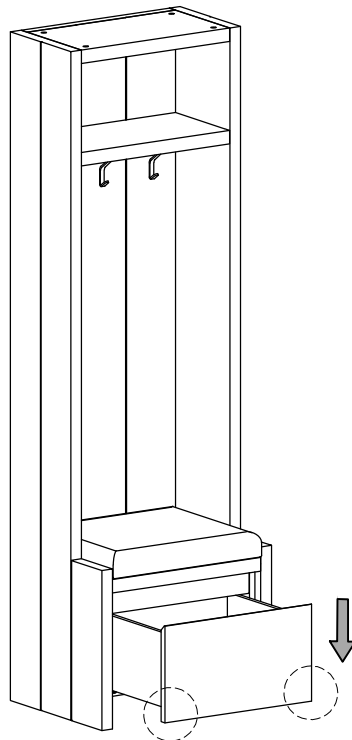
---

If the drawer needs to be raised:



! Rotate the adjustment wheel on the drawer glides in the direction of the arrow.

If the drawer needs to be lowered:



! Rotate the adjustment wheel on the drawer glides in the direction of the arrow.

# ARTICLE.

1010 Raymur Ave  
Vancouver, BC V6A 3T2

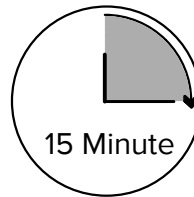


## ANTI-TIP RESTRAINT INTALLATION

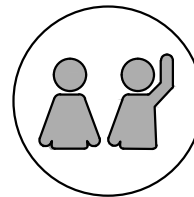
### WARNING!

Children have died from furniture tipover  
To reduce the risk of furniture tipover:

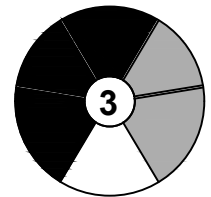
- . ALWAYS install anti-tip device provided.
- . NEVER put a TV on this product.
- . NEVER allow children to stand, climb or hang on any drawers, doors, or shelves
- . NEVER open more than one drawer at a time.
- . Place heaviest items in the lowest drawers.



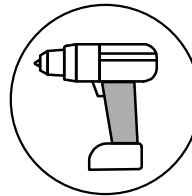
TIME



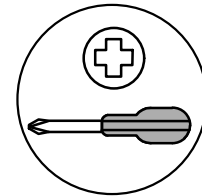
# OF PEOPLE



DIFFICULTY



REQUIRED TOOL  
8MM / 5/16" DRILL BIT

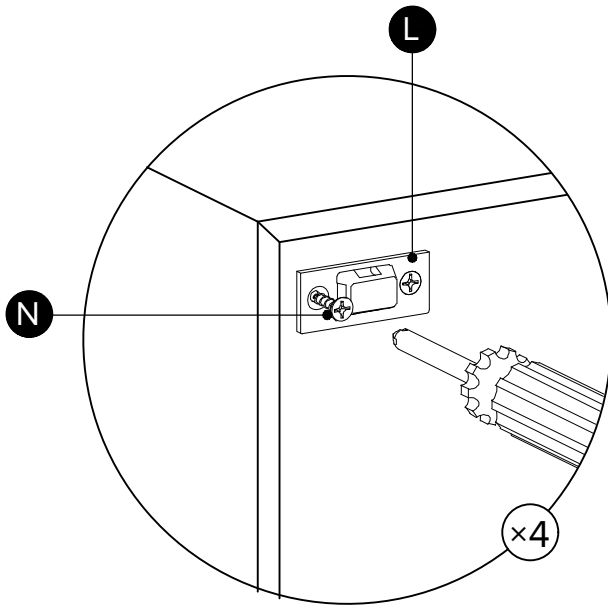


REQUIRED TOOL

PARTS INVENTORY			
ID	DESCRIPTION		QTY
<b>L</b>	BRACKET		4
<b>M</b>	PLUG		4
<b>N</b>	SCREW M4x20MM		4
<b>O</b>	SCREW M5x70MM		4
<b>P</b>	STRAP		2

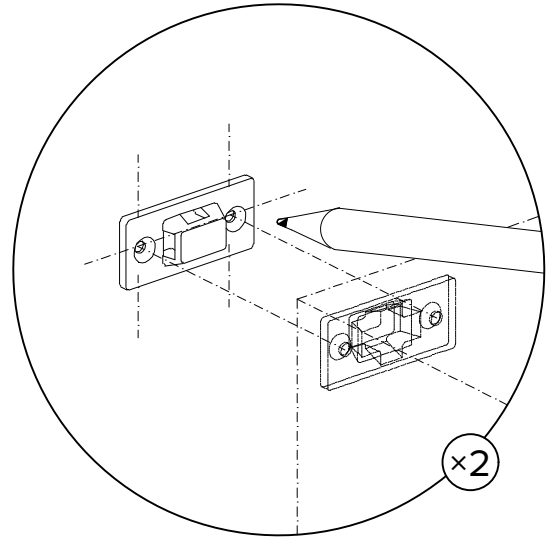
Hardware (M/O) to attach brackets to wall is designed for drywall. To attach this unit to another type of wall, consult with your local hardware store.

1



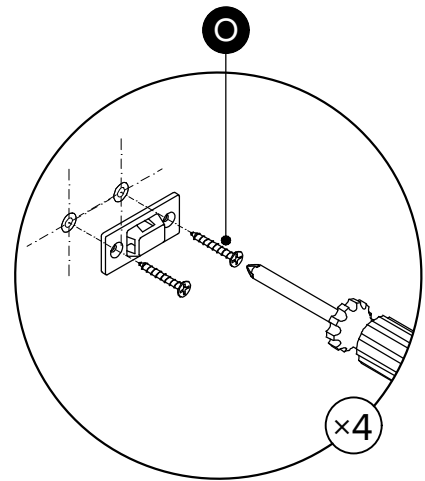
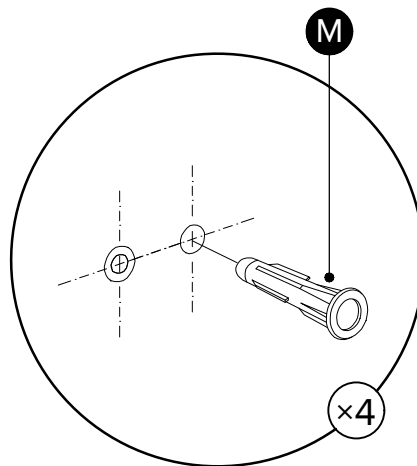
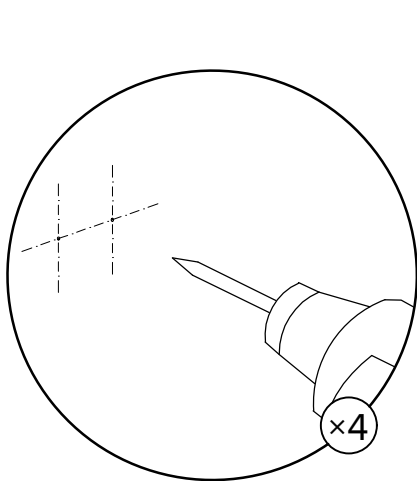
Attach pair of brackets to top corners of the back of the unit.

2



Mark on wall where second pair of brackets should be placed.

3

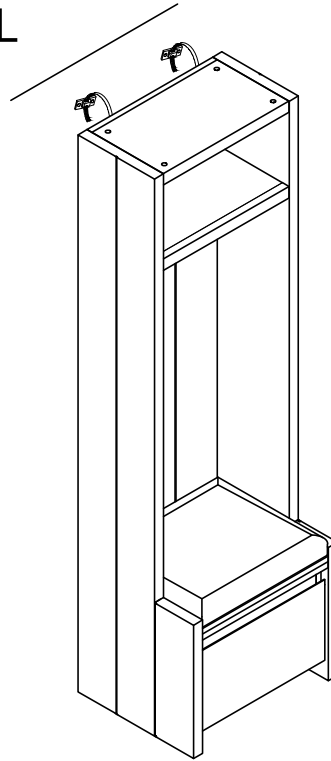


Drill holes in wall using 8mm / 5/16" drill bit.

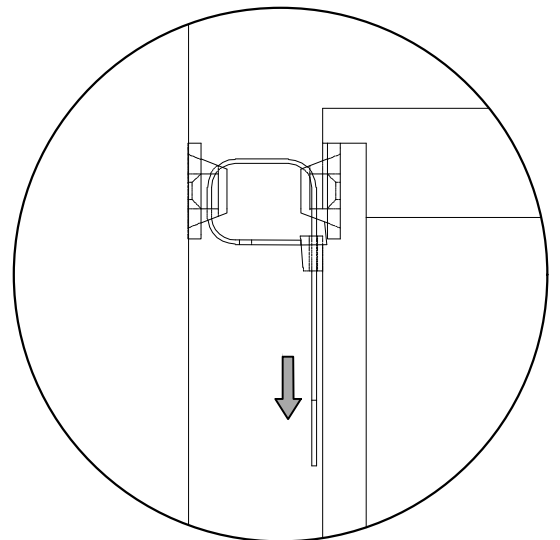
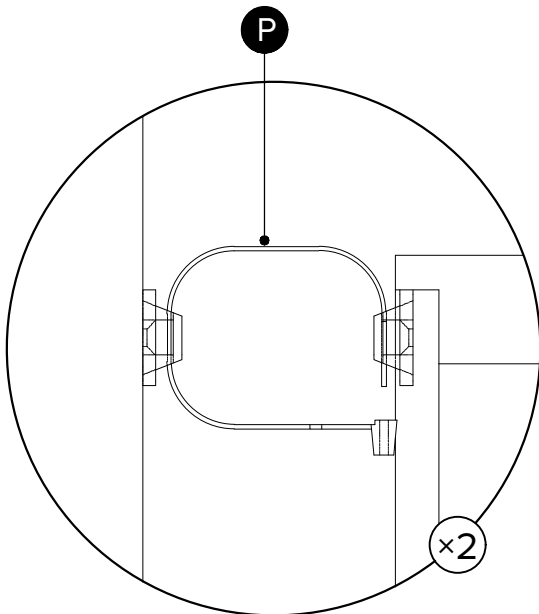
4A

Align brackets on unit  
with brackets on wall.

WALL



4B



Pull strap down until it snap-locks.