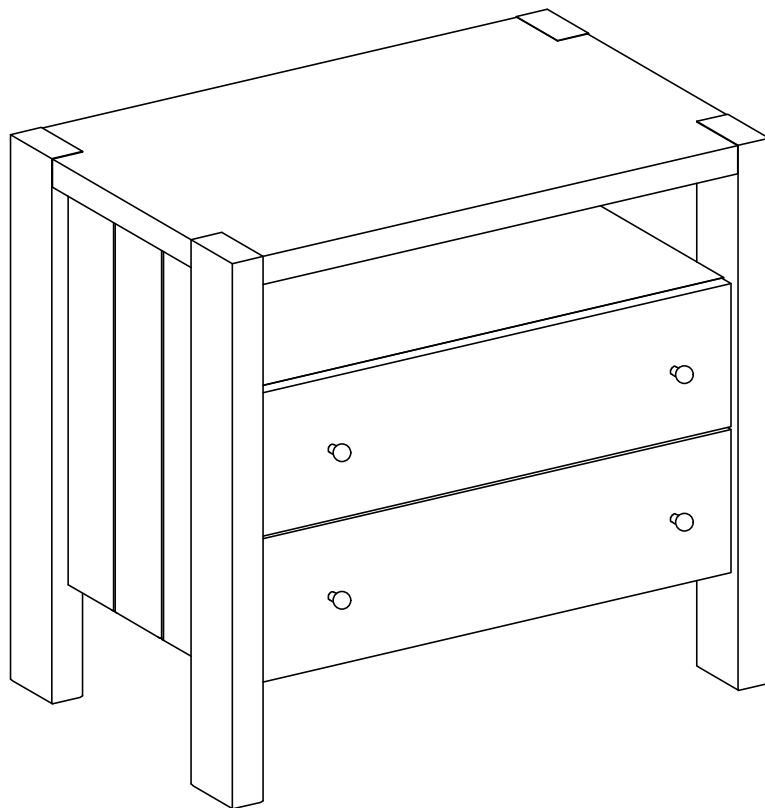


ARTICLE.

VERSION 1.0



CASSIE

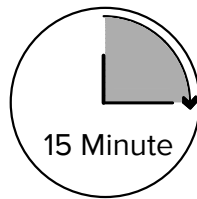
2-Drawer Nightstand

ASSEMBLY INSTRUCTIONS

Read these instructions carefully and keep for future reference. Refer to parts inventory for guidance, and ensure you have all pieces before starting.

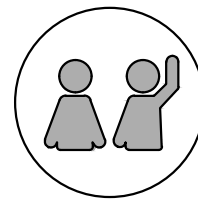
When assembling, place all parts on a soft, clean, and flat surface such as a carpet to prevent scratches.

If you're having difficulty, our friendly Customer Care team is always here to help. Call us at **1.888.746.3455** during business hours, email **service@article.com** or chat live at **article.com**.

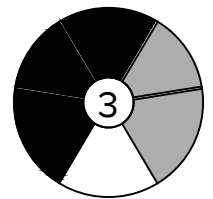


15 Minute


TIME




OF PEOPLE

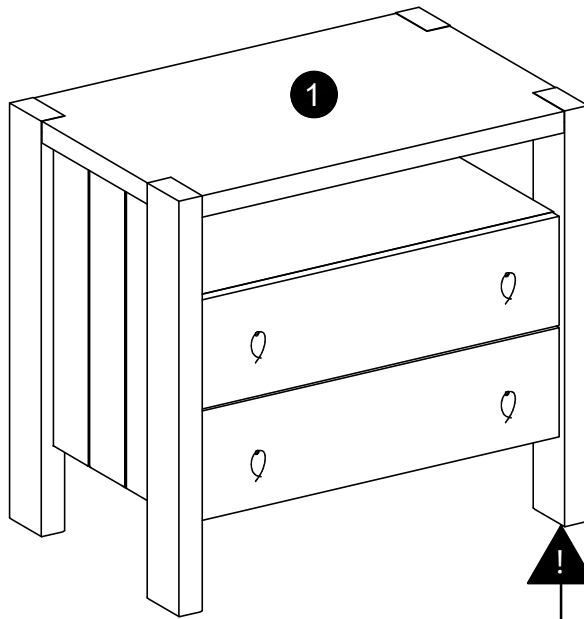


DIFFICULTY

PARTS INVENTORY			
ID	DESCRIPTION		QTY
1	CABINET BODY 		1

HARDWARE LIST		
ID	DESCRIPTION	QTY
A	SCREW DRIVER 	1

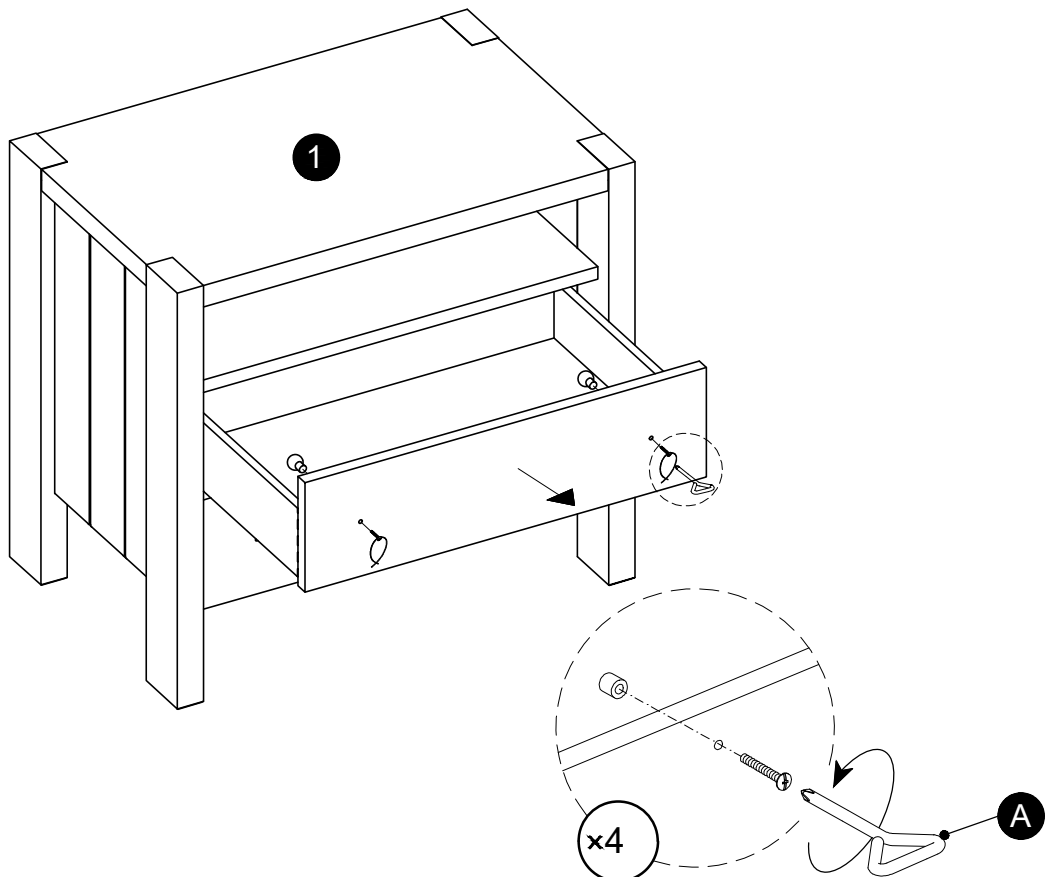
i



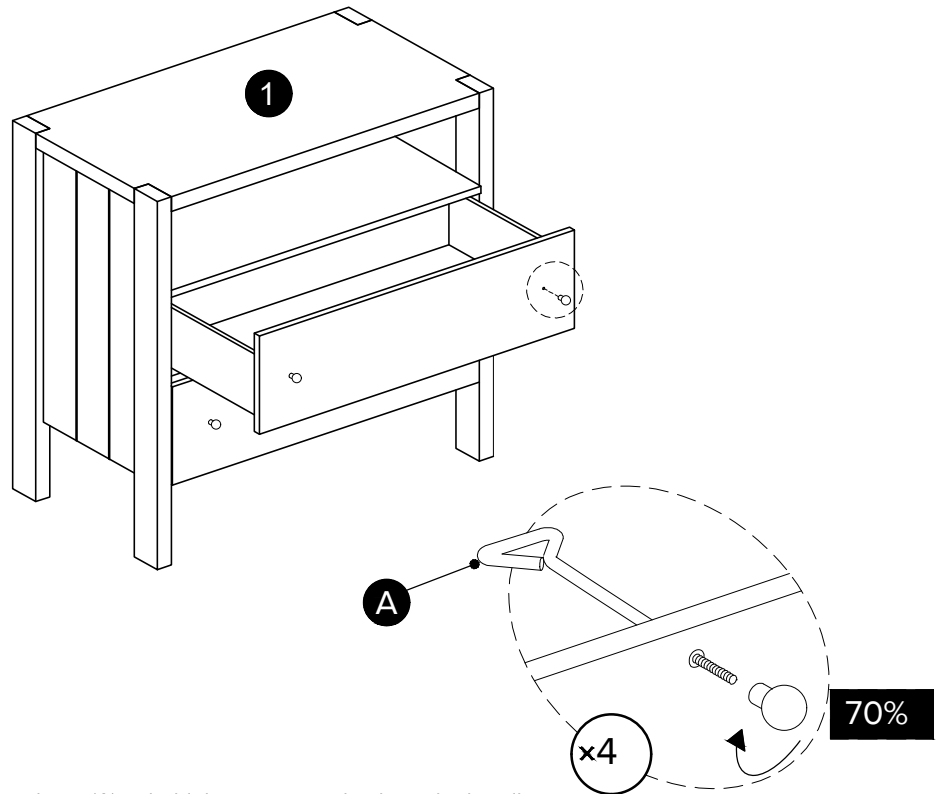
CAUTION !
Please take care when lifting, this unit is heavy! Do not drag the unit when moving, must be lifted to prevent damaging the legs!

1

! Handles are assembled inside of the drawer boxes to protect them from damage during transportation, please detach them and reassemble from the front of drawers.

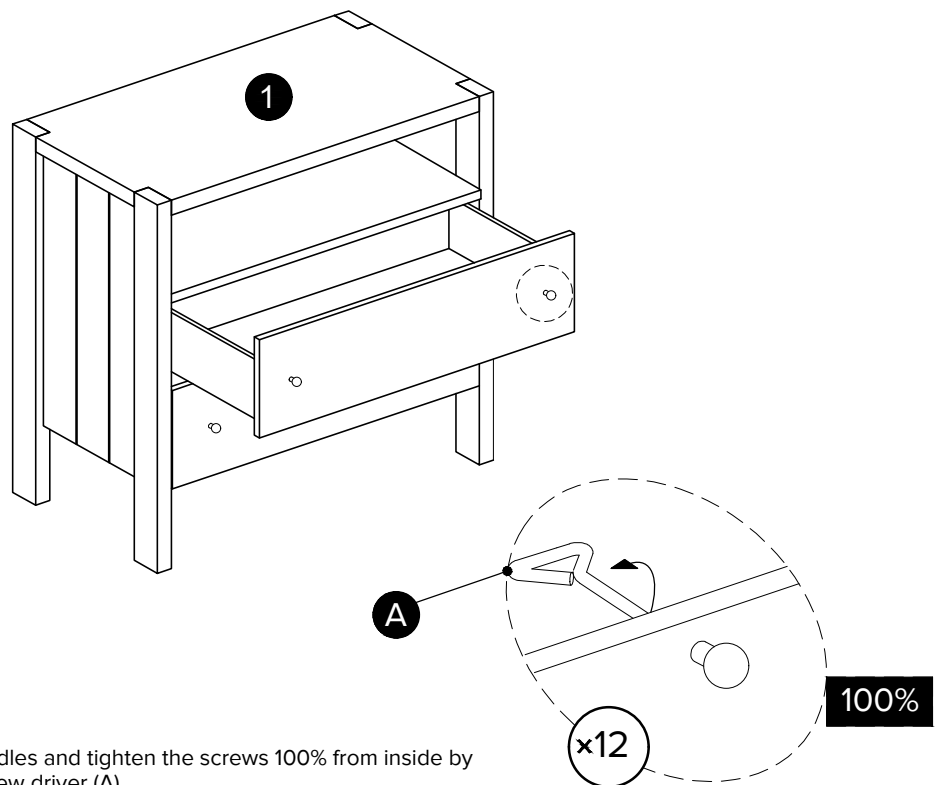


2



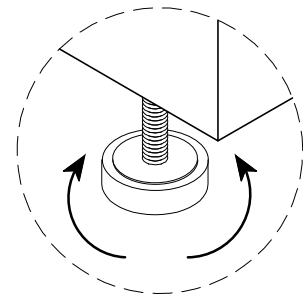
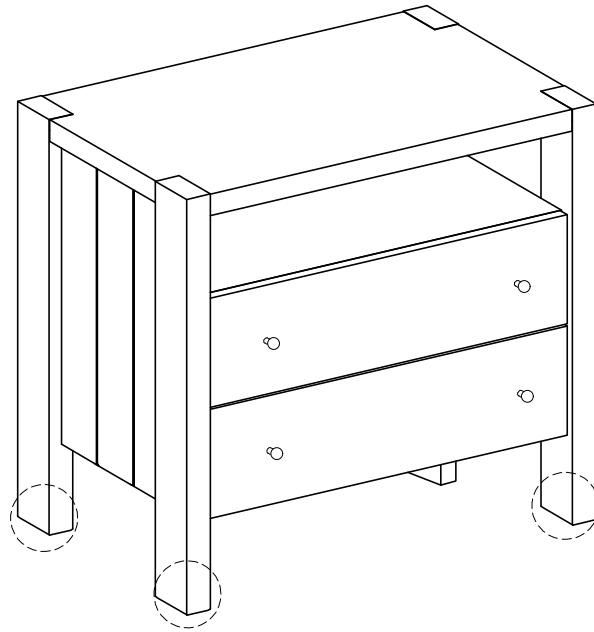
3

! Use the screw driver (A) to hold the screws and tighten the handles.



! Hold the handles and tighten the screws 100% from inside by using the screw driver (A)

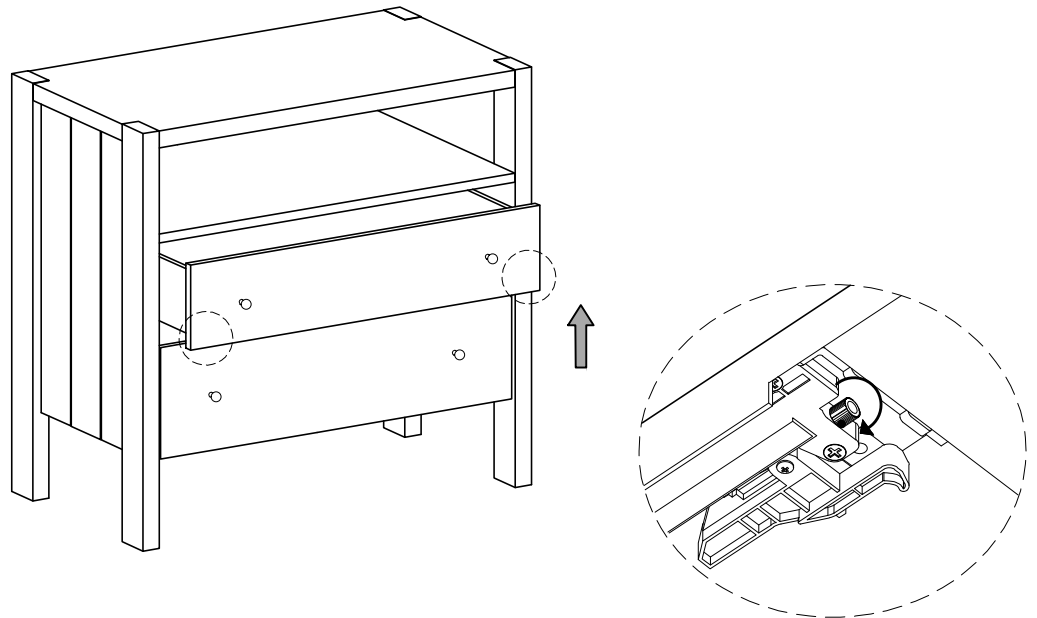
4



ⓘ Adjust leveler as needed

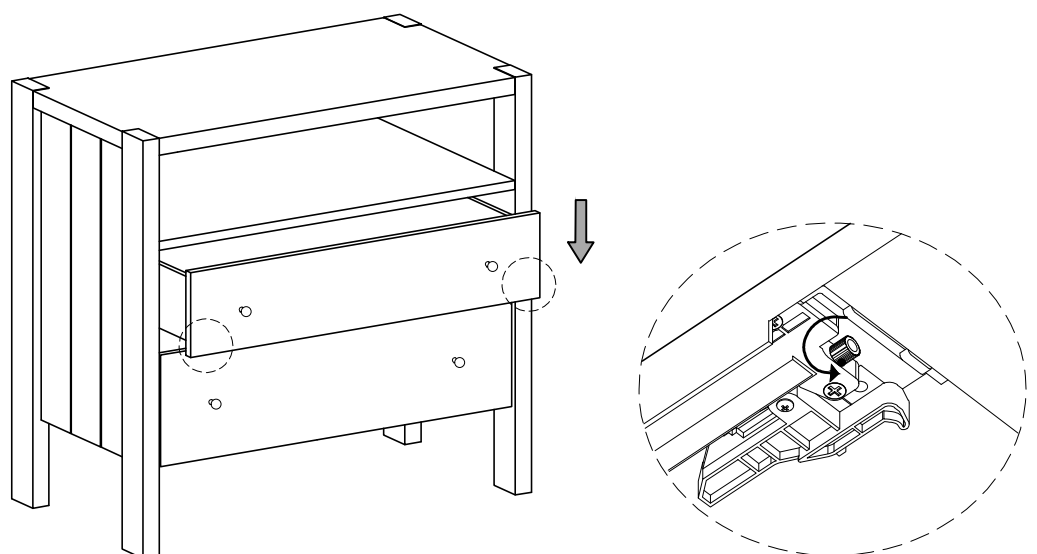
FIX A CROOKED DRAWER

If the drawer needs to be raised:



! Rotate the adjustment wheel on the drawer glides in the direction of the arrow.

If the drawer needs to be lowered:



! Rotate the adjustment wheel on the drawer glides in the direction of the arrow.