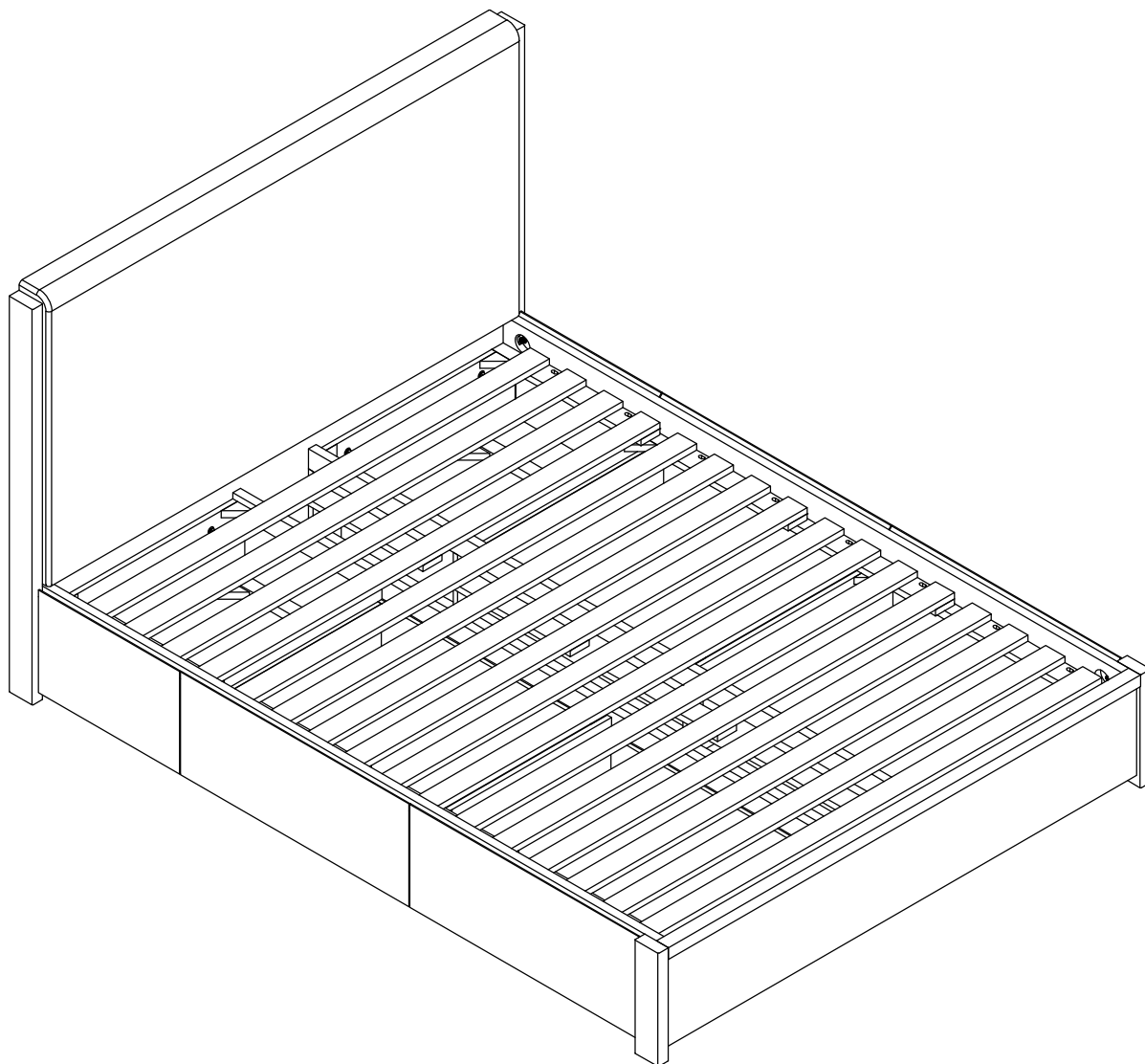


ARTICLE.

VERSION 1.0

Assembly Instructions



CASSIE

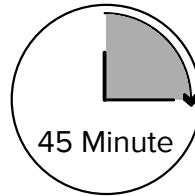
Upholstered Storage Bed

ASSEMBLY INSTRUCTIONS

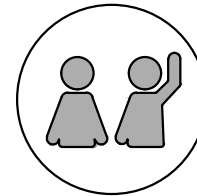
Read these instructions carefully and keep for future reference. Refer to parts inventory for guidance, and ensure you have all pieces before starting.

When assembling, place all parts on a soft, clean, and flat surface such as a carpet to prevent scratches.

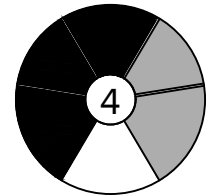
If you're having difficulty, our friendly Customer Care team is always here to help. Call us at **1.888.746.3455** during business hours, email **service@article.com** or chat live at **article.com**.



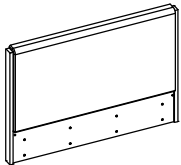
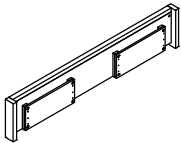
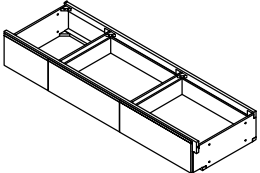
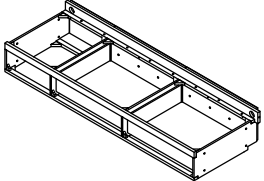
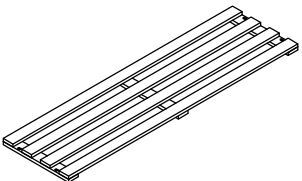
TIME

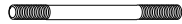
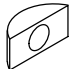








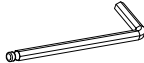


OF PEOPLE

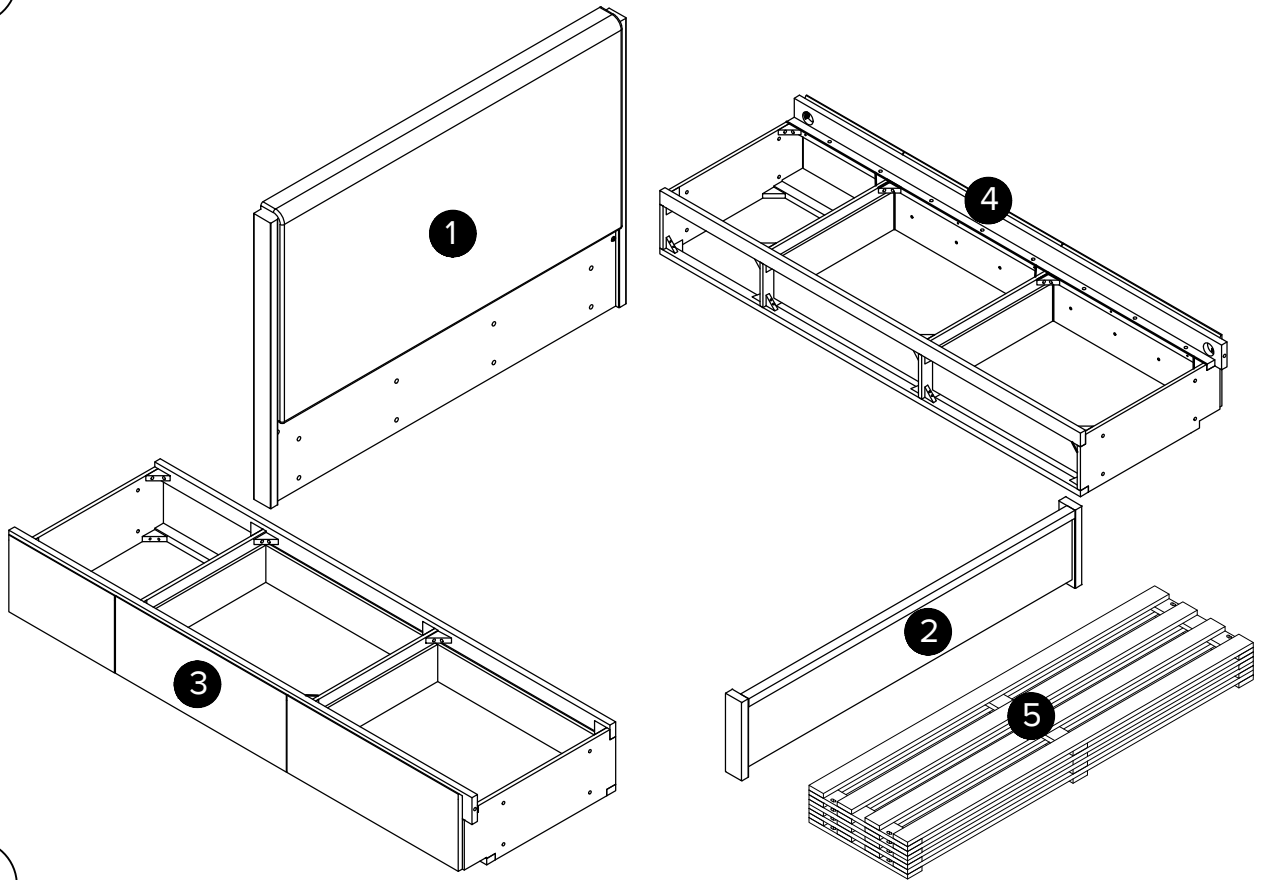


DIFFICULTY

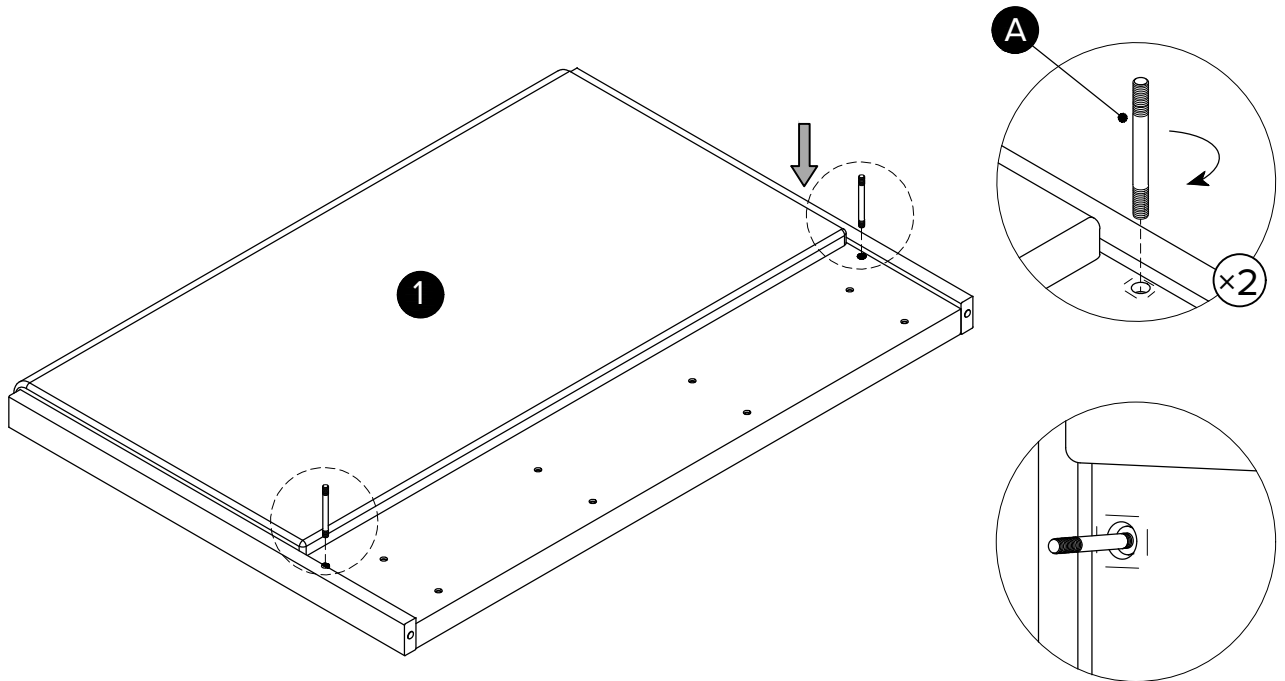
PARTS INVENTORY		
ID	DESCRIPTION	QTY
1	HEAD BOARD 	1
2	FOOT BOARD 	1
3	LEFT DRAWER FRAME 	1
4	RIGHT DRAWER FRAME 	1
5	SLAT FRAME 	4

HARDWARE LIST		
ID	DESCRIPTION	QTY
A	M8x80 DOUBLE END THREADED BOLT 	4
B	CRESCENT WASHER 	4
C	M8 HEX NUT 	4
D	M8X35 BOLT 	16
E	1.5XØ8.5XØ12 SPRING WASHER 	20
F	1.5XØ8.5XØ19 FLAT WASHER 	16
G	M6X40 BOLT 	16
H	1.5XØ6.5XØ10 SPRING WASHER 	16
I	1.5XØ6.5XØ16 FLAT WASHER 	16
J	HEX NUT WRENCH 	1
K	ALLEN KEY 	1

i



1



!

Tighten the bolt until the last thread on one end aligns with the front panel. Do not fully tighten it.

2

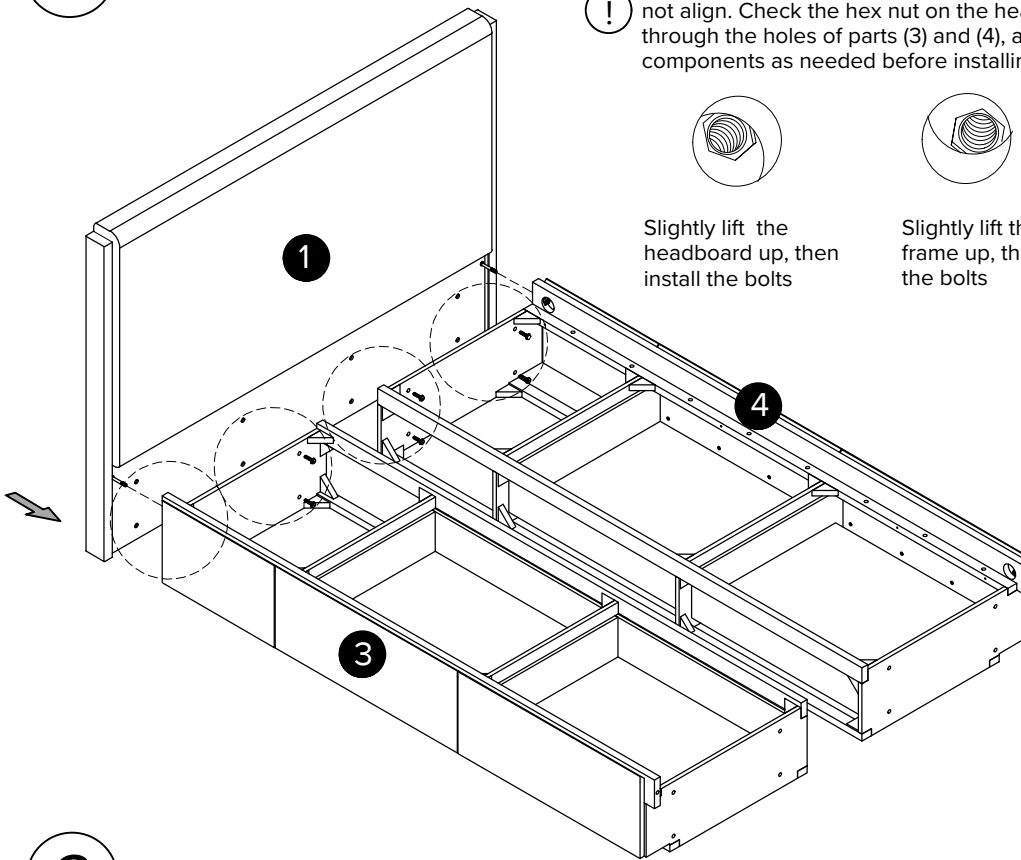
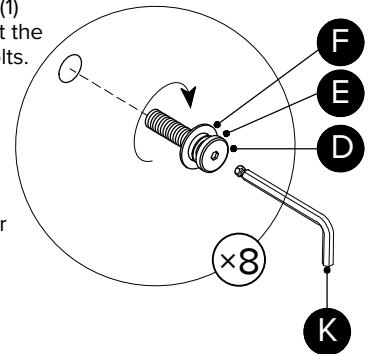
! **Assembly tip:** Due to uneven floors, the holes may not align. Check the hex nut on the headboard (1) through the holes of parts (3) and (4), and adjust the components as needed before installing the bolts.



Slightly lift the headboard up, then install the bolts

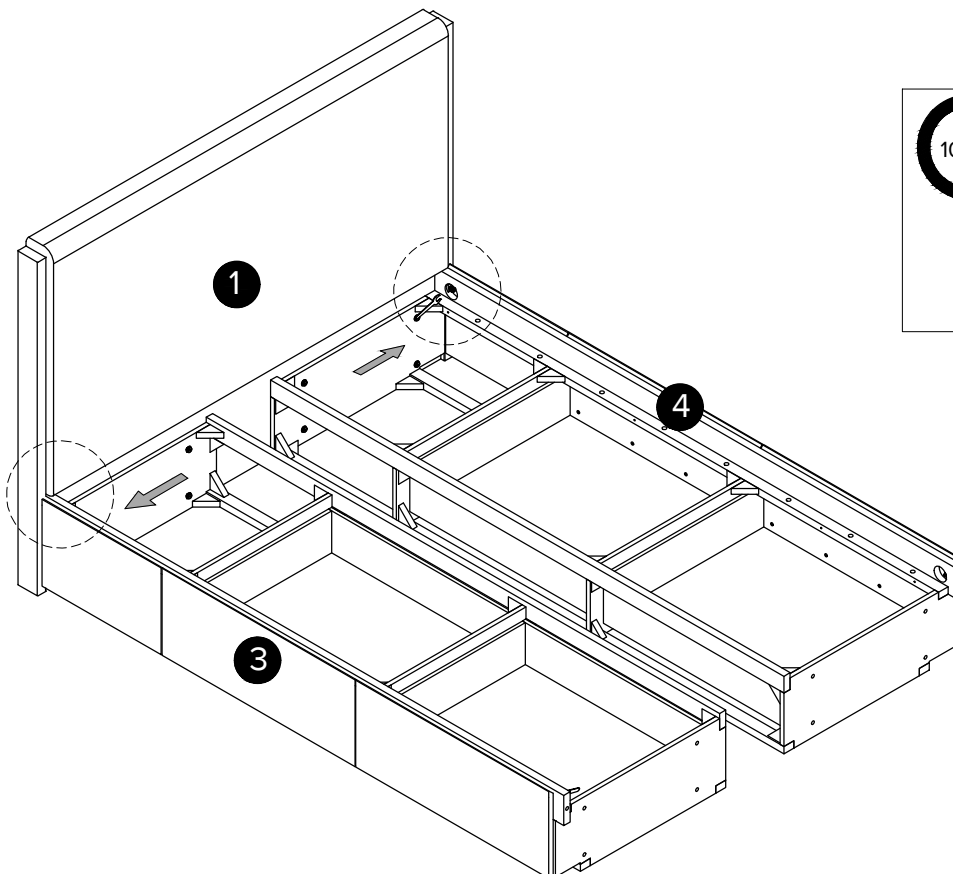
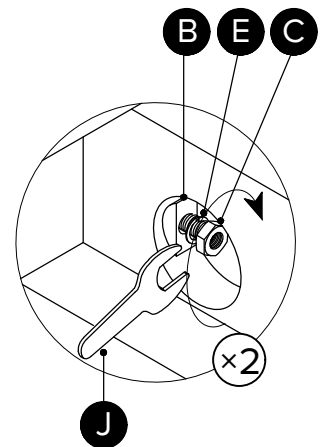
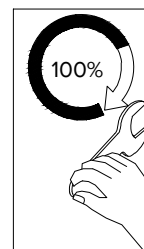


Slightly lift the drawer frame up, then install the bolts

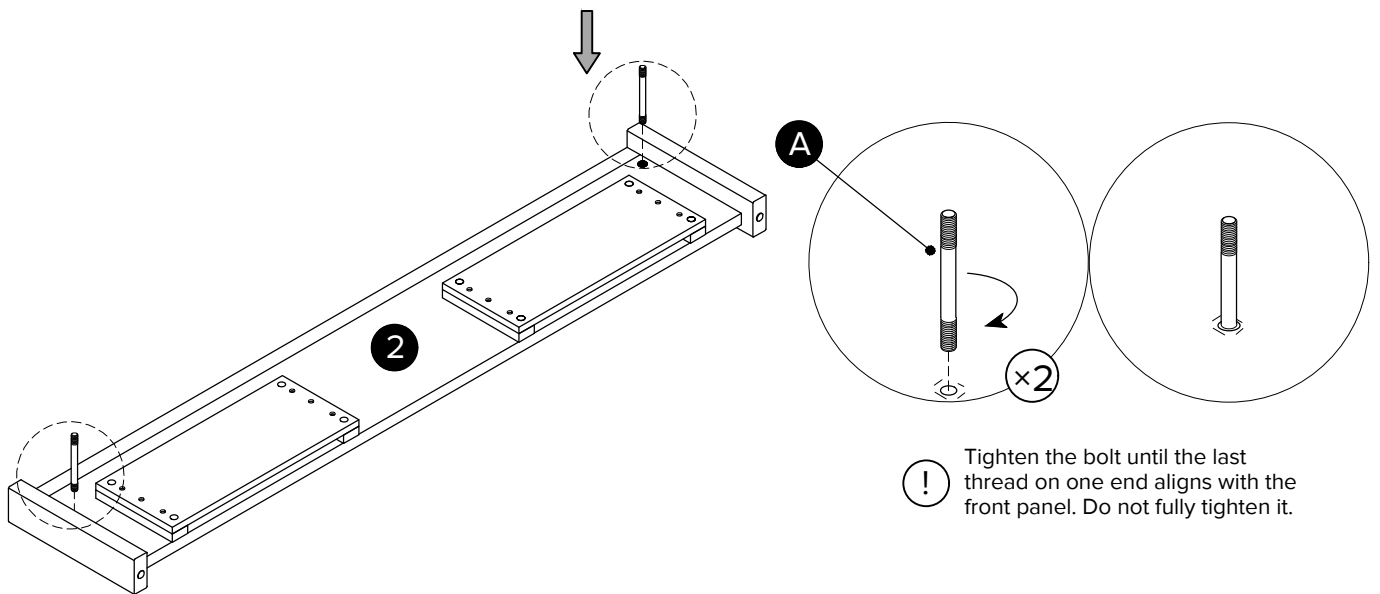


! Do not tighten the bolts until all bolts are in placed.

3

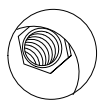


4

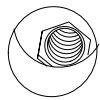


5

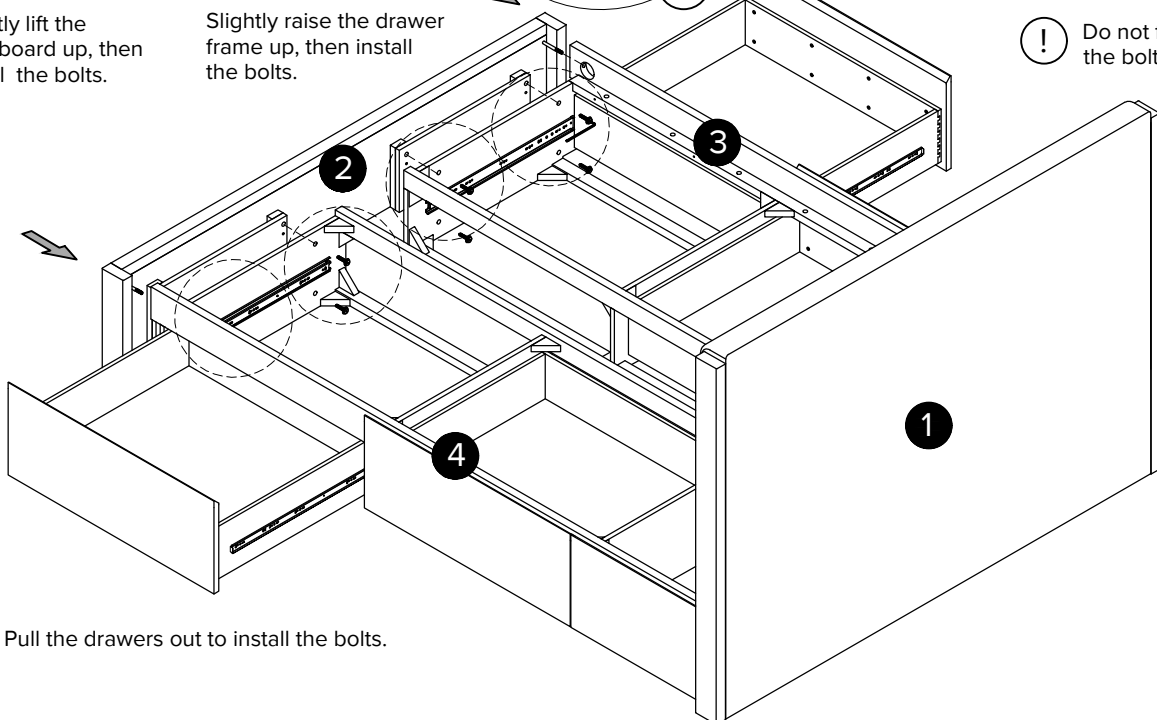
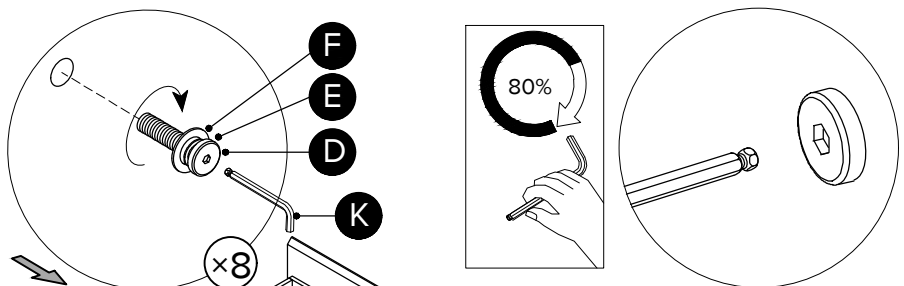
Assembly tip: Due to uneven floors, the holes may not align. Check the hex nut on the footboard (2) through the holes of parts (3) and (4), and adjust the components as needed before installing the bolts.



Slightly lift the headboard up, then install the bolts.

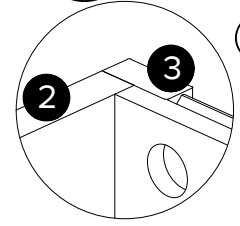


Slightly raise the drawer frame up, then install the bolts.

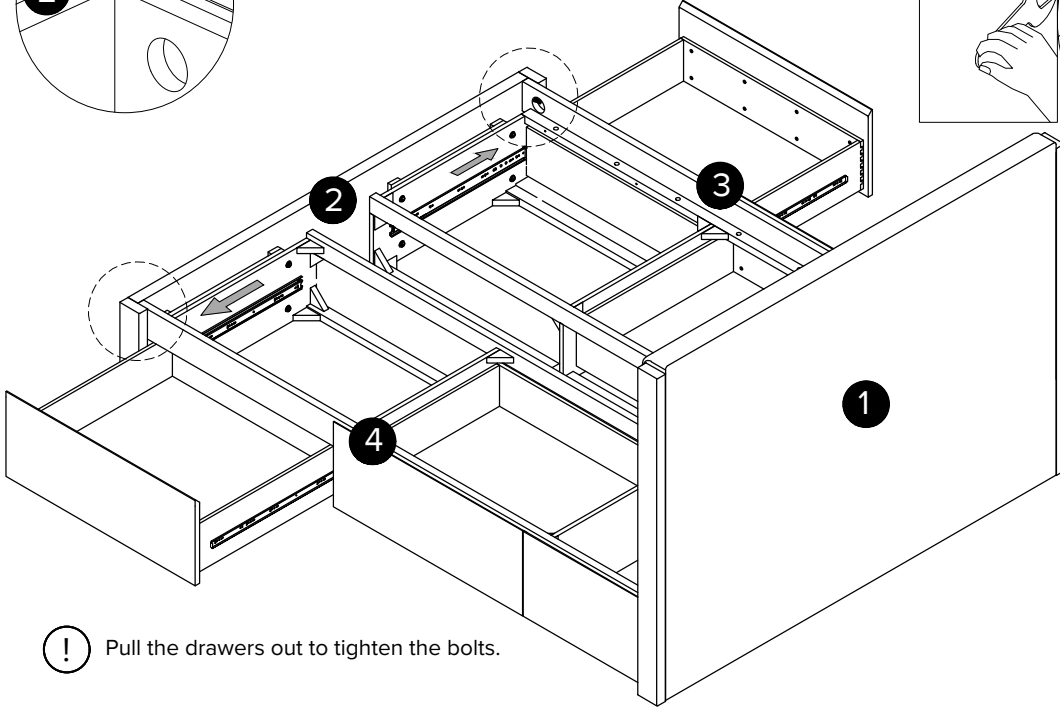
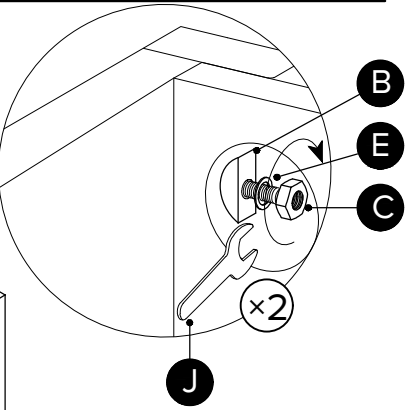
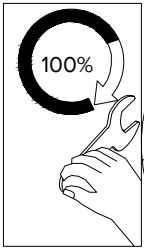


! Pull the drawers out to install the bolts.

6

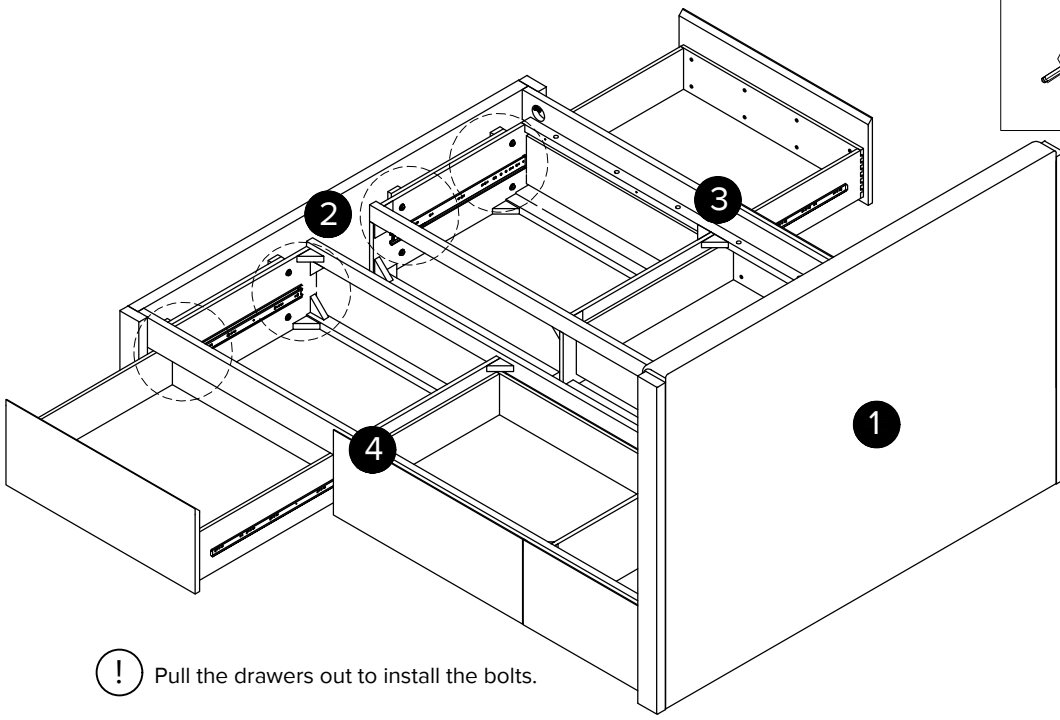
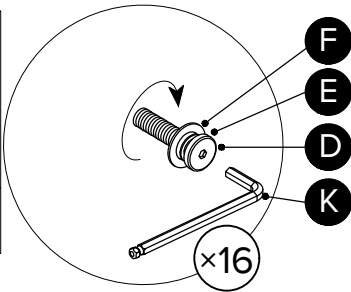
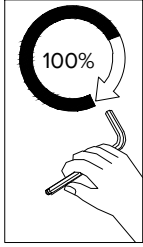


! Align the side rails flush or lower than the top legs before tighten the hex nuts.



! Pull the drawers out to tighten the bolts.

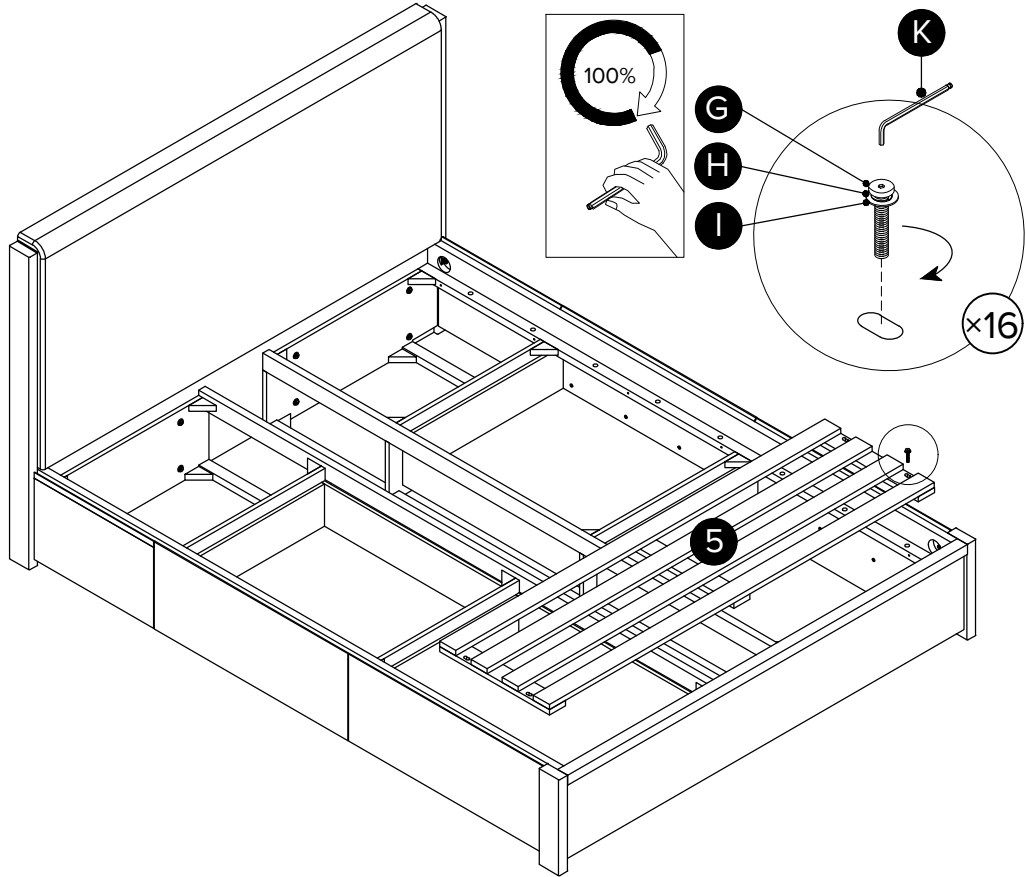
7



! Tighten 8 bolts for headboard and 8 bolts for footboard.

! Pull the drawers out to install the bolts.

8



9

