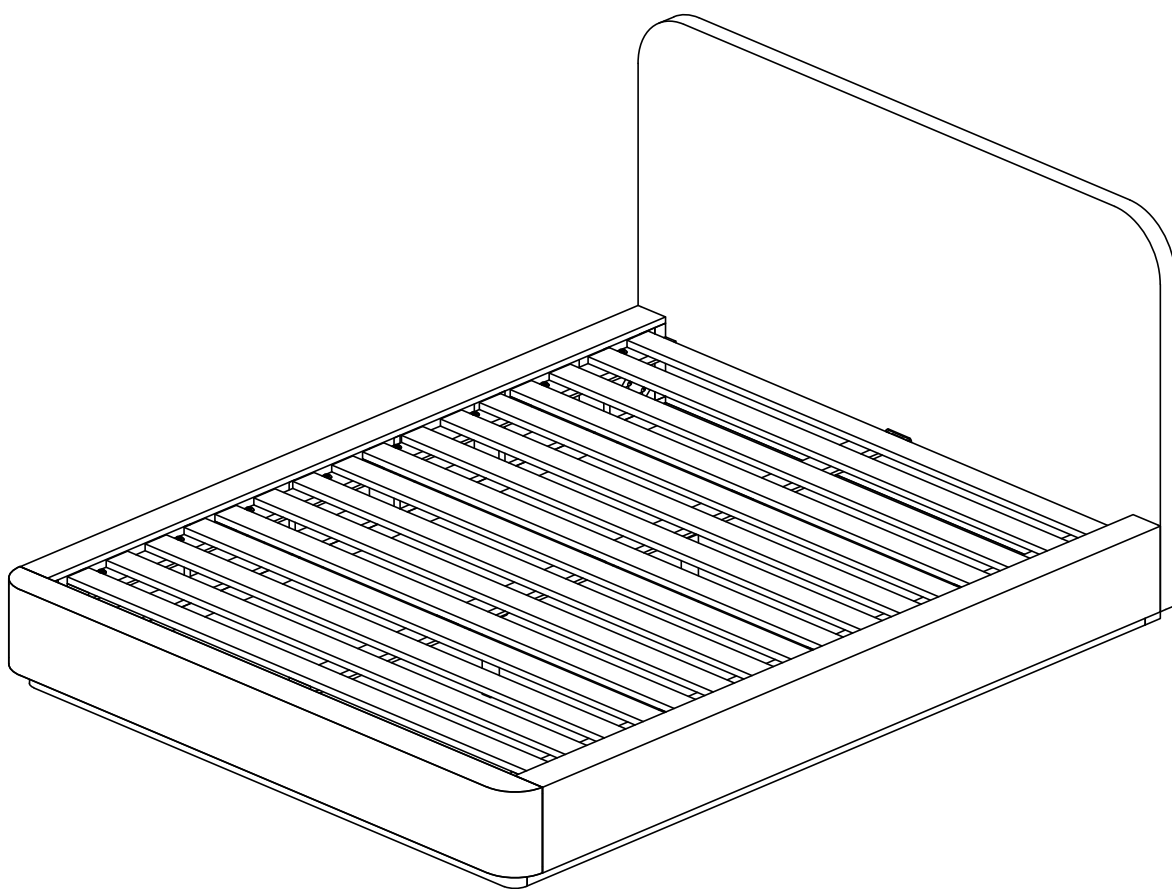


ARTICLE.

VERSION 1.0

Assembly Instructions



MAREN

Bed

ASSEMBLY INSTRUCTIONS

Read these instructions carefully and keep for future reference. Refer to parts inventory for guidance, and ensure you have all pieces before starting.

When assembling, place all parts on a soft, clean, and flat surface such as a carpet to prevent scratches.

If you're having difficulty, our friendly Customer Care team is always here to help. Call us at **1.888.746.3455** during business hours, email service@article.com or chat live at article.com.





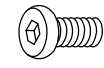
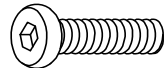


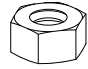
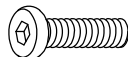


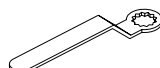
TIME

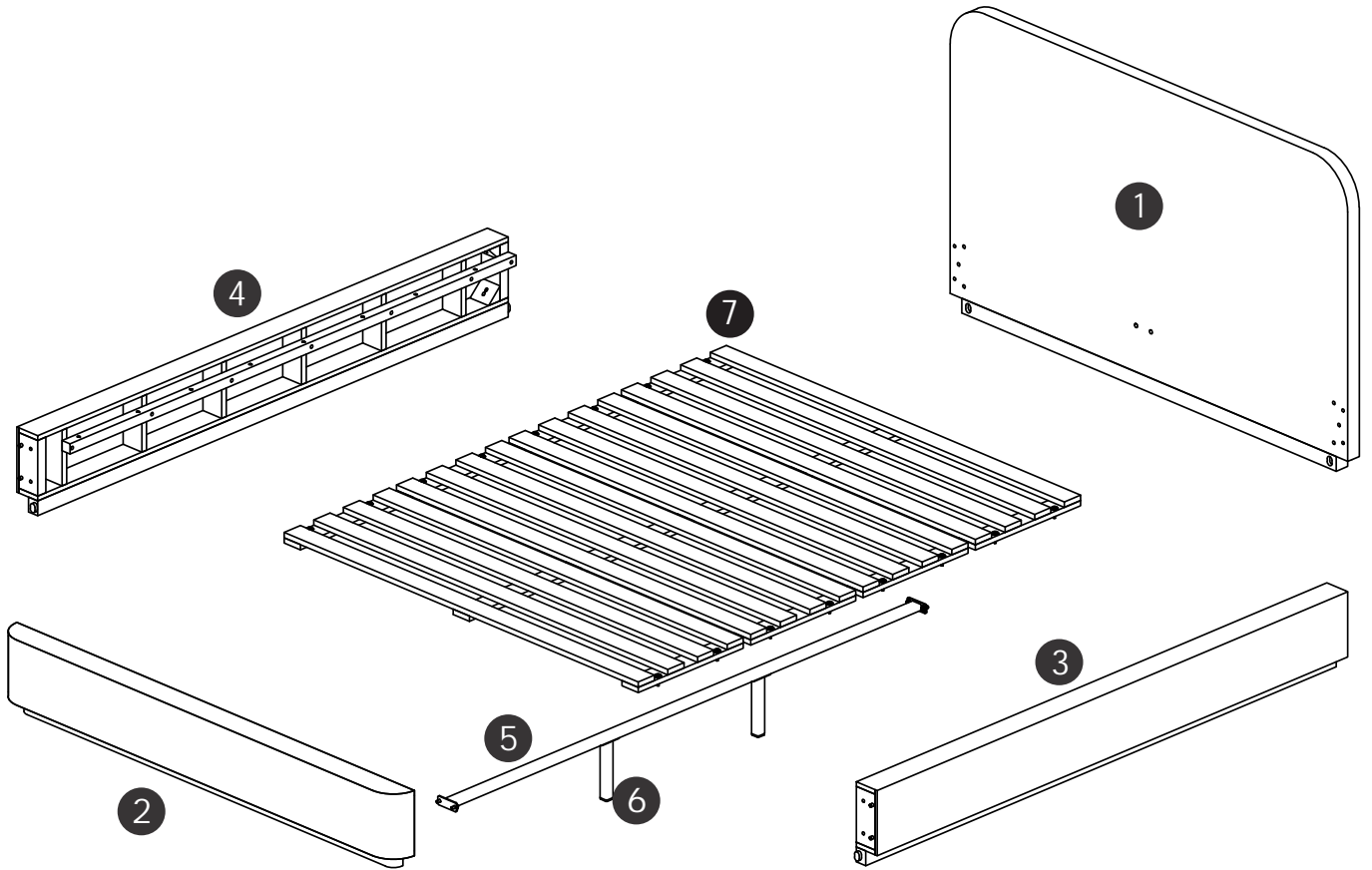
OF PEOPLE

DIFFICULTY

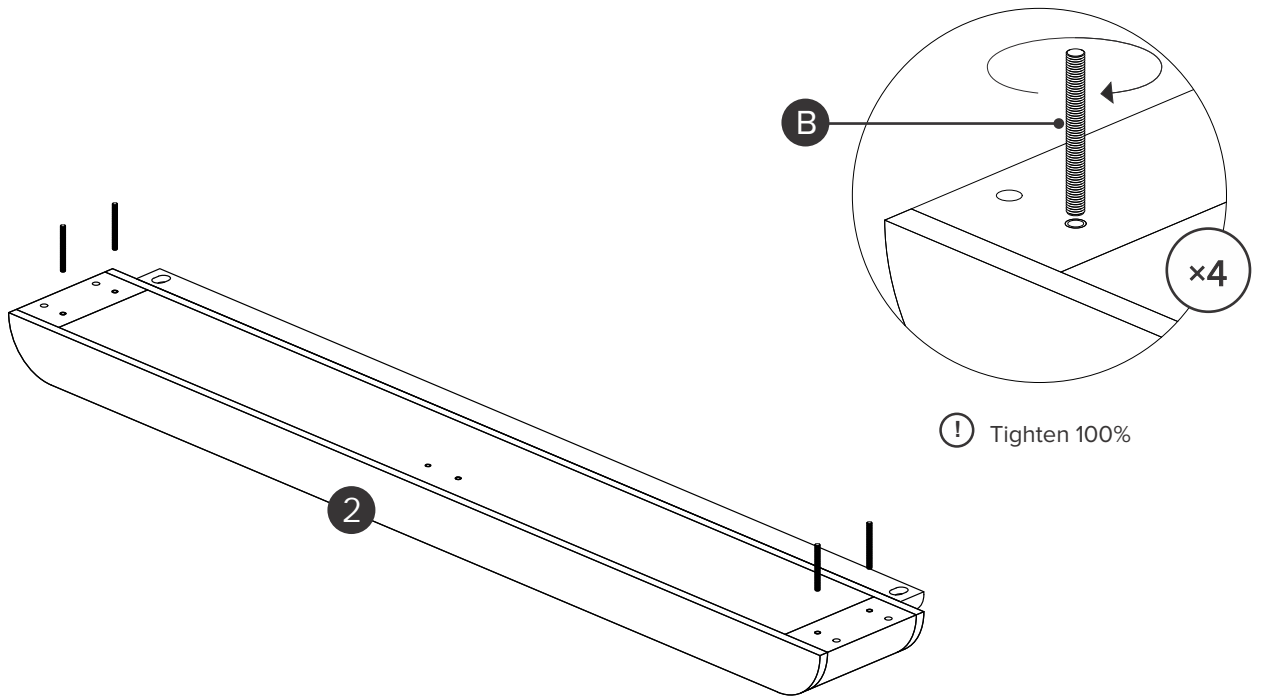


PARTS INVENTORY		
ID	DESCRIPTION	QTY
1	HEADBOARD	1
2	FOOTBOARD	1
3	RIGHT SIDE RAIL	1
4	LEFT SIDE RAIL	1
5	CENTER FRAME	1
6	CENTER LEG	2
7	SLAT FRAME	4

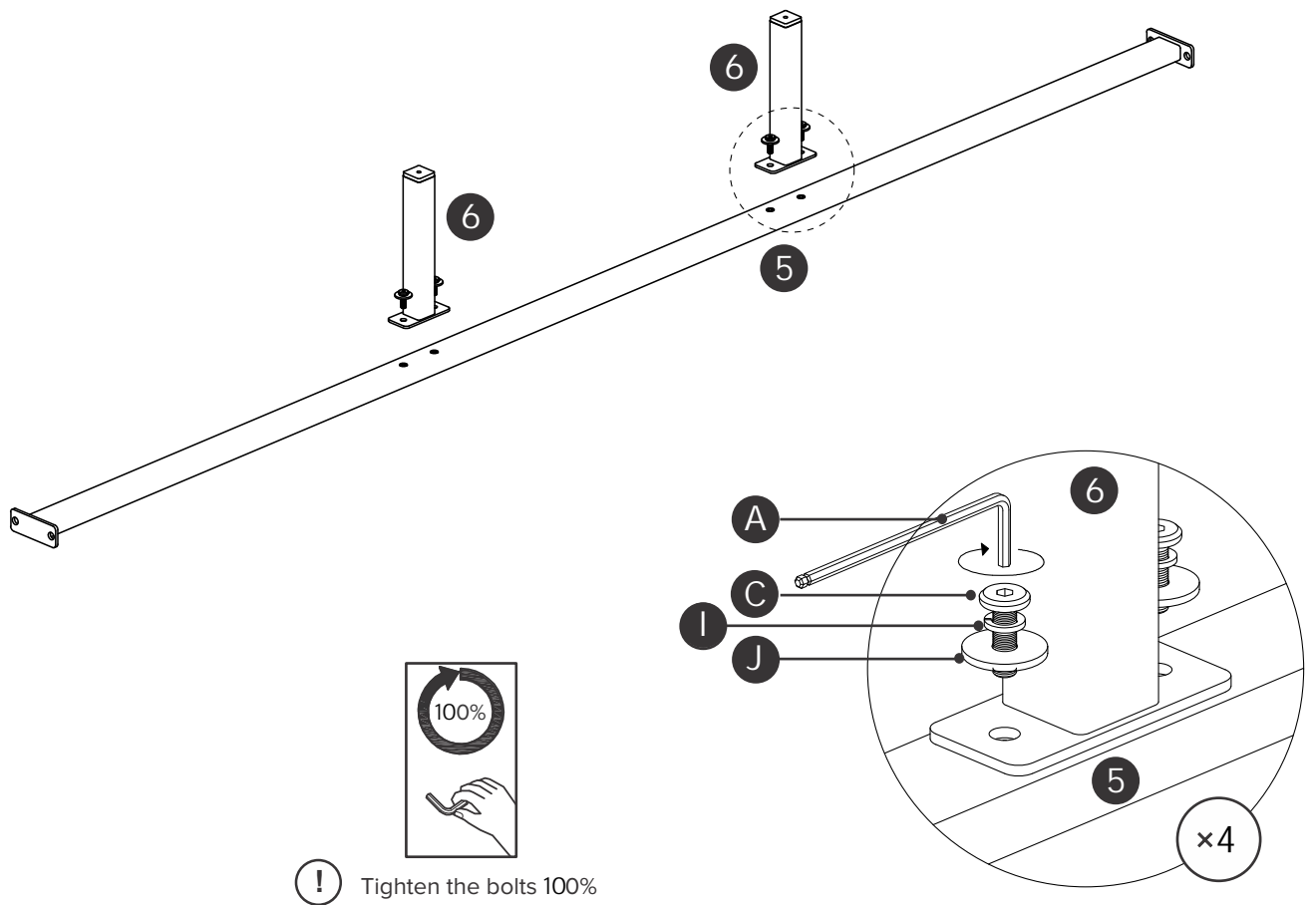
PARTS INVENTORY CONT.		
ID	DESCRIPTION	QTY
A	ALLEN KEY 	2
B	M8 × 80MM BOLT 	4
C	M6 × 20MM BOLT 	8
D	M8 × 55MM BOLT 	6
E	M8 SPRING WASHER 	10
F	M8 FLAT WASHER 	10
G	M8 × 8MM NUT 	4
H	M6 × 35MM BOLT 	16
I	M6 WASHER 	24
J	M6 FLAT WASHER 	24
K	WRENCH 	1



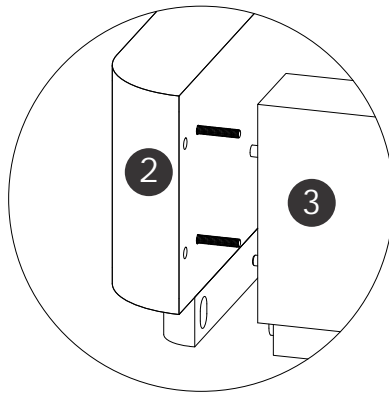
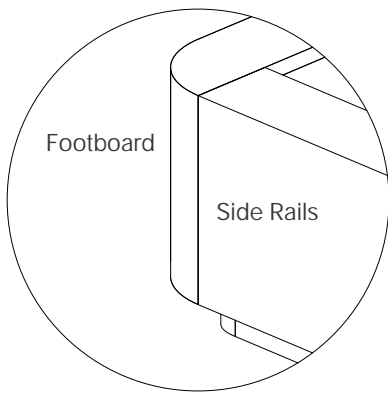
1



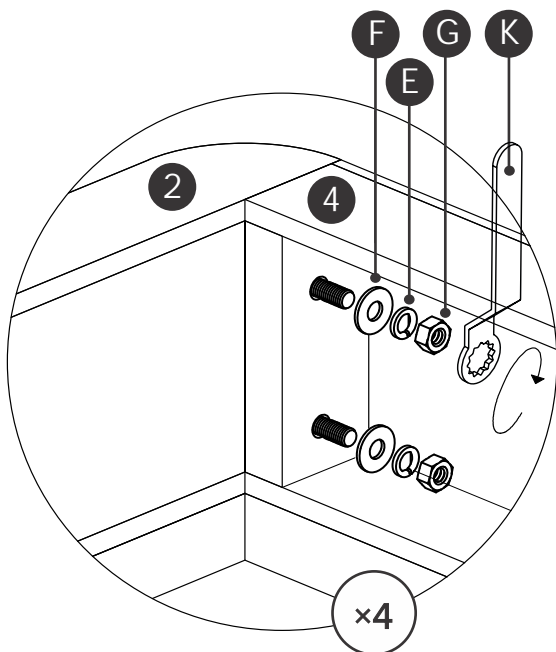
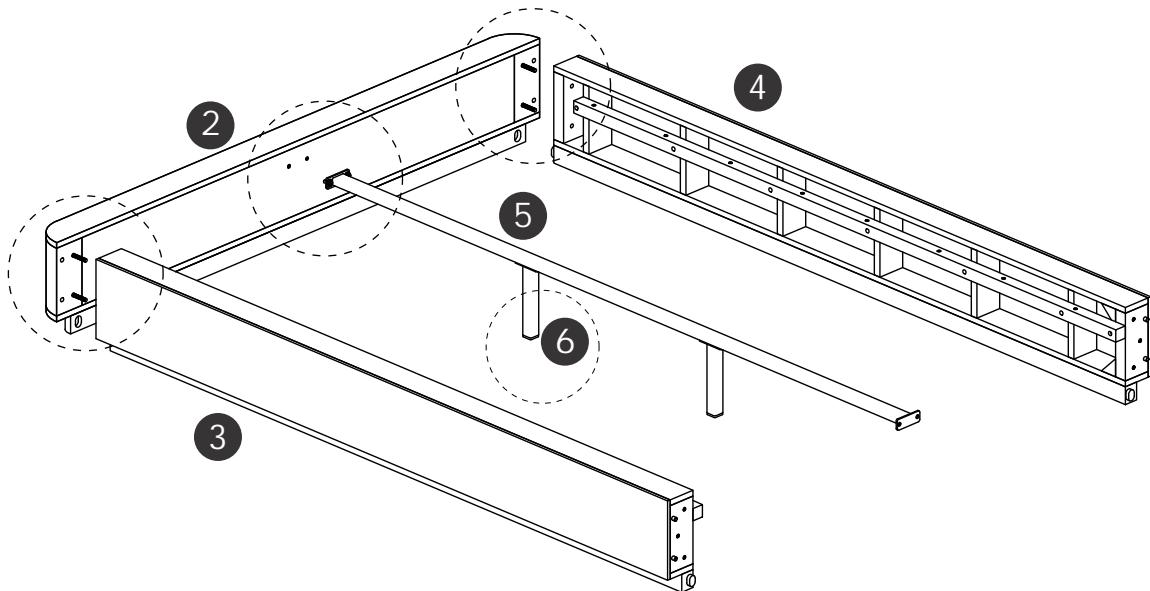
2



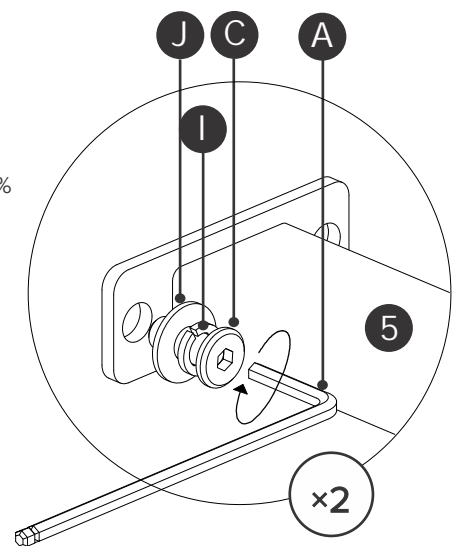
3



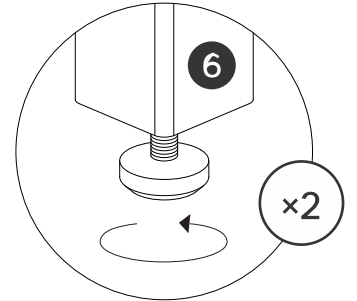
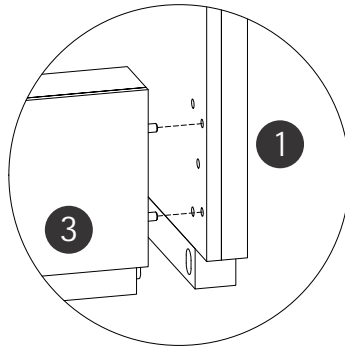
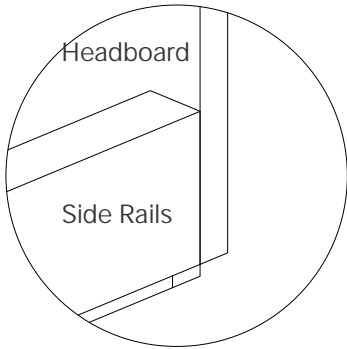
! Align the Side Rails recessed from the top of FB and side of FB before tighten the bolts.



! Tighten all the bolts 100%

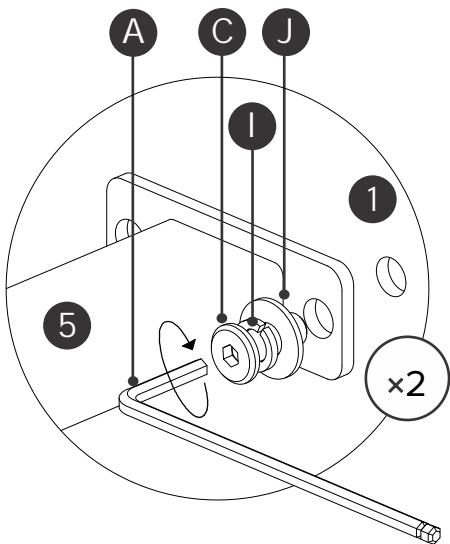
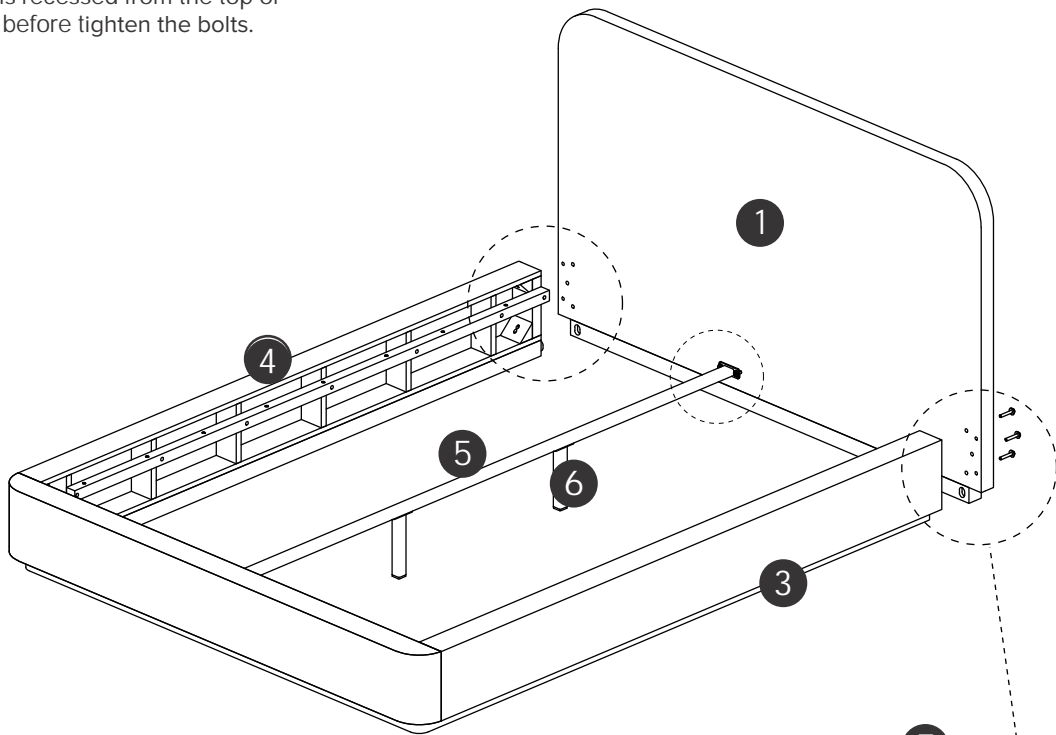


4

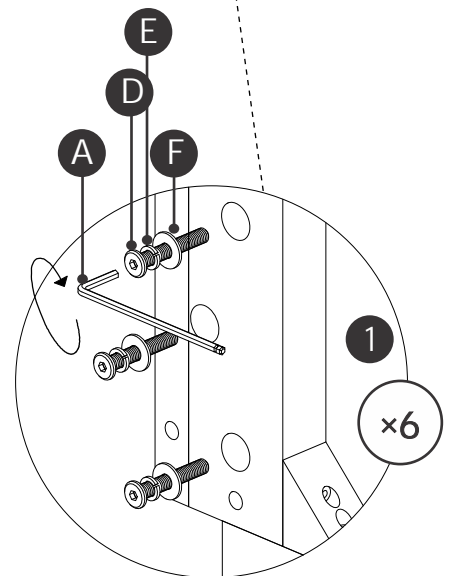


! Align the Side Rails recessed from the top of FB and side of FB before tighten the bolts.

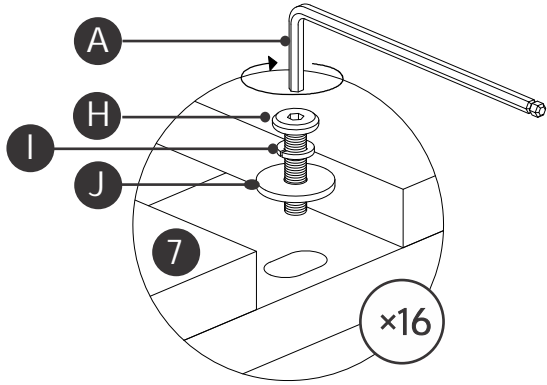
! Adjust levelers on legs as needed.



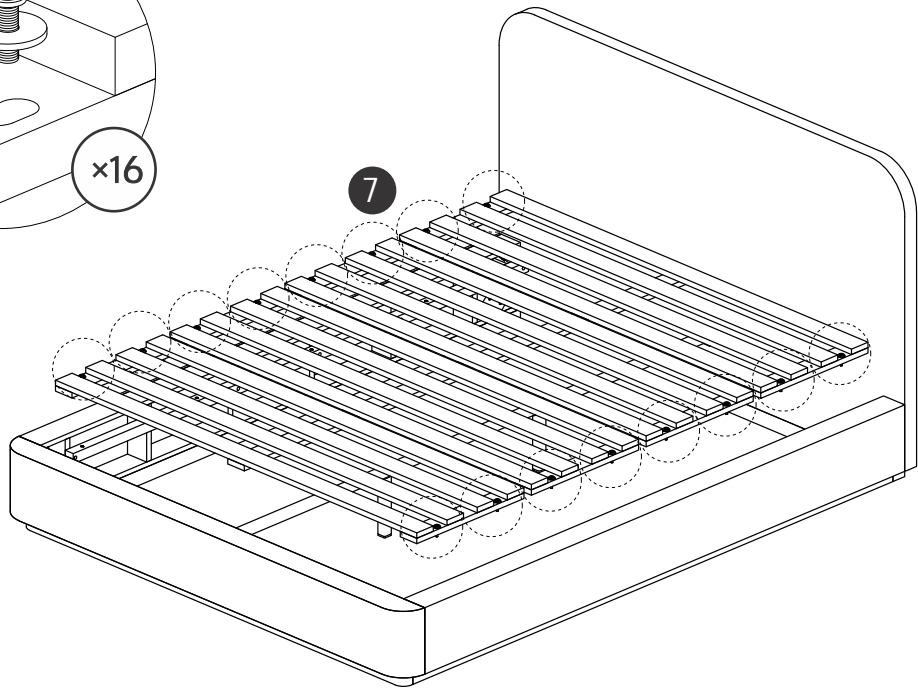
! Tighten all the bolts 100%



5



! Tighten the bolts 100%



6

