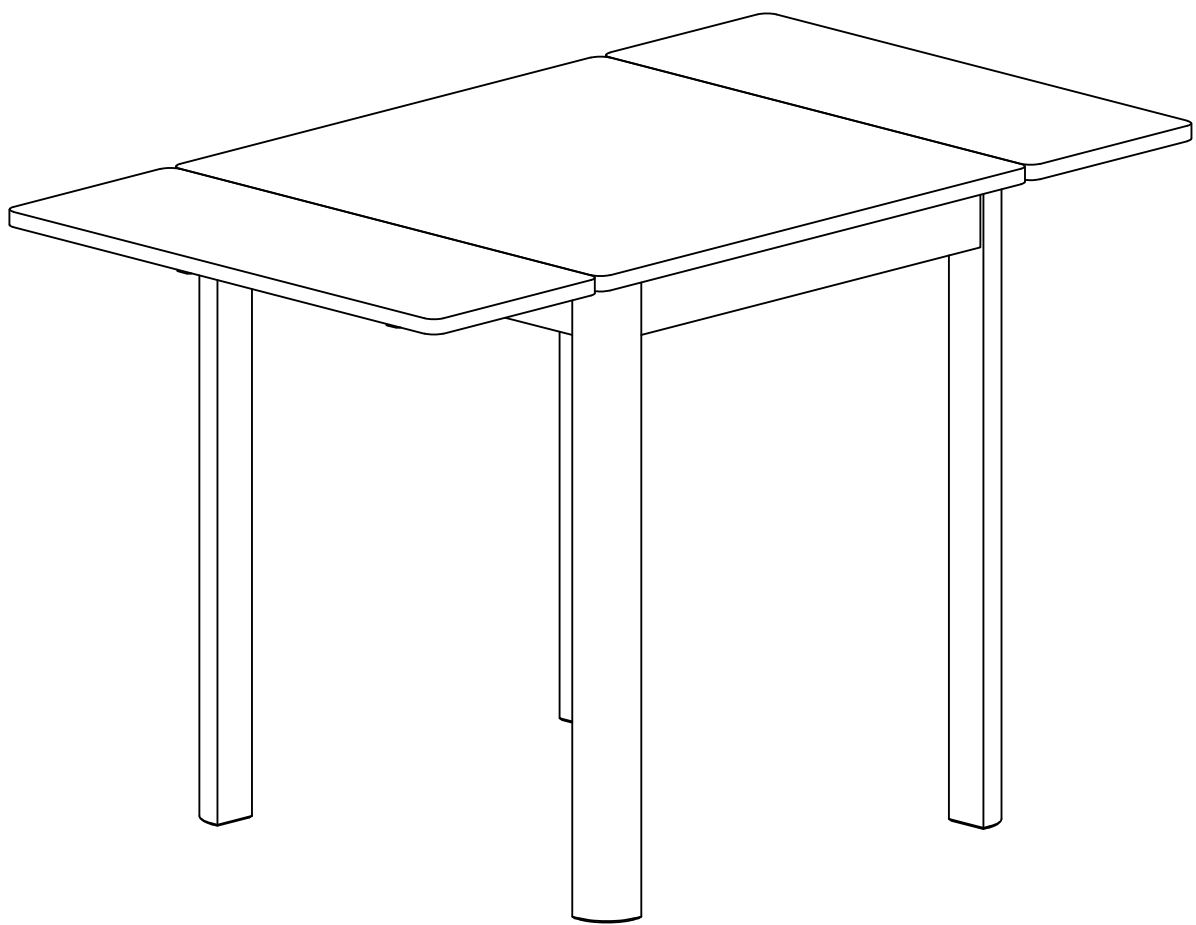


ARTICLE.

VERSION 1.0

Assembly Instructions



HOLME

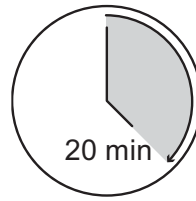
27" - 48" Drop Leaf Dining Table

ASSEMBLY INSTRUCTIONS

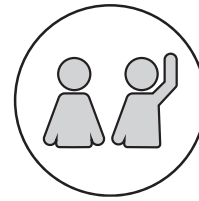
Read these instructions carefully and keep for future reference. Refer to parts inventory for guidance, and ensure you have all pieces before starting.

When assembling, place all parts on a soft, clean, and flat surface such as a carpet to prevent scratches.

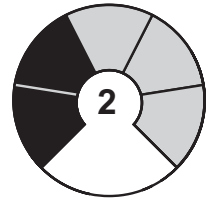
If you're having difficulty, our friendly Customer Care team is always here to help. Call us at **1.888.746.3455** during business hours, email service@article.com or chat live at [article.com](https://www.article.com)



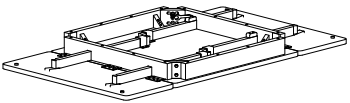
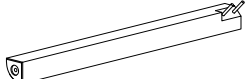
TIME

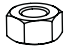





OF PEOPLE

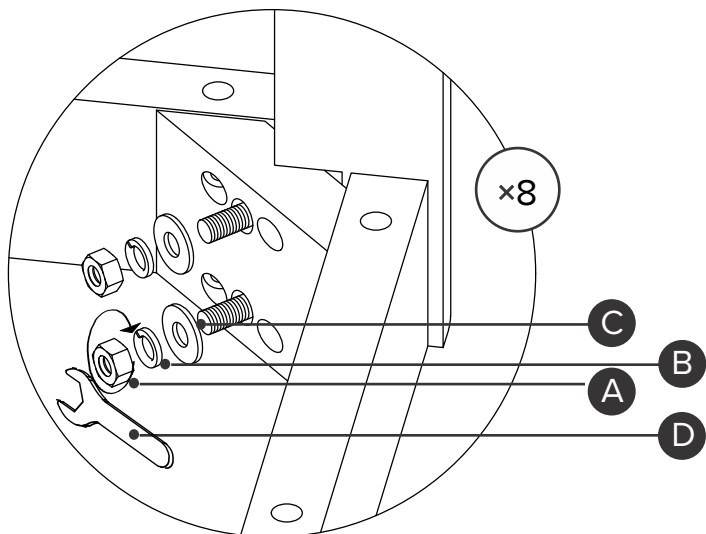


DIFFICULTY

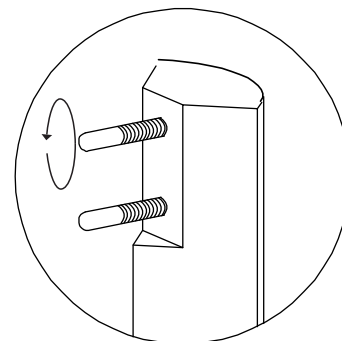
PARTS INVENTORY		
ID	DESCRIPTION	QTY
1	TABLE TOP 	1
2	LEGS 	4

HARDWARE LIST			
ID	DESCRIPTION		QTY
A	NUT M8		8
B	LOCK WASHER		8
C	WASHER		8
D	WRENCH		1

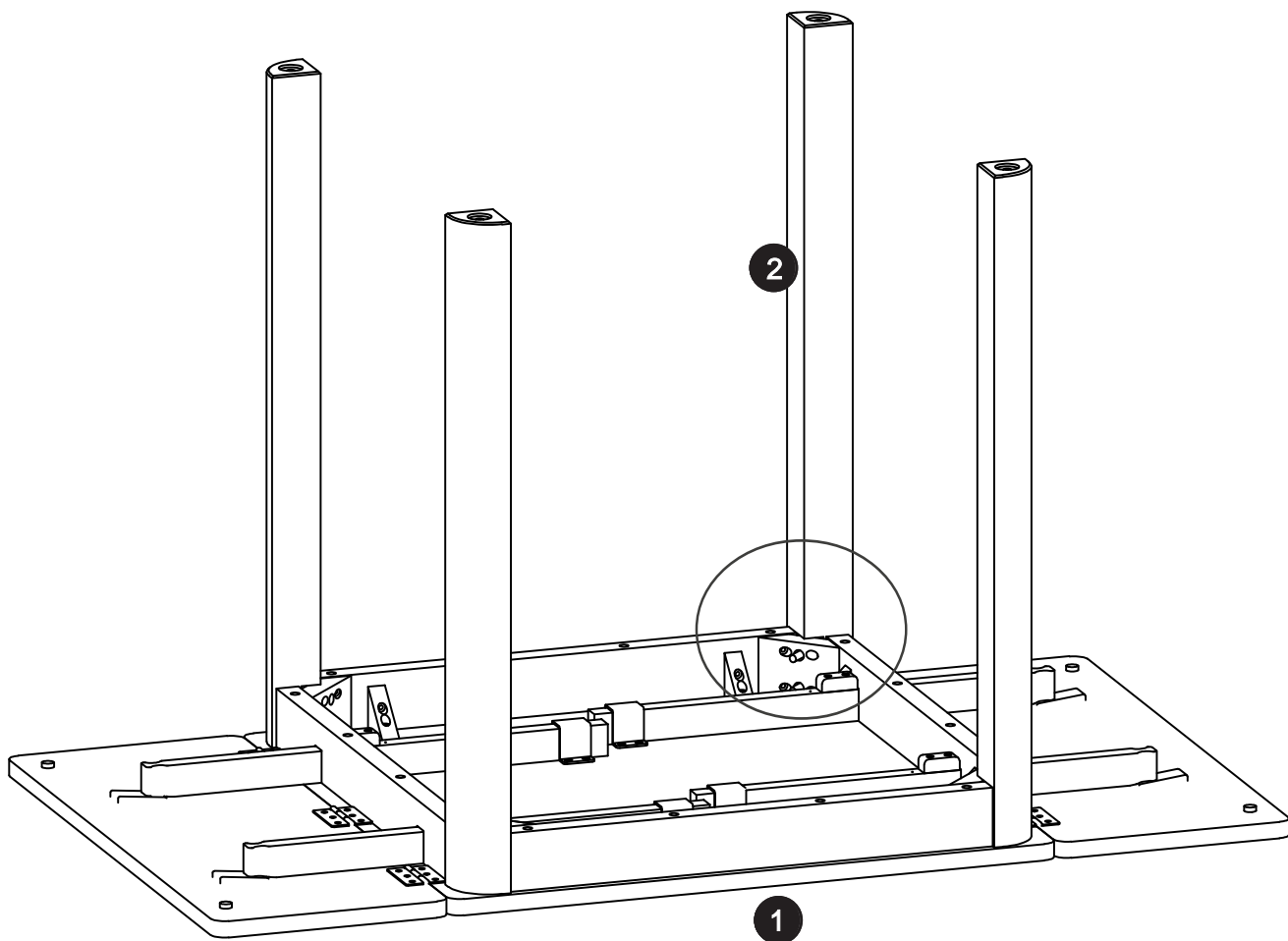
1



! Remove the protection on the leg bolt before assembling.

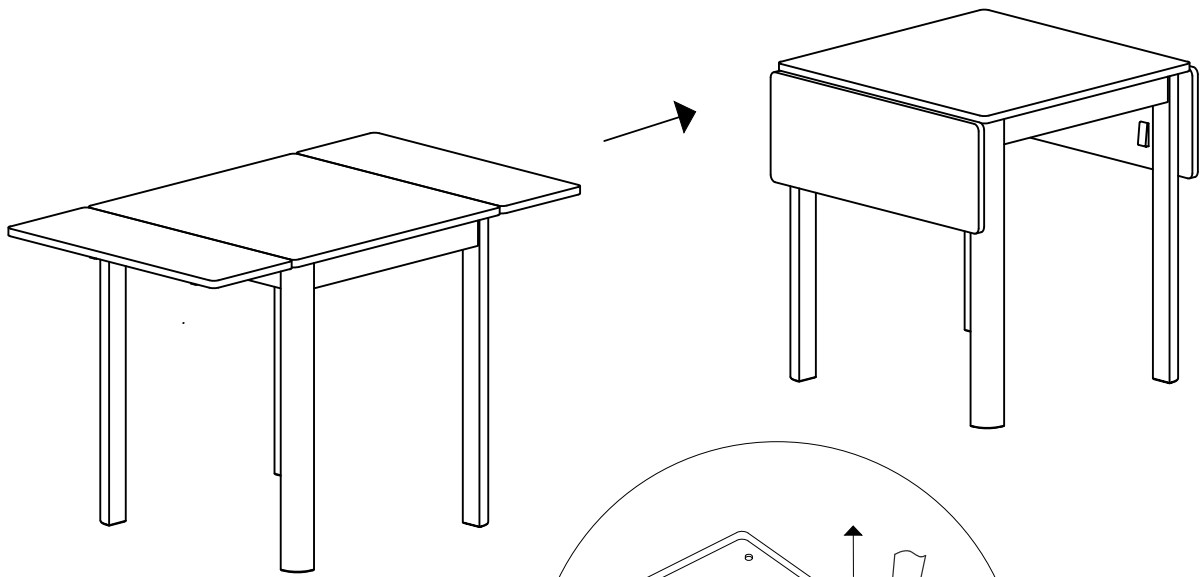


! Fully tighten the four nuts closest to the top first, then tighten the remaining one.



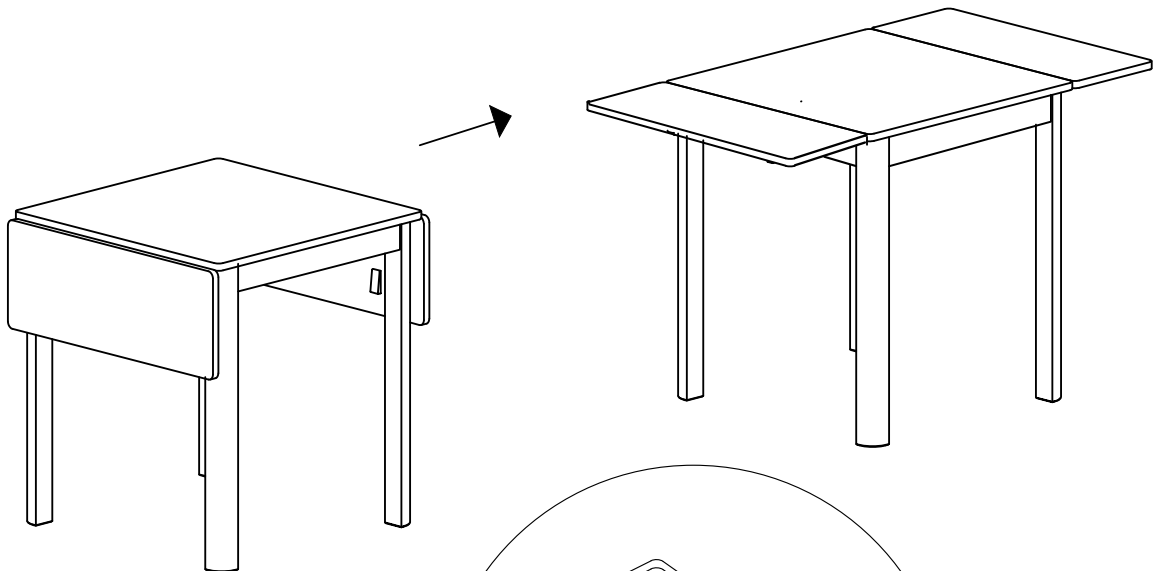
! Please ensure to put components on a flat and soft surface such as a cardboard or a rug to prevent scratches or damage.

2



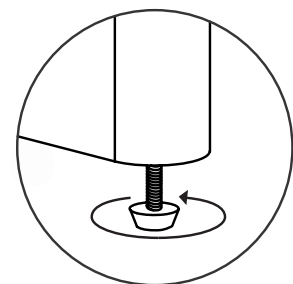
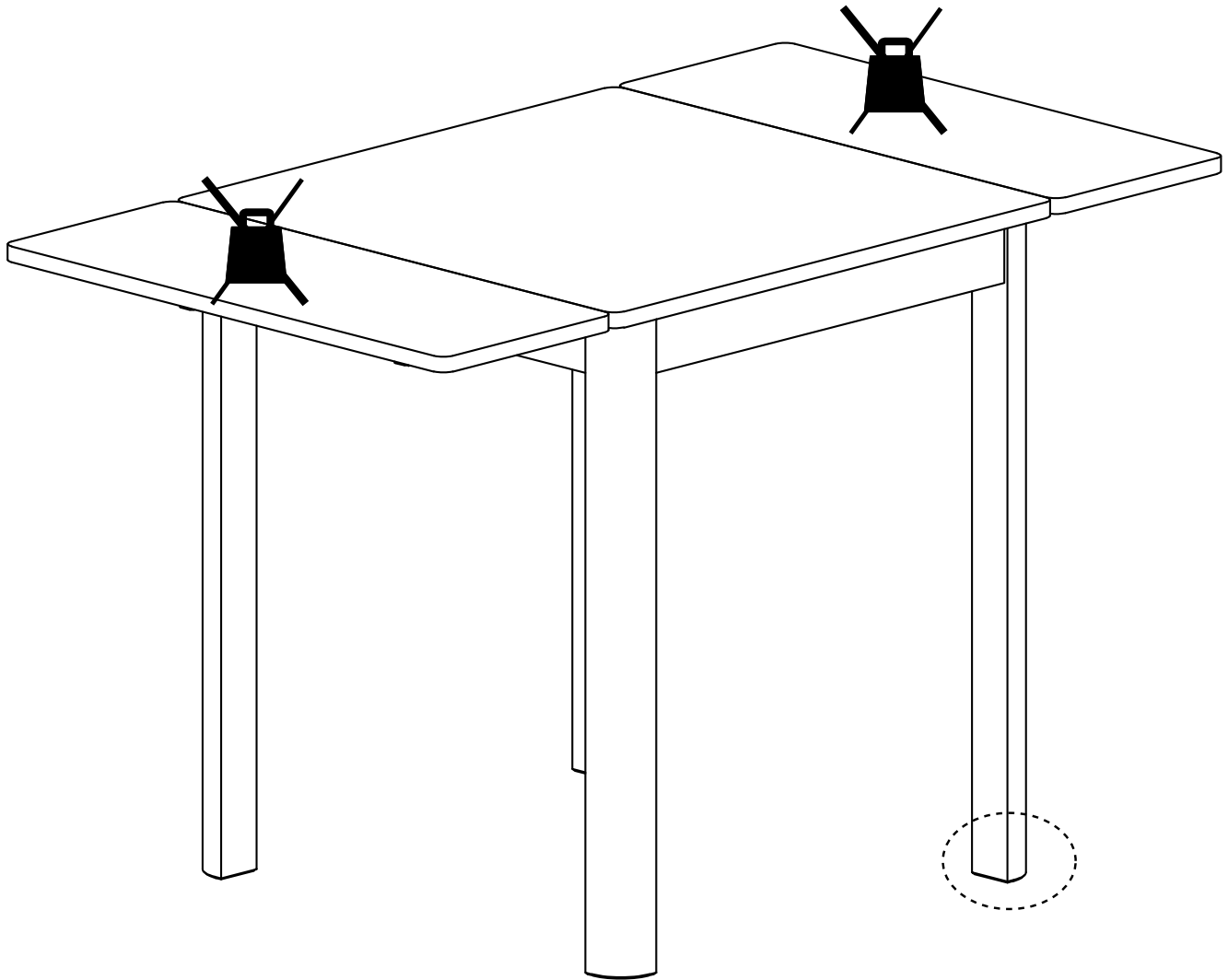
! Lift the top up, then push the wooden bar in to close the extendable tops

3



! Lift the top up, then pull the two wooden bar out to extend the tops. Do not use the expandable top with 1 sliding bar.

Attention: Do not place more than 11 lbs of weight on the extendable top.



⚠ Adjust levelers on legs as needed.

IMPORTANT !

It is important that all bolts are re-tightened 2 weeks after assembly and once every 2 months in order to assure stability through-out the lifespan of this product.