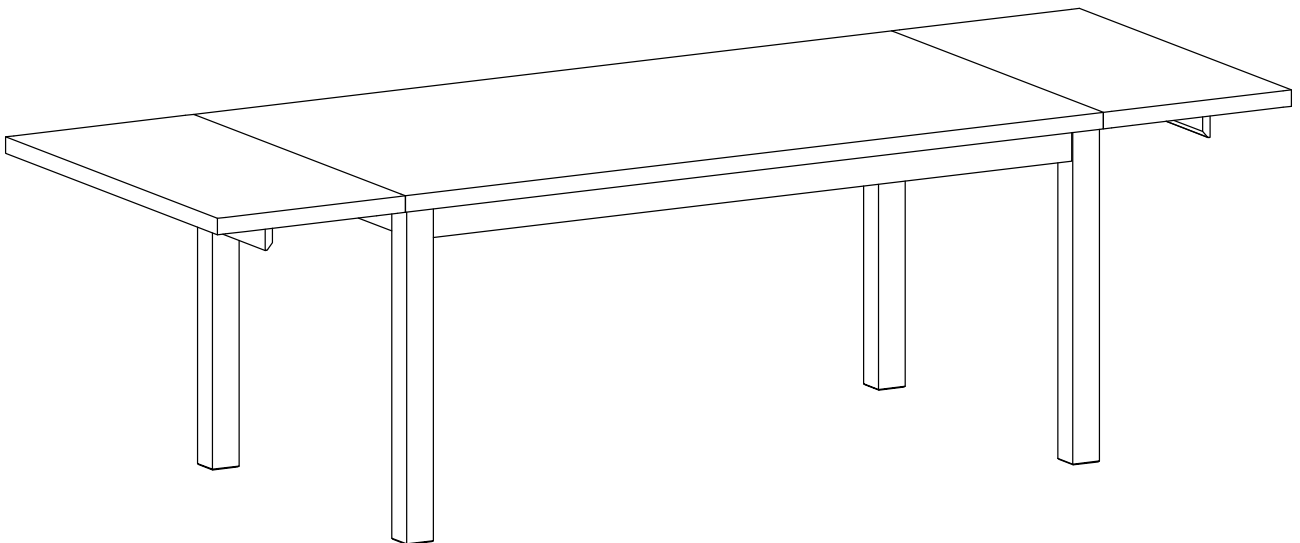


ARTICLE.

VERSION 1.0

Assembly Instructions



ASHFORD

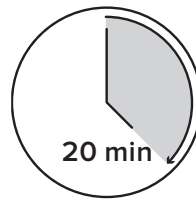
66" - 102" Solid Wood Extendable Dining Table

ASSEMBLY INSTRUCTIONS

Read these instructions carefully and keep for future reference. Refer to parts inventory for guidance, and ensure you have all pieces before starting.

When assembling, place all parts on a soft, clean, and flat surface such as a carpet to prevent scratches.

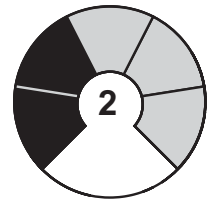
If you're having difficulty, our friendly Customer Care team is always here to help. Call us at 1.888.746.3455 during business hours, email service@article.com or chat live at article.com



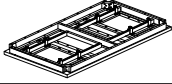
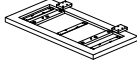






TIME

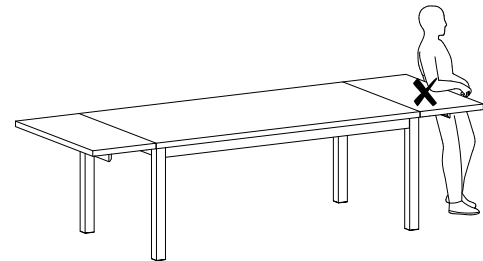
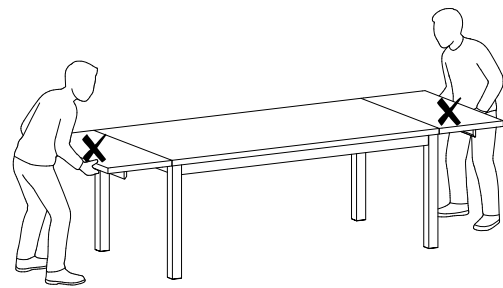


OF PEOPLE



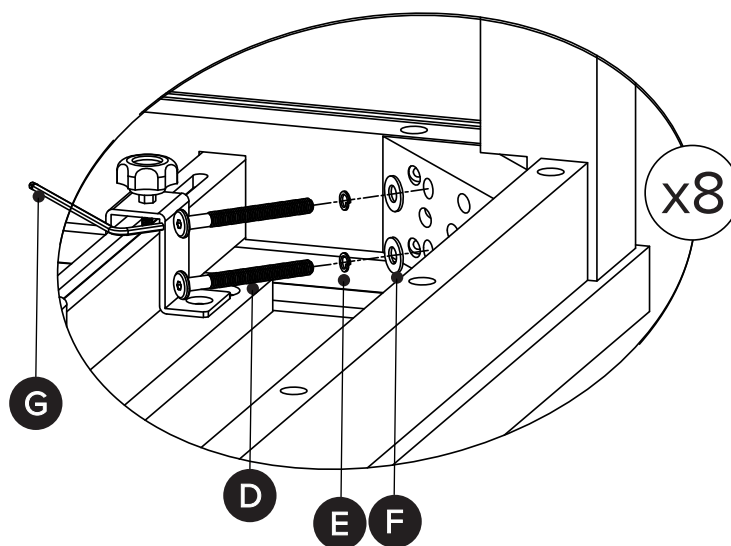
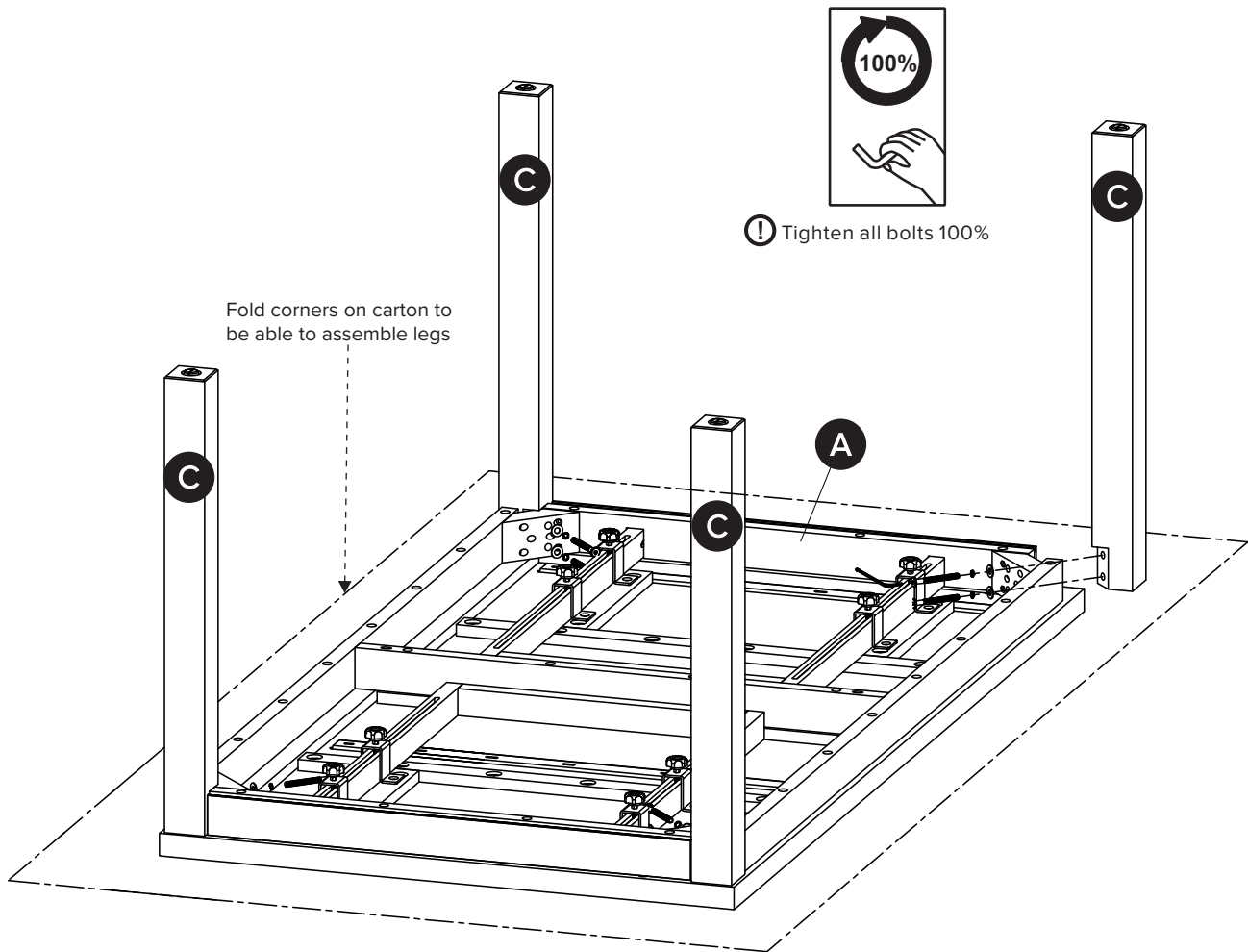
DIFFICULTY

PARTS INVENTORY		
ID	DESCRIPTION	QTY
A	TABLE TOP 	1
B	TABLE LEAF 	2
C	LEGS 	4
D	M8 × 75 MM BOLT 	8
E	M8 LOCK WASHER 	8
F	M8 FLAT WASHER 	8
G	ALLEN KEY 	1
H	TABLE TOP LEVELER 	4



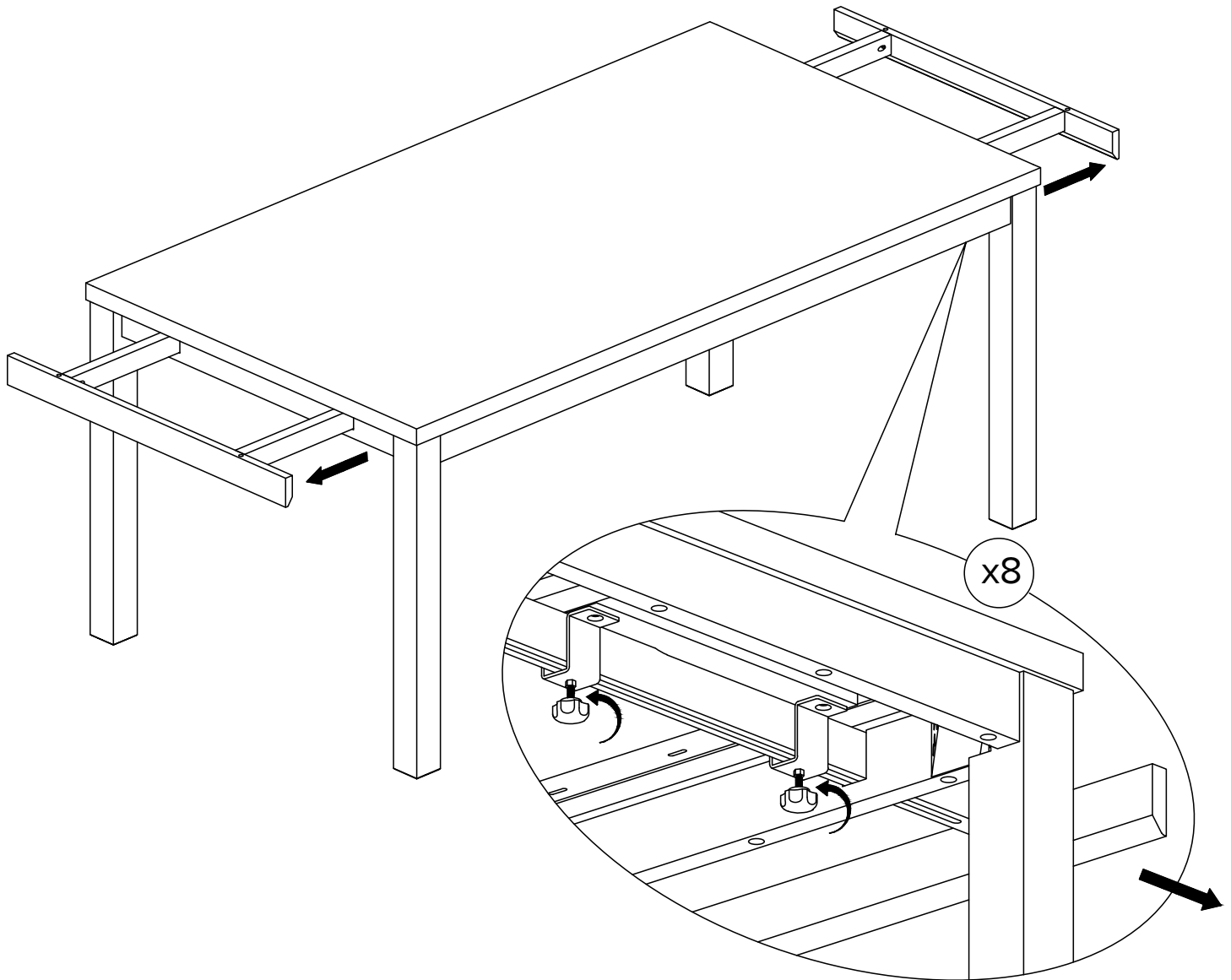
1

ⓘ Ensure the furniture is set on a clean, soft surface to prevent any damage.

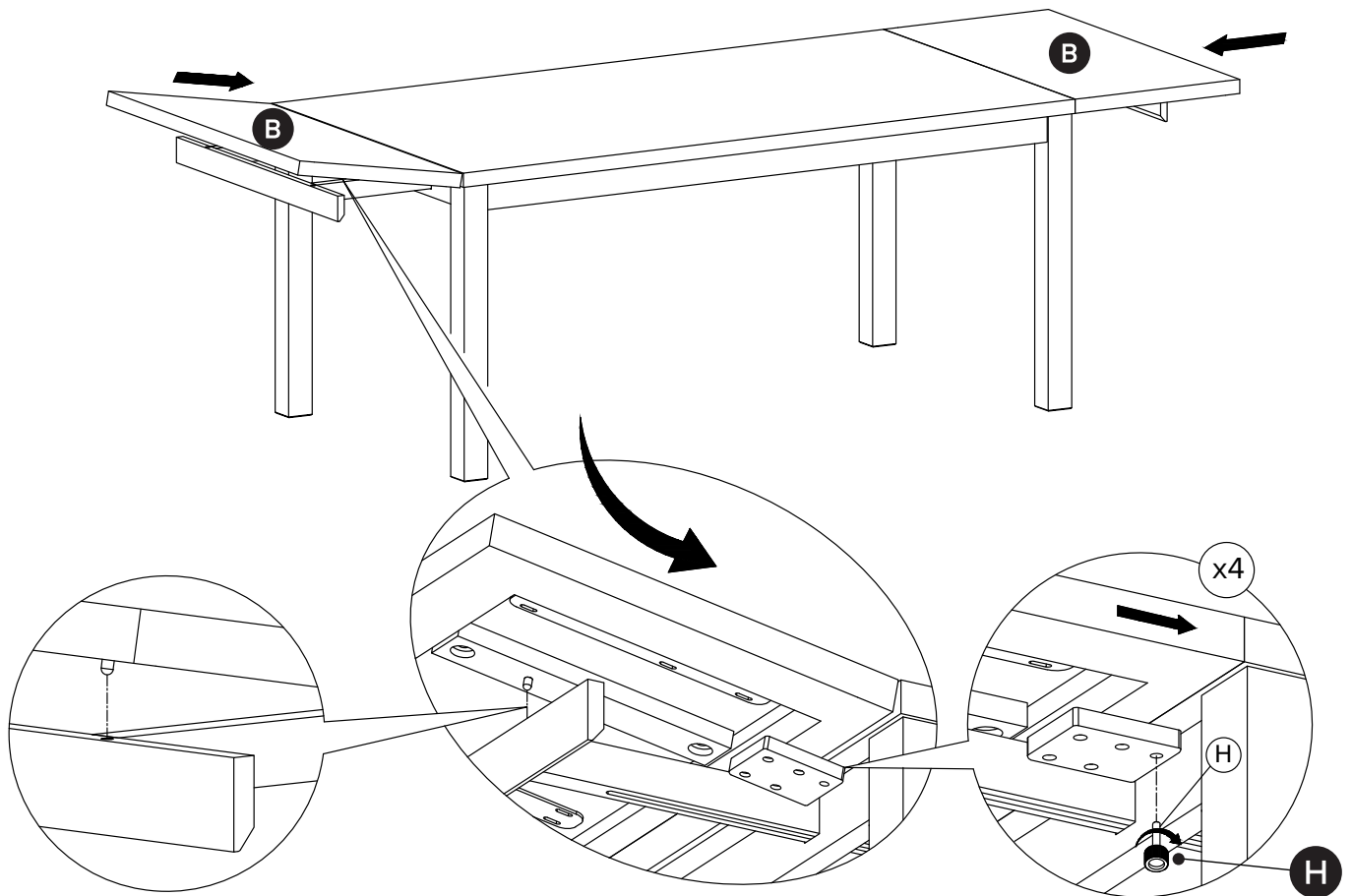


2

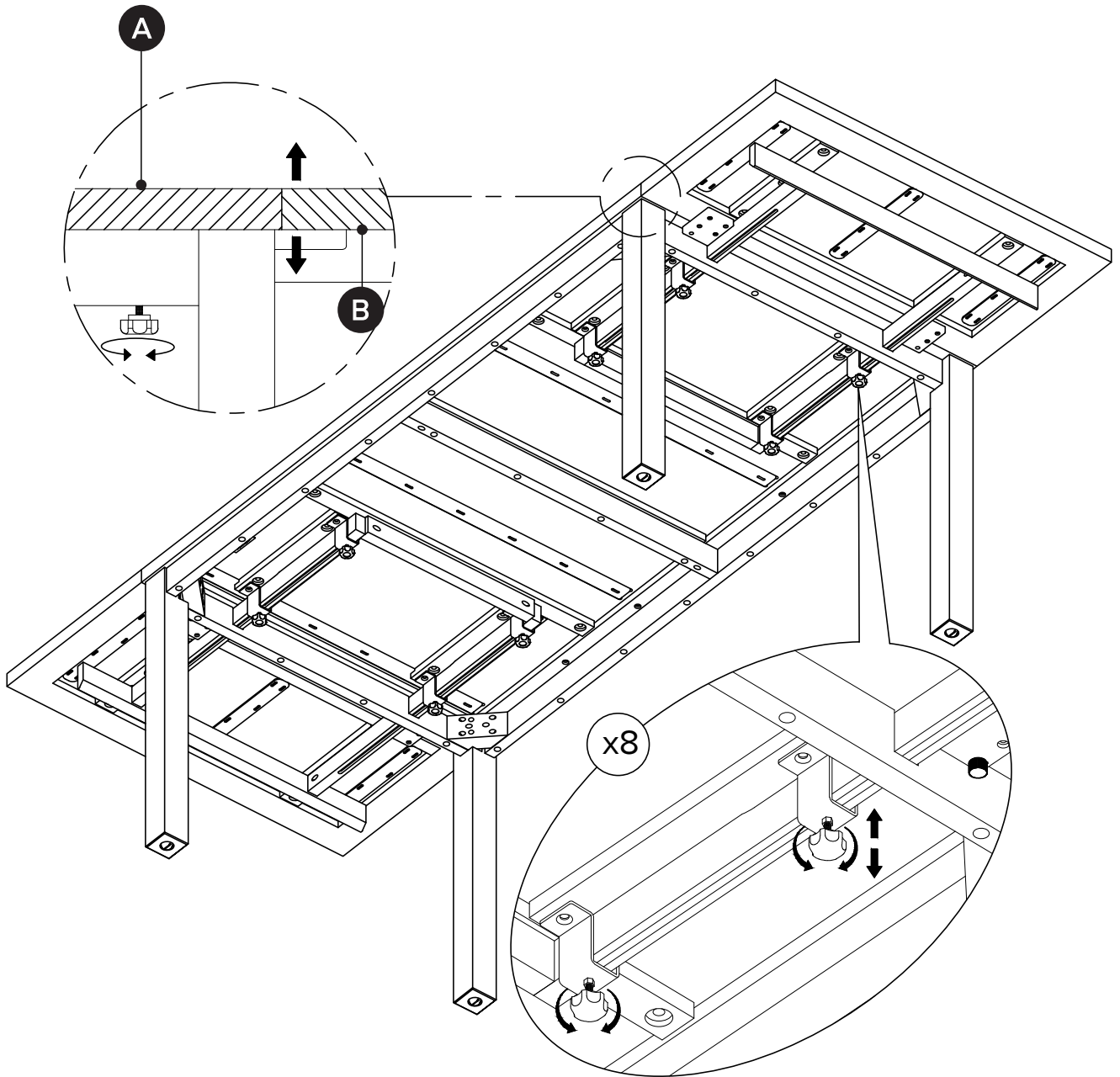
INSTALL TABLE LEAVES



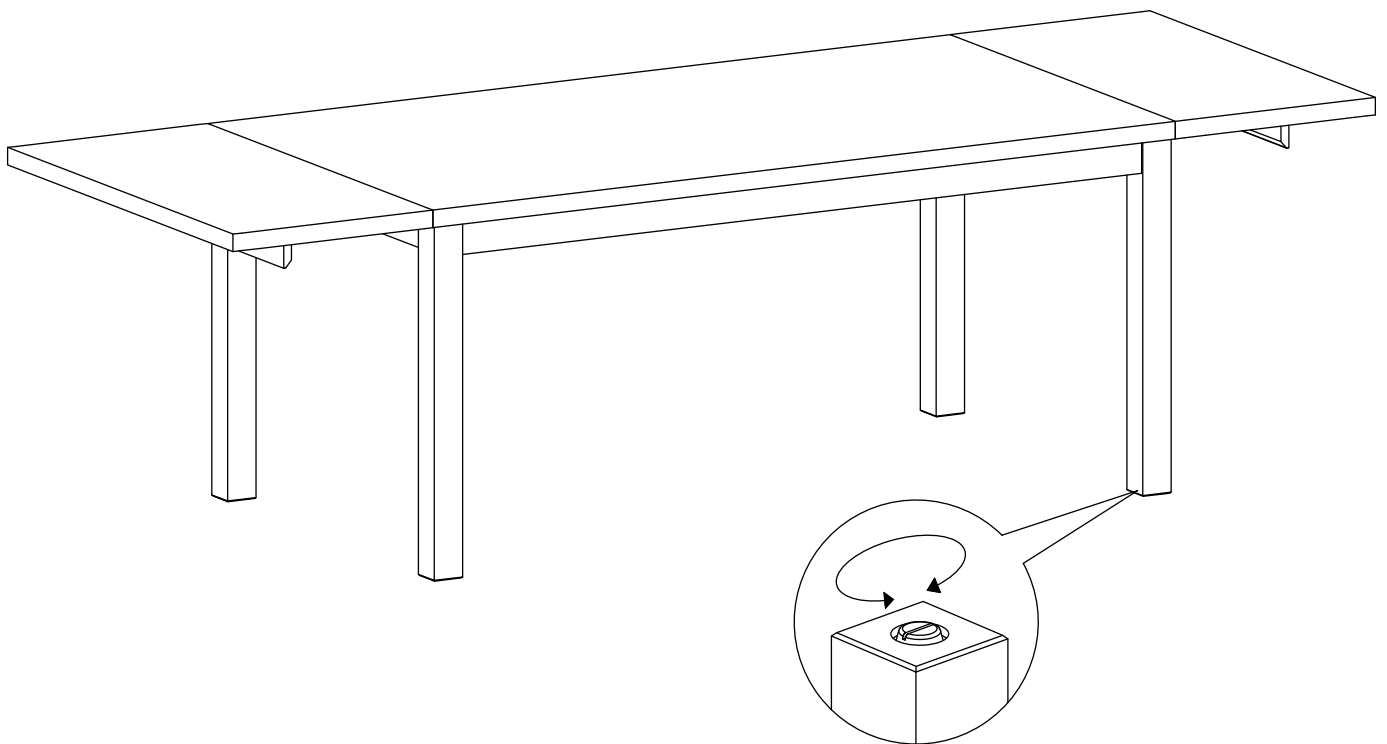
3



4



5



! Adjust the levelers to stabilize the furniture if it is unbalanced

IMPORTANT !

It is important that all bolts are re-tightened 2 weeks after assembly and once every 2 months in order to assure stability through-out the lifespan of this product.