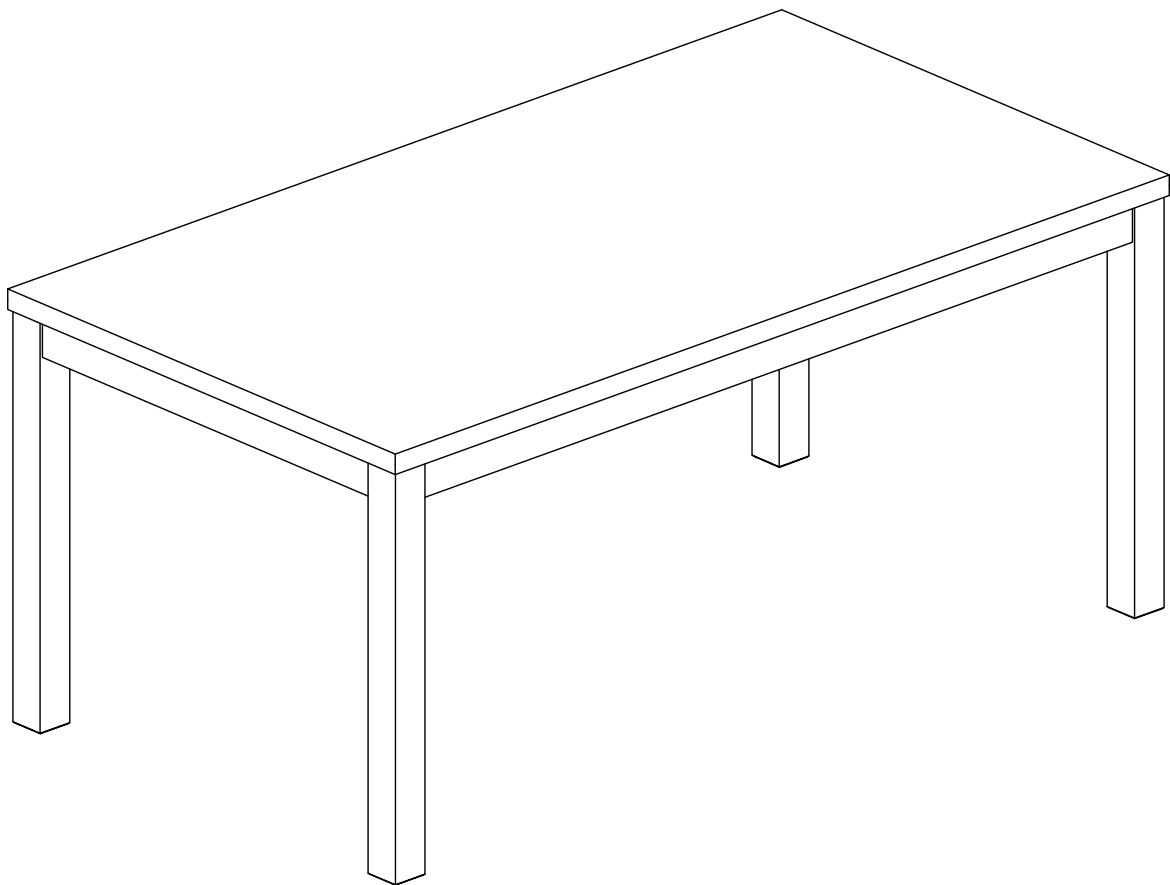


# ARTICLE.

VERSION 1.0

## Assembly Instructions



# ASHFORD

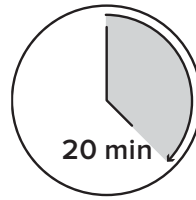
67" Solid Wood Dining Table

## ASSEMBLY INSTRUCTIONS

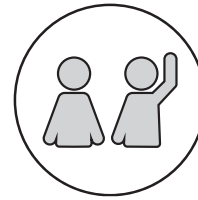
Read these instructions carefully and keep for future reference. Refer to parts inventory for guidance, and ensure you have all pieces before starting.

When assembling, place all parts on a soft, clean, and flat surface such as a carpet to prevent scratches.

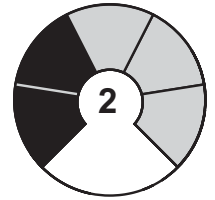
If you're having difficulty, our friendly Customer Care team is always here to help. Call us at 1.888.746.3455 during business hours, email [service@article.com](mailto:service@article.com) or chat live at [article.com](https://article.com)



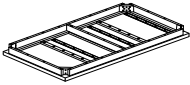
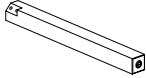




TIME



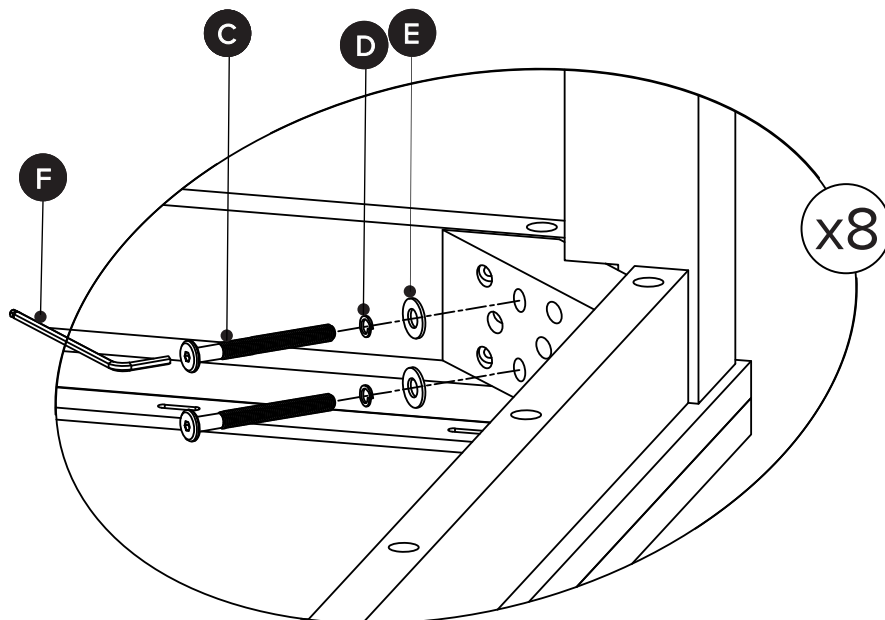
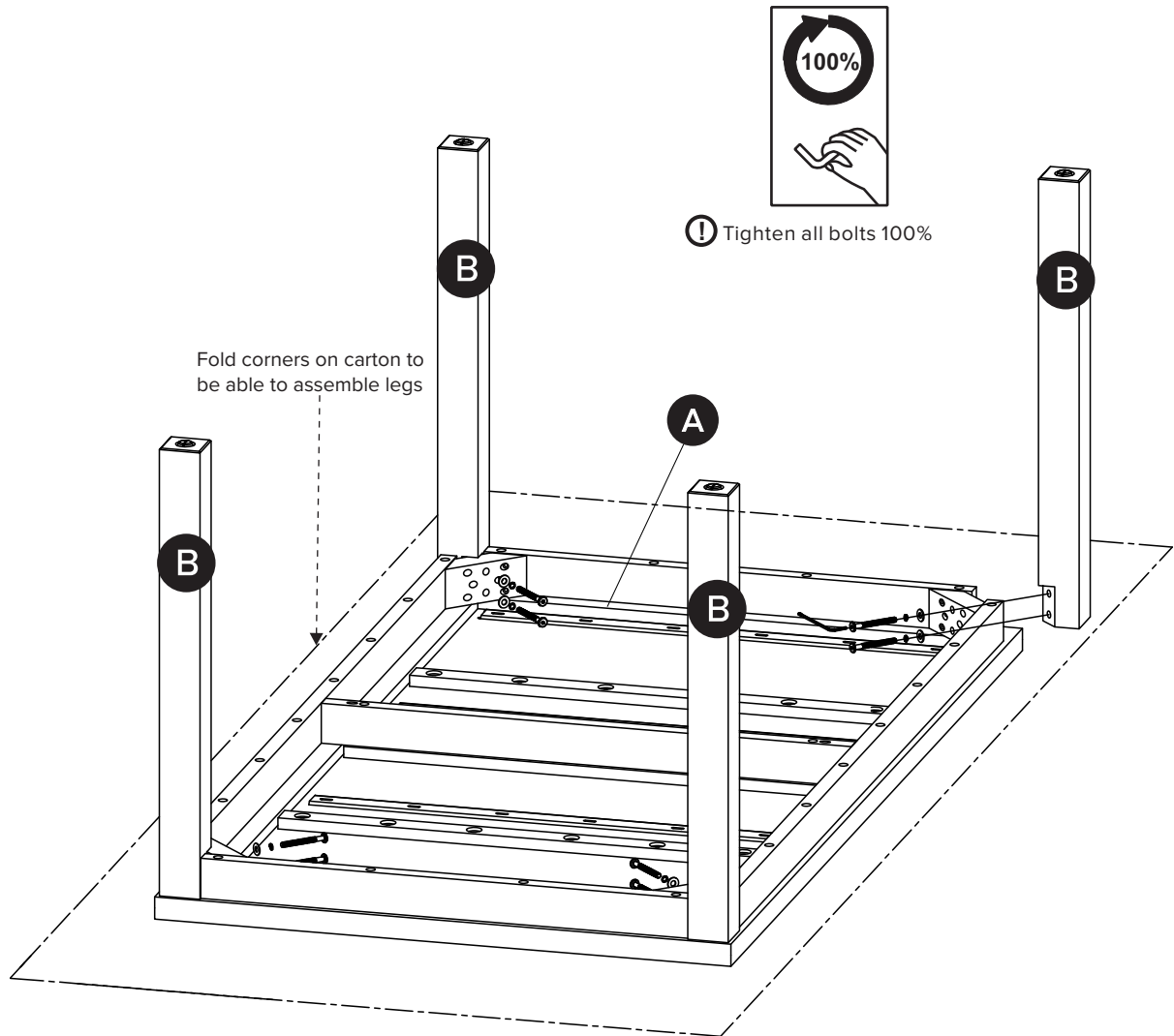
# OF PEOPLE



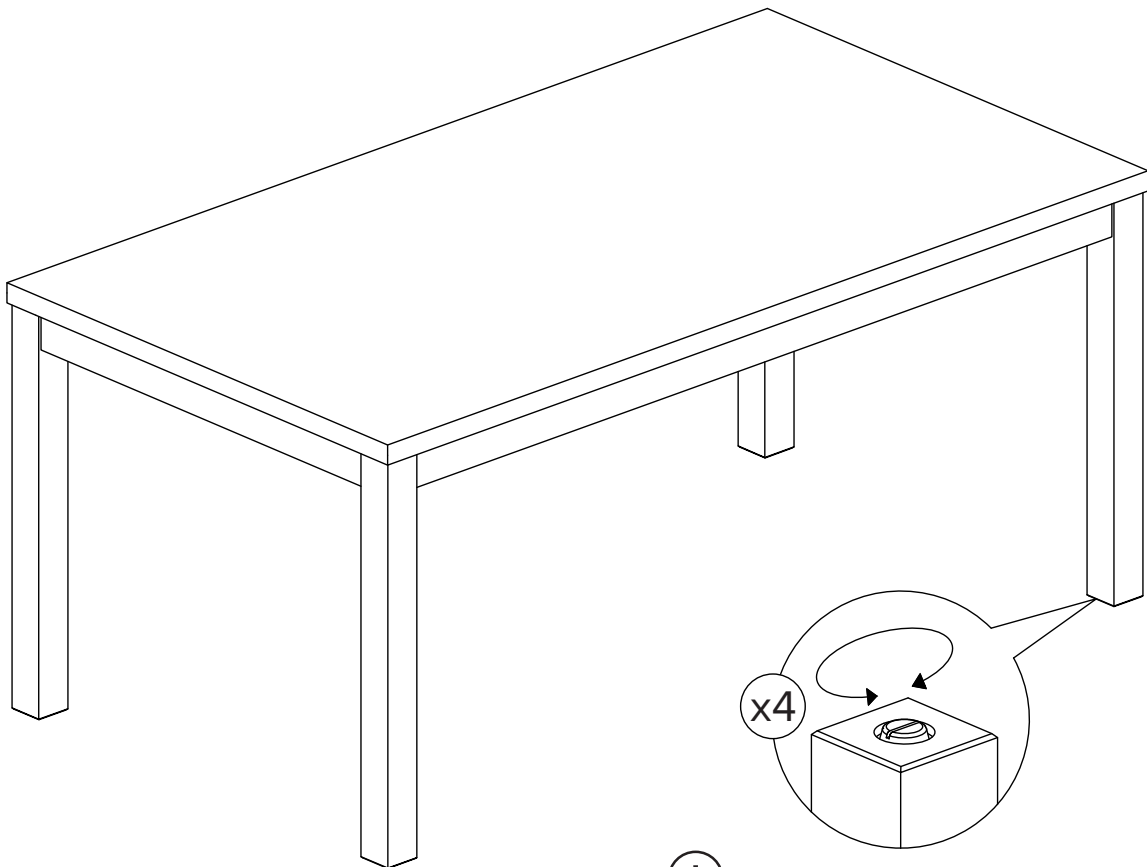
DIFFICULTY

PARTS INVENTORY		
ID	DESCRIPTION	QTY
A	TABLE TOP 	1
B	LEGS 	4
C	M8 × 75 MM BOLT 	8
D	M8 LOCK WASHER 	8
E	M8 FLAT WASHER 	8
F	ALLEN KEY 	1

1



2



! Adjust the levelers to stabilize the furnitue if it is unbalanced

**IMPORTANT !**

It is important that all bolts are re-tightened 2 weeks after assembly and once every 2 months in order to assure stability through-out the lifespan of this product.