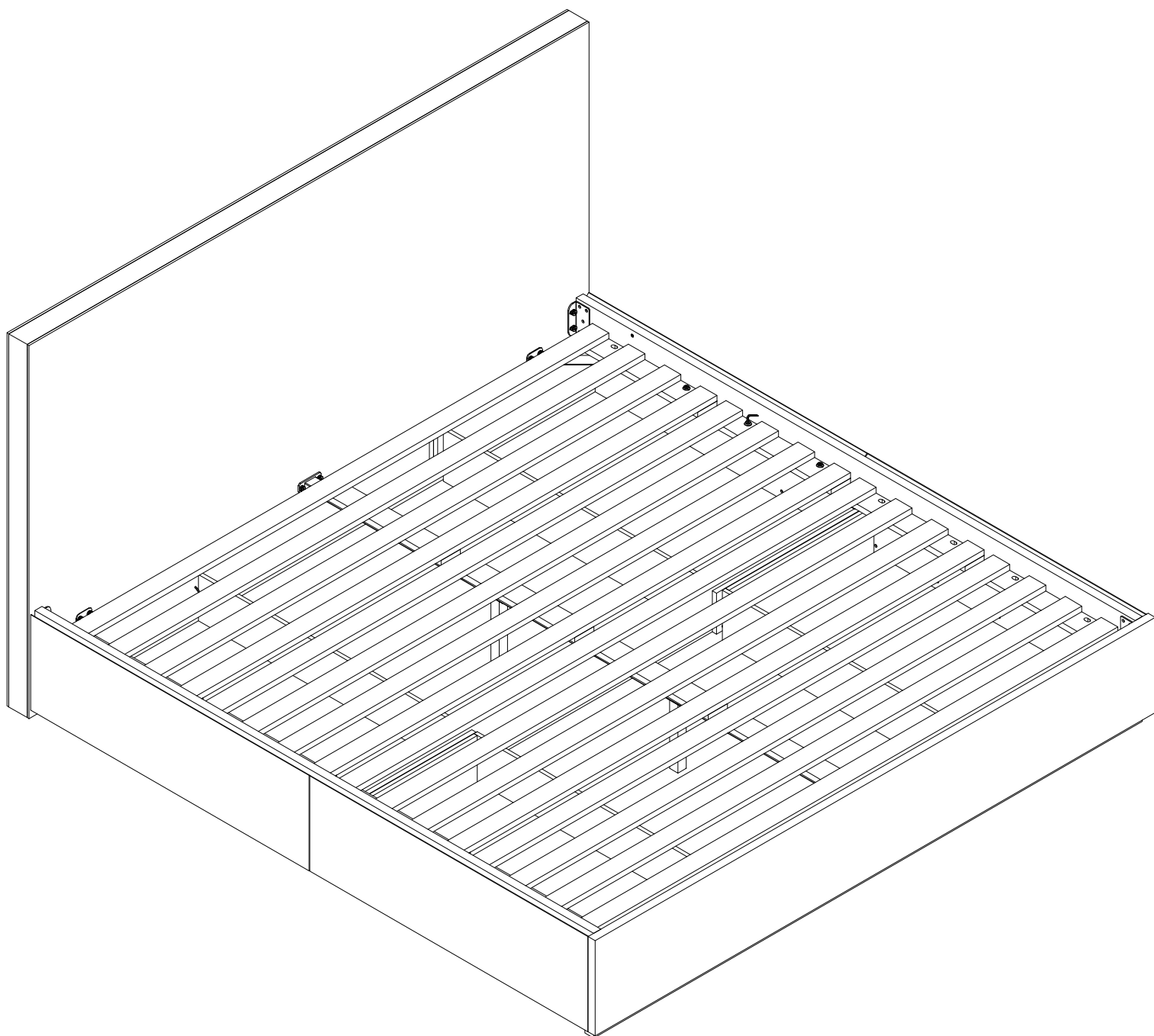


ARTICLE.

VERSION 2.0

Assembly Instructions



LEIF STORAGE

Bed

ASSEMBLY INSTRUCTIONS

Read these instructions carefully and keep for future reference. Refer to parts inventory for guidance, and ensure you have all pieces before starting.

When assembling, place all parts on a soft, clean, and flat surface such as a carpet to prevent scratches.

If you're having difficulty, our friendly Customer Care team is always here to help. Call us at **1.888.746.3455** during business hours, email **service@article.com** or chat live at **article.com**.



TIME













OF PEOPLE



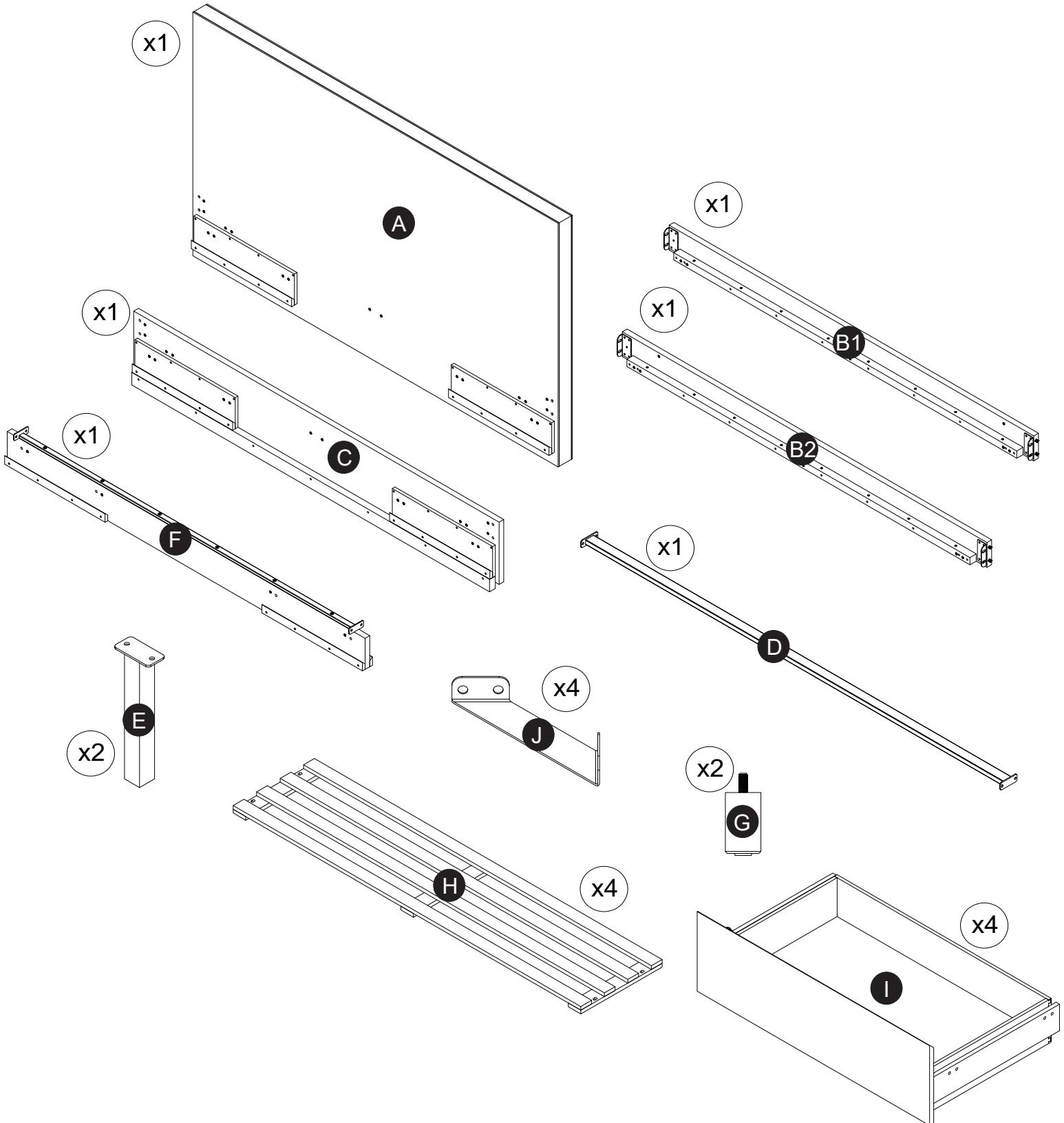
DIFFICULTY



PARTS INVENTORY		
ID	DESCRIPTION	QTY
A	HEADBOARD	1
B1	SIDE RAIL-LEFT	1
B2	SIDE RAIL-RIGHT	1
C	FOOTBOARD	1
D	CENTER BEAM	1
E	CENTER LEG	2
F	MIDDLE BOARD	1
G	SUPPORT LEG	2
H	SLATS	4
I	DRAWERS BOXES	4
J	CORNER BRACKET	4

HARDWARE LIST			
ID	DESCRIPTION		QTY
K	ALLEN KEY		2
L	M6 x 35MM BOLT		16
M	M6 x 20MM BOLT		4
N	M6 LOCK WASHER		28
O	M6 WASHER		28
P	M8 x 20MM BOLT		32
Q	M6 x 30MM BOLT		12
R	M8 LOCK WASHER		32
S	M8 WASHER		40
T	BOLT CAPS M6 x 40MM		4

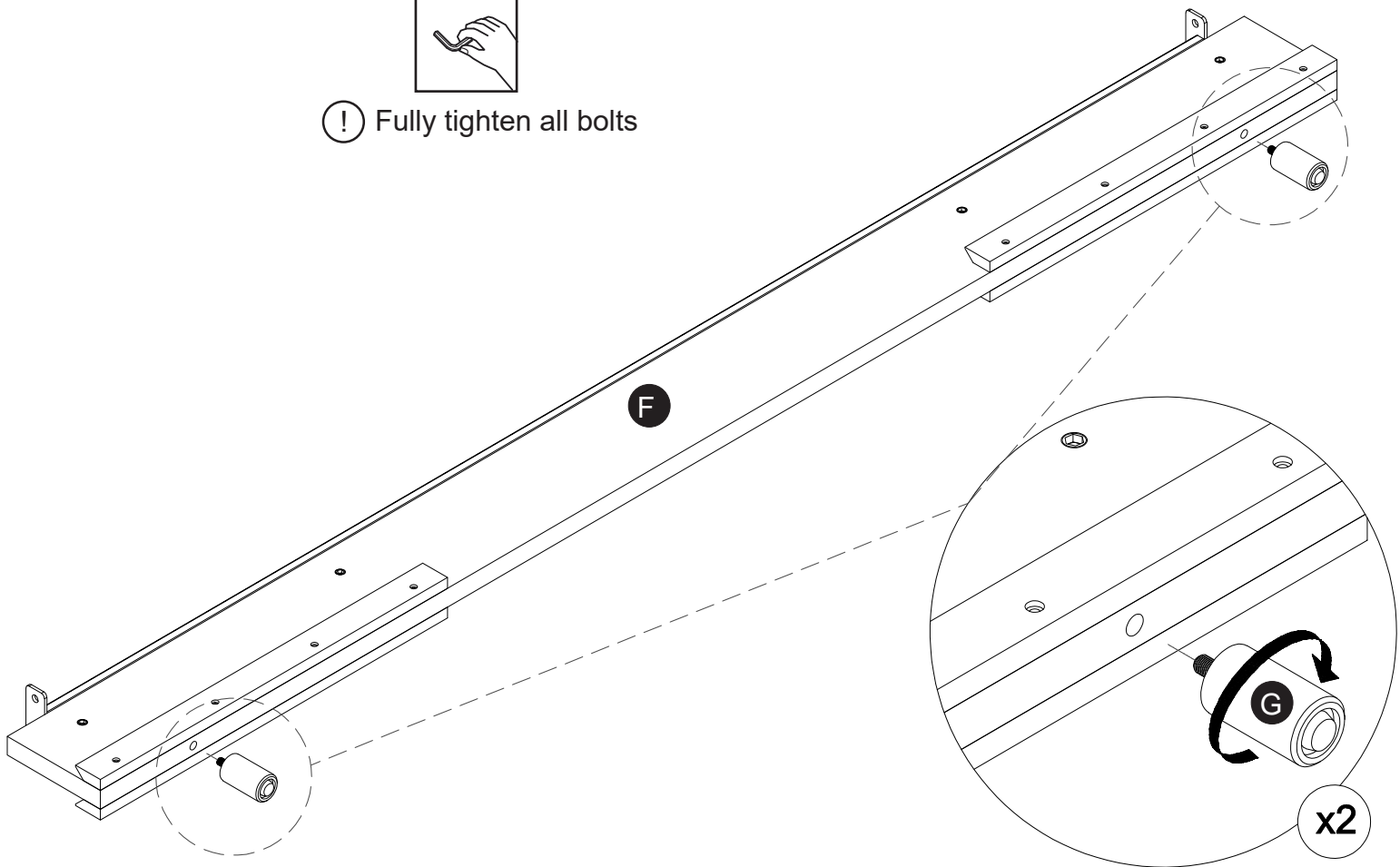
i



1



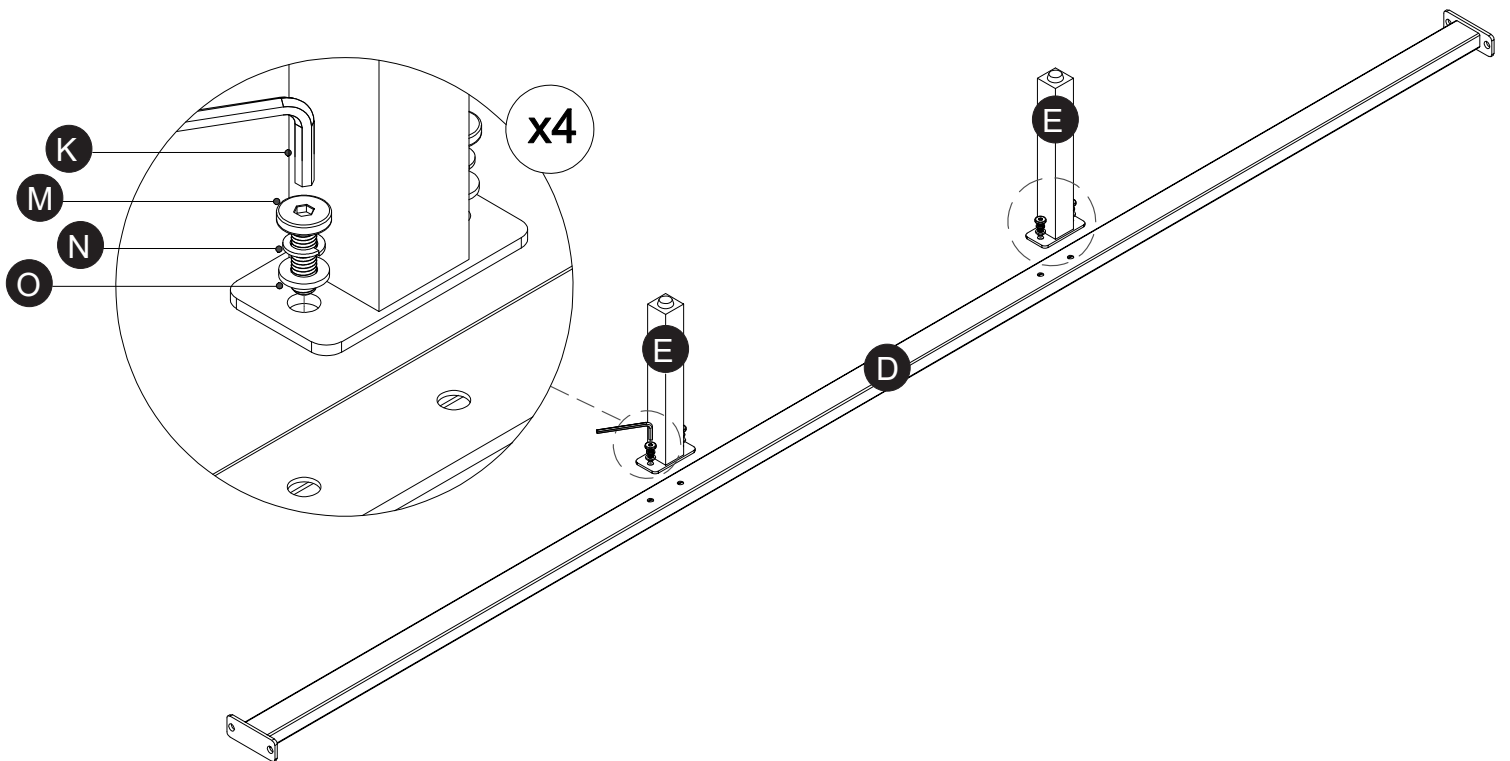
! Fully tighten all bolts



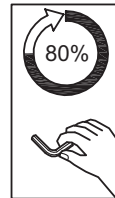
2



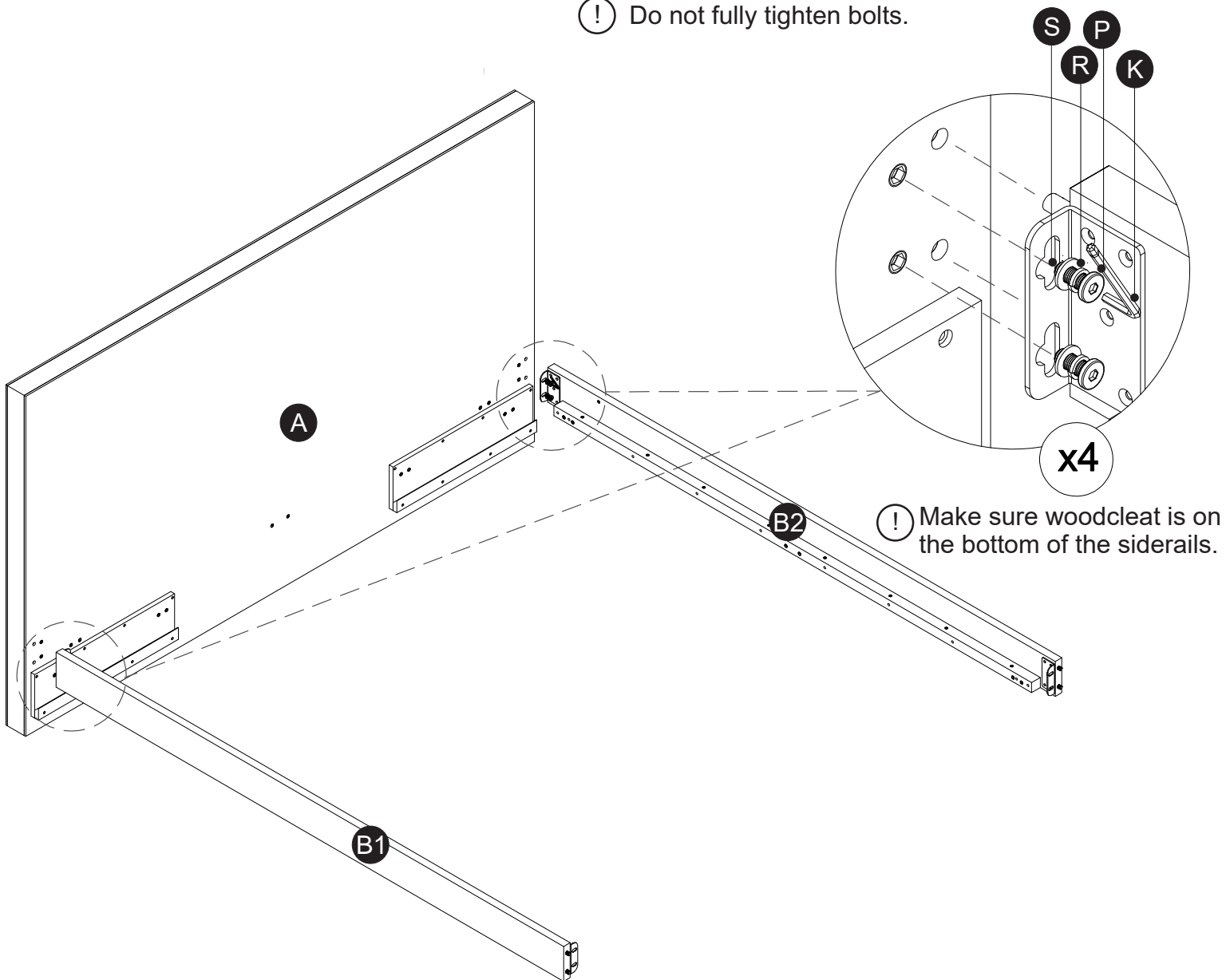
! Fully tighten all bolts



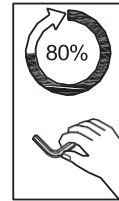
3



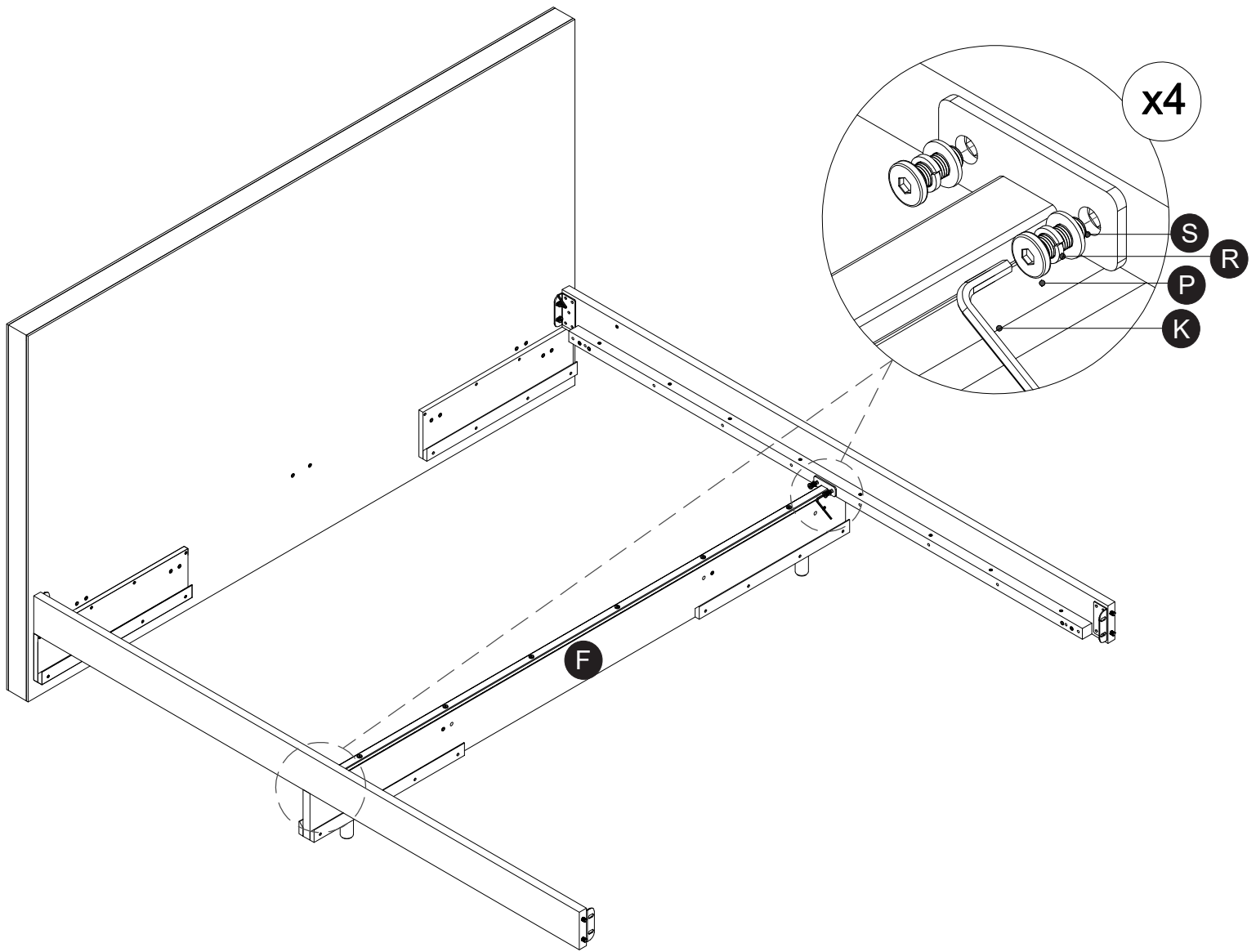
! Do not fully tighten bolts.



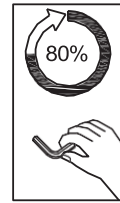
4



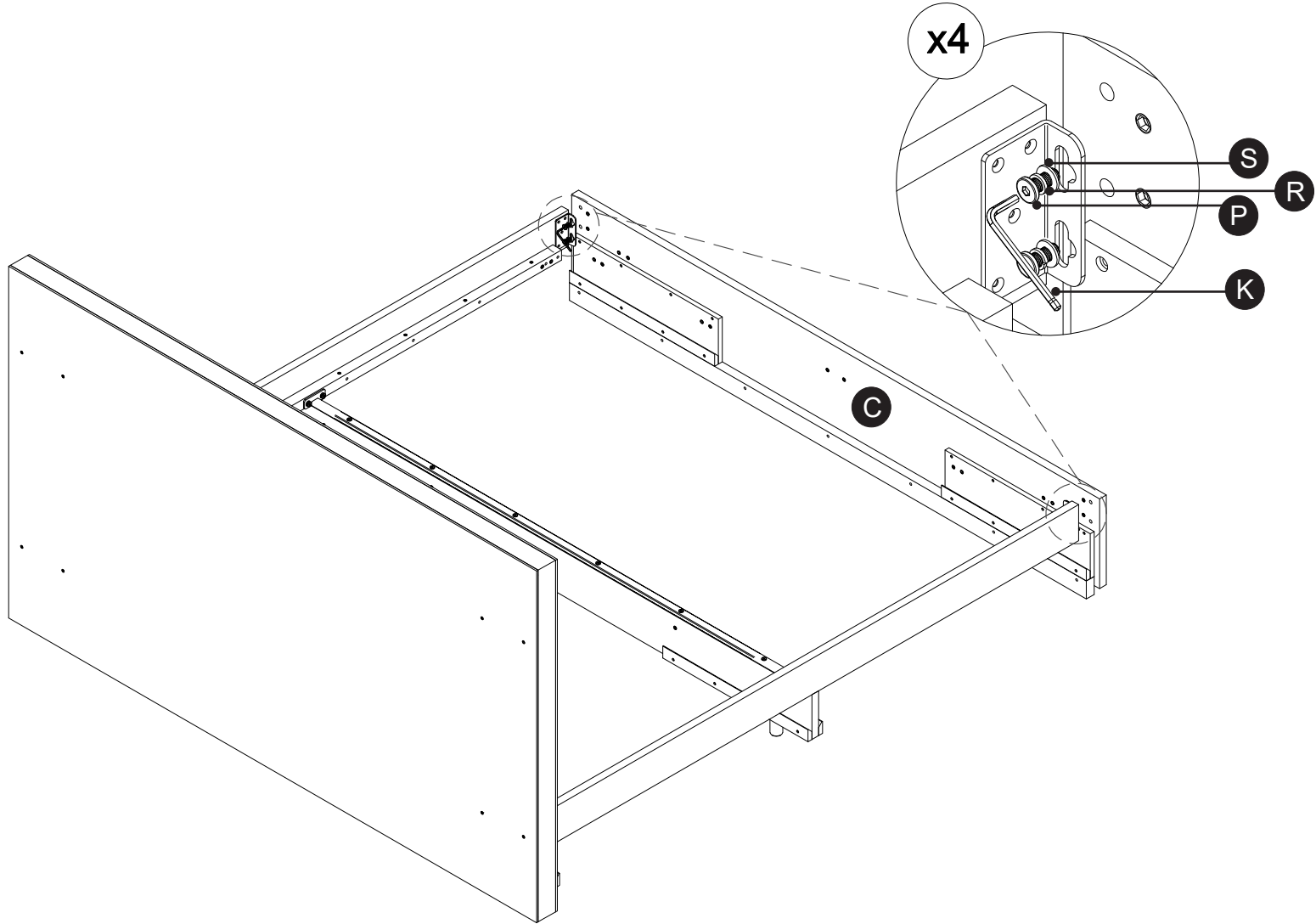
! Do not fully tighten bolts.



5



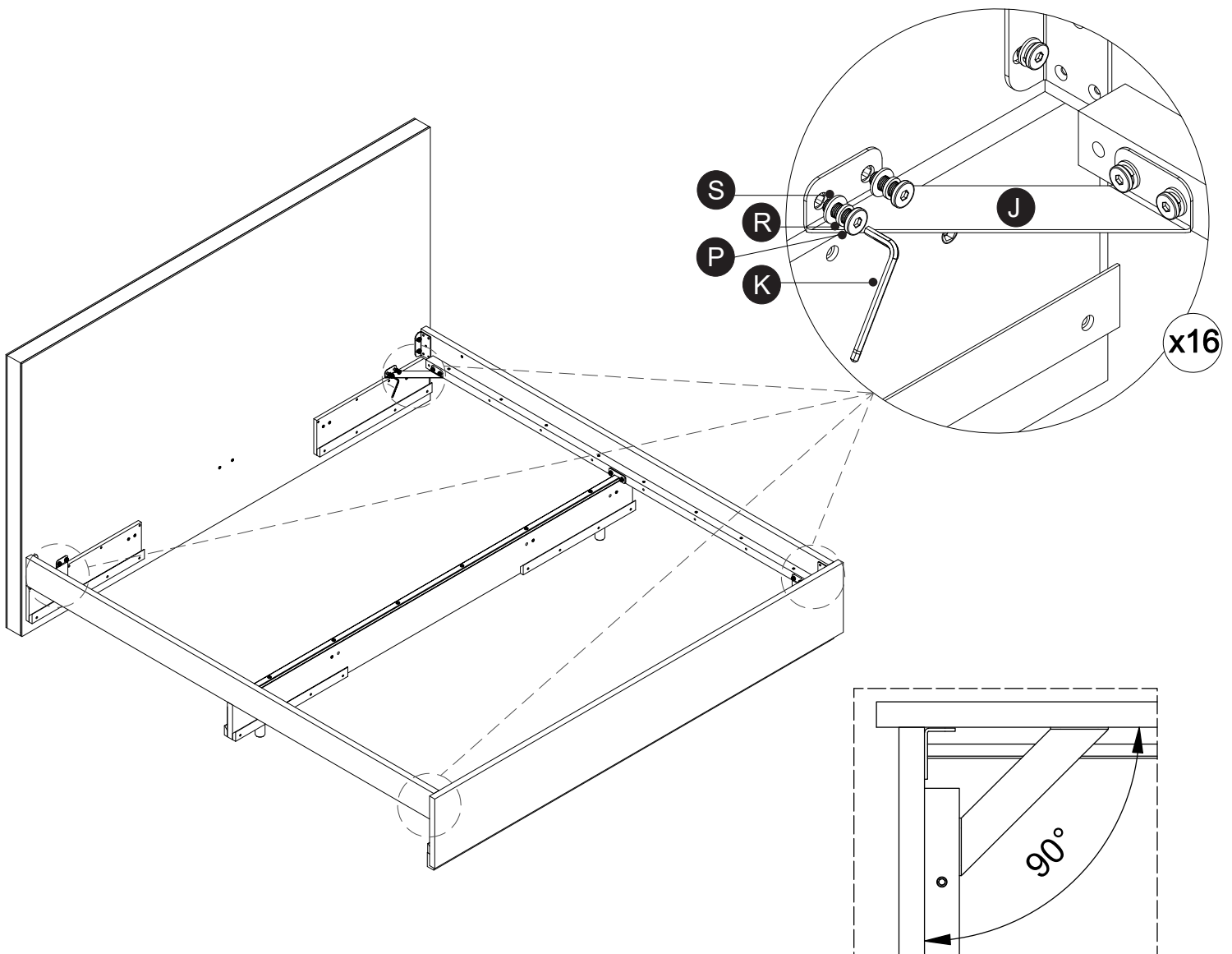
! Do not fully tighten bolts.



6



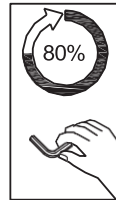
! Fully tighten all bolts



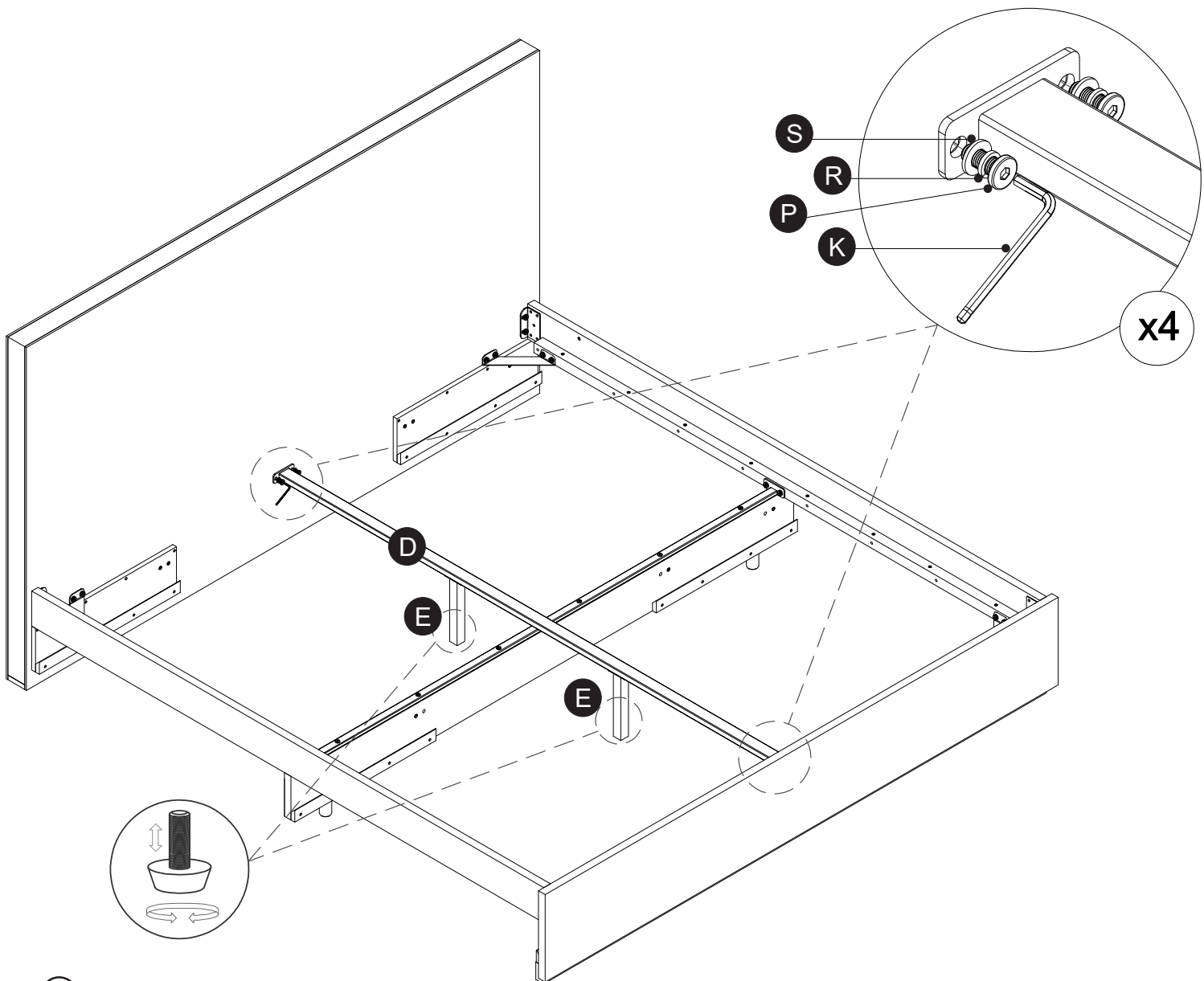
! After fully tightening the corner brackets, go back to fully tighten the corner in step Hand step 1 to F00A

! Ensure all four corners of the bed are at 90 degrees before fully tightening the corner brackets.

7



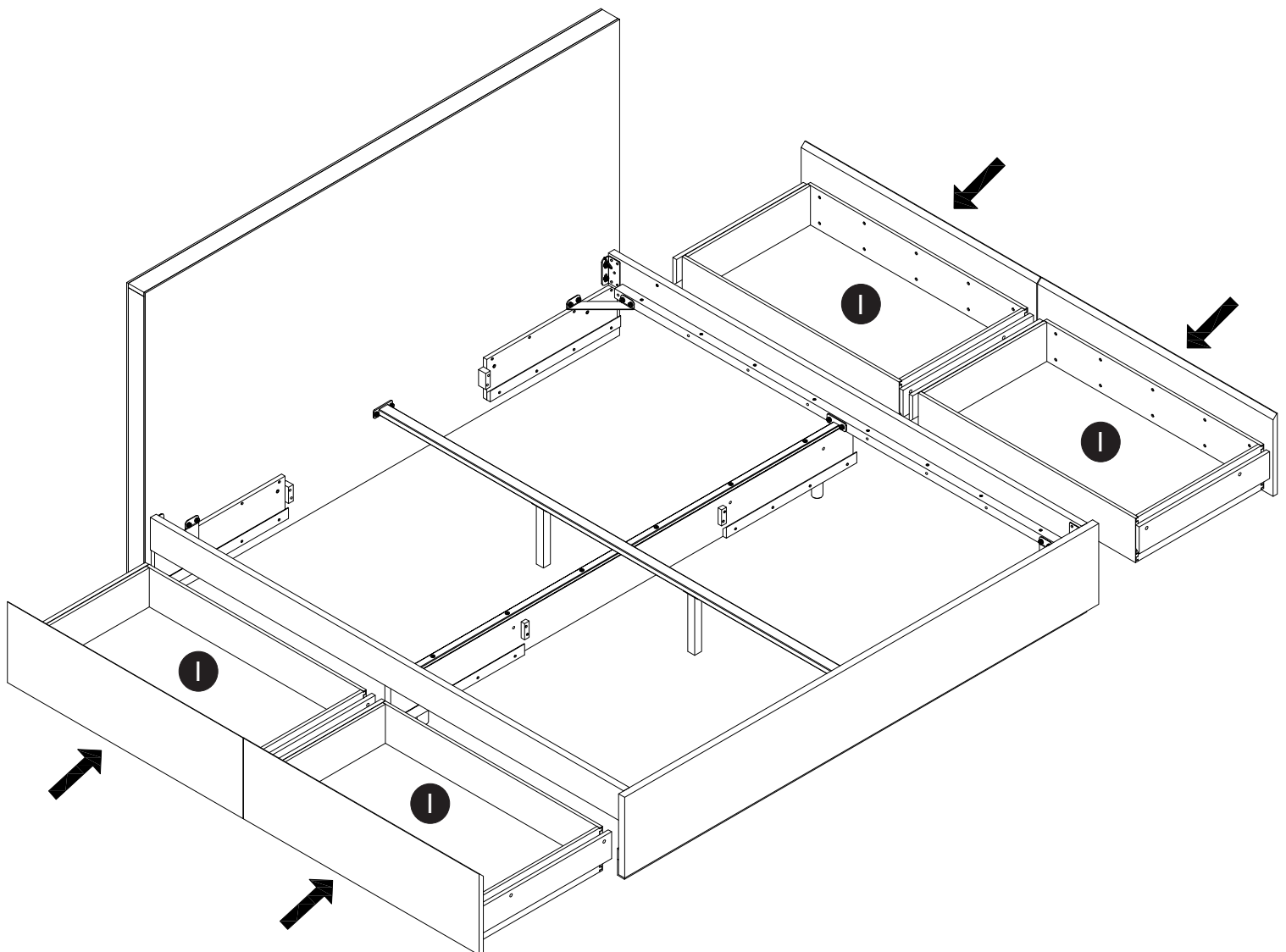
! Do not fully tighten bolts.



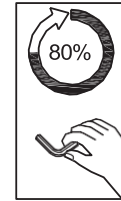
! Adjust leverler on floating center leg to allow for a 2-3mm clearance.

8

ⓘ Push drawers boxes in until they reach the end and cannot go any further

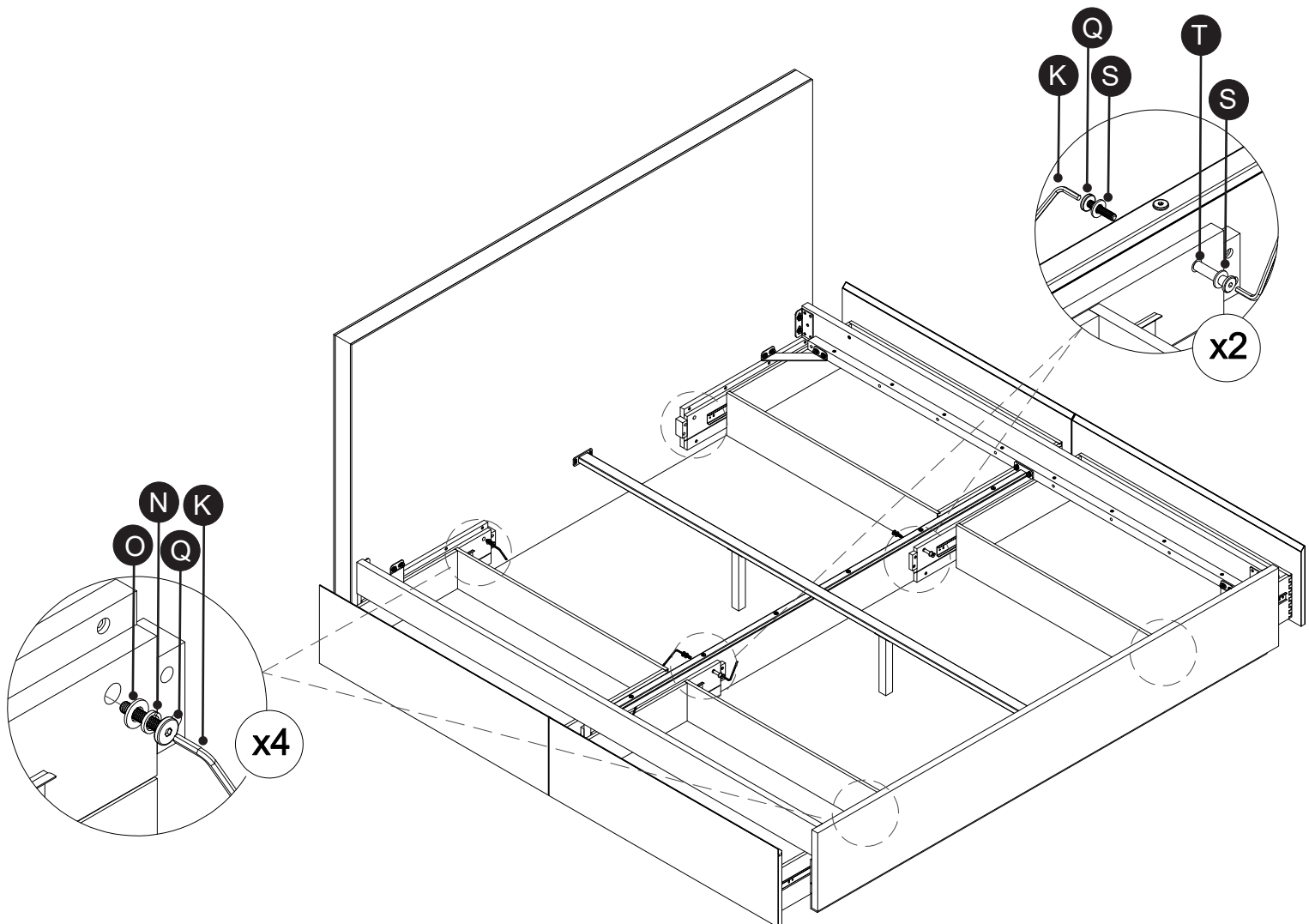


9

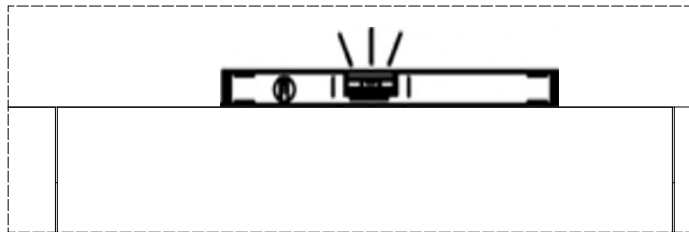


! Do not fully tighten bolts.

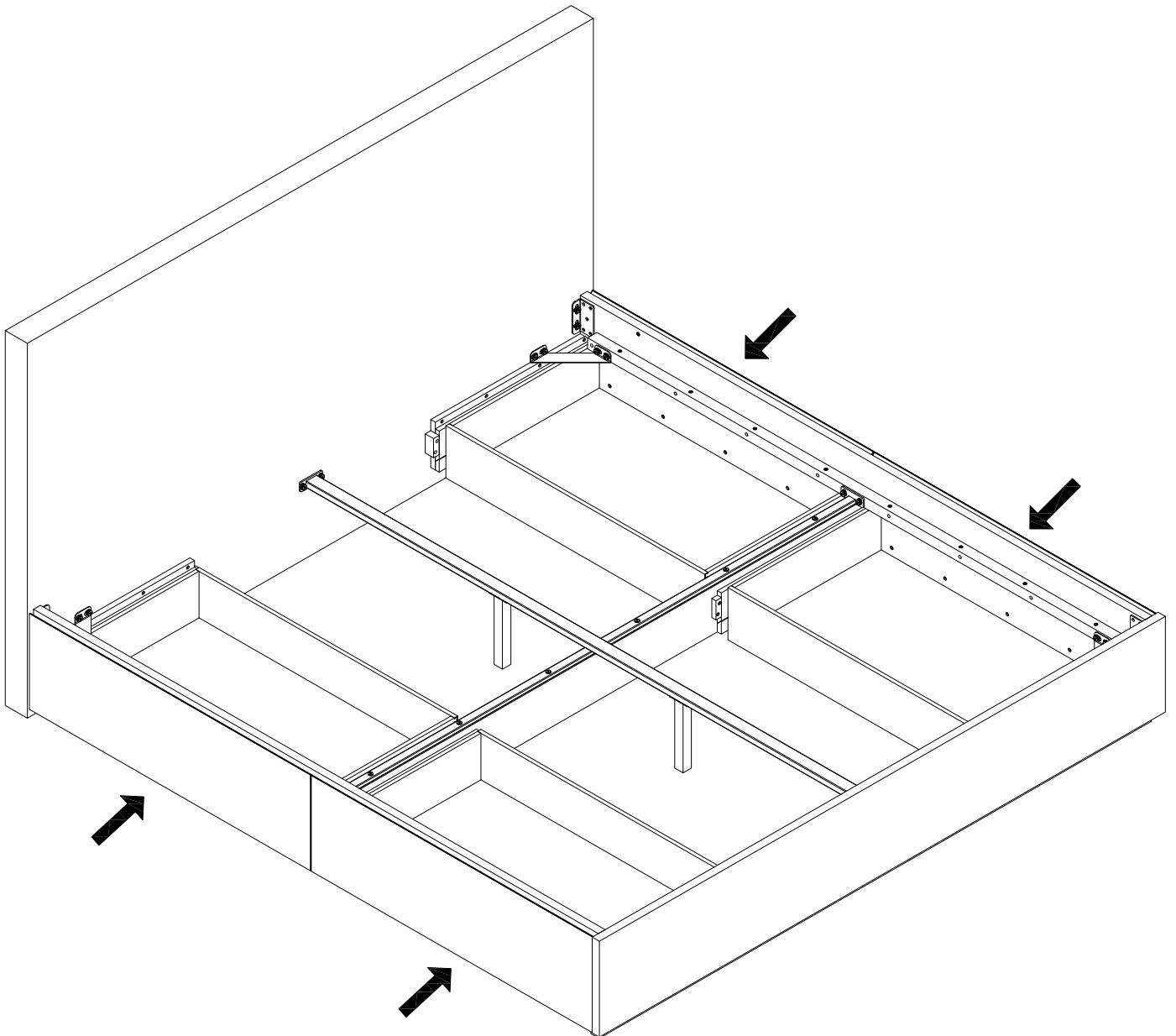
! Pull out the drawers halfway and attach bolts.



10



ⓘ Use a spirit level to ensure the bed is perfectly horizontal. When checking that the two drawers on each side are aligned.

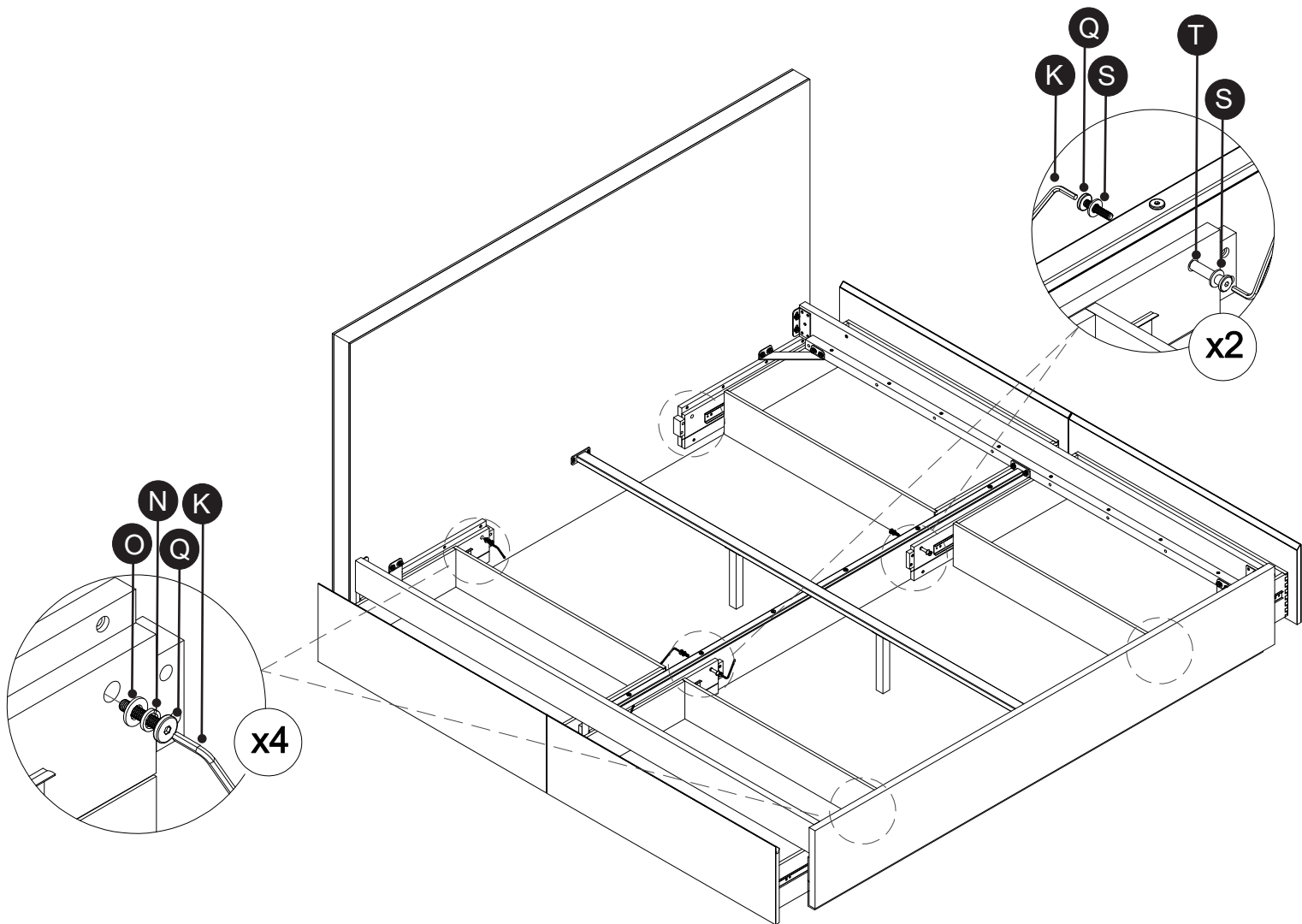


11



! Fully tighten all bolts

! Pull out the drawers halfway again and fully tighten all bolts.

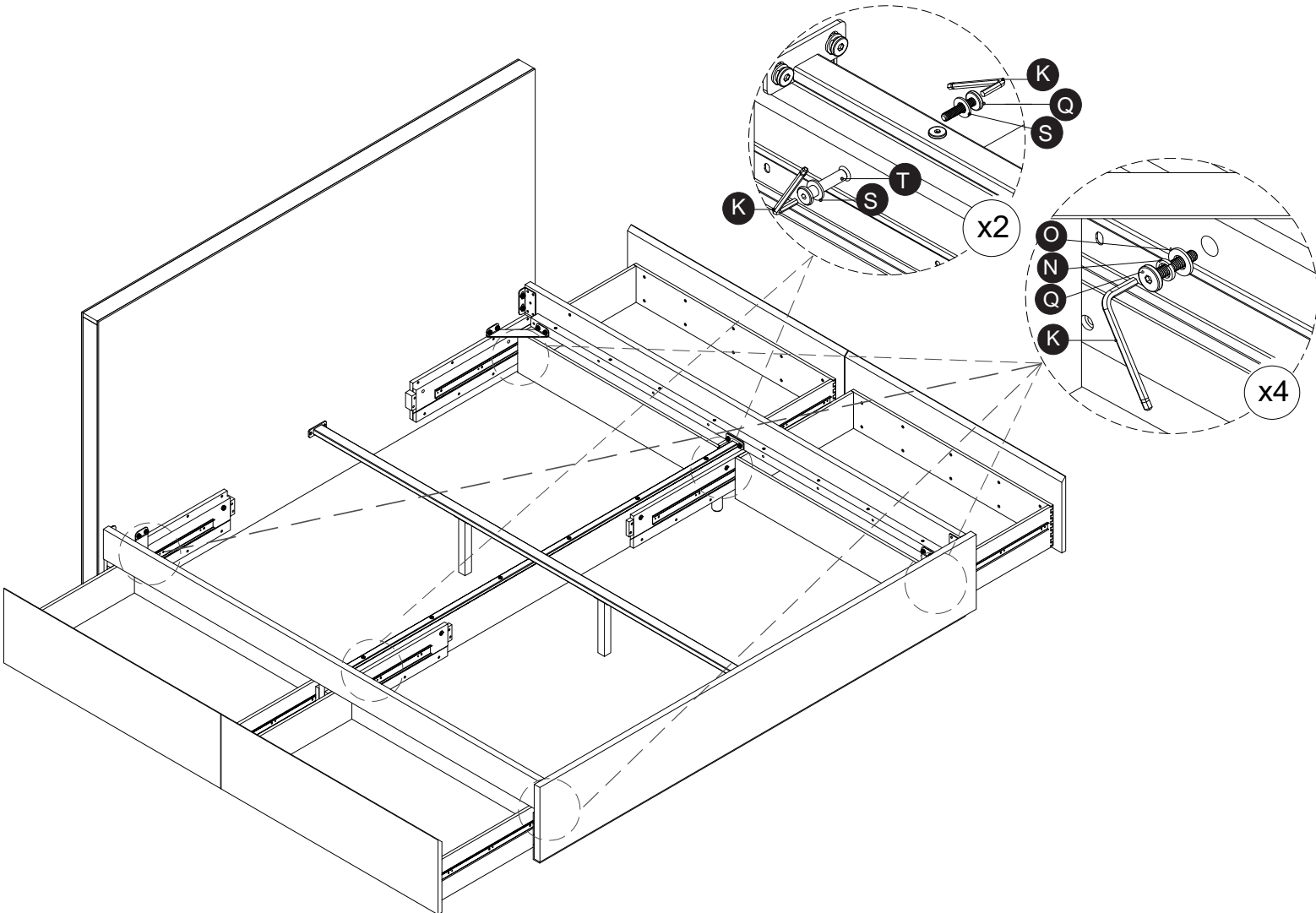


12



! Fully tighten all bolts on each corners and center frame after assembling the center frame.

! Pull out drawers fully and fully tighten insert bolts.

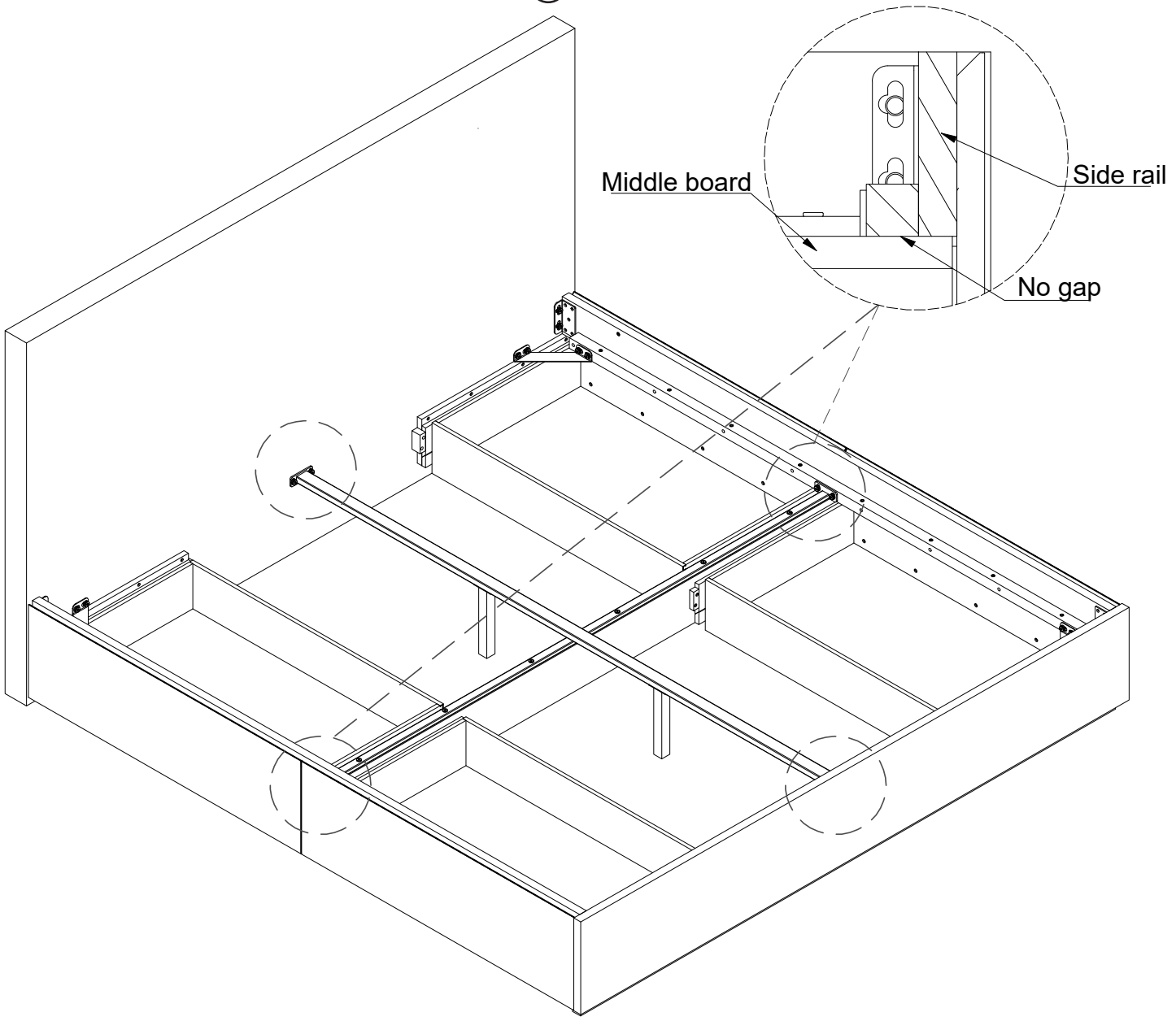


13



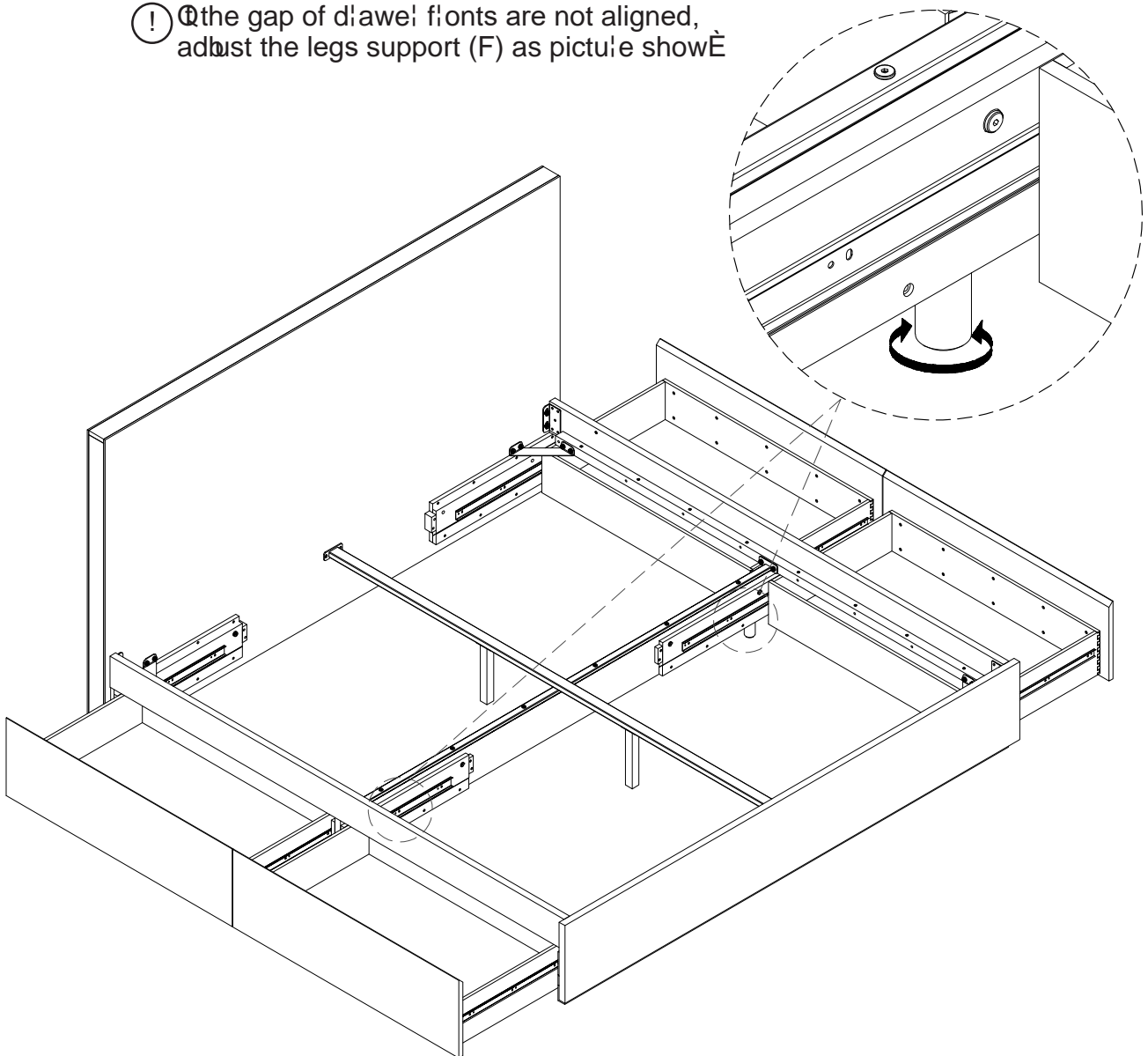
! Fully tighten all bolts

! Take care no gap between side rails and middle board



14

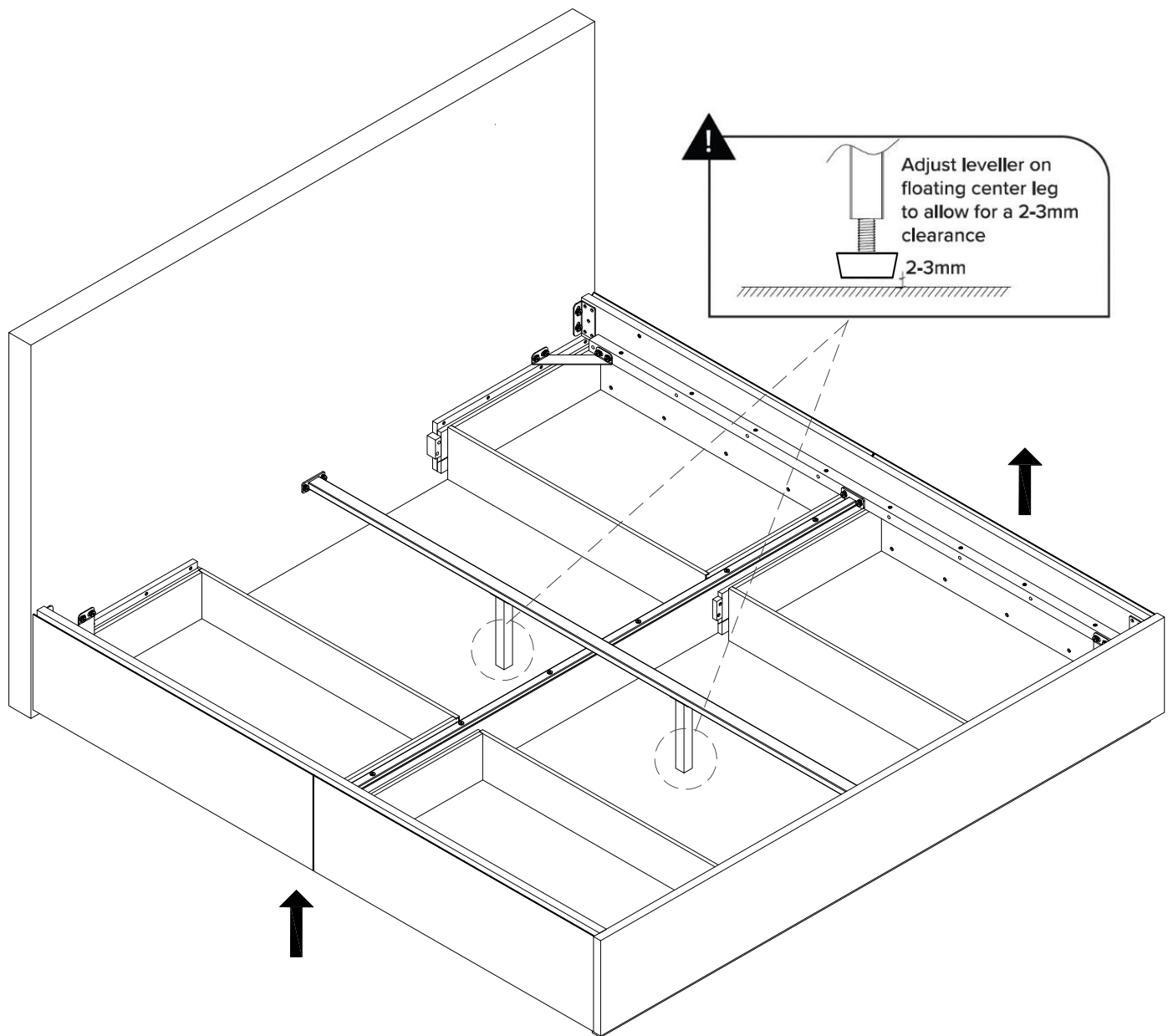
! If the gap of drawer fronts are not aligned, adjust the legs support (F) as picture show



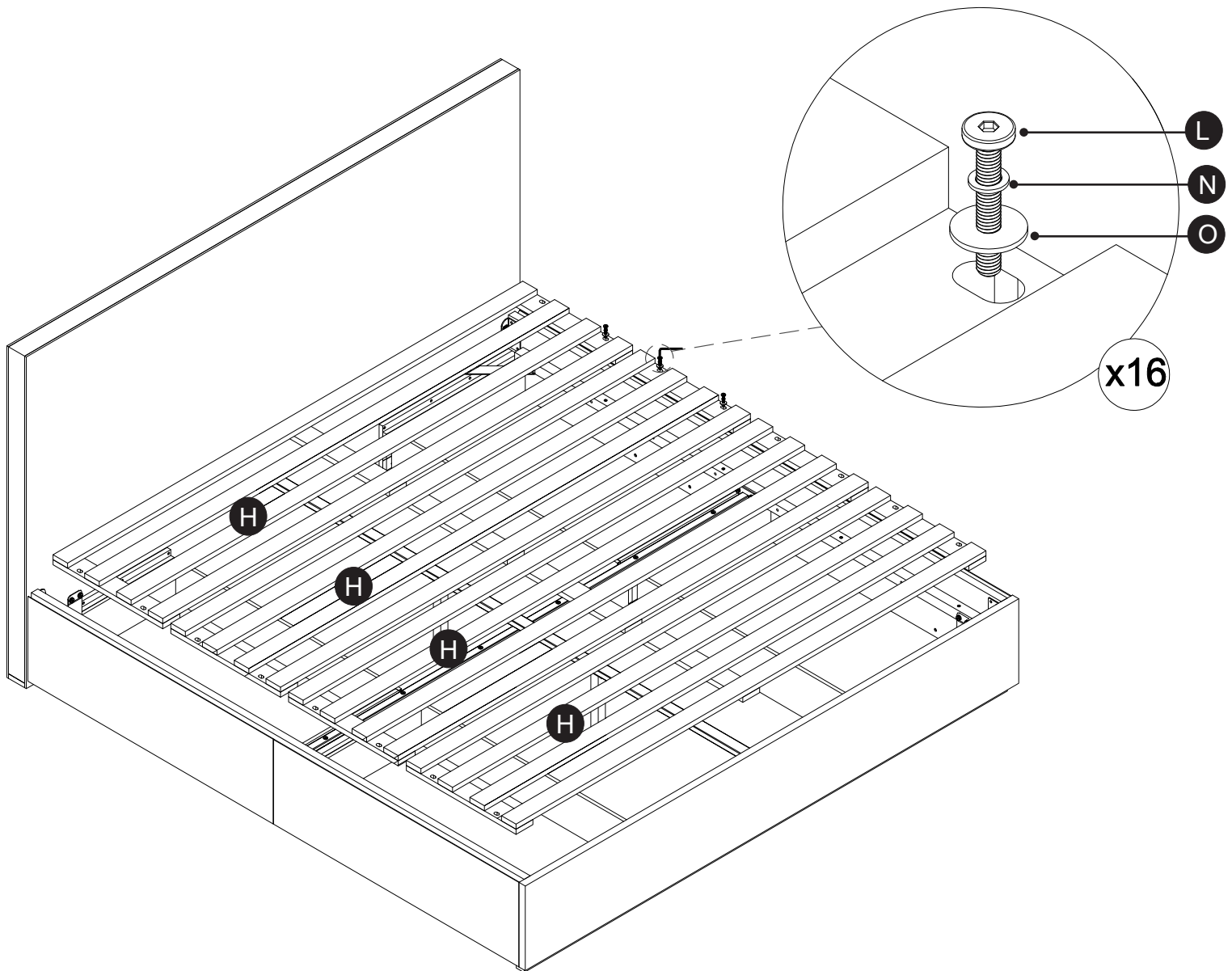
15



THREE PEOPLE LIFT

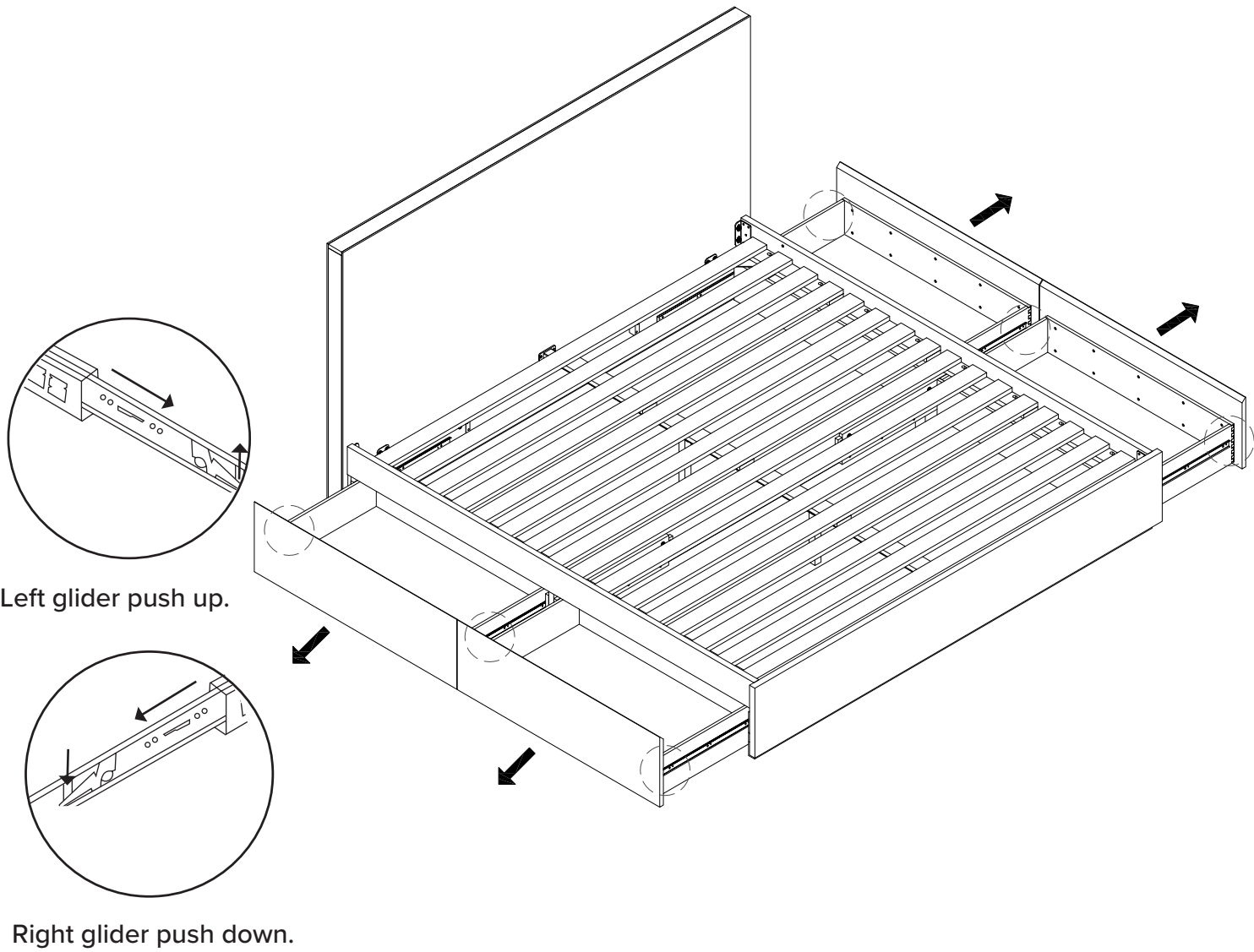


16



17

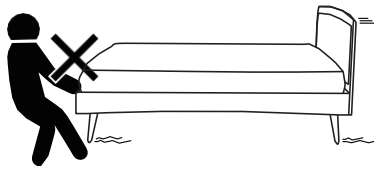
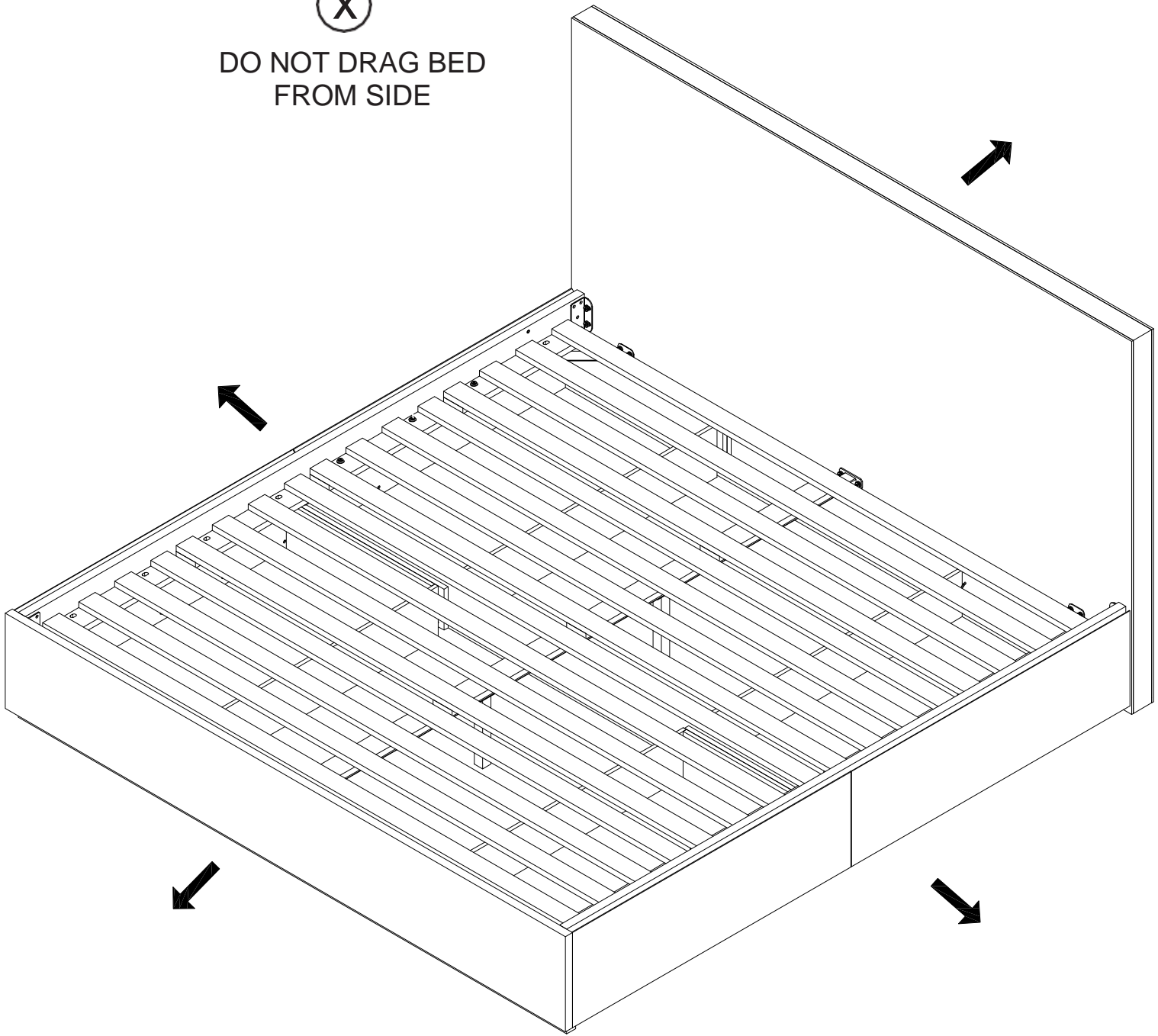
HOW TO REMOVE DRAWERS



18



DO NOT DRAG BED FROM SIDE

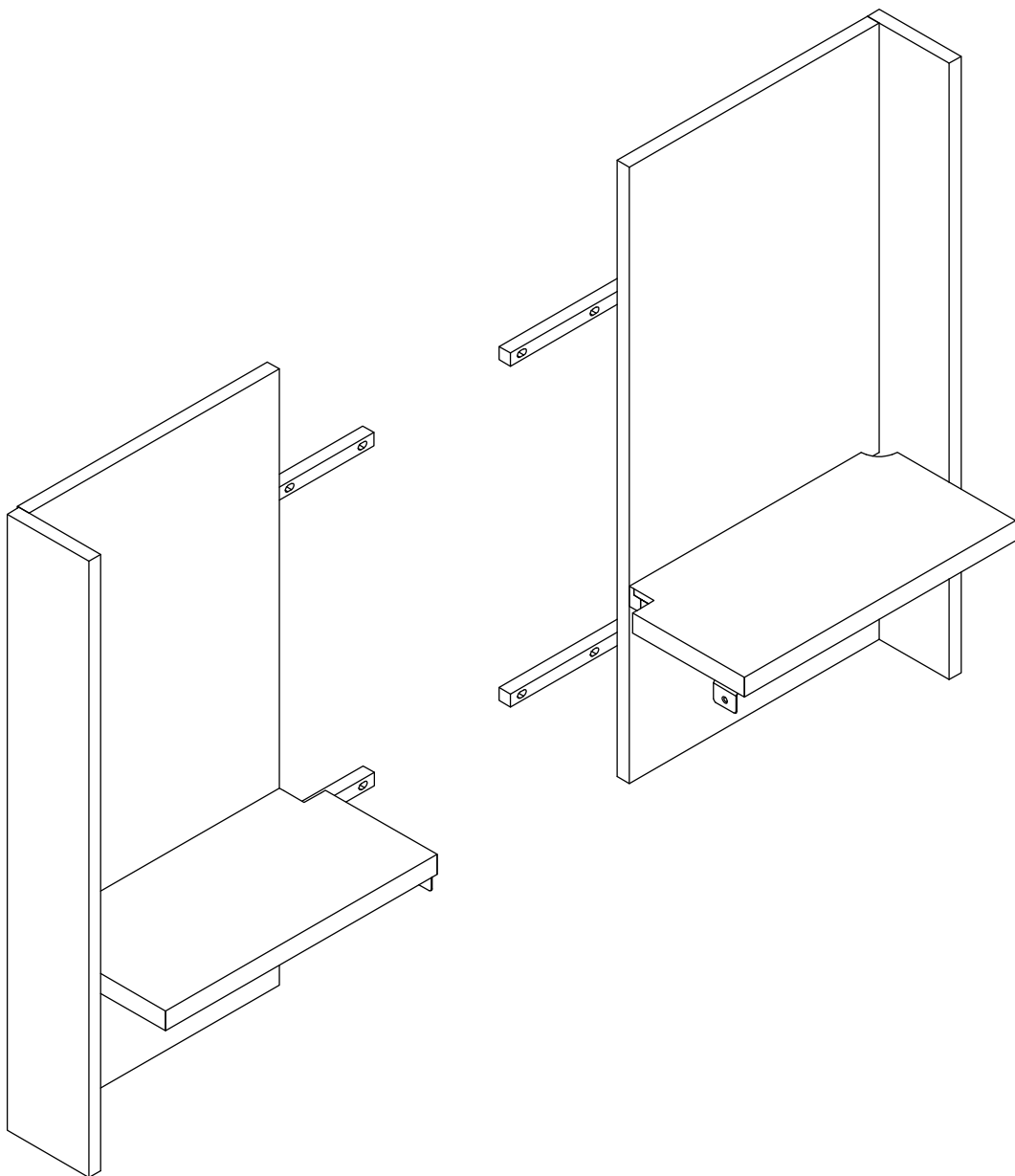


DO NOT DRAG BED, ALWAYS LIFT WITH AT LEAST TWO PEOPLE BEFORE MOVING

ARTICLE.

VERSION 1.0

Assembly Instructions



LEIF

Nightstand Extension Set

ASSEMBLY INSTRUCTIONS

Read these instructions carefully and keep for future reference. Refer to parts inventory for guidance, and ensure you have all pieces before starting.

When assembling, place all parts on a soft, clean, and flat surface such as a carpet to prevent scratches.

If you're having difficulty, our friendly Customer Care team is always here to help. Call us at **1.888.746.3455** during business hours, email **service@article.com** or chat live at **article.com**.



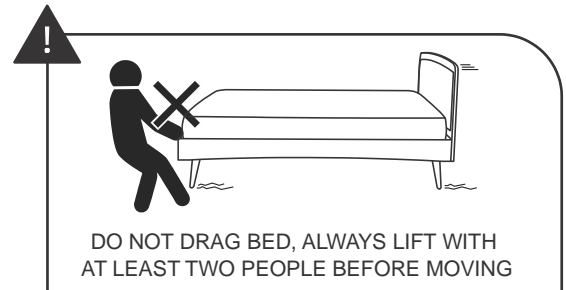
TIME




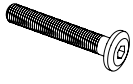






OF PEOPLE



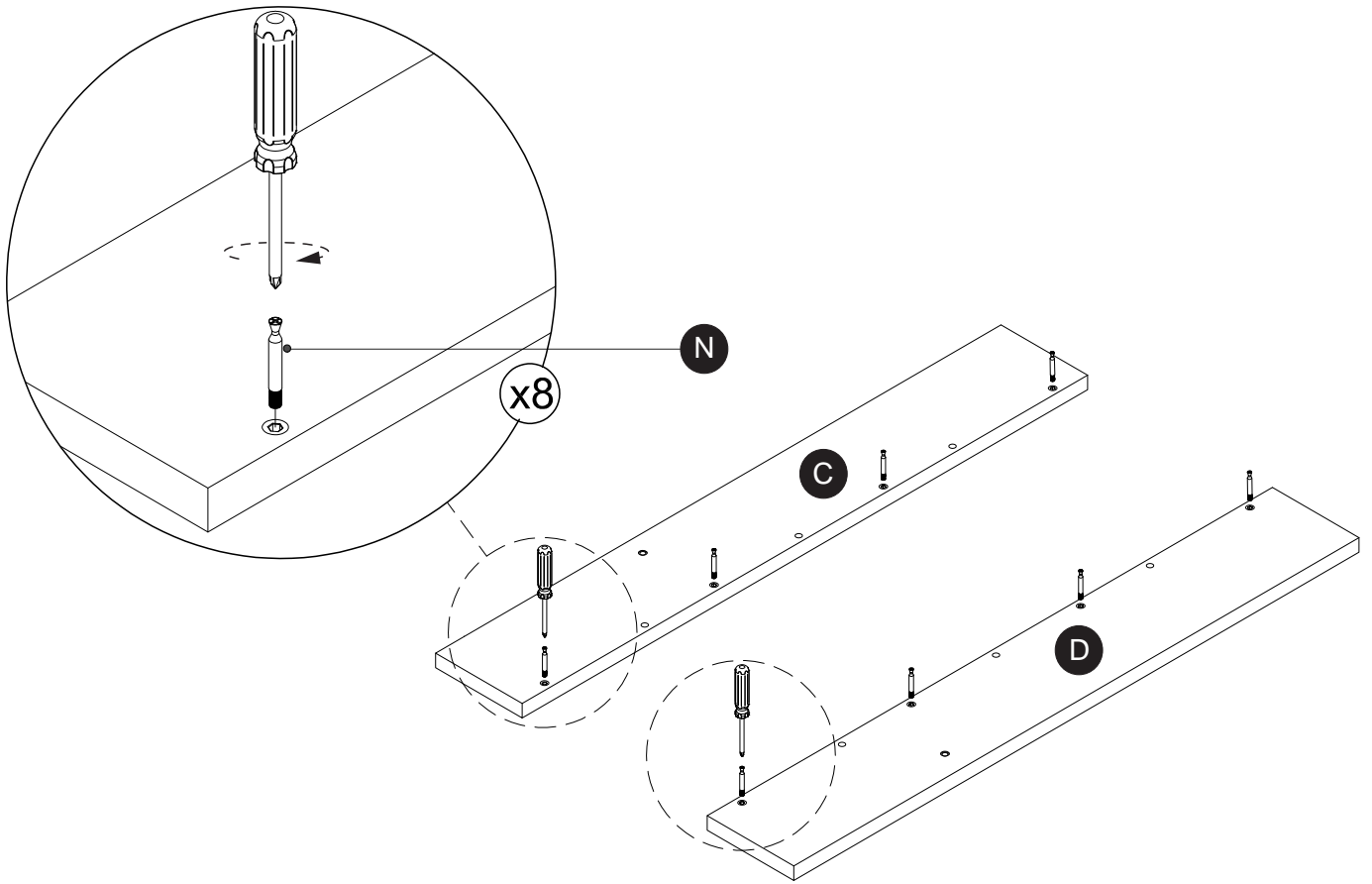
DIFFICULTY



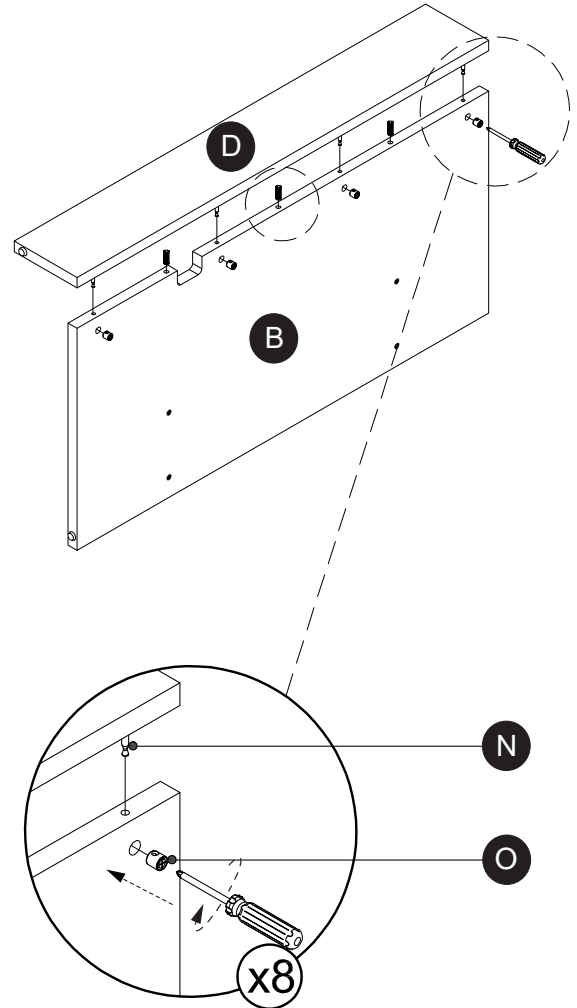
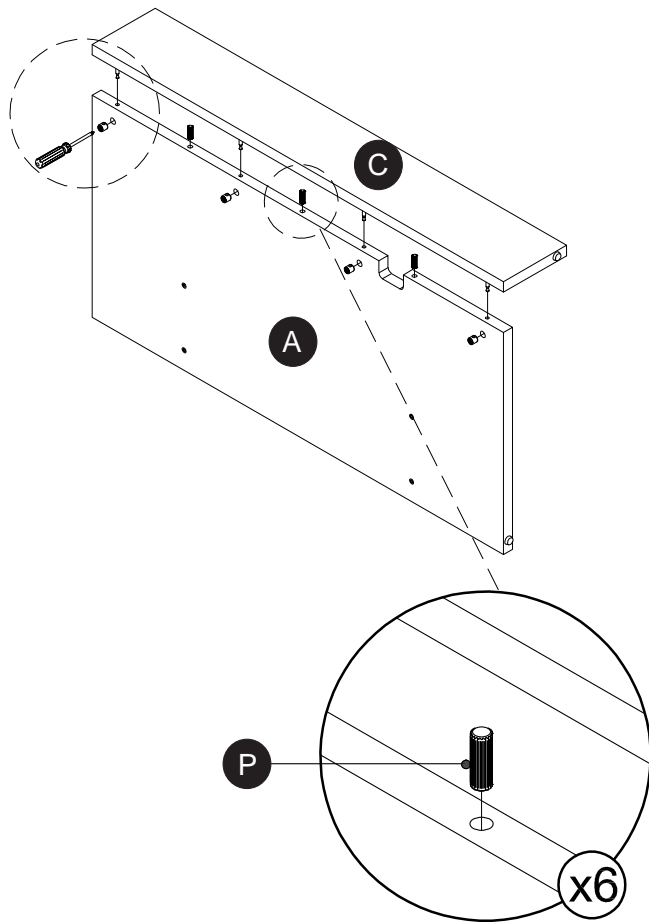
PARTS INVENTORY		
ID	DESCRIPTION	QTY
A	LEFT BACK PANEL	1
B	RIGHT BACK PANEL	1
C	LEFT SIDE PANEL	1
D	RIGHT SIDE PANEL	1
E	LEFT SHELF	1
F	RIGHT SHELF	1
G	FRAME PART	4
H	METAL BRACKET	2

PARTS INVENTORY CONT.		
ID	DESCRIPTION	QTY
I	ALLEN KEY 	2
J	M6 × 40MM BOLT 	22
K	M6 × 20MM BOLT 	6
L	M6 LOCK WASHER 	22
M	M6 WASHER 	22
N	CAMLOCK PIN 	8
O	CAMLOCK 	8
P	WOOD DOWEL 	10

1

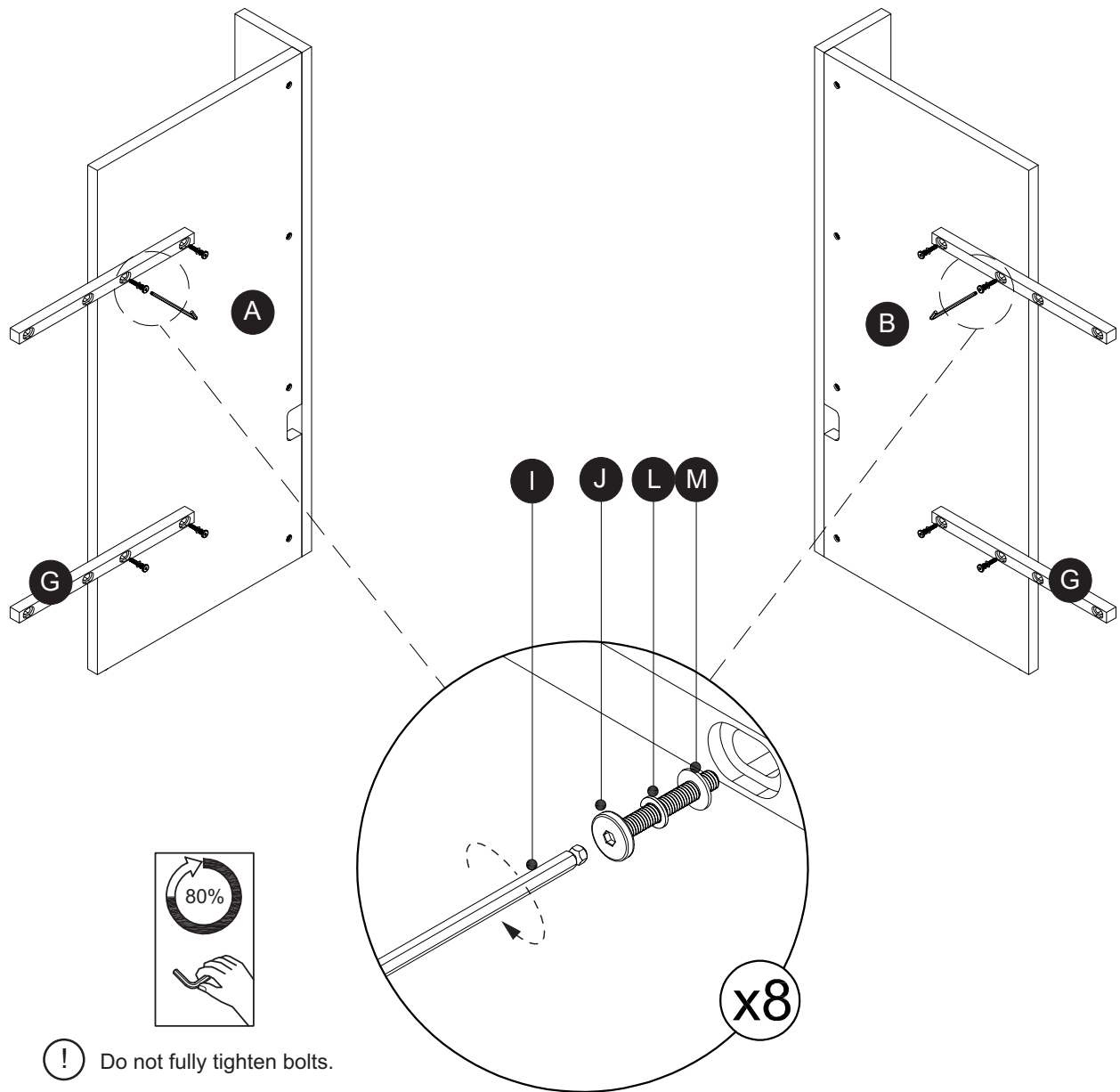


2

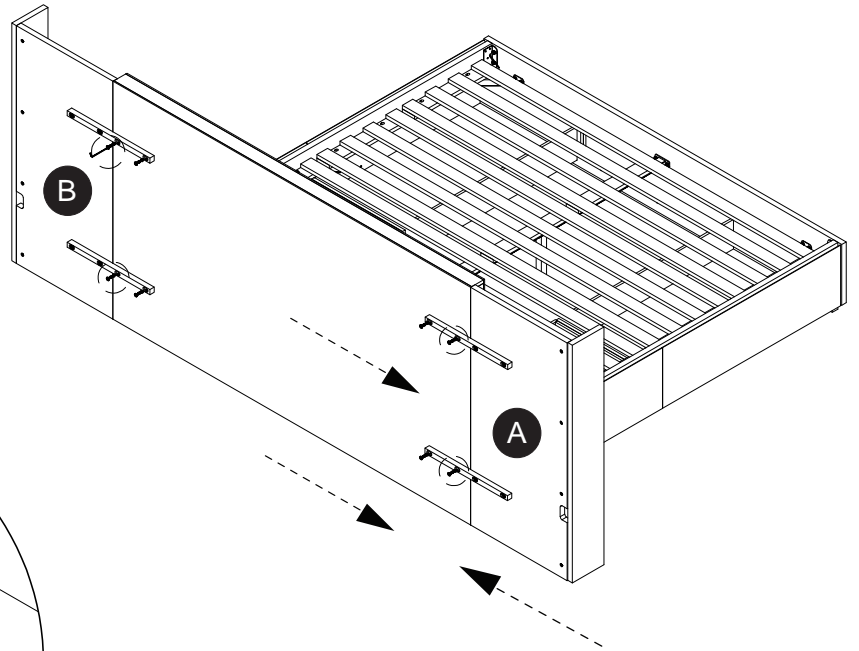
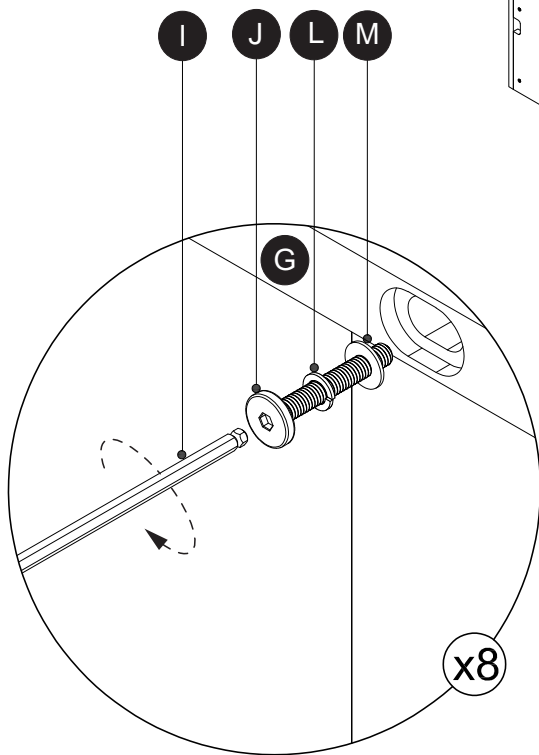


Note: Make sure line of barrel cam runs horizontal to top of side panel with hole facing outward as shown.

3



4

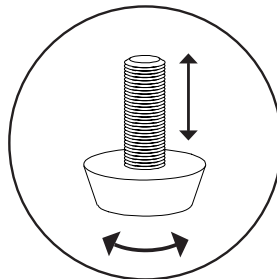


Adjust the Extensions so they lines up with the headboard

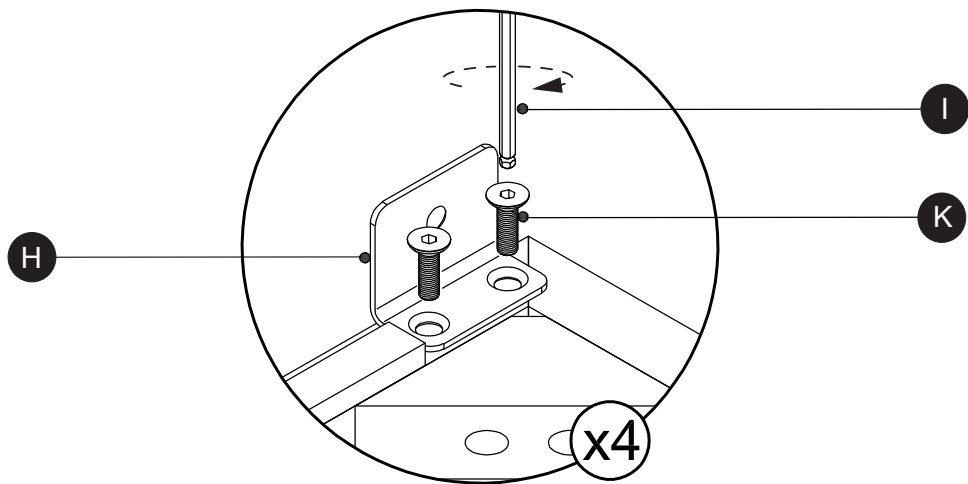
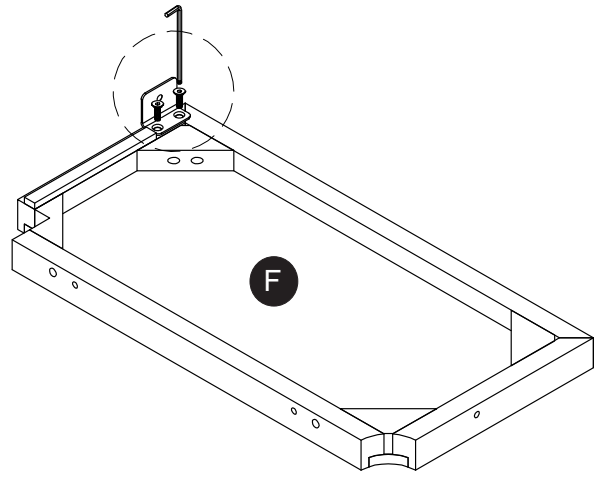
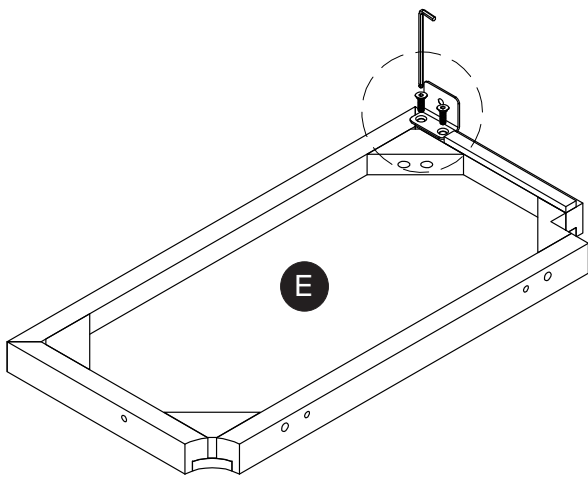


! Fully tighten all bolts

! Adjust levelers accordingly.

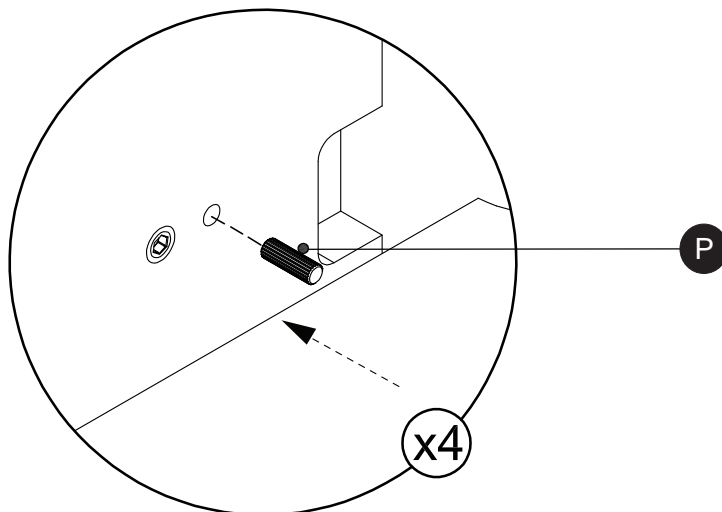
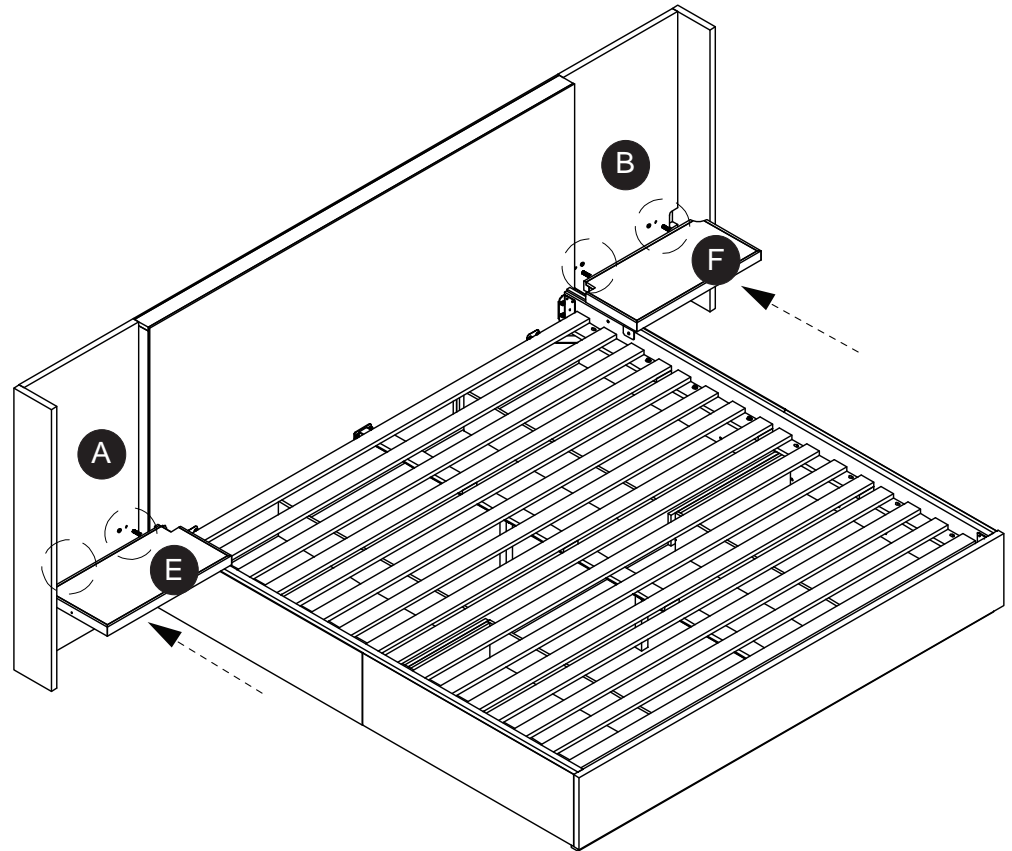


5

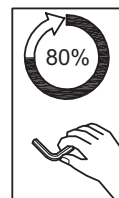
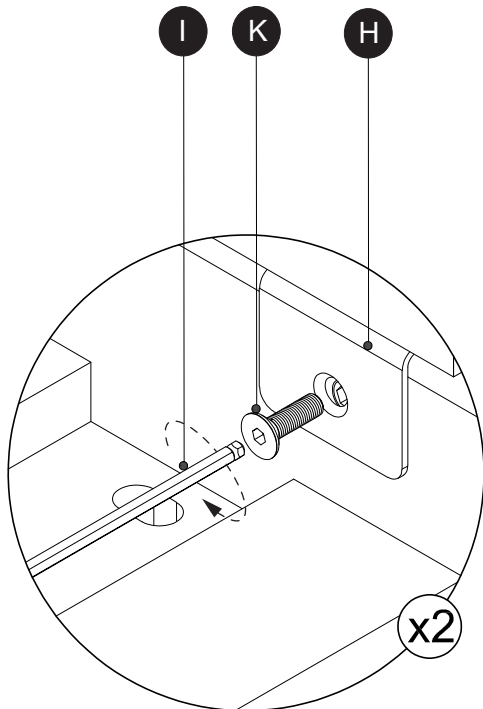
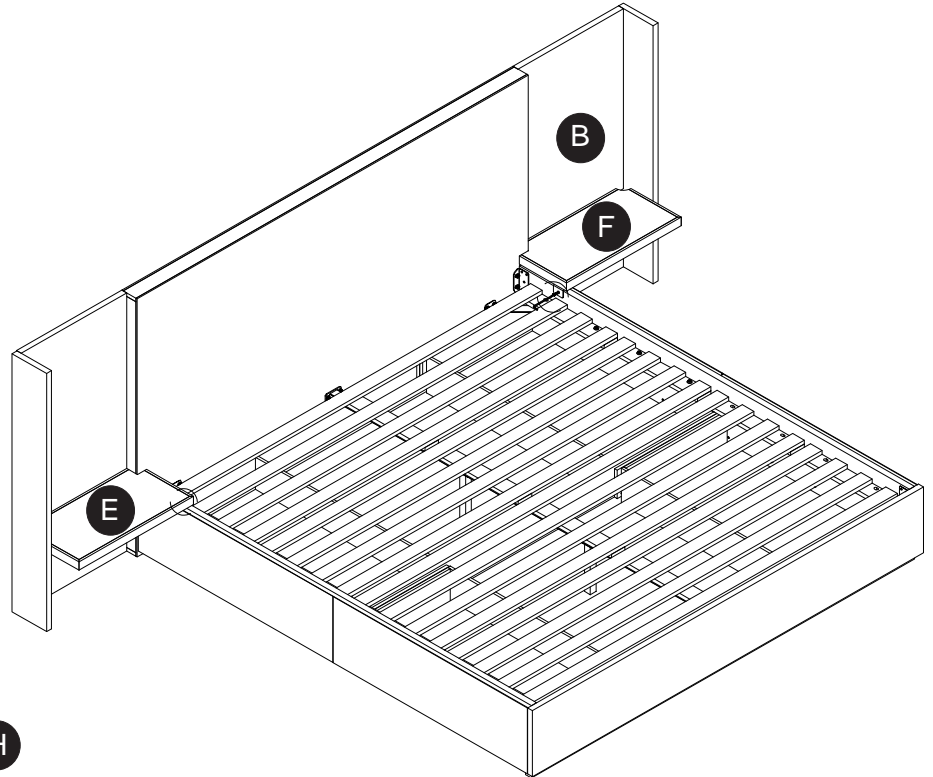


! Fully tighten all bolts

6

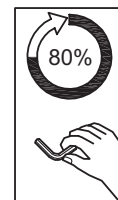
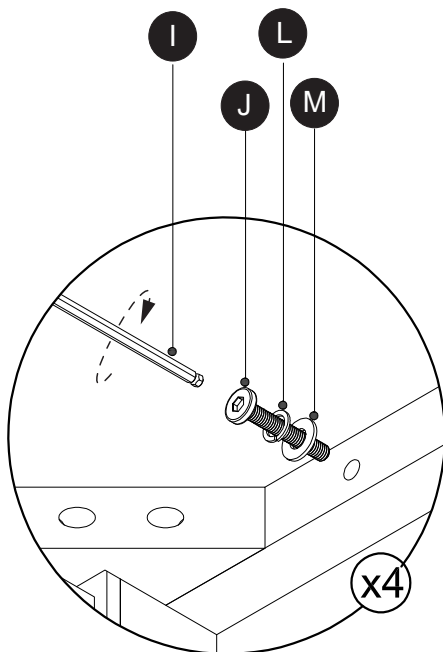
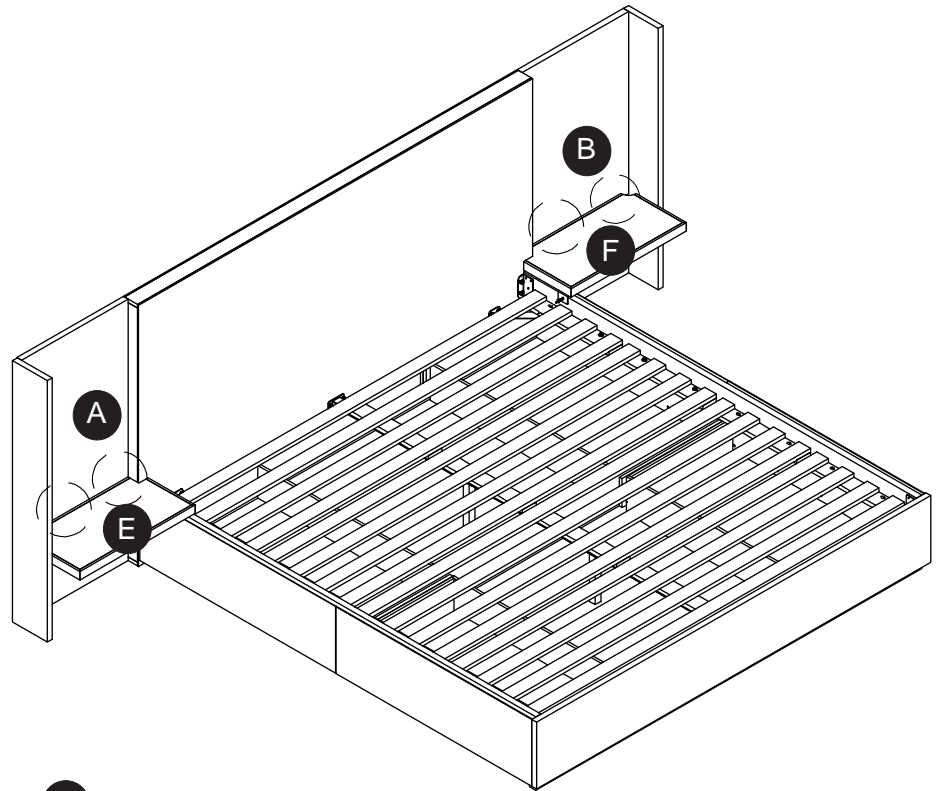


7



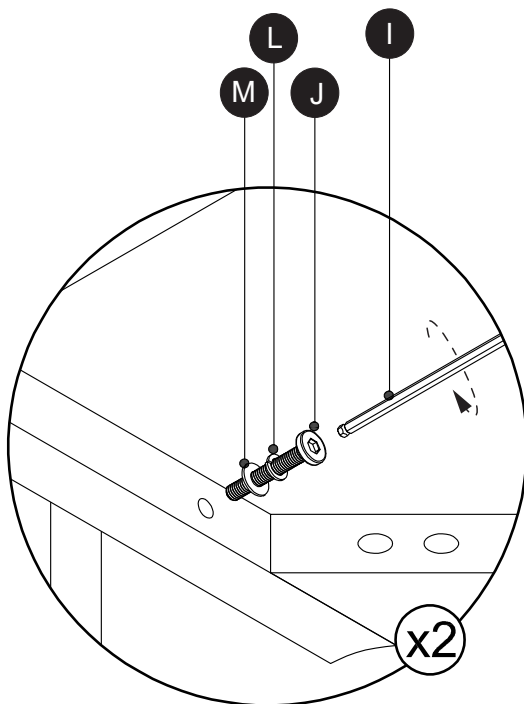
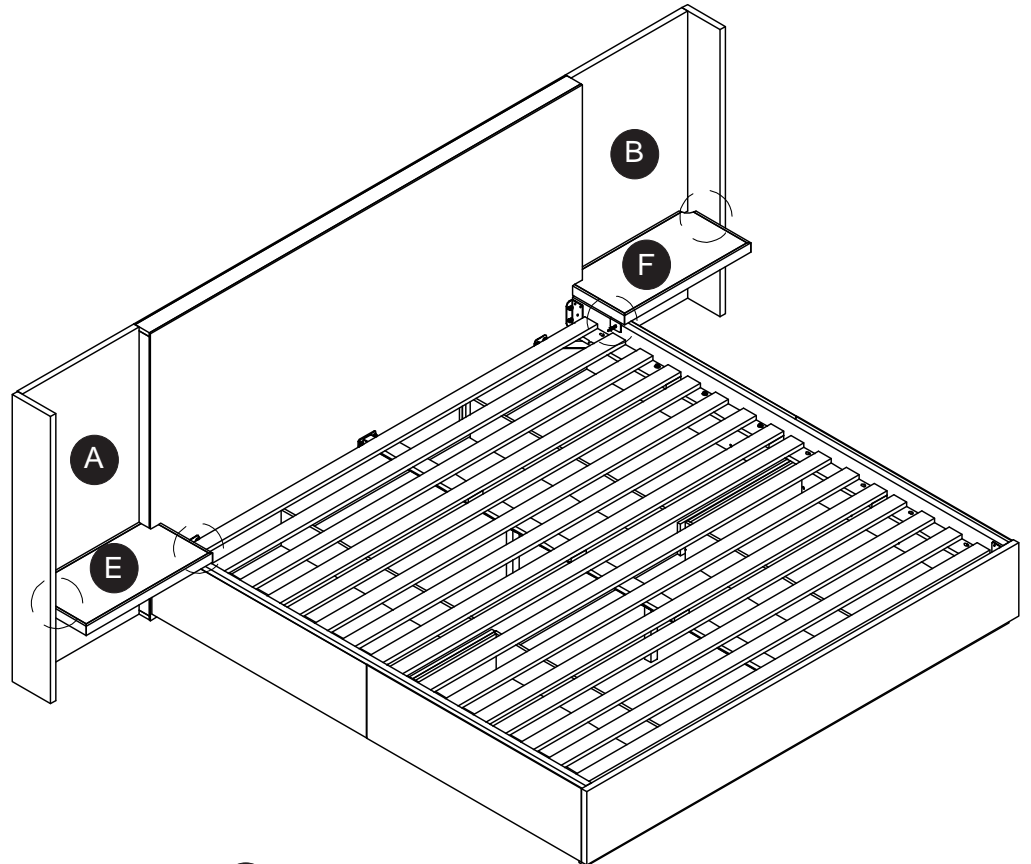
ⓘ Do not fully tighten bolts.

8



! Fully tighten all bolts

9



! Fully tighten all bolts