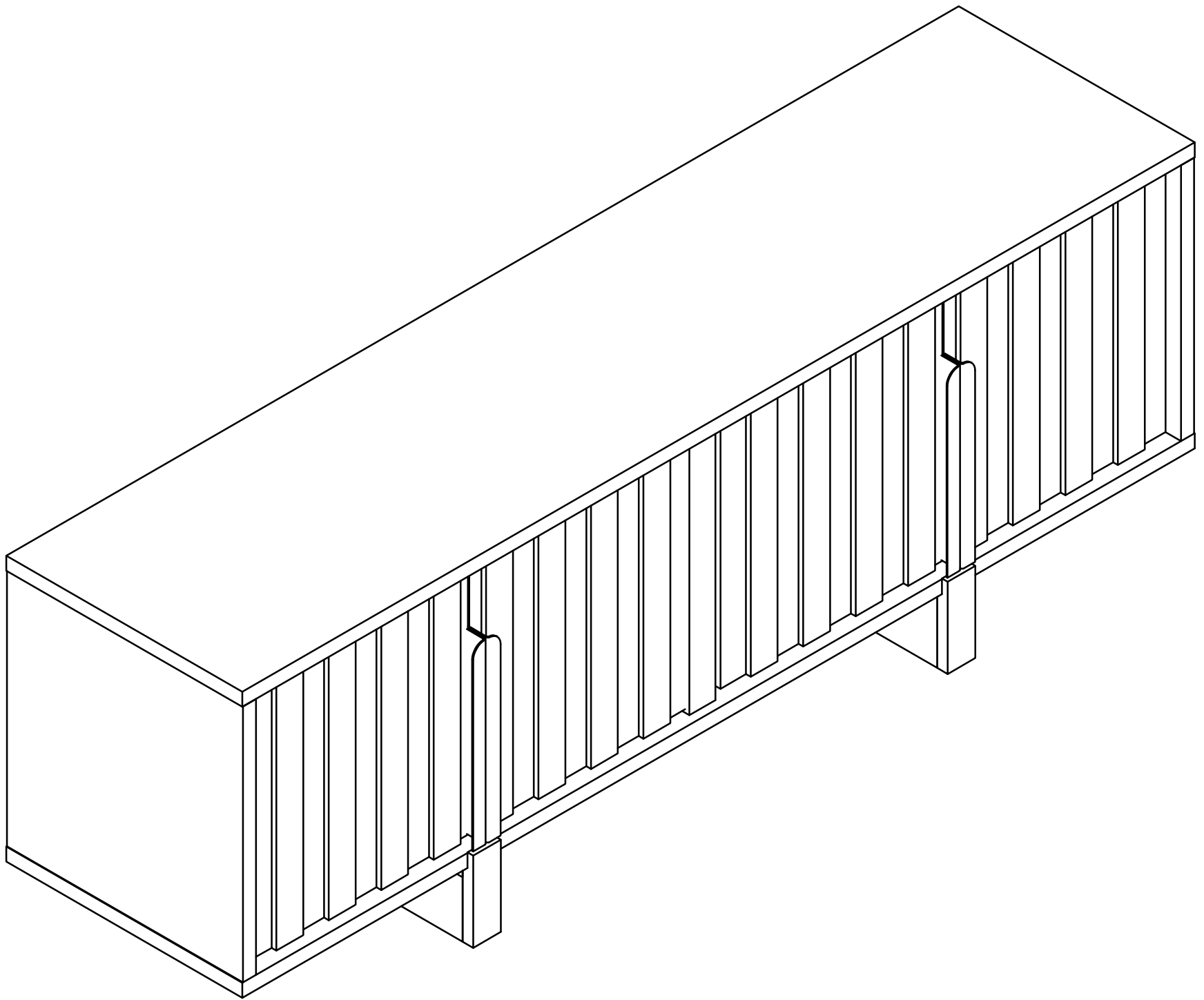


ARTICLE.

Assembly Instructions



FELIX MEDIA UNIT

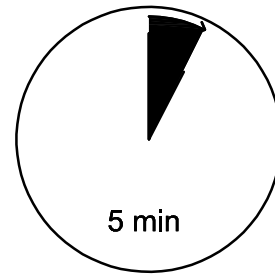
Cabinet

ASSEMBLY INSTRUCTIONS

Read these instructions carefully and keep for future reference. Refer to parts inventory for guidance, and ensure you have all pieces before starting.

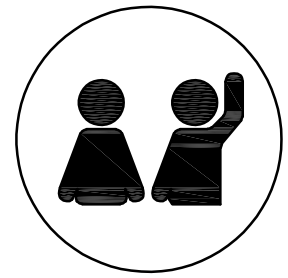
When assembling, place all parts on a soft, clean, and flat surface such as a carpet to prevent scratches.

If you're having difficulty, our friendly Customer Care team is always here to help. Call us at **1.888.746.3455** during business hours, email **service@article.com** or chat live at **article.com**.

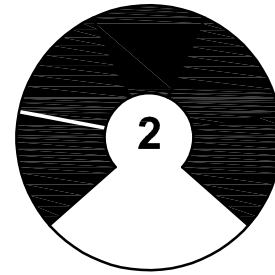


5 min

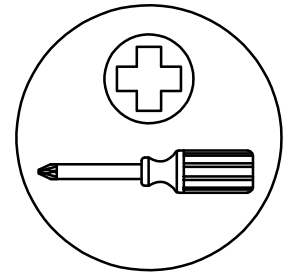
TIME



2 OF PEOPLE


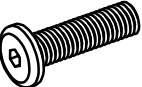



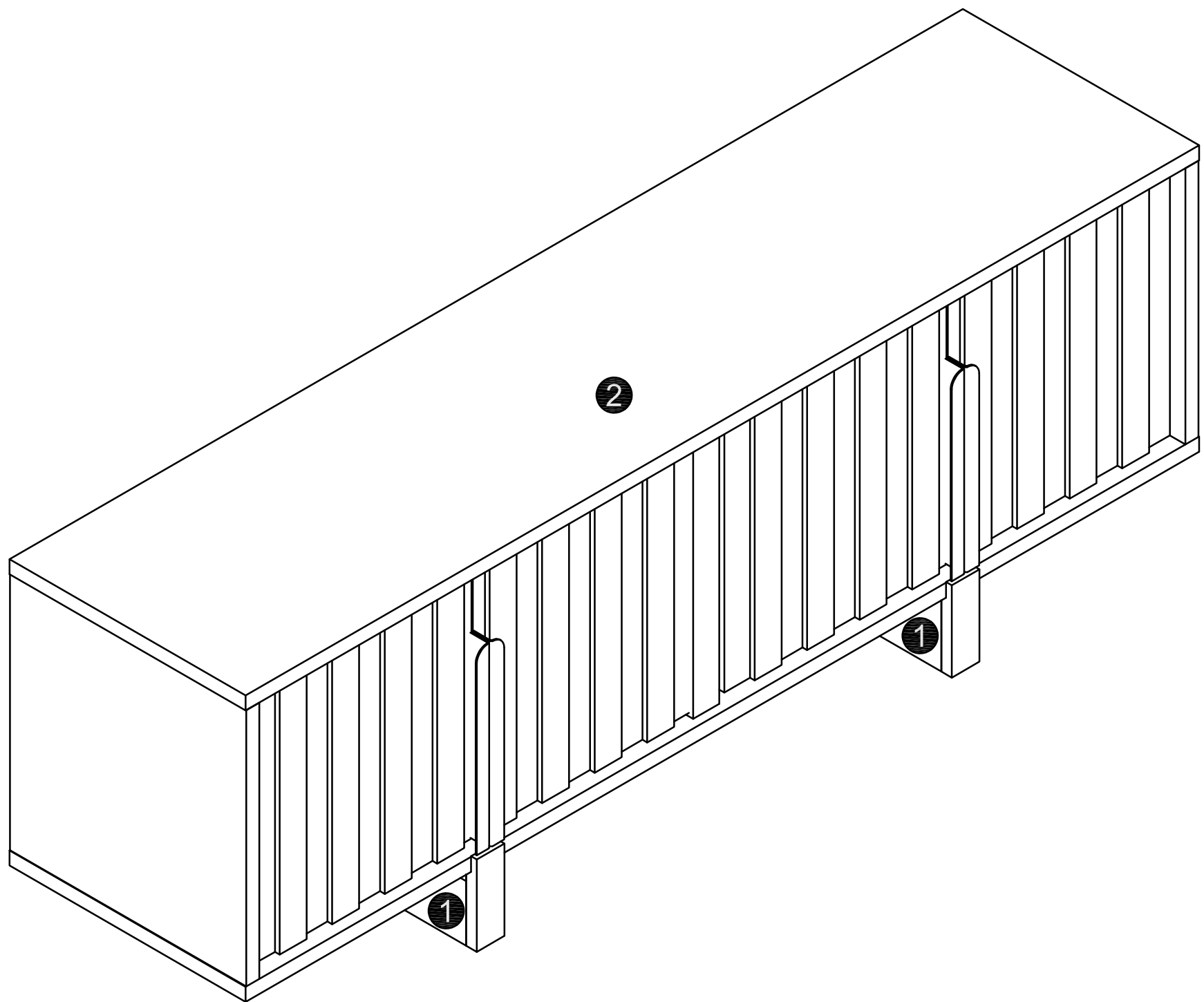
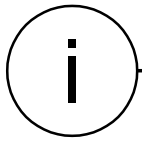
DIFFICULTY



REQUIRED TOOL

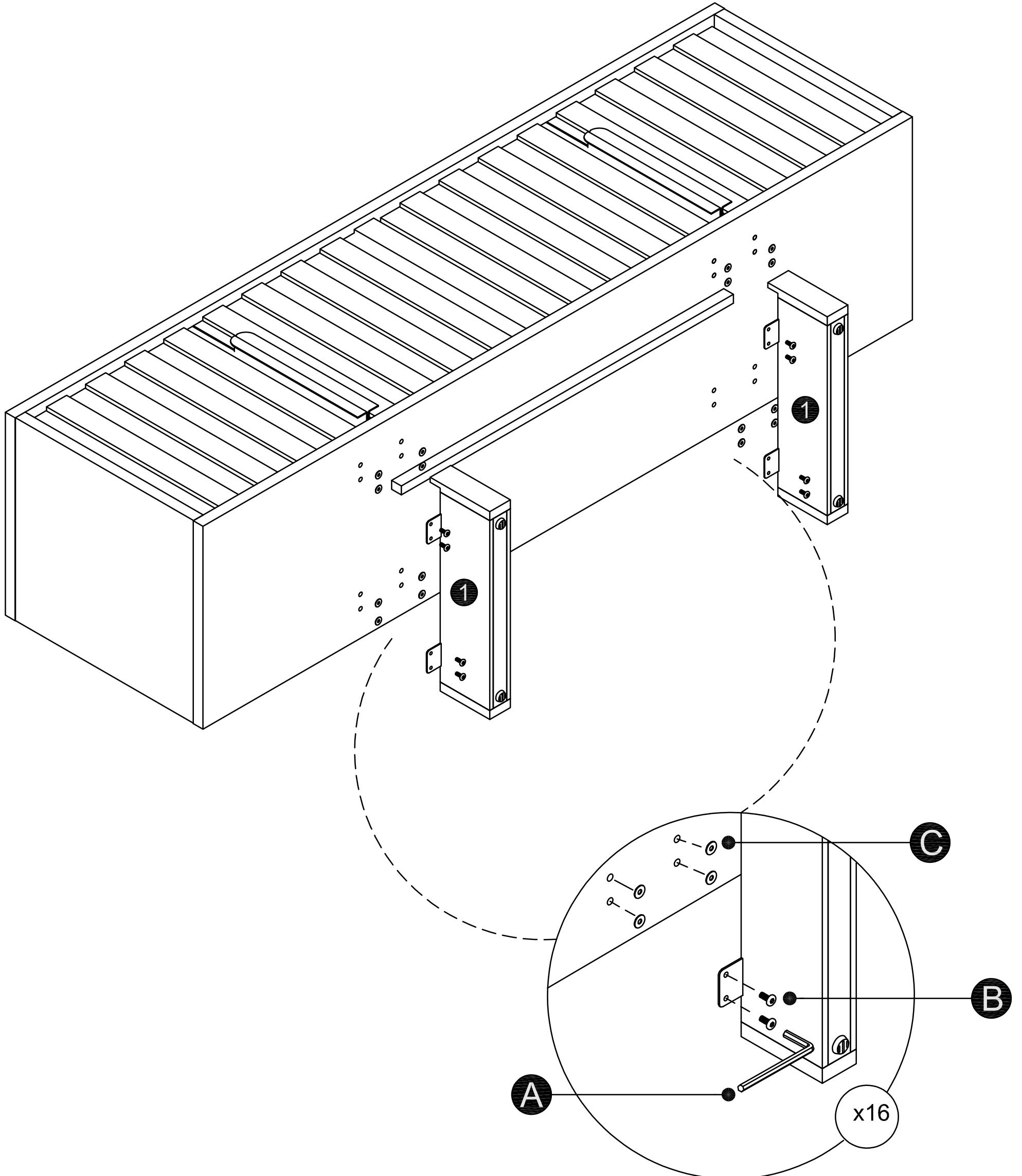
PARTS INVENTORY		
1	LEG	2
2	CABINET	1

PARTS INVENTORY			
A	ALLEN KEY		1
B	BOLT M6 x 20MM		16
C	WASHER M6		16



1

- i Assemble the Legs (1) to the Cabinet (2).
Align the Washers (C) to the insert nuts on the Cabinet (2), align the metal plates' holes on the Legs (1) with the washers & holes then assemble them using Bolts (B), and tighten by Allen Key (A).



2

- i Put the product up right, now the product is ready to use. Adjust the leveler to balance the product if needed.

